



US00D480490S

(12) **United States Design Patent**
Lai

(10) **Patent No.:** **US D480,490 S**

(45) **Date of Patent:** **** Oct. 7, 2003**

(54) **TORCH**

(76) Inventor: **Kevin Lai**, Flat N, 10F, Everest Industrial Center, 396 Kwun Tong Road, Kowloon, Hong Kong (CN)

(**) Term: **14 Years**

(21) Appl. No.: **29/171,270**

(22) Filed: **Nov. 19, 2002**

(51) **LOC (7) Cl.** **26-02**

(52) **U.S. Cl.** **D26/37**

(58) **Field of Search** D26/37-50; 362/157, 362/158, 171, 172, 173, 183-208

(56) **References Cited**

U.S. PATENT DOCUMENTS

D443,086 S * 5/2001 Van Klinken D26/37
D470,959 S * 2/2003 Lai D26/37

* cited by examiner

Primary Examiner—Marcus A. Jackson
(74) *Attorney, Agent, or Firm*—Sherman D. Pernia

(57) **CLAIM**

The ornamental design for a torch, as shown and described.

DESCRIPTION

FIG. 1 is a front view of an electric torch of my new design, with the broken line showing for illustrative purposes only and forming no part of the claimed design;

FIG. 2 is a back view thereof;

FIG. 3 is a bottom view thereof;

FIG. 4 is a top view thereof;

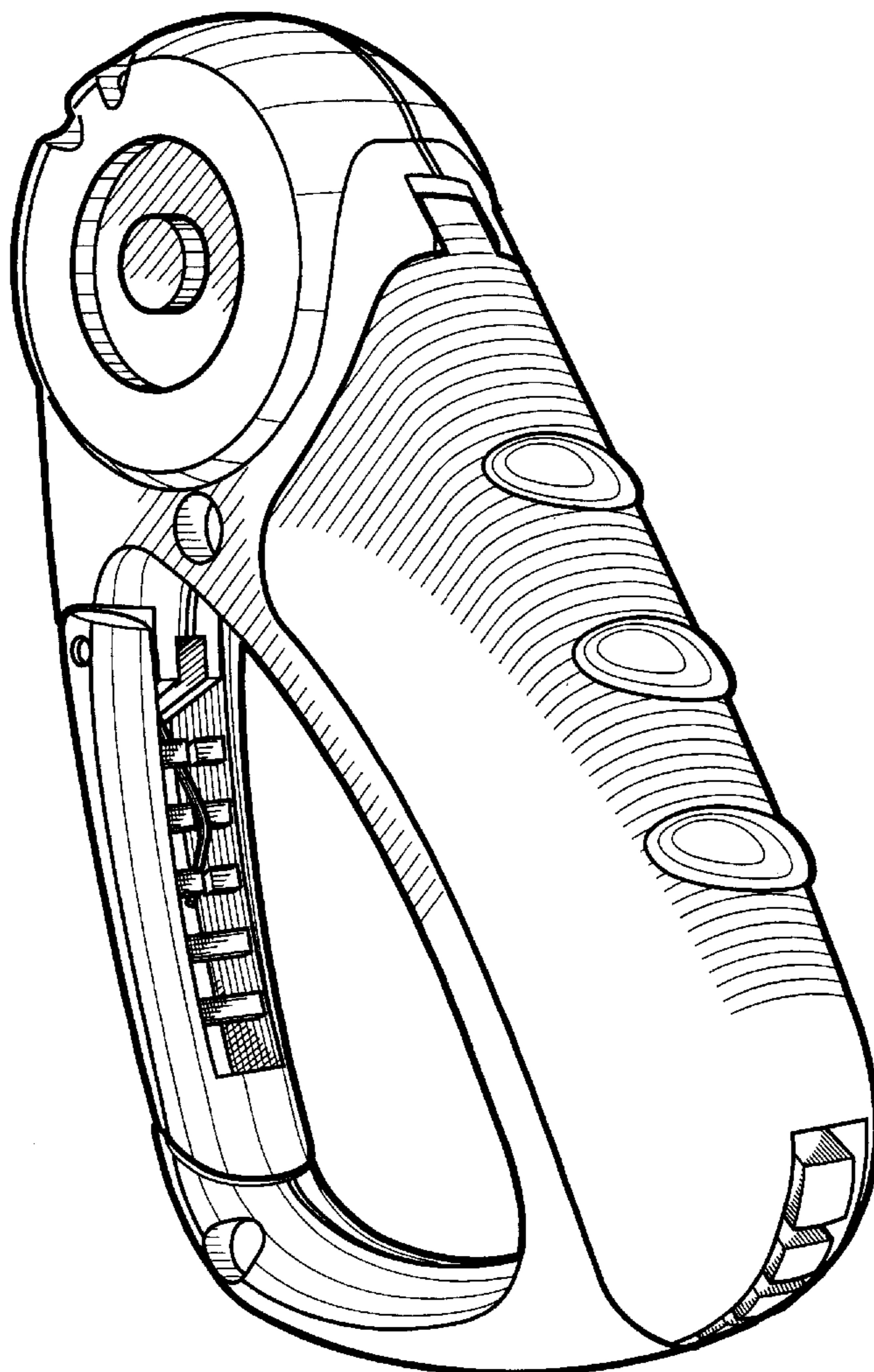
FIG. 5 is a left side view thereof;

FIG. 6 is a right side view thereof;

FIG. 7 is a perspective view of the left side, front thereof; and,

FIG. 8 is a perspective view of the right side, back of the electric torch.

1 Claim, 6 Drawing Sheets



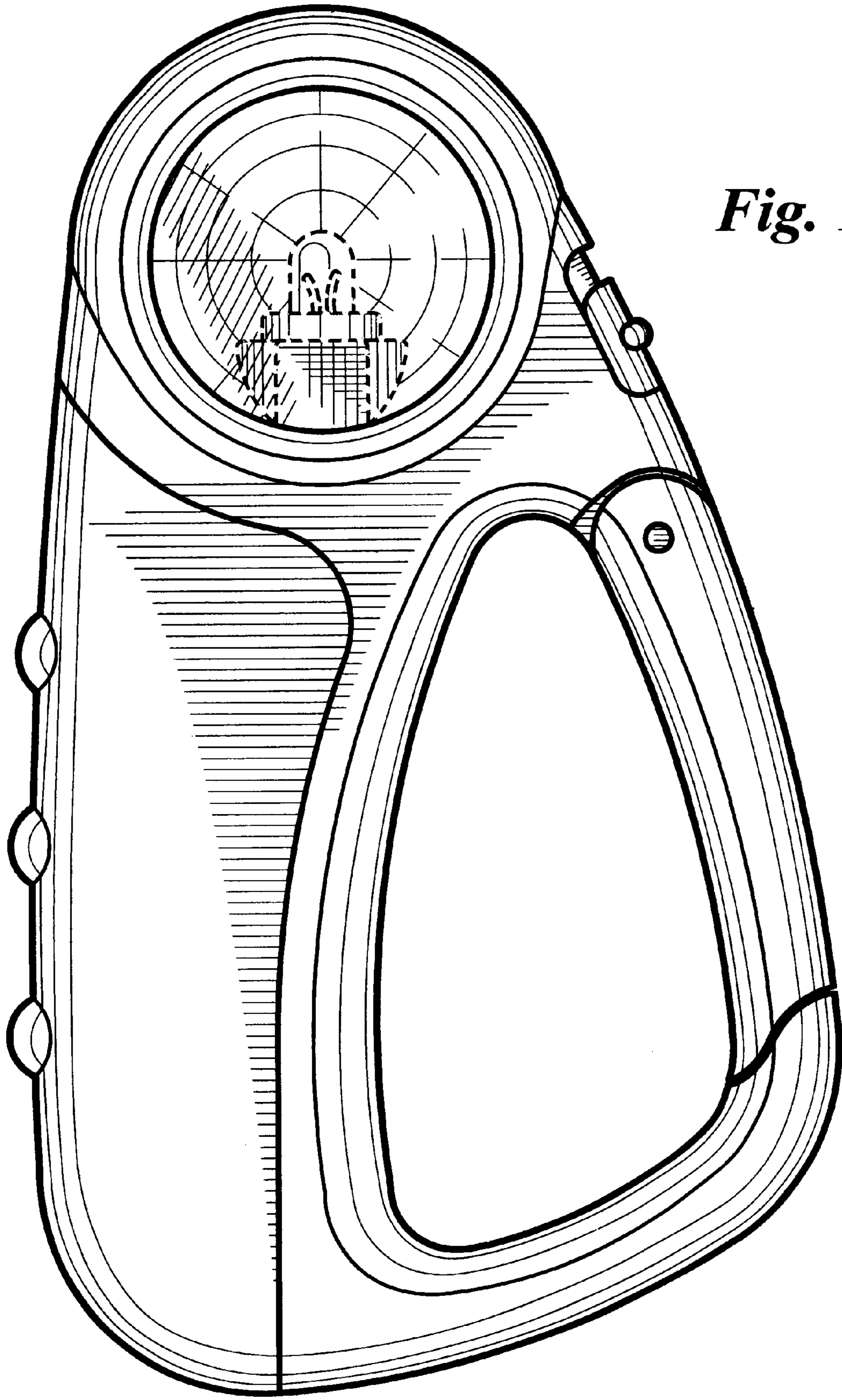
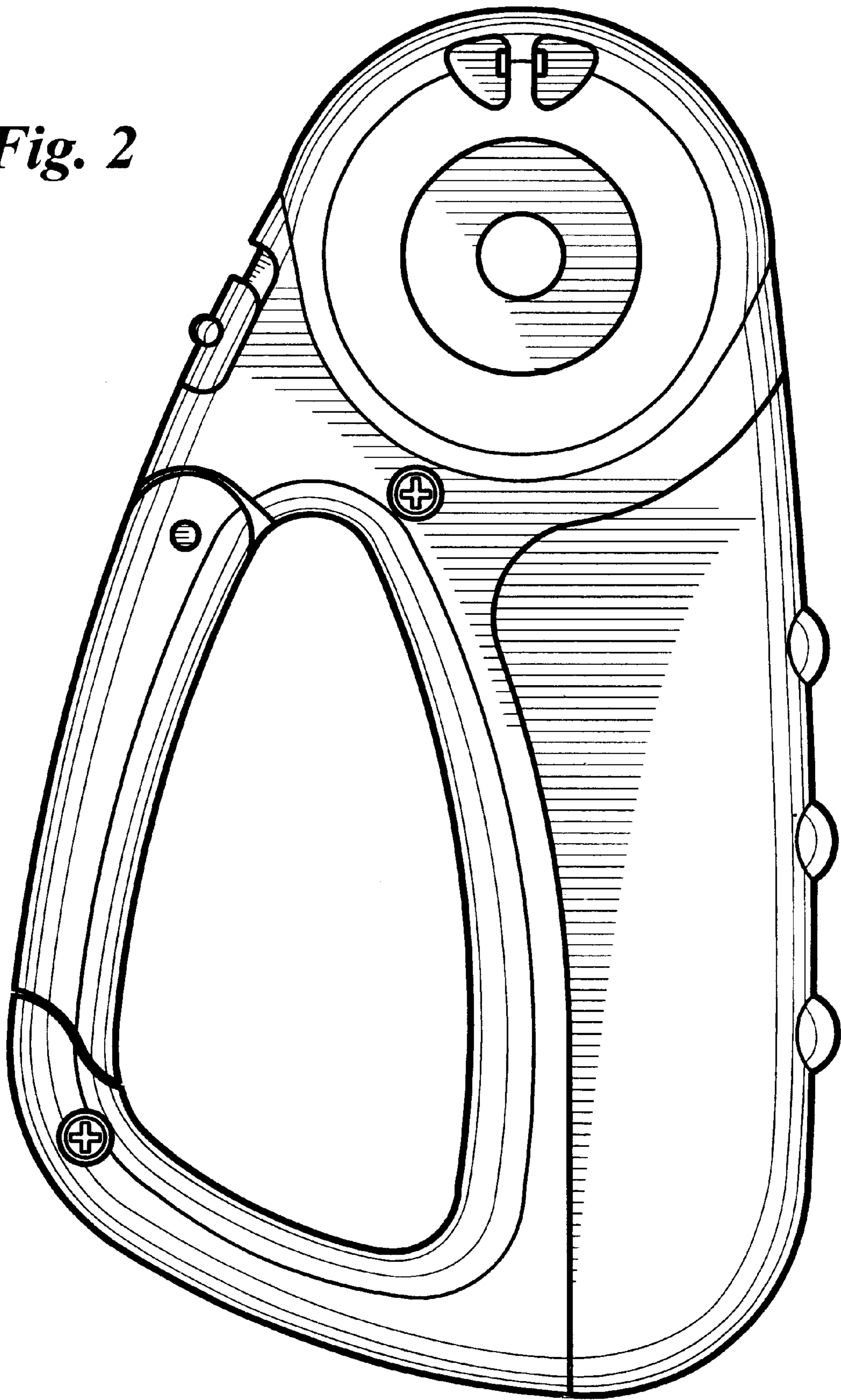


Fig. 1

Fig. 2



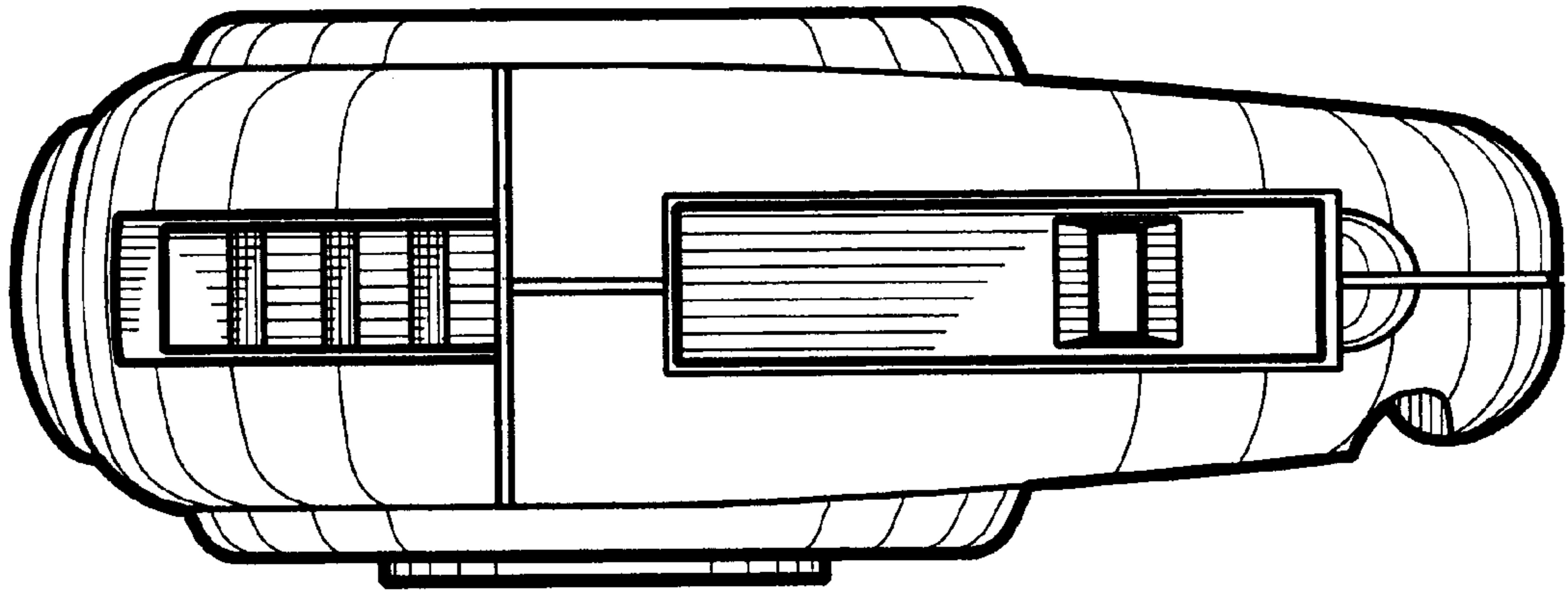


Fig. 3

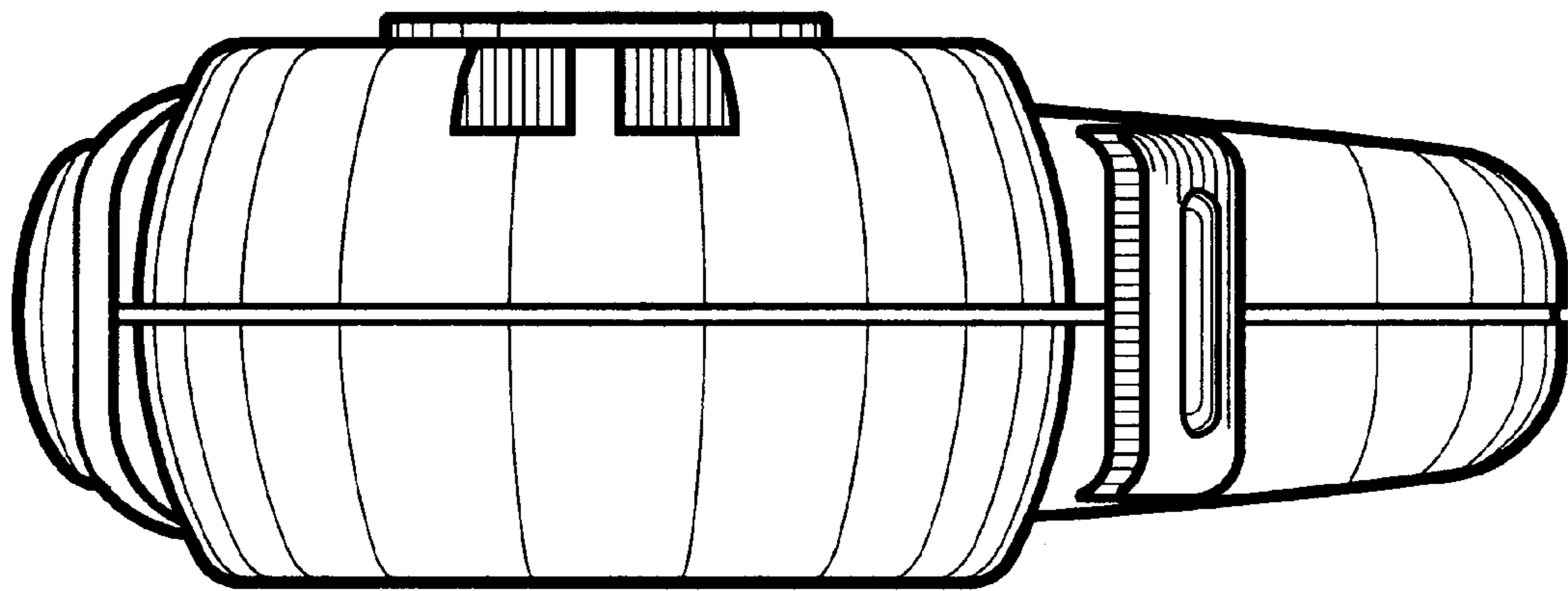


Fig. 4

Fig. 5

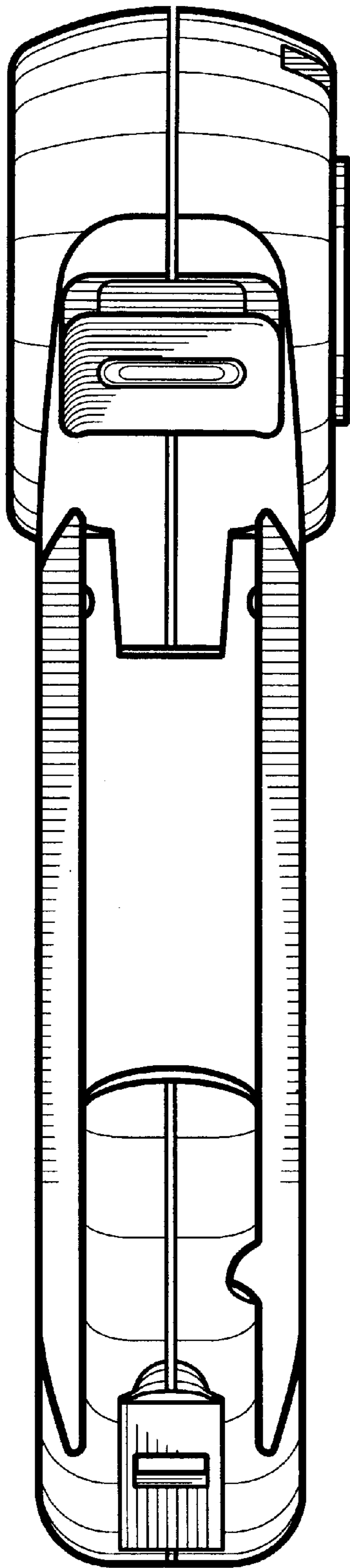


Fig. 6

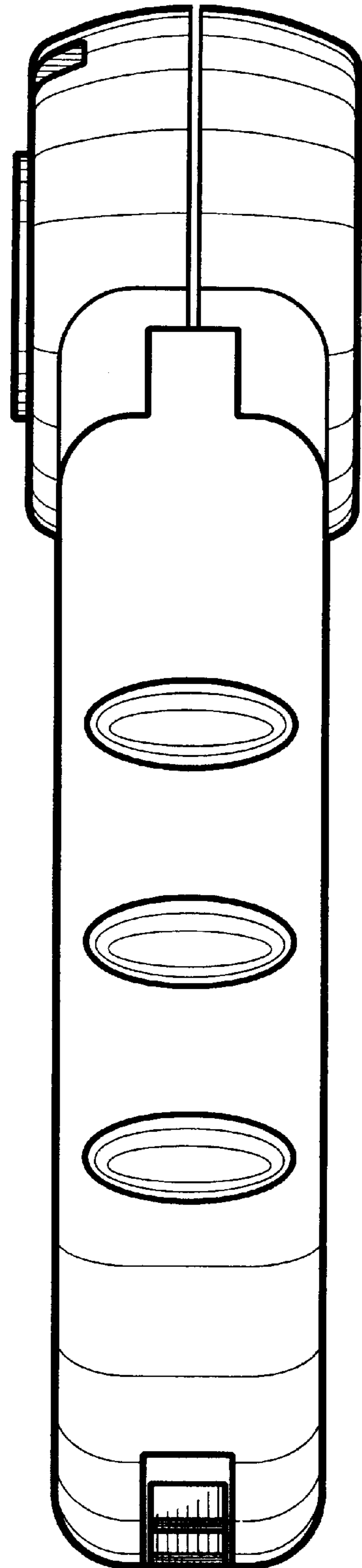
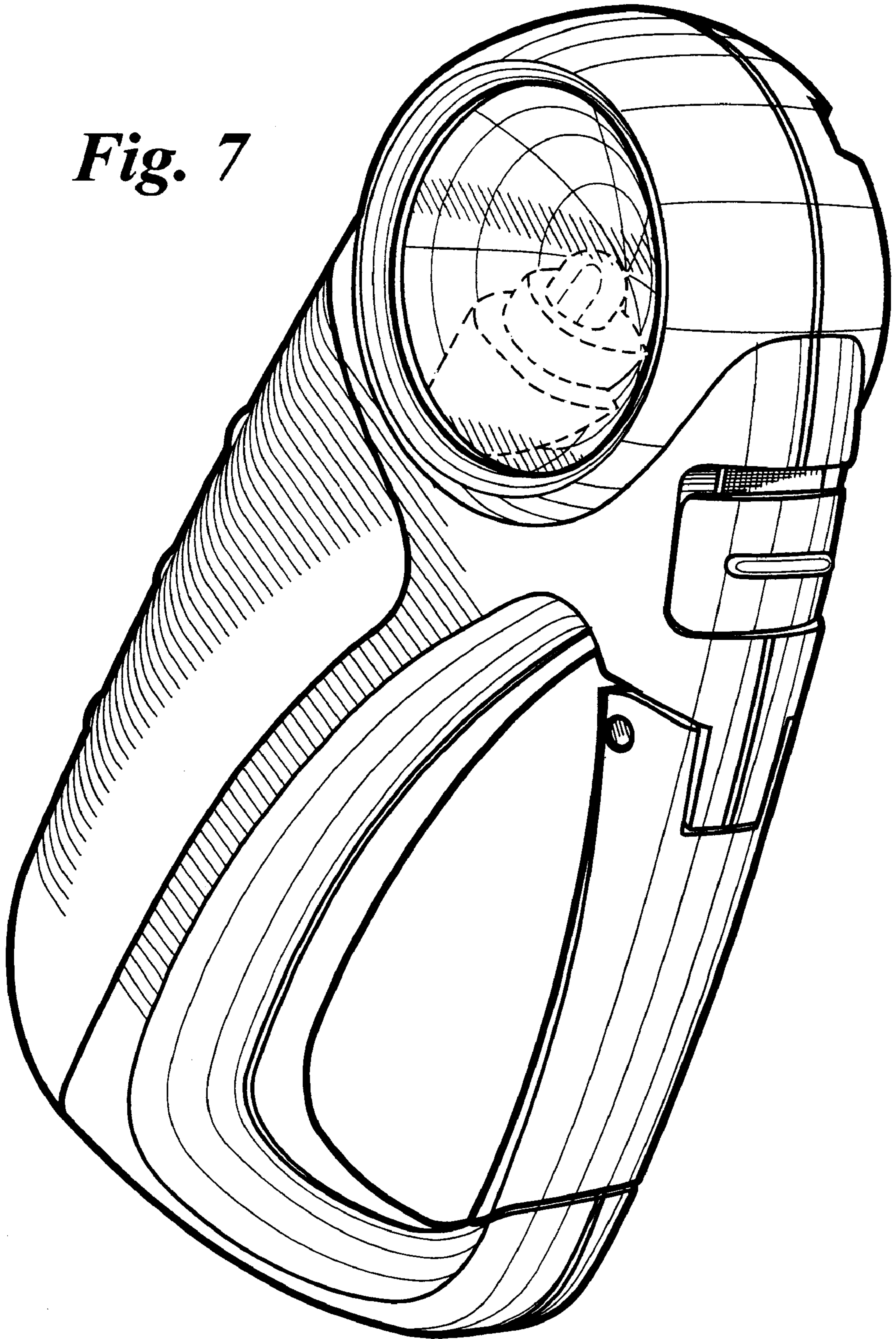


Fig. 7



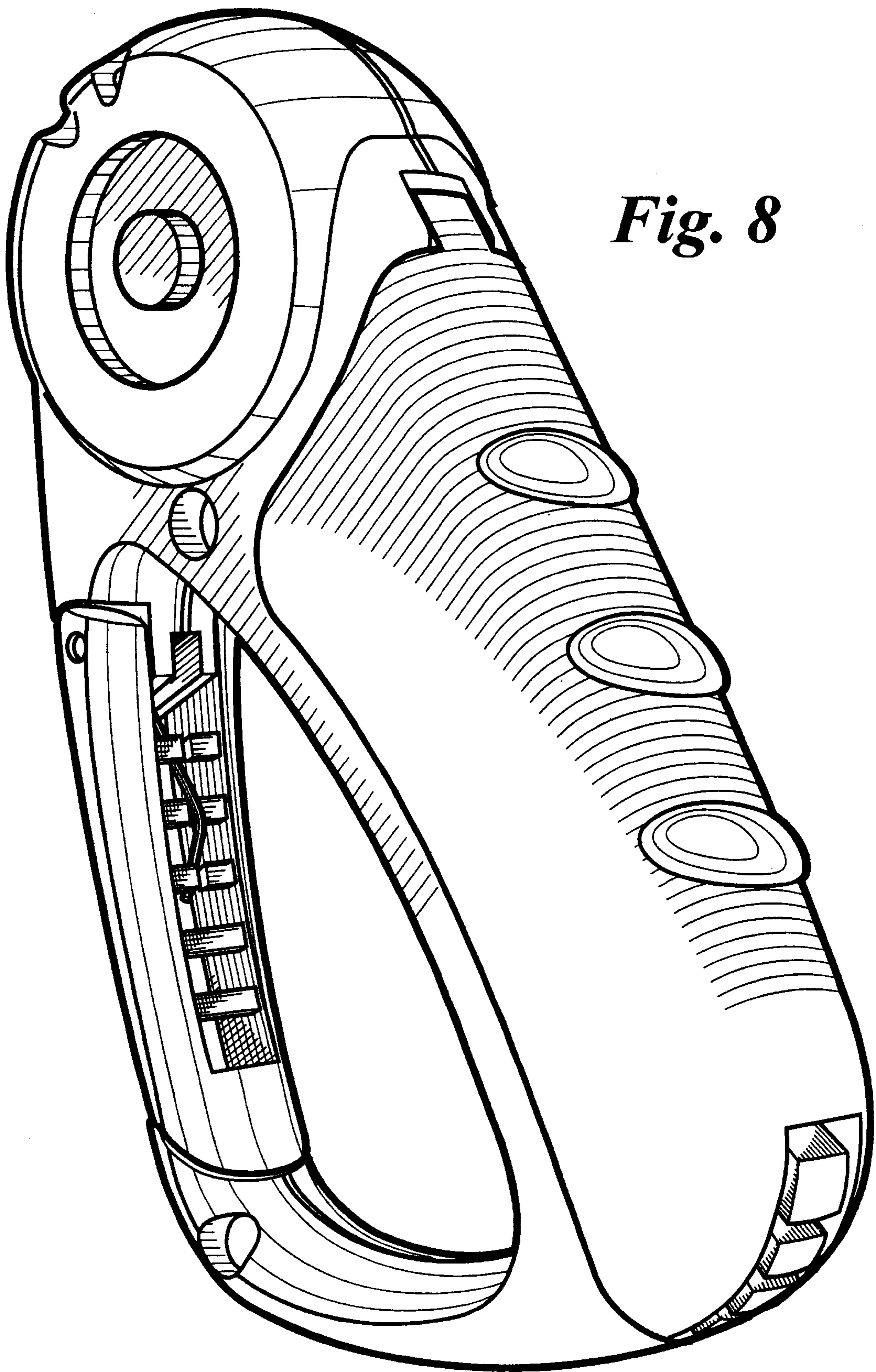


Fig. 8