



US00D480482S

(12) **United States Design Patent**
Savion et al.

(10) **Patent No.:** **US D480,482 S**

(45) **Date of Patent:** **** Oct. 7, 2003**

(54) **PLATE OF A KIT FOR THE ANALYSIS OF PLATELET FUNCTION AND BODY FLUID SPECIMENS**

(75) **Inventors:** **Naphtali Savion, Givat Shmuel (IL); Doron Lindner, Haifa (IL)**

(73) **Assignees:** **Ramot University Authority for Applied Research and Industrial Development Ltd., Tel Aviv (IL); David Varon, Kfar Bilu A (IL)**

(**) **Term:** **14 Years**

(21) **Appl. No.:** **29/175,731**

(22) **Filed:** **Feb. 10, 2003**

Related U.S. Application Data

(62) Division of application No. 29/150,519, filed on Nov. 5, 2001.

(51) **LOC (7) Cl.** **24-01**

(52) **U.S. Cl.** **D24/216; D24/224**

(58) **Field of Search** **D24/224, 232, D24/216, 162; 422/102, 101, 104; 435/297.5, 305.1, 304.4, 305.2, 284, 285, 305.3, 288.1, 288.3, 288.4**

(56) **References Cited**

U.S. PATENT DOCUMENTS

4,324,859 A * 4/1982 Saxholm 435/297.5
4,990,253 A * 2/1991 Vcelka 422/101
5,391,150 A * 2/1995 Richmond 604/111
D360,698 S * 7/1995 Stevens et al. D24/224
5,578,492 A * 11/1996 Fedun 435/297.5

* cited by examiner

Primary Examiner—Ian Simmons

(74) *Attorney, Agent, or Firm*—Ladas & Parry

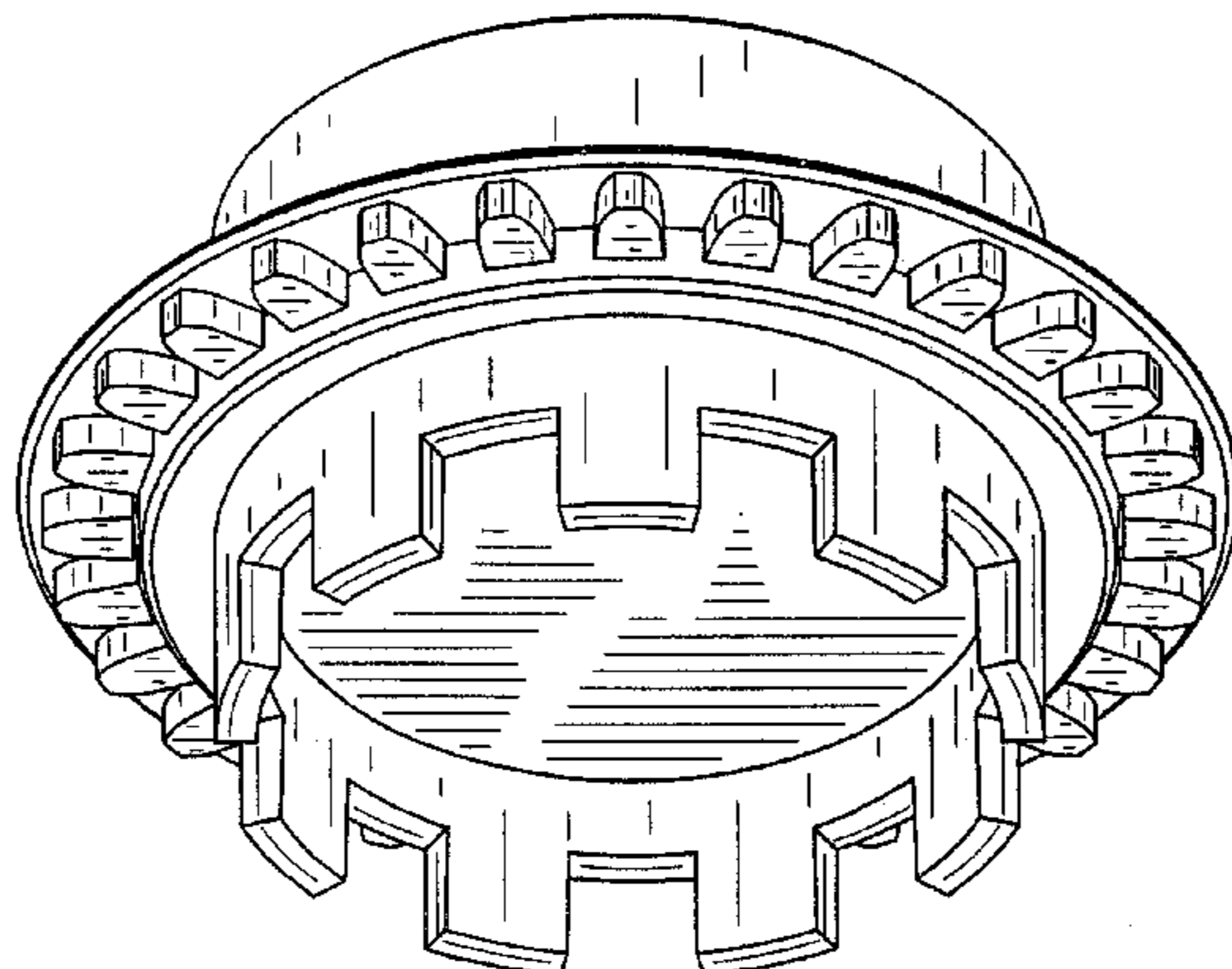
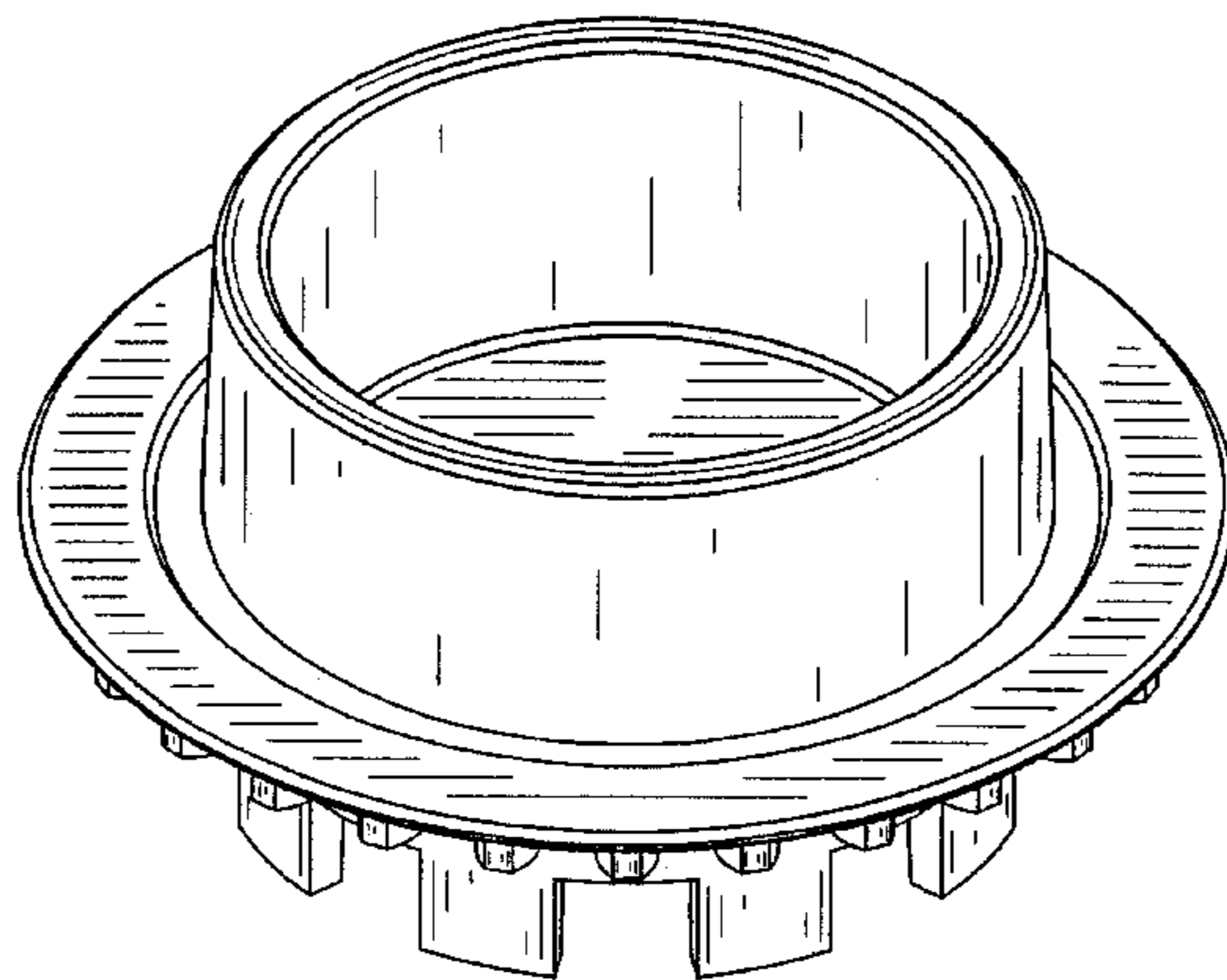
(57) **CLAIM**

The ornamental design for a plate of a kit for the analysis of platelet function and body fluid specimens, as shown.

DESCRIPTION

FIG. 1 is a top perspective view of a plate of a kit for the analysis of platelet function and bodily fluid specimens; FIG. 2 is a bottom perspective view of the plate; FIG. 3 is a front view of the plate; FIG. 4 is a rear view of the plate; FIG. 5 is a top plan view of the plate; FIG. 6 is a bottom plan view of the plate; FIG. 7 is a right side view of the plate; and, FIG. 8 is a left side view of the plate.

1 Claim, 4 Drawing Sheets



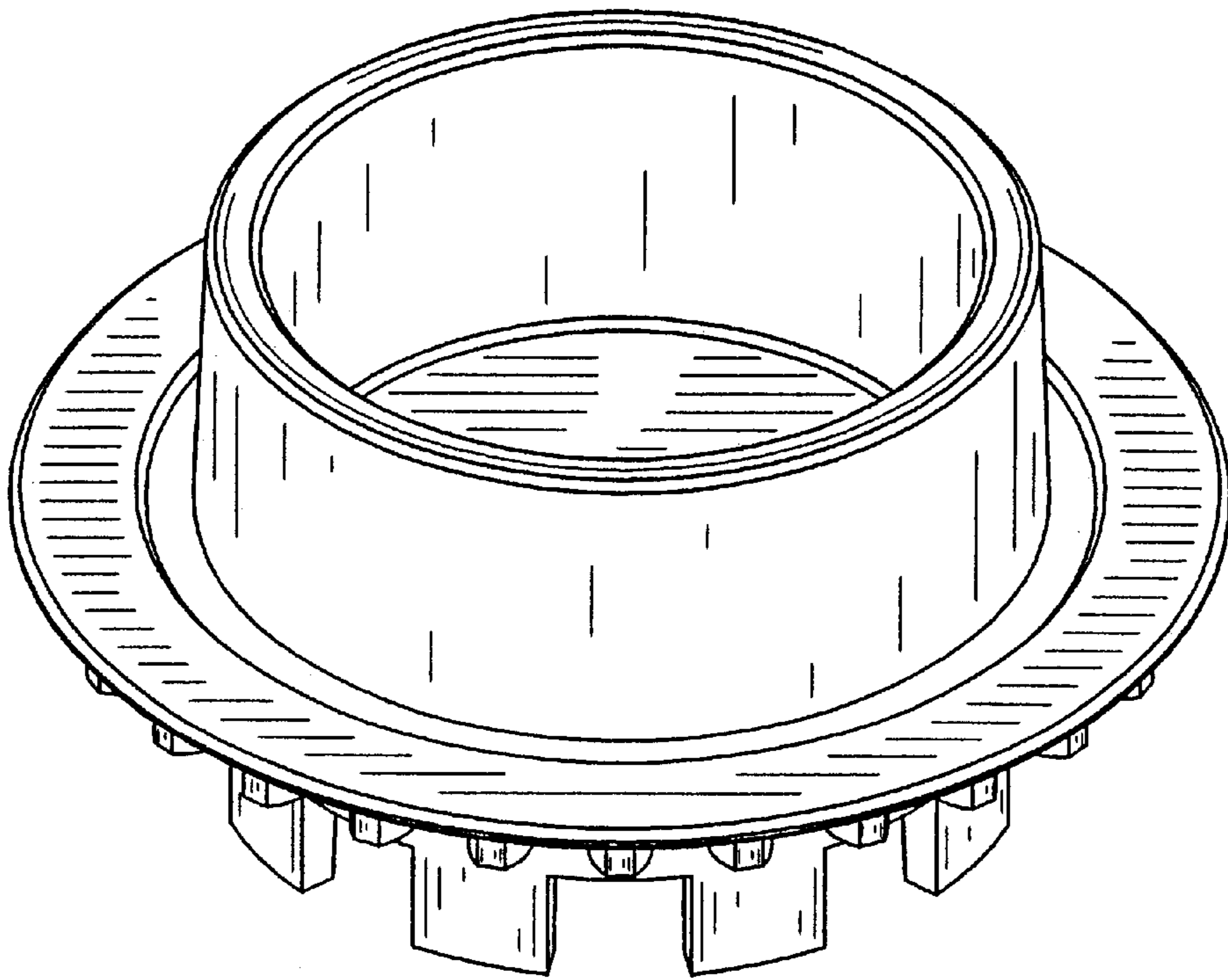


FIG. 1

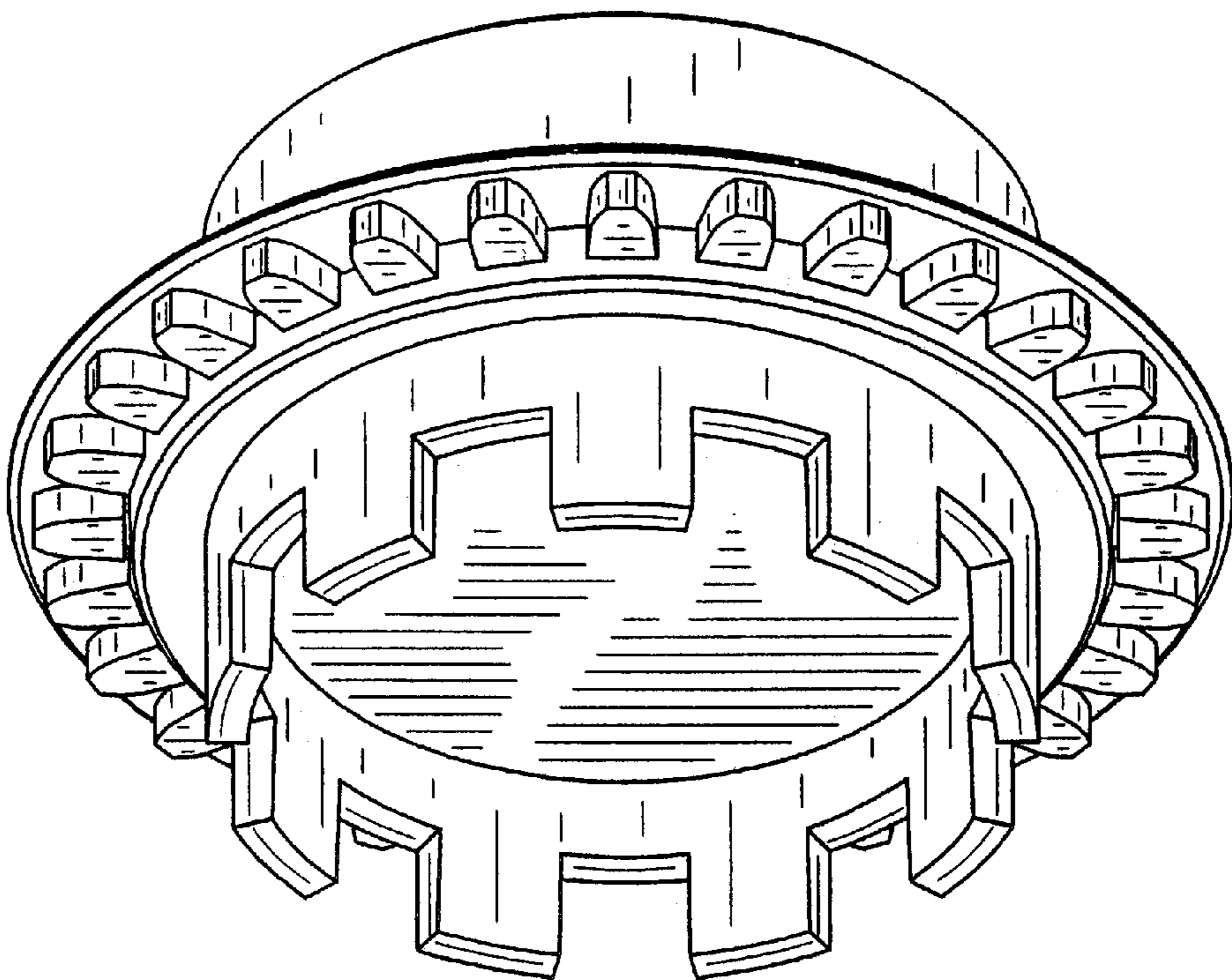


FIG. 2

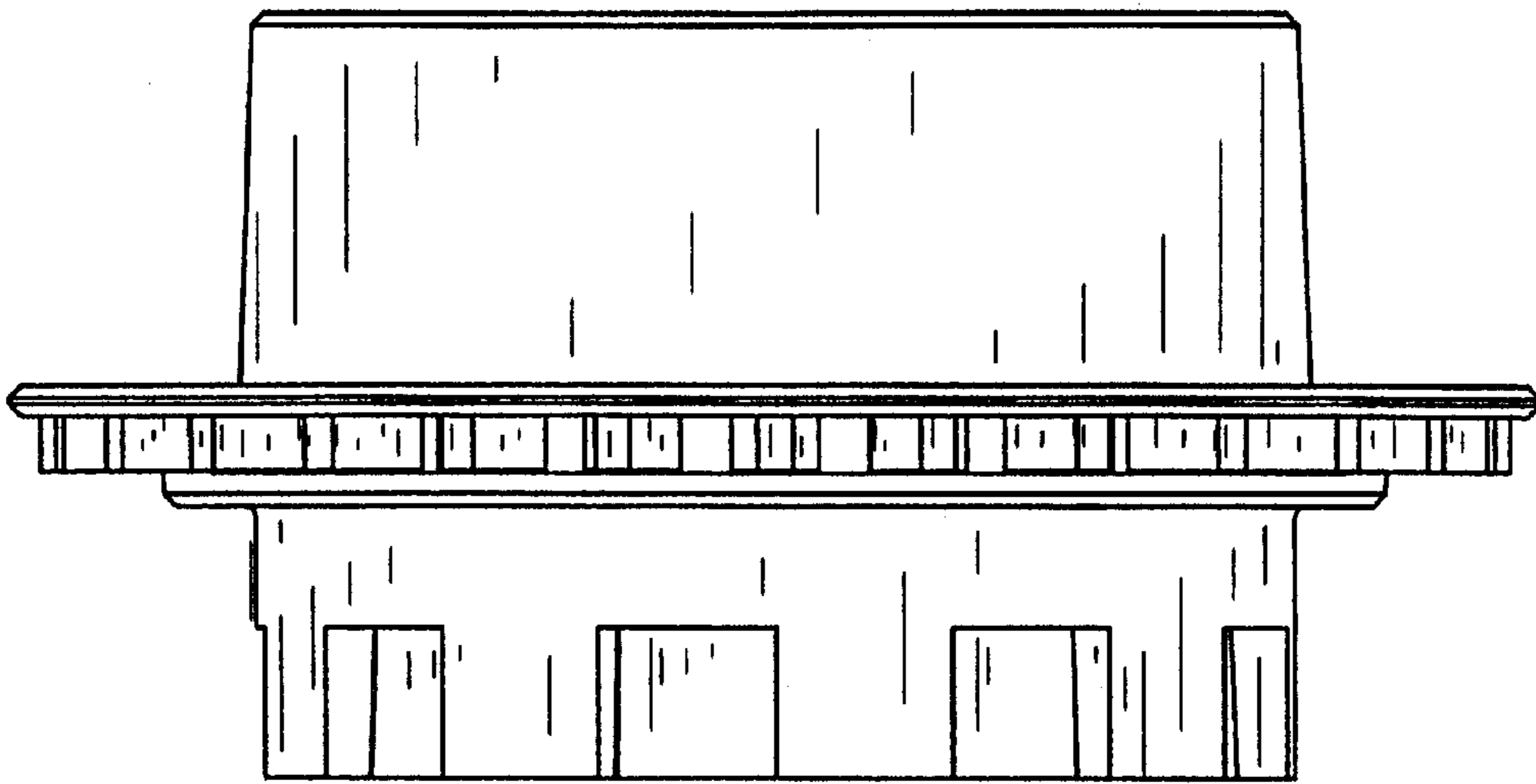


FIG. 3

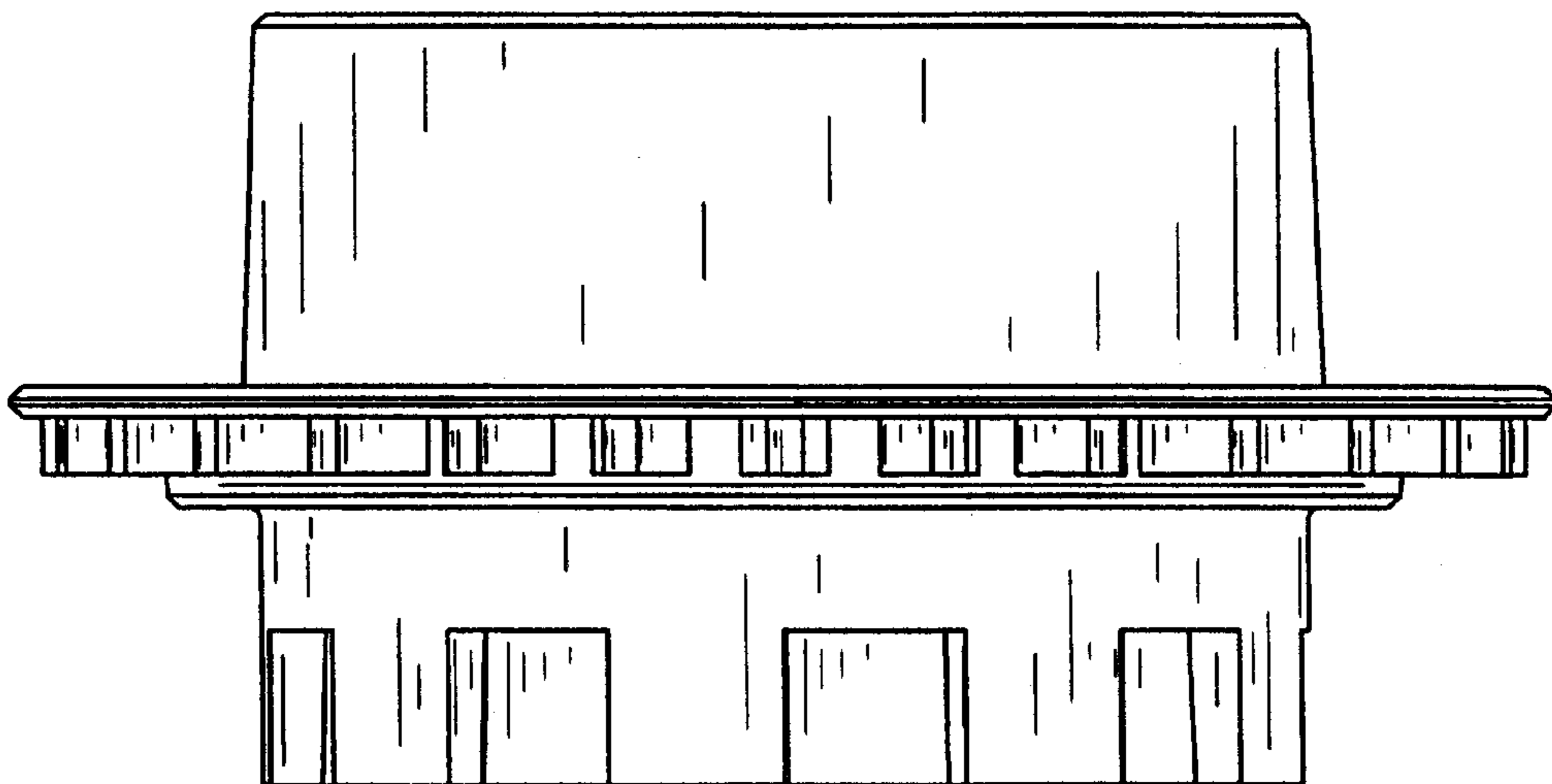


FIG. 4

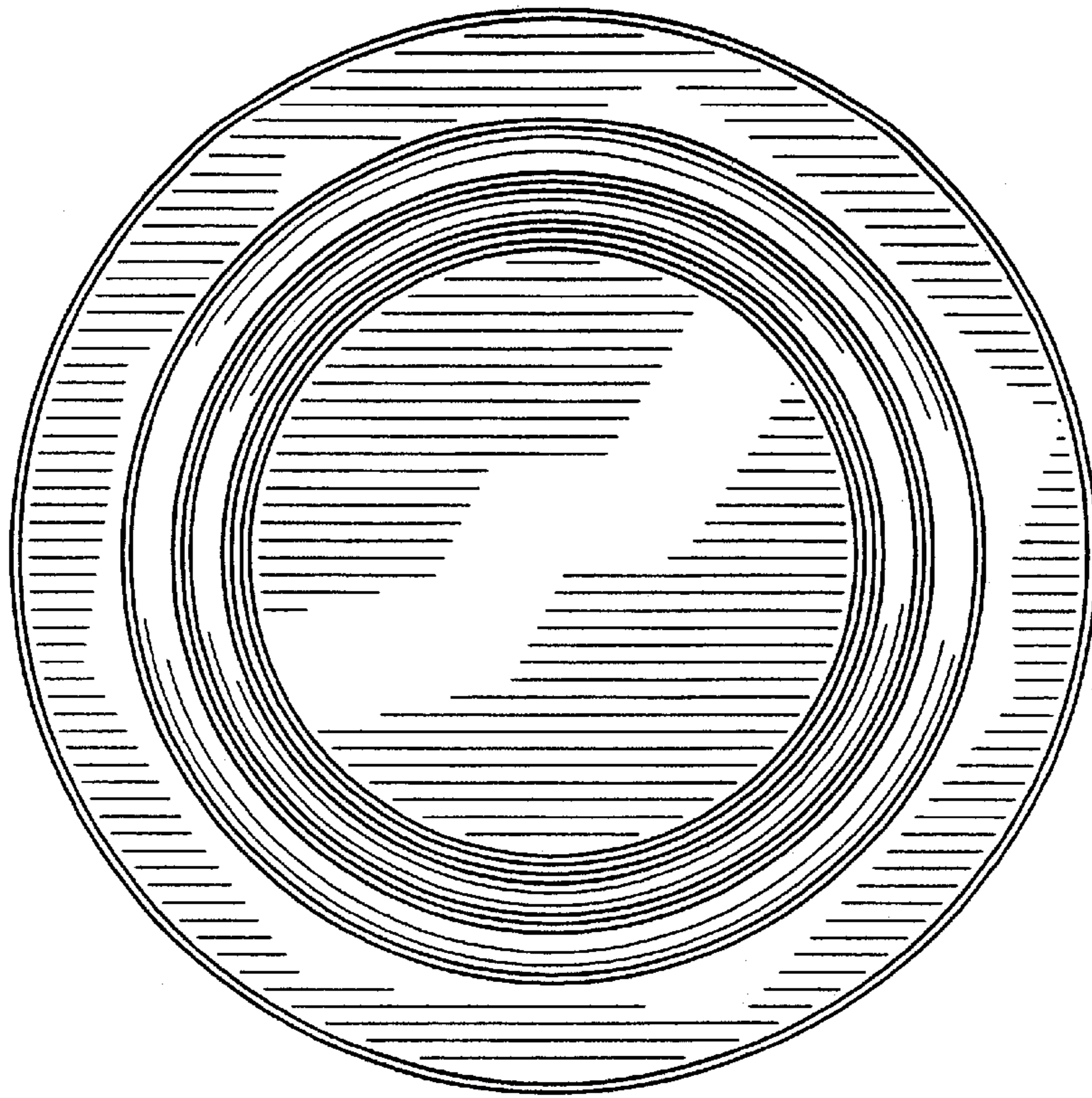


FIG. 5

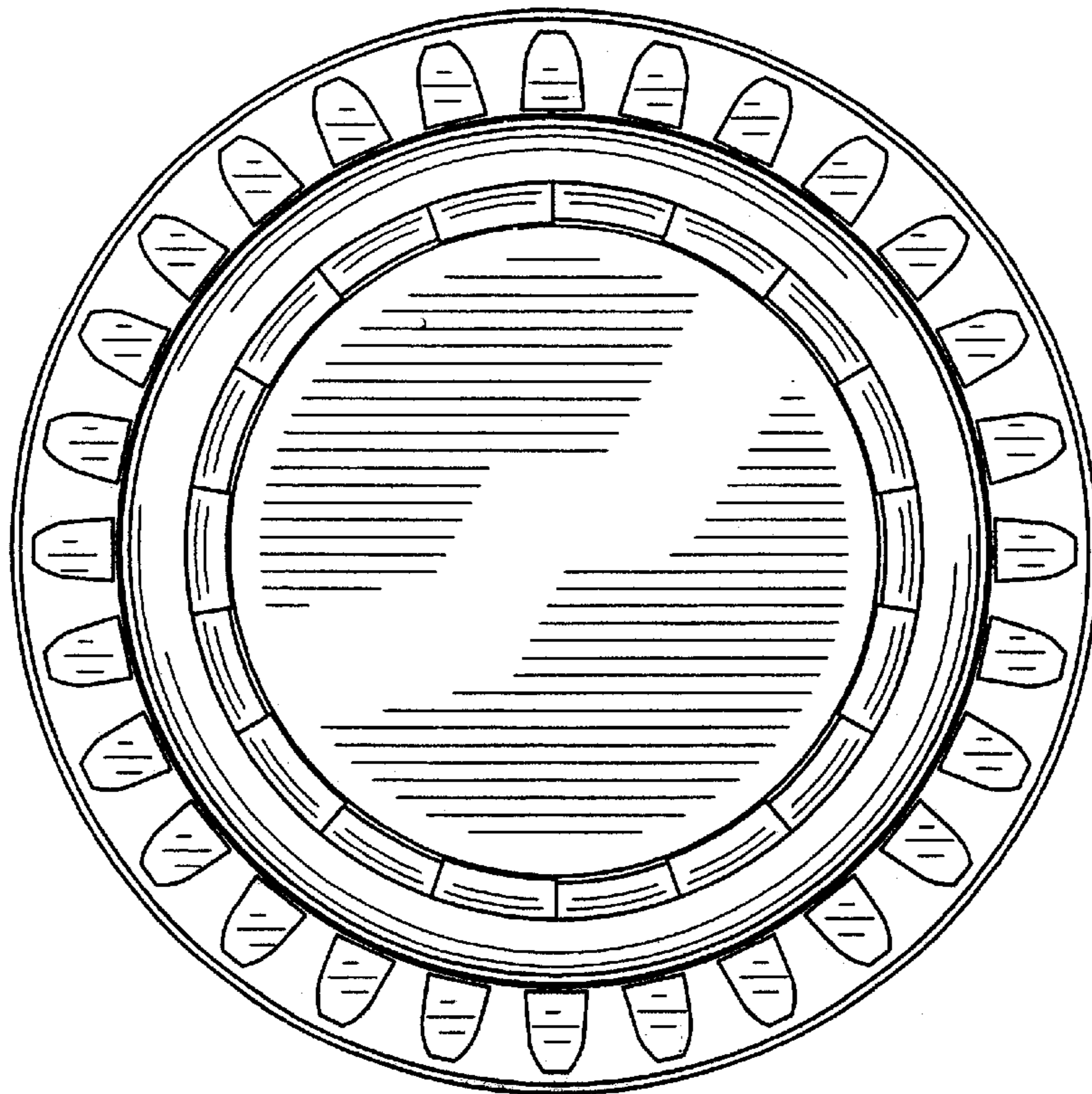


FIG. 6

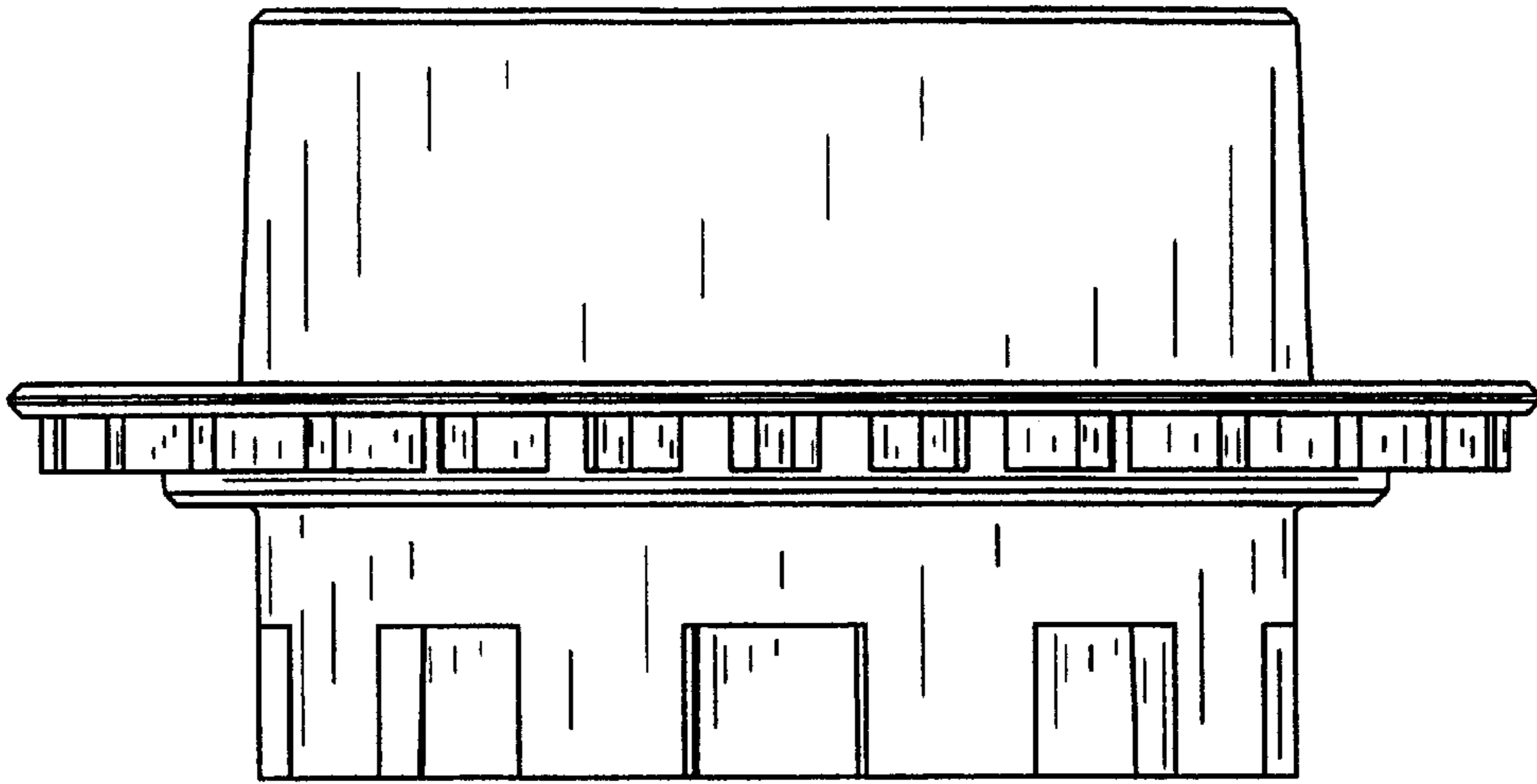


FIG. 7

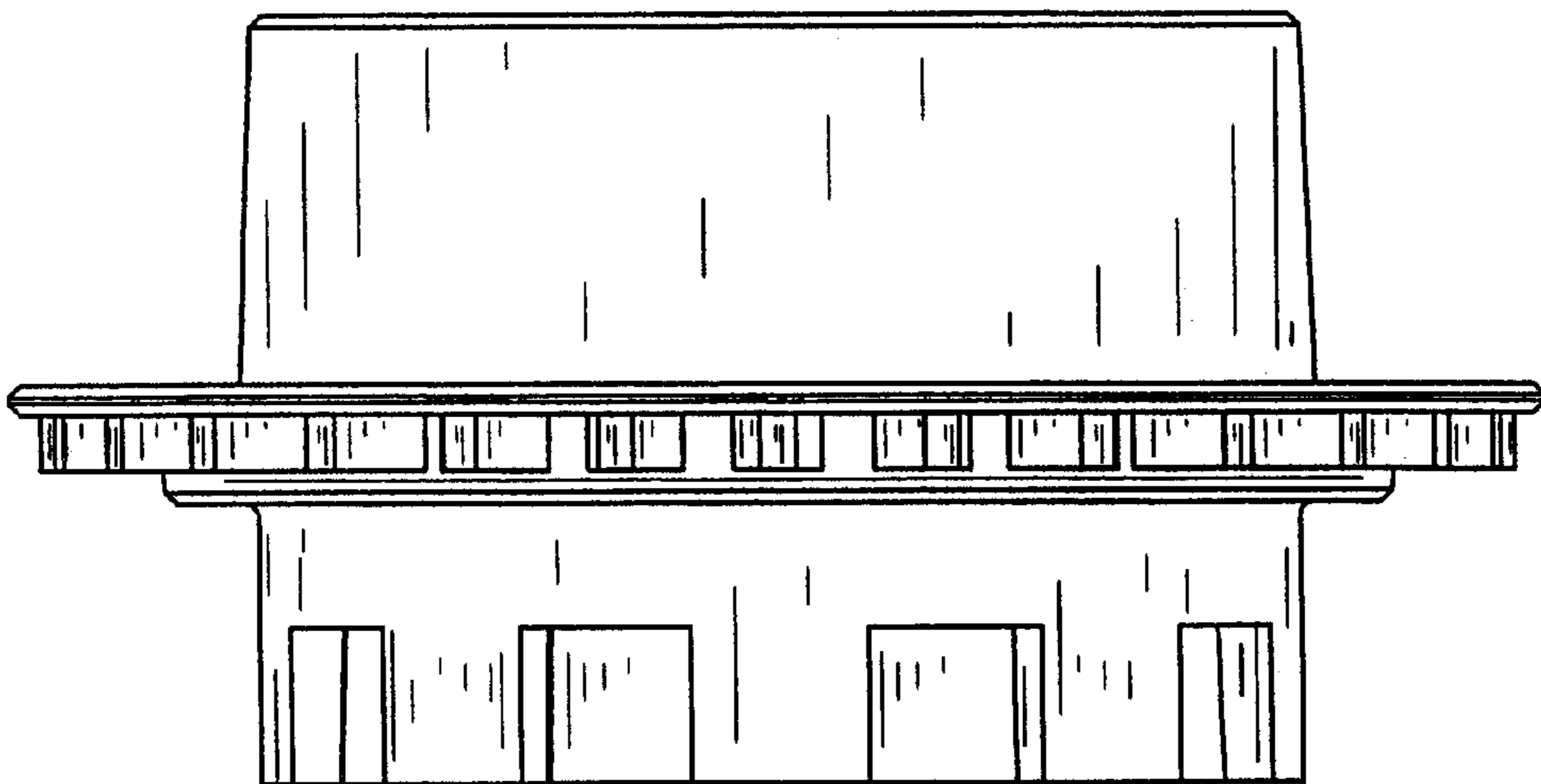


FIG. 8