



US00D480470S

(12) **United States Design Patent**
Tsuji

(10) **Patent No.:** **US D480,470 S**

(45) **Date of Patent:** **** Oct. 7, 2003**

(54) **CEILING FAN LIGHT KIT**

(75) **Inventor:** **Masao Tsuji**, Germantown, TN (US)

(73) **Assignee:** **Hunter Fan Company**, Memphis, TN (US)

(**) **Term:** **14 Years**

(21) **Appl. No.:** **29/163,729**

(22) **Filed:** **Jul. 10, 2002**

(51) **LOC (7) Cl.** **23-04**

(52) **U.S. Cl.** **D23/411**

(58) **Field of Search** D23/411, 377,
D23/379, 385; D26/59, 51, 72, 81-86,
88; 416/5; 392/364; 362/96

(56) **References Cited**

U.S. PATENT DOCUMENTS

D347,889 S * 6/1994 Mason D23/411

OTHER PUBLICATIONS

Casablanca Fan Company—Year 2000 Product Catalog (KG1PG—Cire Incandescent Fixture p. 60, KG1Q11—Prima Halogen Fixture p. 60, KG1Q—11R—Prima Halogen Fixture

p. 60, KG3X—Ausonia Incandescent Fixture, p. 61, KG2F—Two Light Halogen Fixture p. 62, KG2W Two Light Outdoor Incandescent Fixture p. 62, G211—Rope Glass p. 67.).

* cited by examiner

Primary Examiner—Lisa Lichtenstein

(74) *Attorney, Agent, or Firm*—Baker Donelson

(57) **CLAIM**

The ornamental design for a ceiling fan light kit, as shown and described.

DESCRIPTION

FIG. 1 is a perspective view of a ceiling fan light kit showing my new design.

FIG. 2 is a front view thereof, the rear view, right side view and left side view being the same thereof.

FIG. 3 is a top view thereof; and,

FIG. 4 is a bottom view thereof.

1 Claim, 2 Drawing Sheets

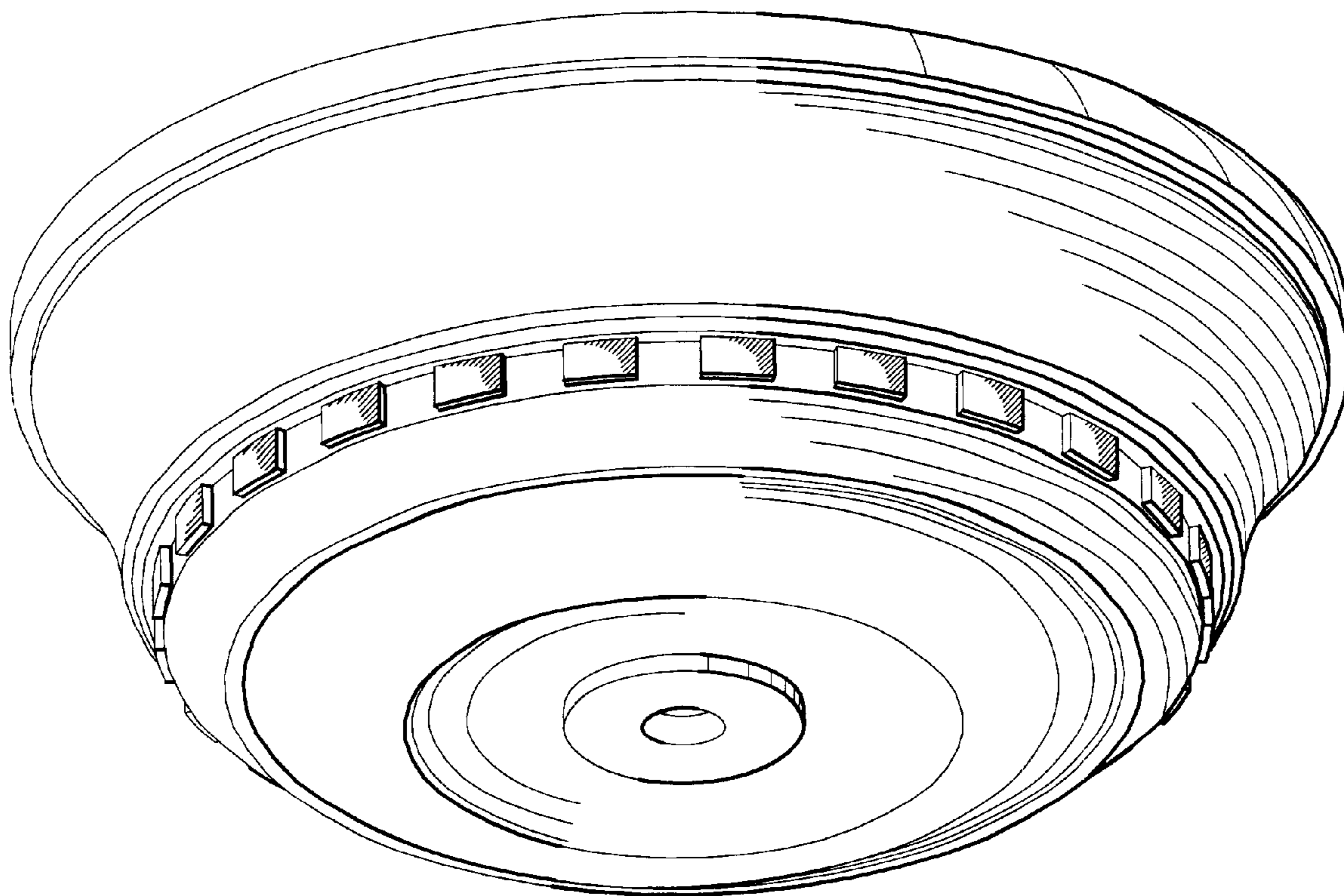


Fig. 1

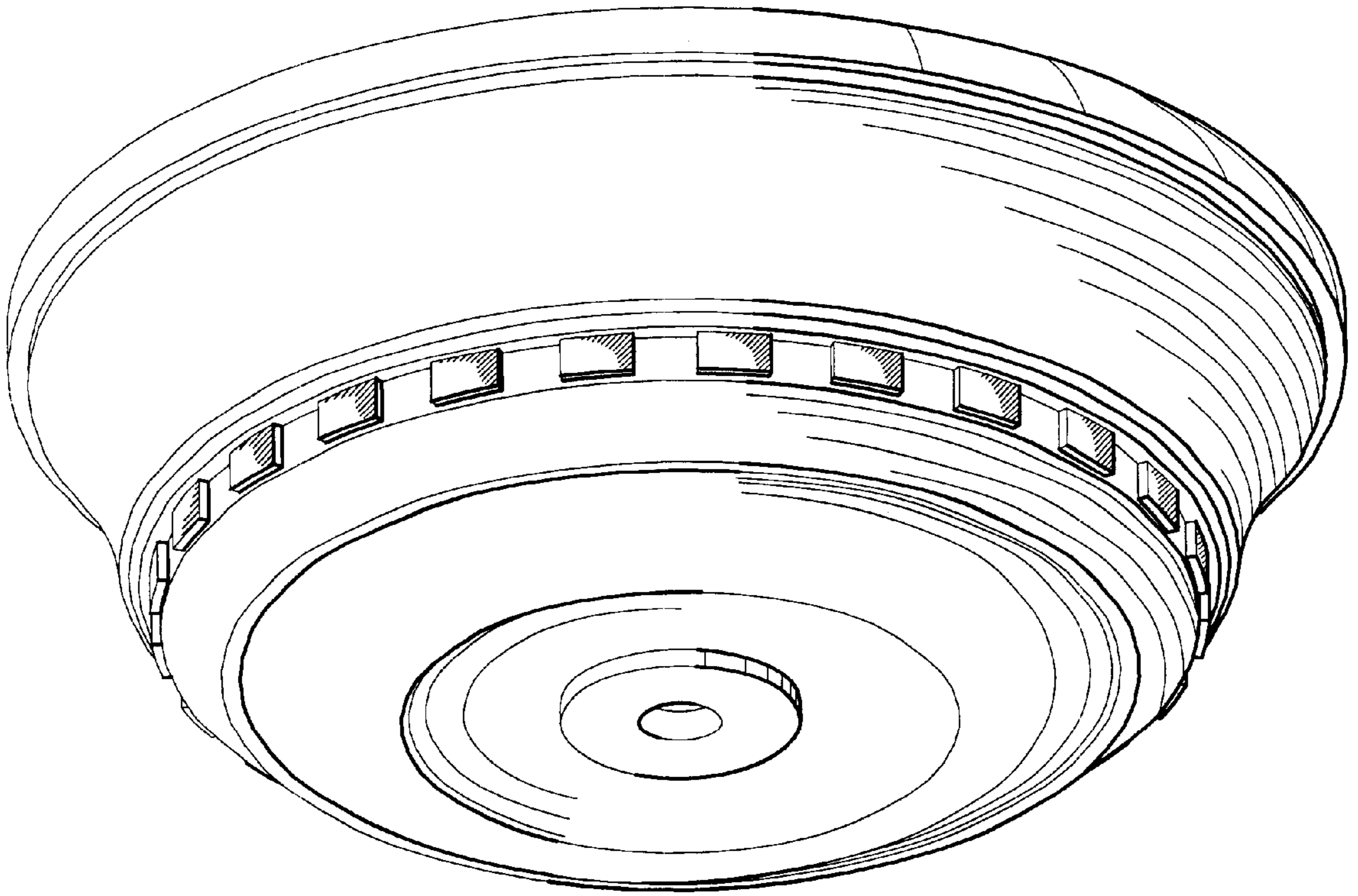


Fig. 2

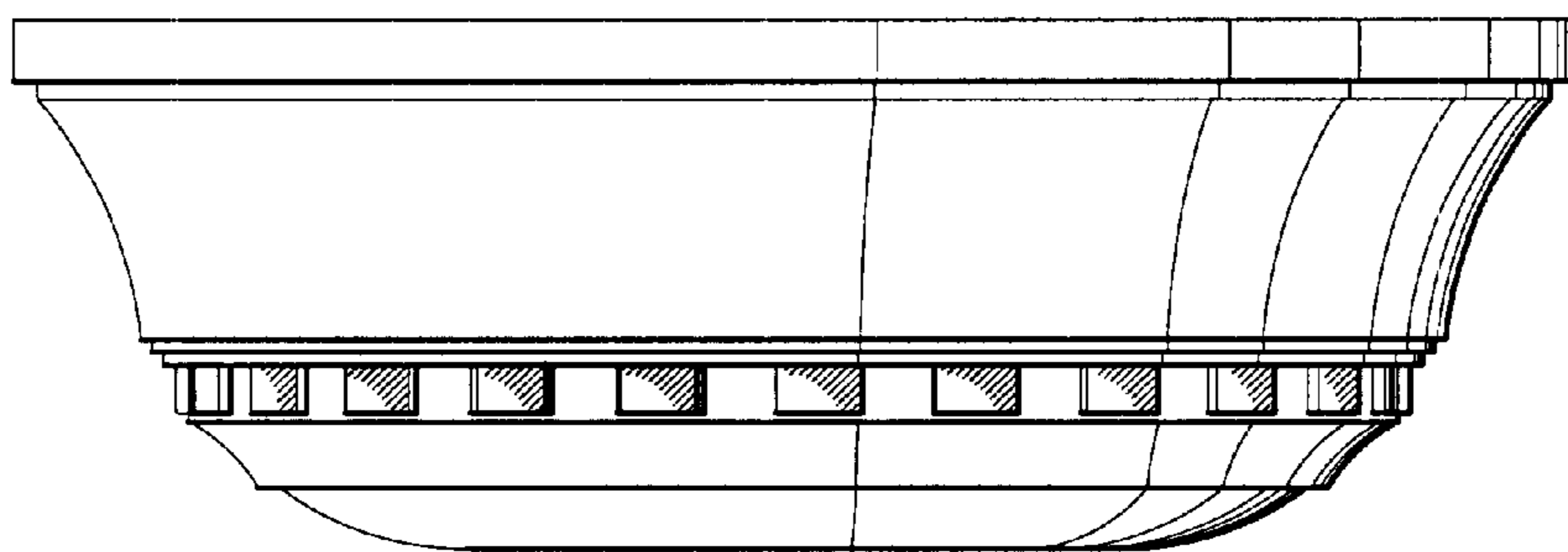


Fig. 3

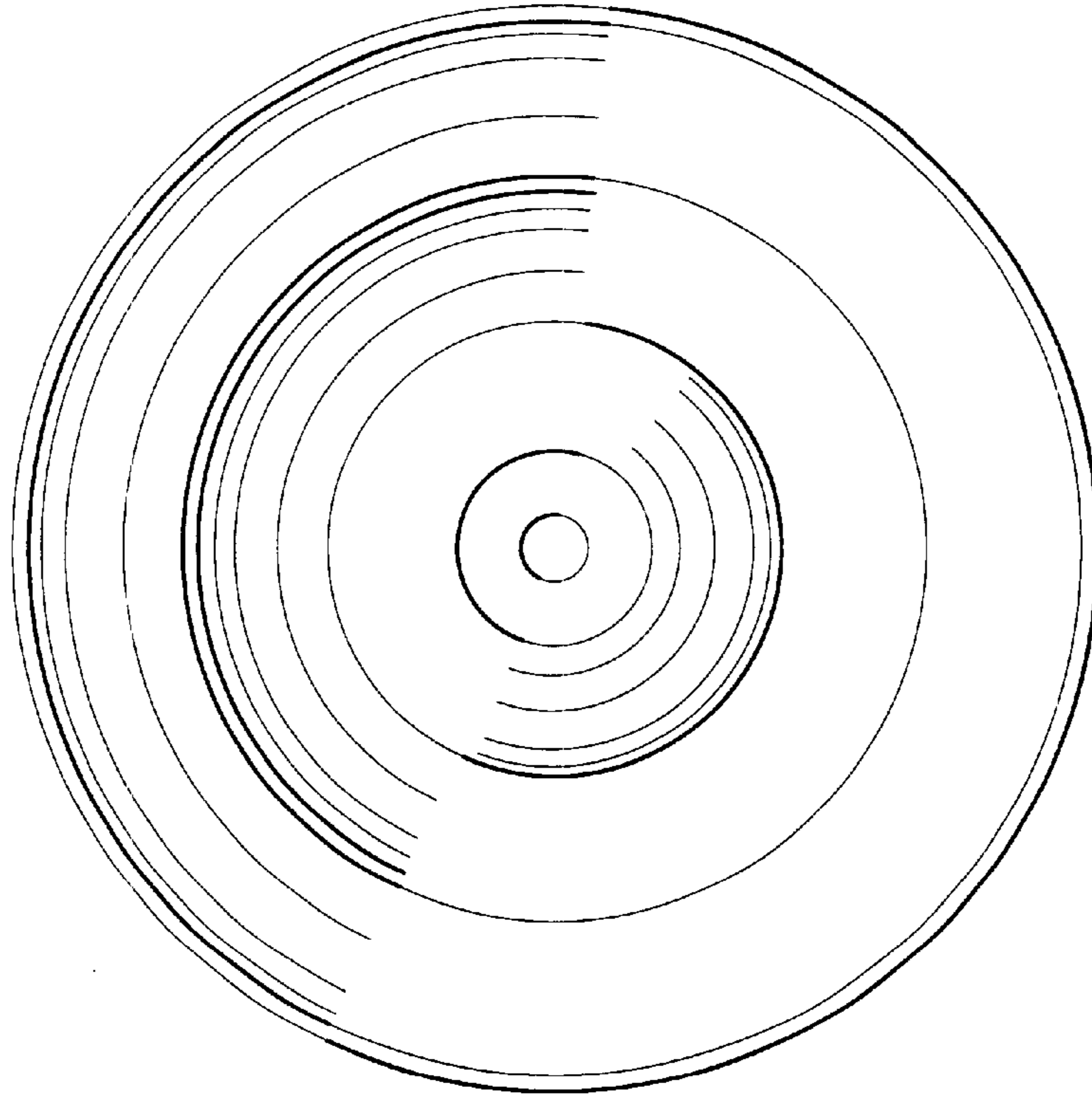


Fig. 4

