



US00D480468S

(12) **United States Design Patent**  
**Hoshina et al.**

(10) **Patent No.:** **US D480,468 S**  
(45) **Date of Patent:** **\*\* Oct. 7, 2003**

(54) **HOUSING FOR A FAN MOTOR**

(75) Inventors: **Tomoaki Hoshina**, Tokyo (JP);  
**Hiroyuki Shingai**, Tokyo (JP); **Shuhei Ishida**, Tokyo (JP)

(73) Assignee: **Nidec Copal Corporation**, Tokyo (JP)

(\*\*) Term: **14 Years**

(21) Appl. No.: **29/161,410**

(22) Filed: **May 28, 2002**

(30) **Foreign Application Priority Data**

Nov. 30, 2001 (JP) ..... 2001-035222

(51) **LOC (7) Cl.** ..... **23-04**

(52) **U.S. Cl.** ..... **D23/411**

(58) **Field of Search** ..... D23/411, 379,  
D23/370; 361/695, 697; 165/122, 80.3,  
121; 454/184

(56) **References Cited**

**U.S. PATENT DOCUMENTS**

5,288,203 A 2/1994 Thomas ..... 415/178  
5,502,619 A 3/1996 Wang ..... 361/697  
5,810,554 A 9/1998 Yokozawa et al. .... 415/176

5,864,465 A 1/1999 Liu ..... 361/697  
6,186,889 B1 \* 2/2001 Byrne ..... 454/184  
6,322,042 B1 \* 11/2001 Nemec ..... 248/694  
D461,238 S \* 8/2002 Horng ..... D23/411

**FOREIGN PATENT DOCUMENTS**

JP 7-272478 10/1995 ..... G11B/33/14  
JP 10-299691 11/1998 ..... F04D/25/08

\* cited by examiner

*Primary Examiner*—Lisa Lichtenstein

(74) *Attorney, Agent, or Firm*—Darby & Darby

(57) **CLAIM**

The ornamental design for a housing for a fan motor, as shown and described.

**DESCRIPTION**

FIG. 1 is a perspective view of a housing for a fan motor. FIG. 2 is a front view of a housing for a fan motor. FIG. 3 is a rear view of a housing for a fan motor. FIG. 4 is a right-side view of a housing for a fan motor. FIG. 5 is a left-side view of a housing for a fan motor. FIG. 6 is a plan view of a housing for a fan motor; and, FIG. 7 is a bottom view of a housing for a fan motor.

**1 Claim, 3 Drawing Sheets**

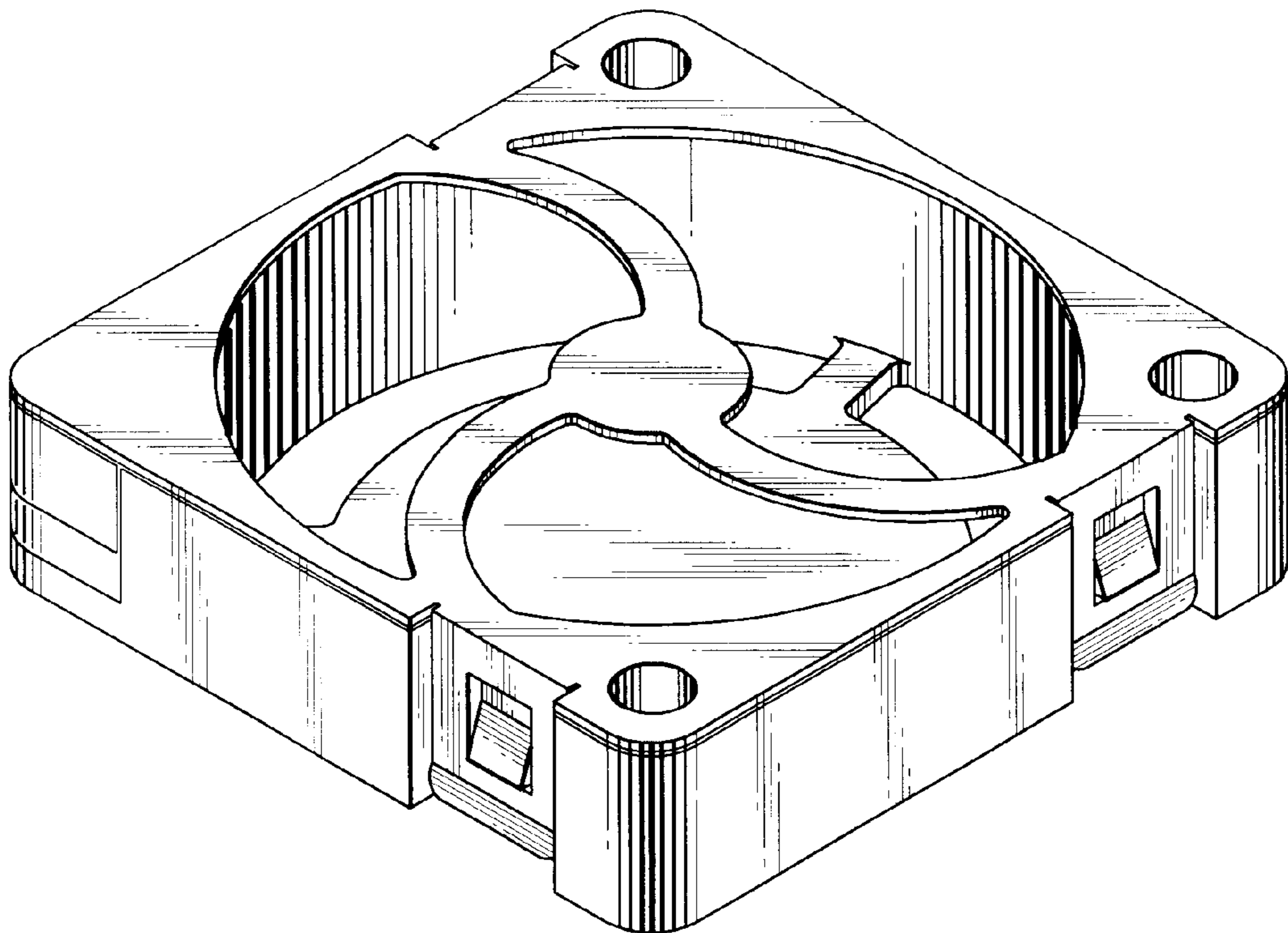


FIG. 1

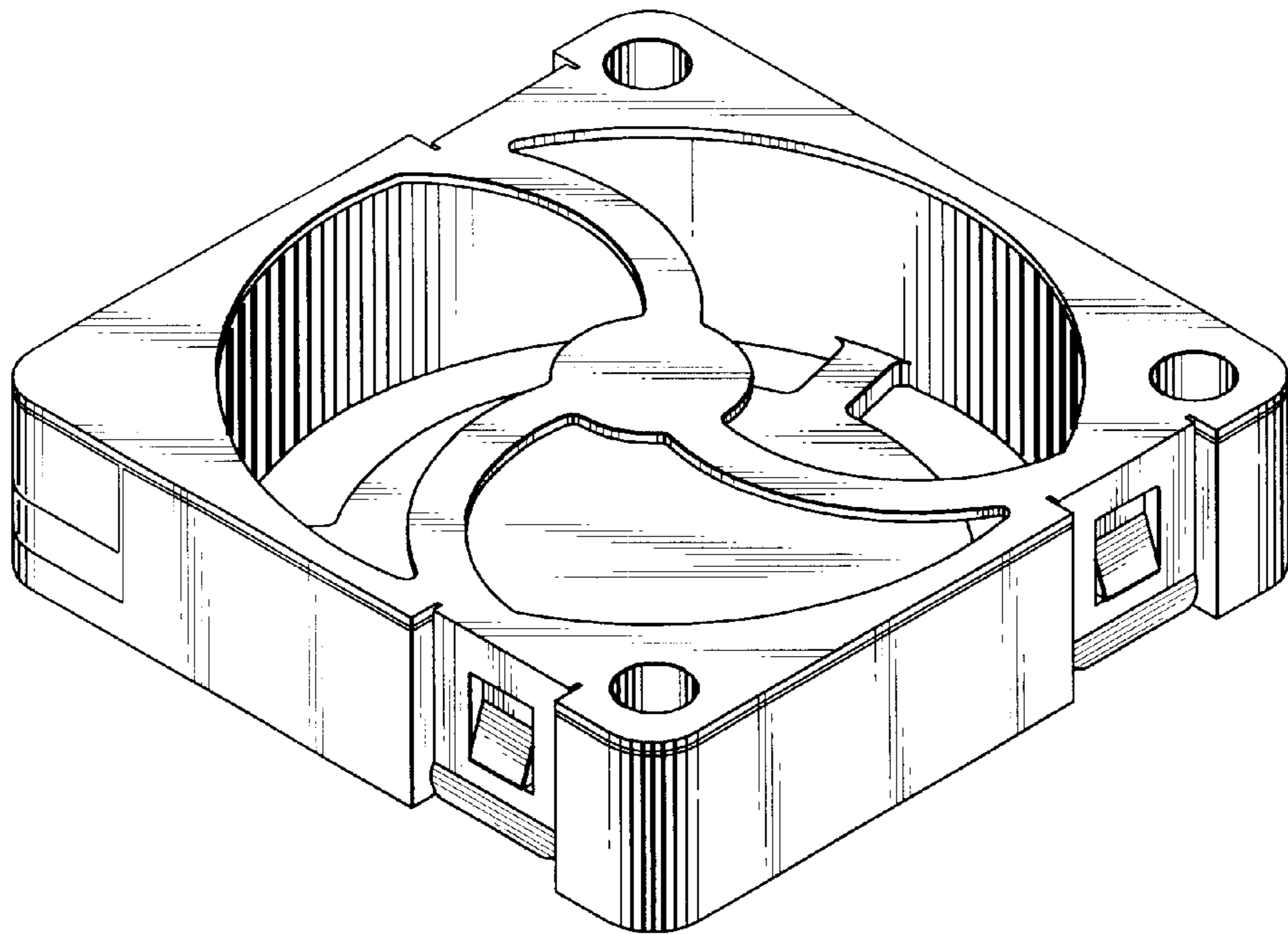


FIG.2

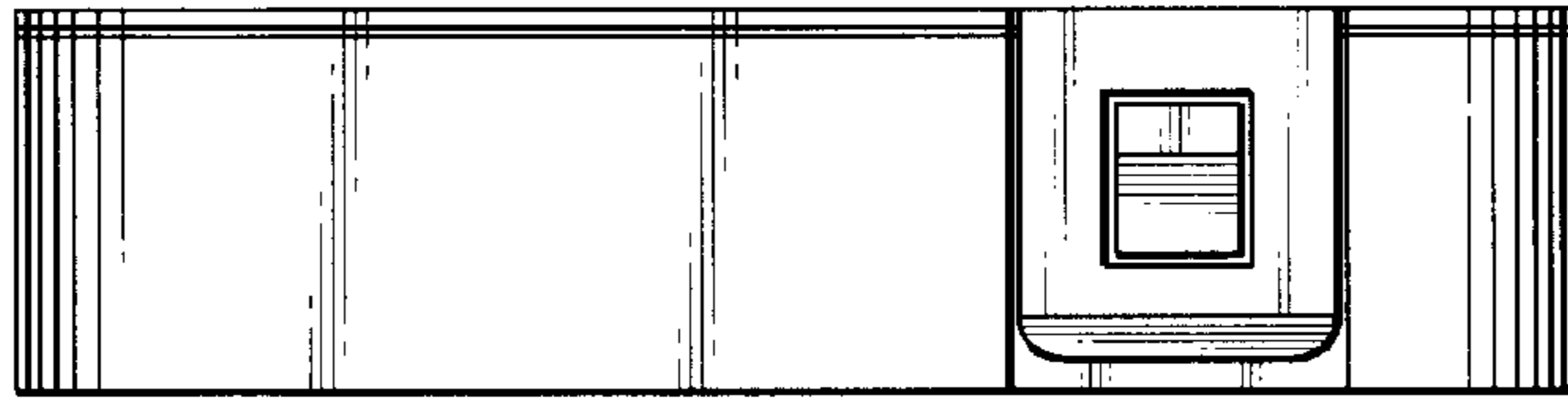


FIG.3

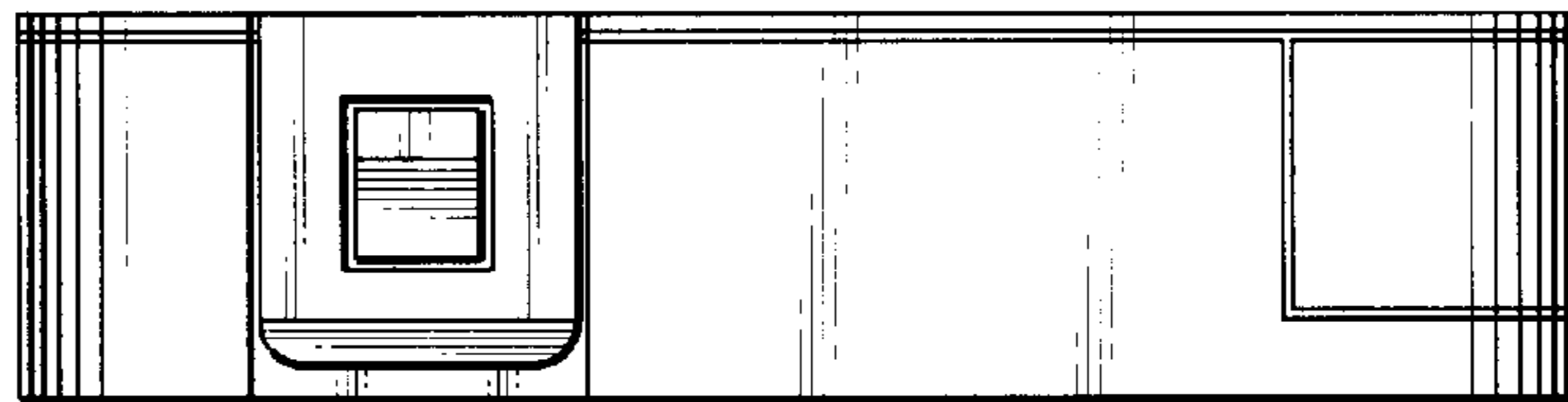


FIG.4

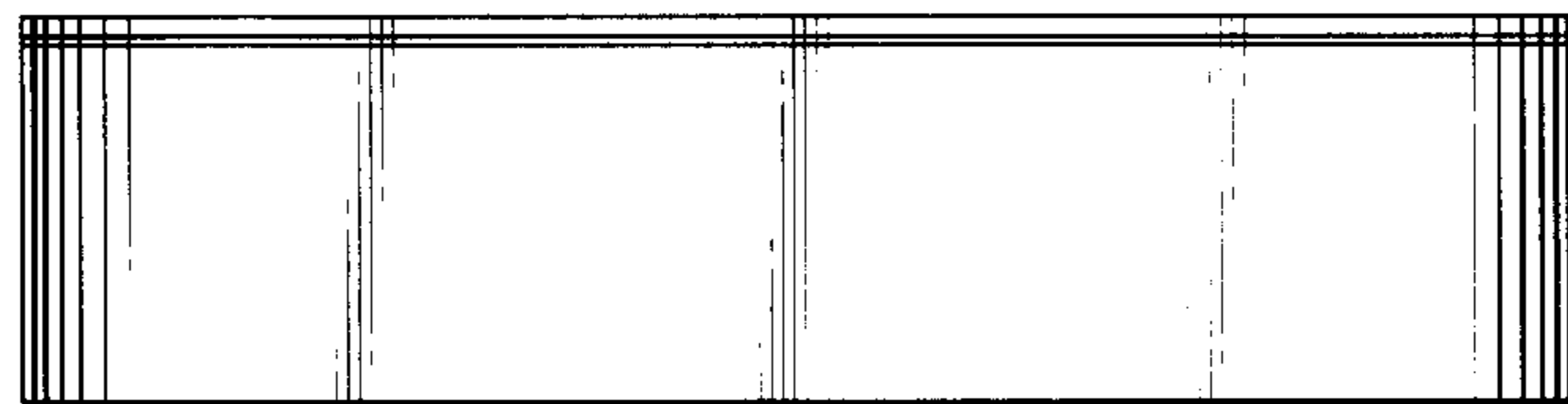


FIG.5

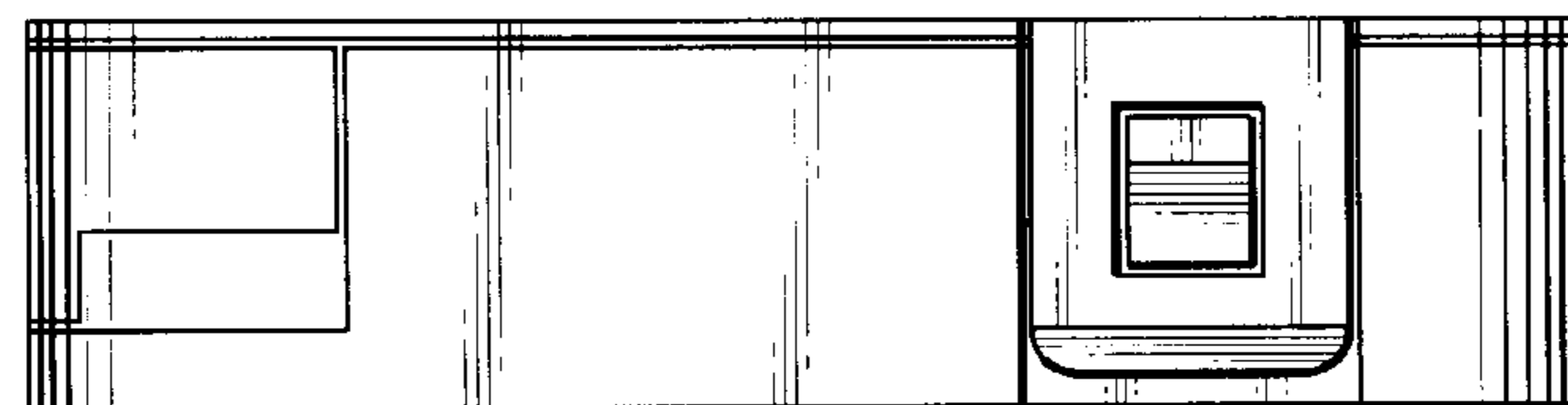


FIG. 6

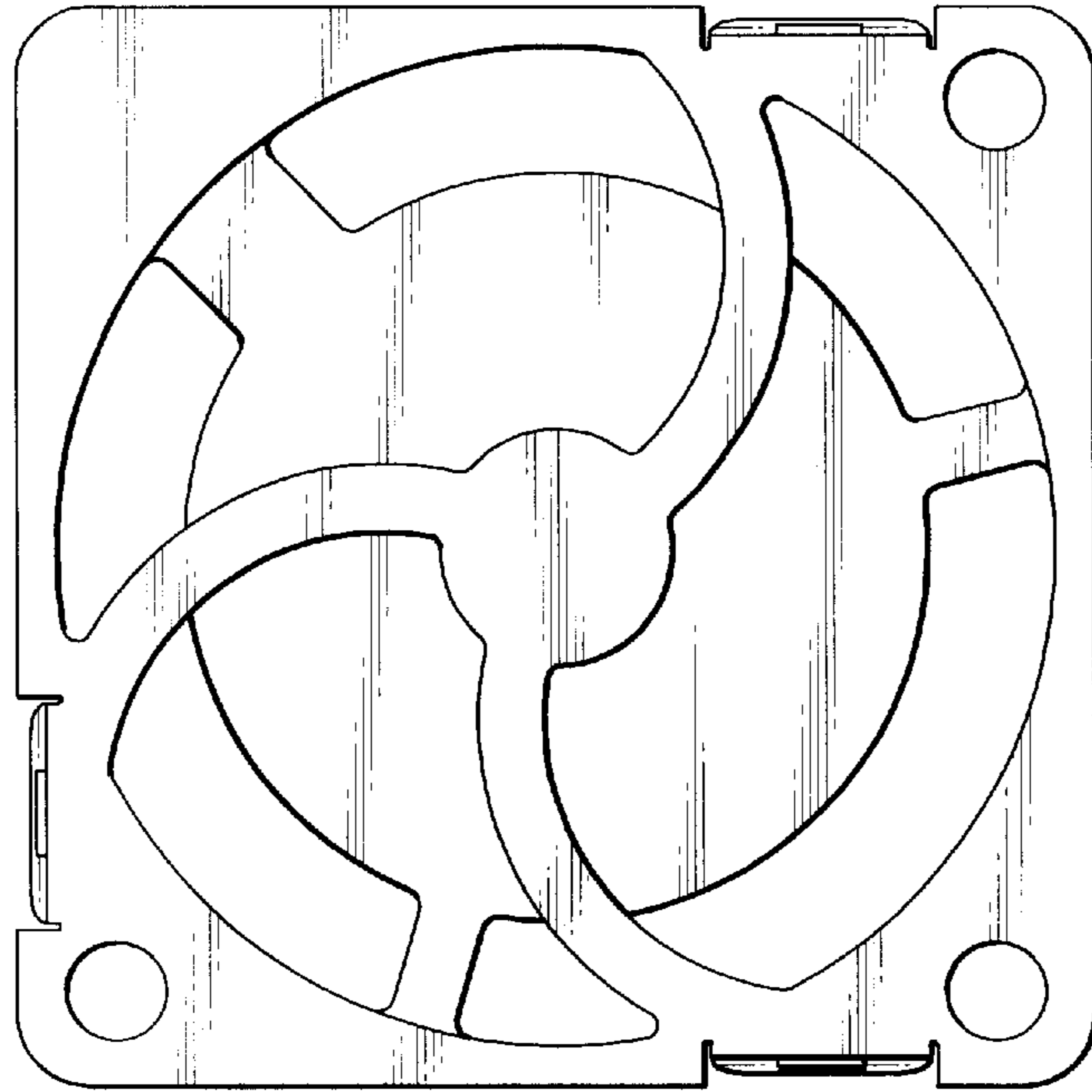


FIG. 7

