



US00D480467S

(12) **United States Design Patent**
White

(10) **Patent No.:** **US D480,467 S**

(45) **Date of Patent:** **** Oct. 7, 2003**

(54) **AIR MOVER**

(75) Inventor: **Larry White**, Anacortes, WA (US)

(73) Assignee: **Dri-Eaz Products, Inc.**, Burlington, WA (US)

(**) Term: **14 Years**

(21) Appl. No.: **29/168,168**

(22) Filed: **Sep. 25, 2002**

(51) **LOC (7) Cl.** **23-04**

(52) **U.S. Cl.** **D23/383**

(58) **Field of Search** D23/381, 332,
D23/383, 382, 370, 337, 411, 412, 336,
328; 416/246 R, 247 R, 244 R; 15/344,
405

(56) **References Cited**

U.S. PATENT DOCUMENTS

D254,566 S	*	3/1980	Cummins	D23/370
5,265,895 A	*	11/1993	Barrett	280/47.24
D422,351 S	*	4/2000	Griffin	D23/383

OTHER PUBLICATIONS

JON-DON; Gale Force Air Mover from Dry-Air at Jon-Don; www.jondon.com/galeforce/; Mar., 2003.

DRI-EAZ; Product Catalog; Jan. 1, 2002, pp. 9-12; Burlington, Washington, U.S.

* cited by examiner

Primary Examiner—Lisa Lichtenstein

(74) *Attorney, Agent, or Firm*—Michael R. Schacht; Schacht Law Office, Inc.

(57) **CLAIM**

The ornamental design for an air mover, as shown and described herein.

DESCRIPTION

FIG. 1 is a front elevational view of an air mover constructed in accordance with, and embodying, the principles of the present invention;

FIG. 2 is a right side elevational view of the air mover depicted in FIG. 1;

FIG. 3 is a left side elevational view of the air mover depicted in FIG. 1;

FIG. 4 is a rear elevational view of the air mover depicted in FIG. 1;

FIG. 5 is a top plan view of the air mover depicted in FIG. 1; and,

FIG. 6 is a bottom plan view of the air mover depicted in FIG. 1.

The broken line showing of environmental structure in FIGS. 1-6 is for illustrative purposes only and forms no part of the claimed design.

1 Claim, 5 Drawing Sheets

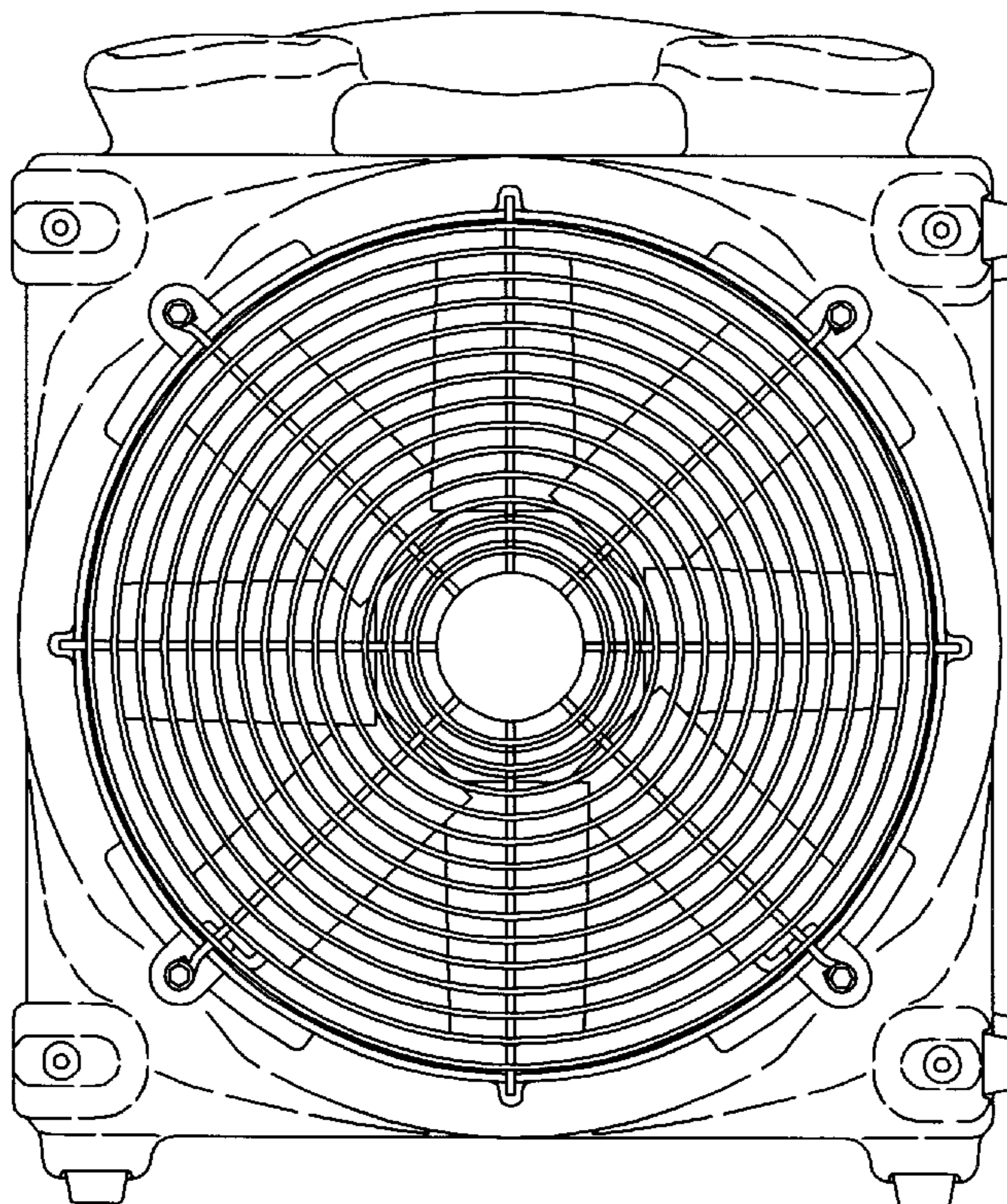


FIG. 1

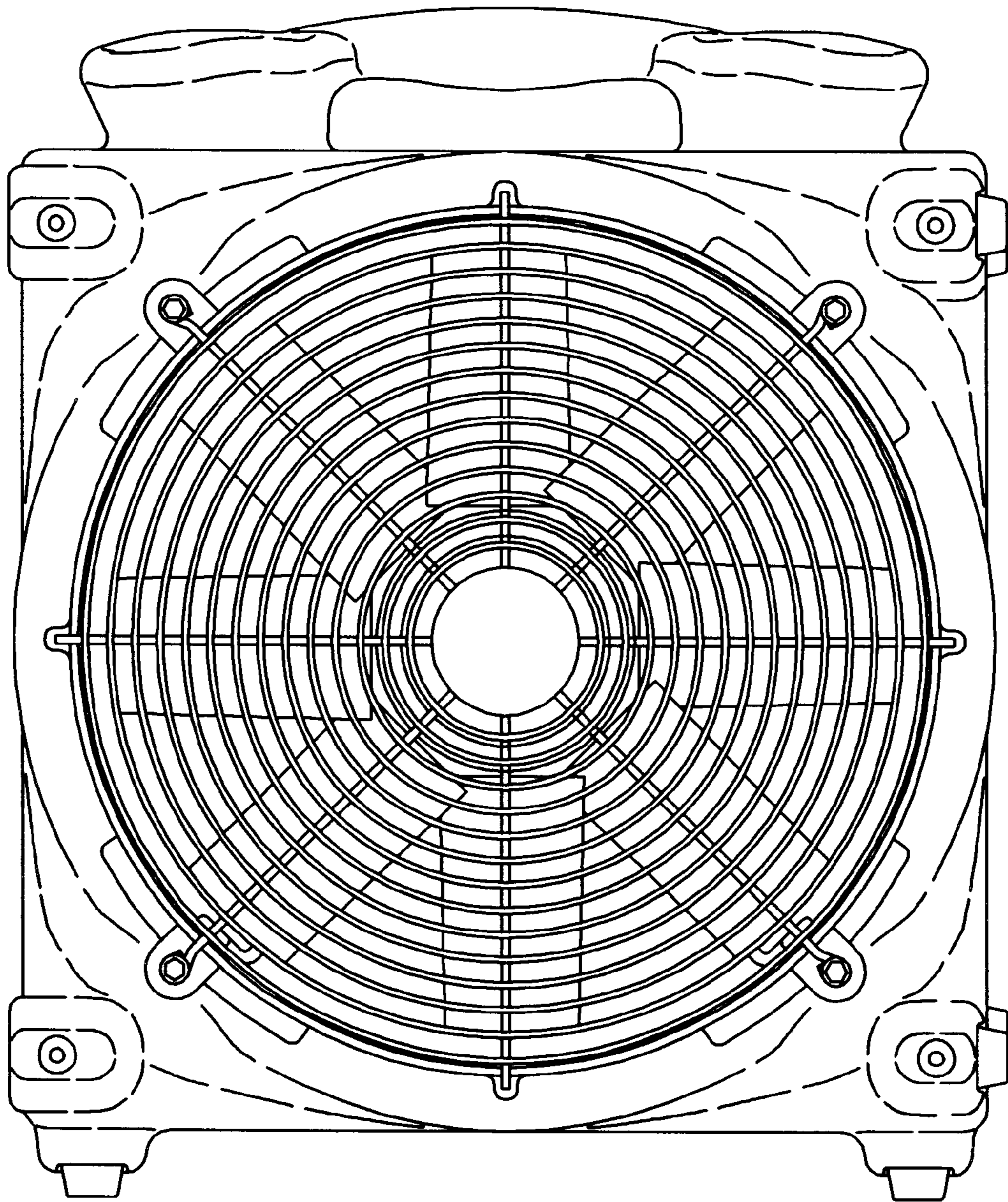


FIG. 2

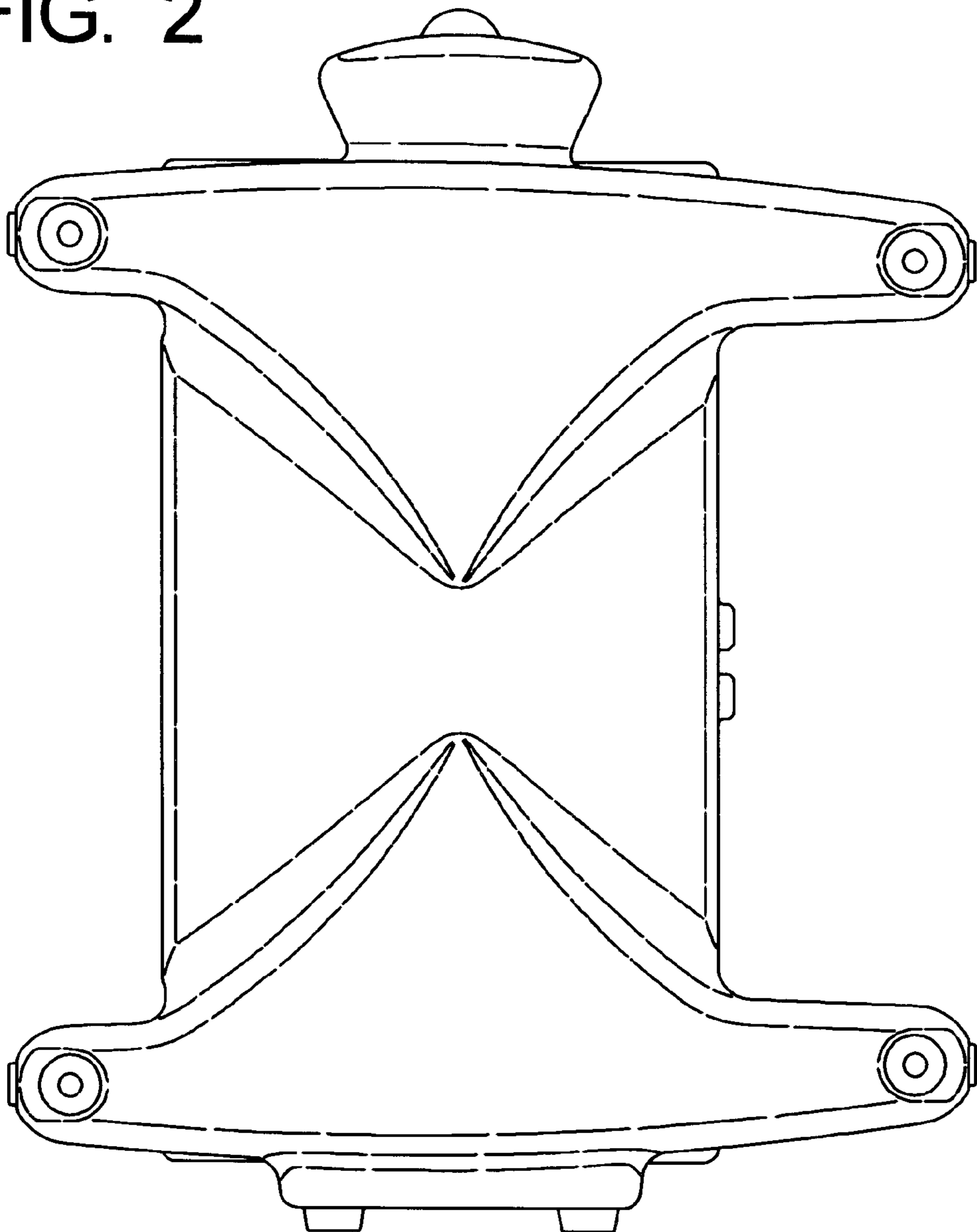


FIG. 3

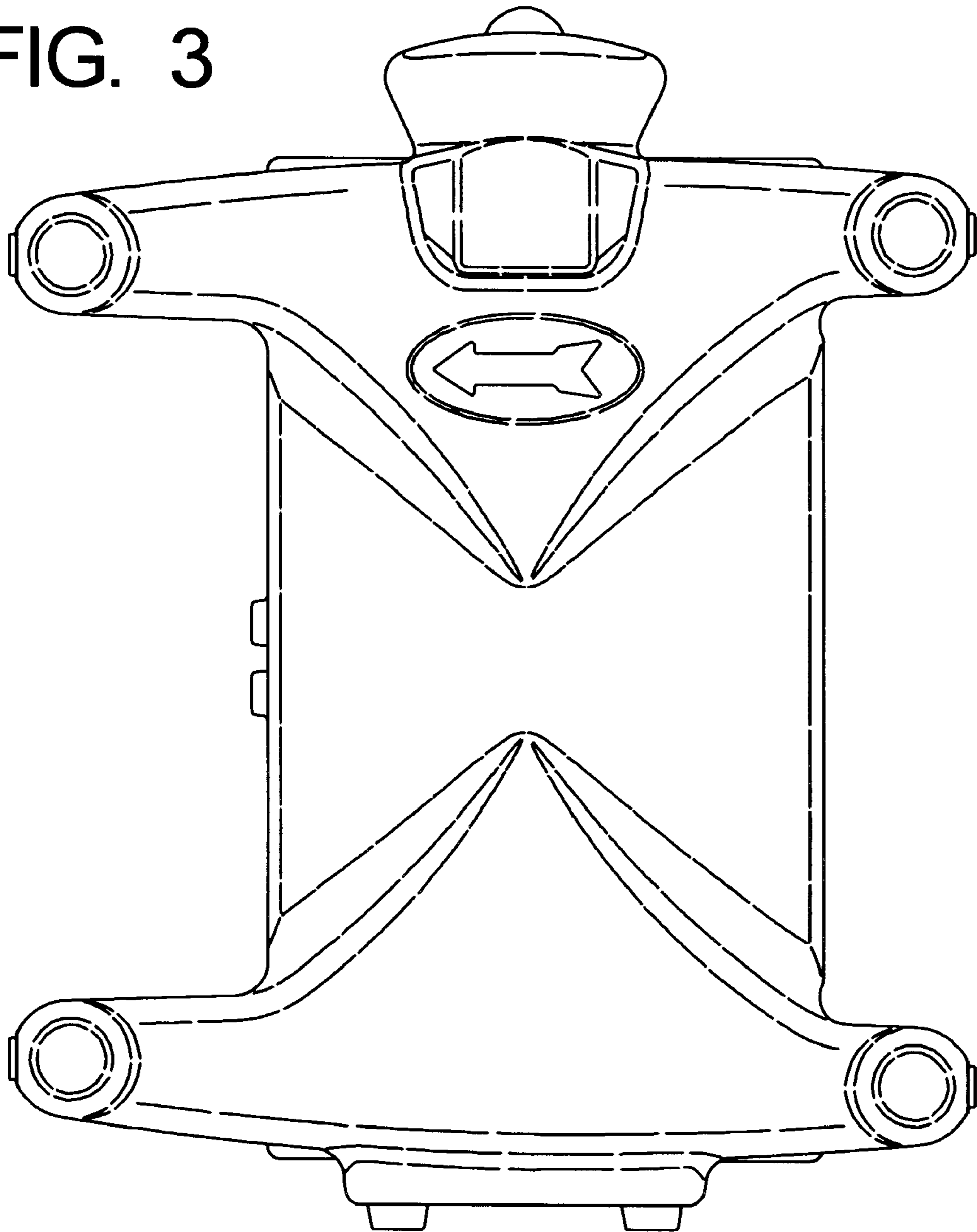


FIG. 4

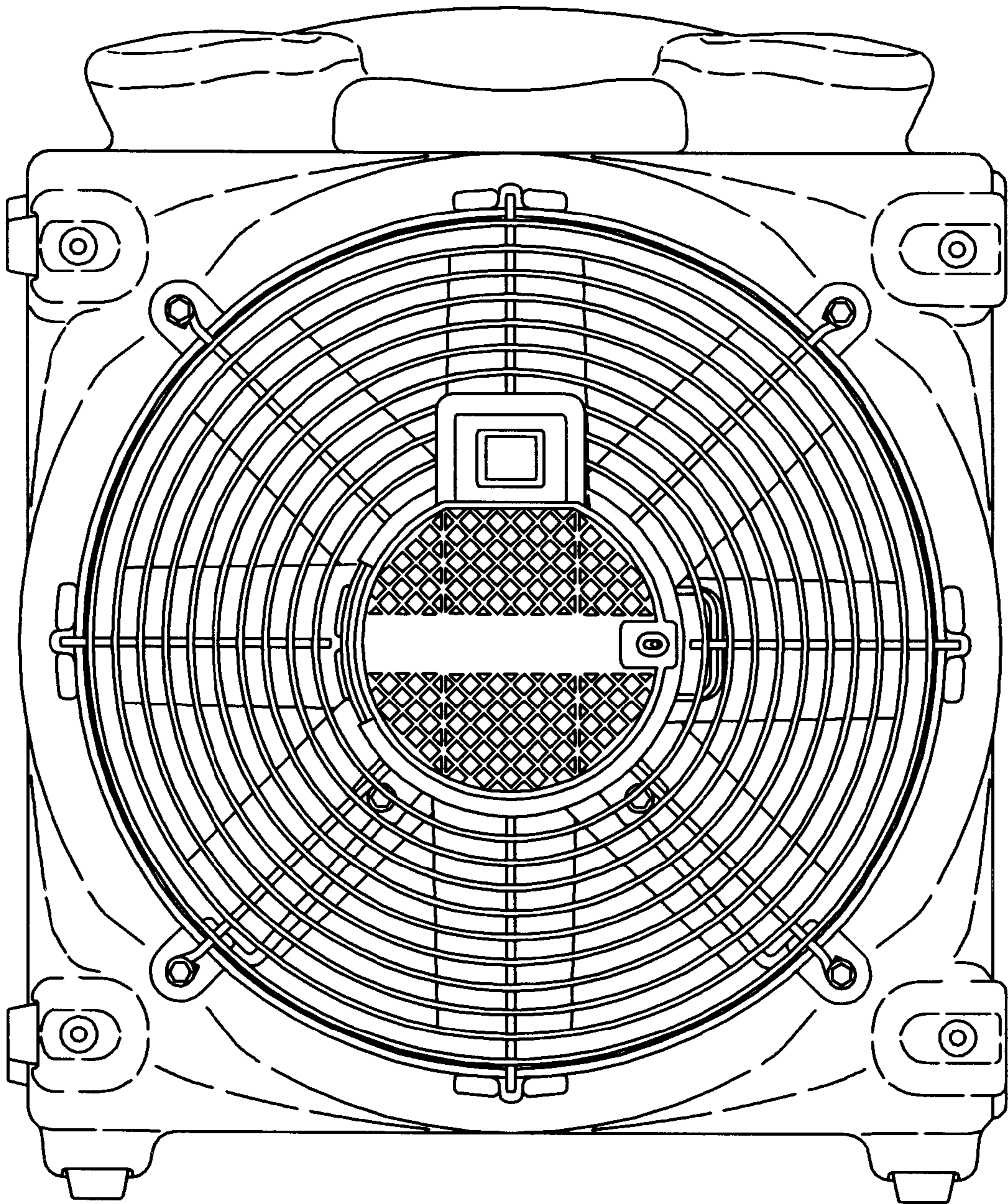


FIG. 5

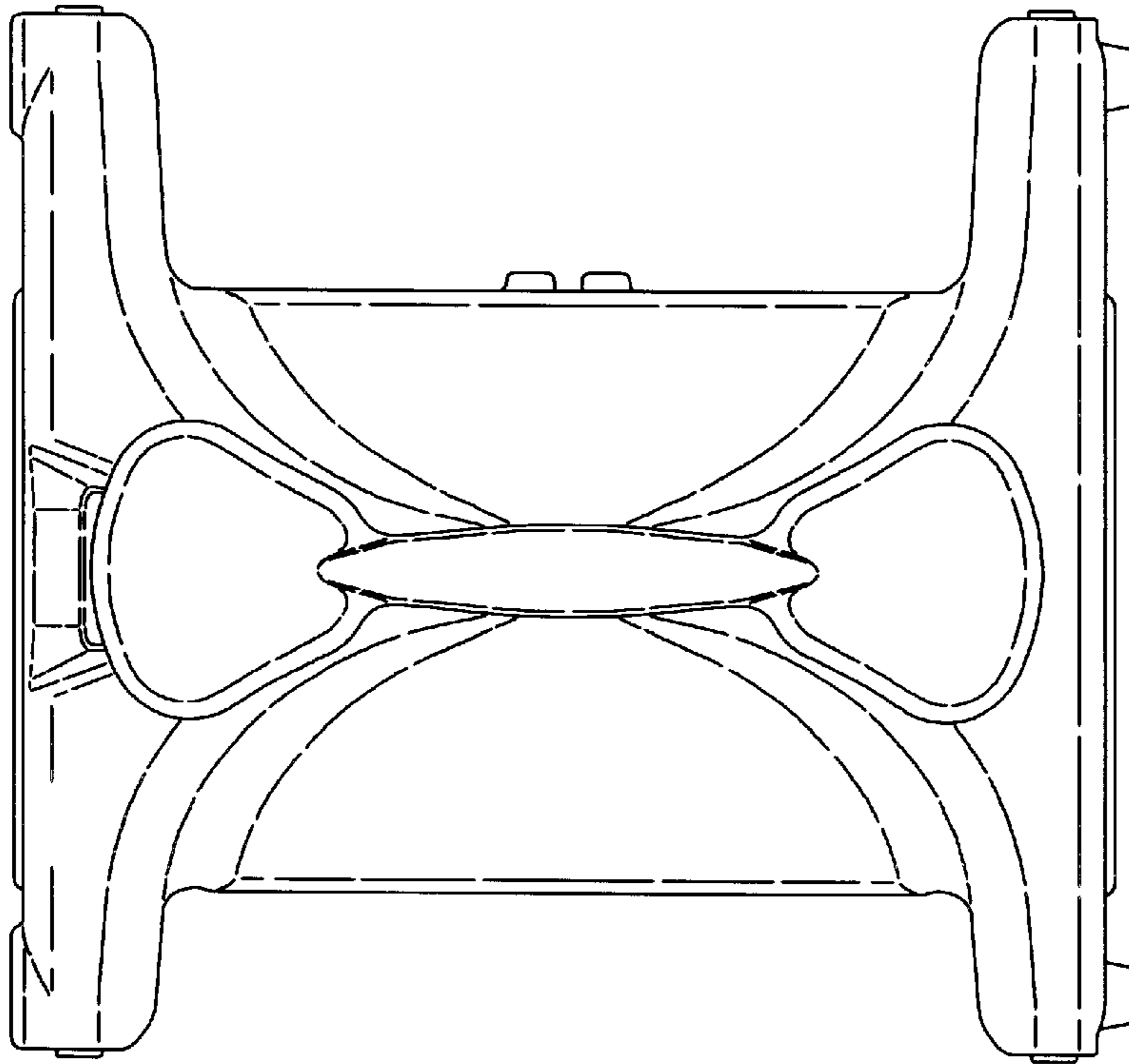


FIG. 6

