



US00D480466S

(12) **United States Design Patent**
Bucher et al.

(10) **Patent No.:** **US D480,466 S**

(45) **Date of Patent:** **** Oct. 7, 2003**

(54) **SHROUD FAN**

D444,552 S * 7/2001 Wang D23/382

(75) Inventors: **John C. Bucher**, Ft. Lauderdale, FL
(US); **Charles E. Bucher**, Valrico, FL
(US)

* cited by examiner

Primary Examiner—Lisa Lichtenstein
(74) *Attorney, Agent, or Firm*—Holland & Knight LLP

(73) Assignee: **King of Fans, Inc.**, Ft. Lauderdale, FL
(US)

(57) **CLAIM**

(**) Term: **14 Years**

The ornamental designs for a shroud fan, as shown and described.

(21) Appl. No.: **29/172,999**

DESCRIPTION

(22) Filed: **Dec. 20, 2002**

(51) **LOC (7) Cl.** **23-04**

(52) **U.S. Cl.** **D23/382**

(58) **Field of Search** D23/411, 413,
D23/412, 382, 381, 370, 332; 416/244 R,
247 R, 246

FIG. 1 is a front elevation view of my new design for a shroud fan;

FIG. 2 is a left side elevation view thereof;

FIG. 3 is a right side elevation view thereof;

FIG. 4 is a back elevation view thereof;

FIG. 5 is a top plan view thereof; and,

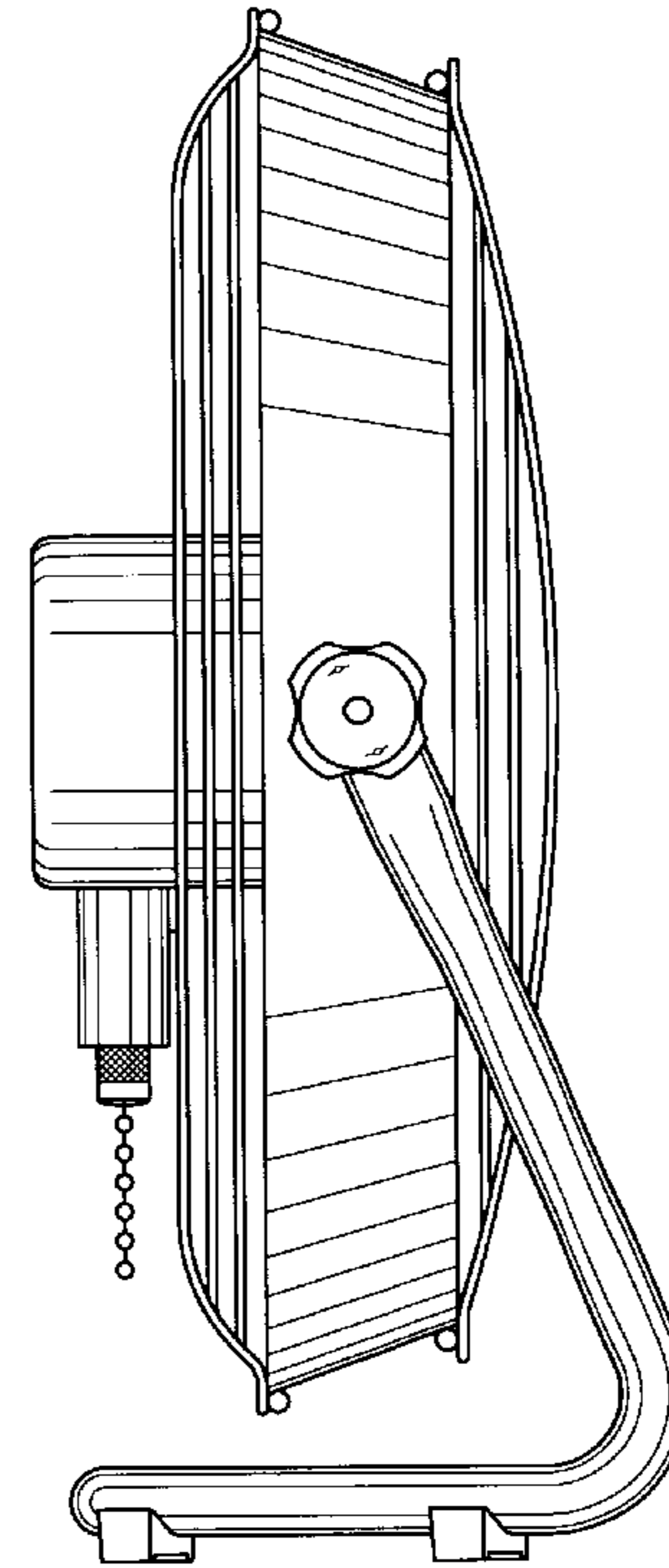
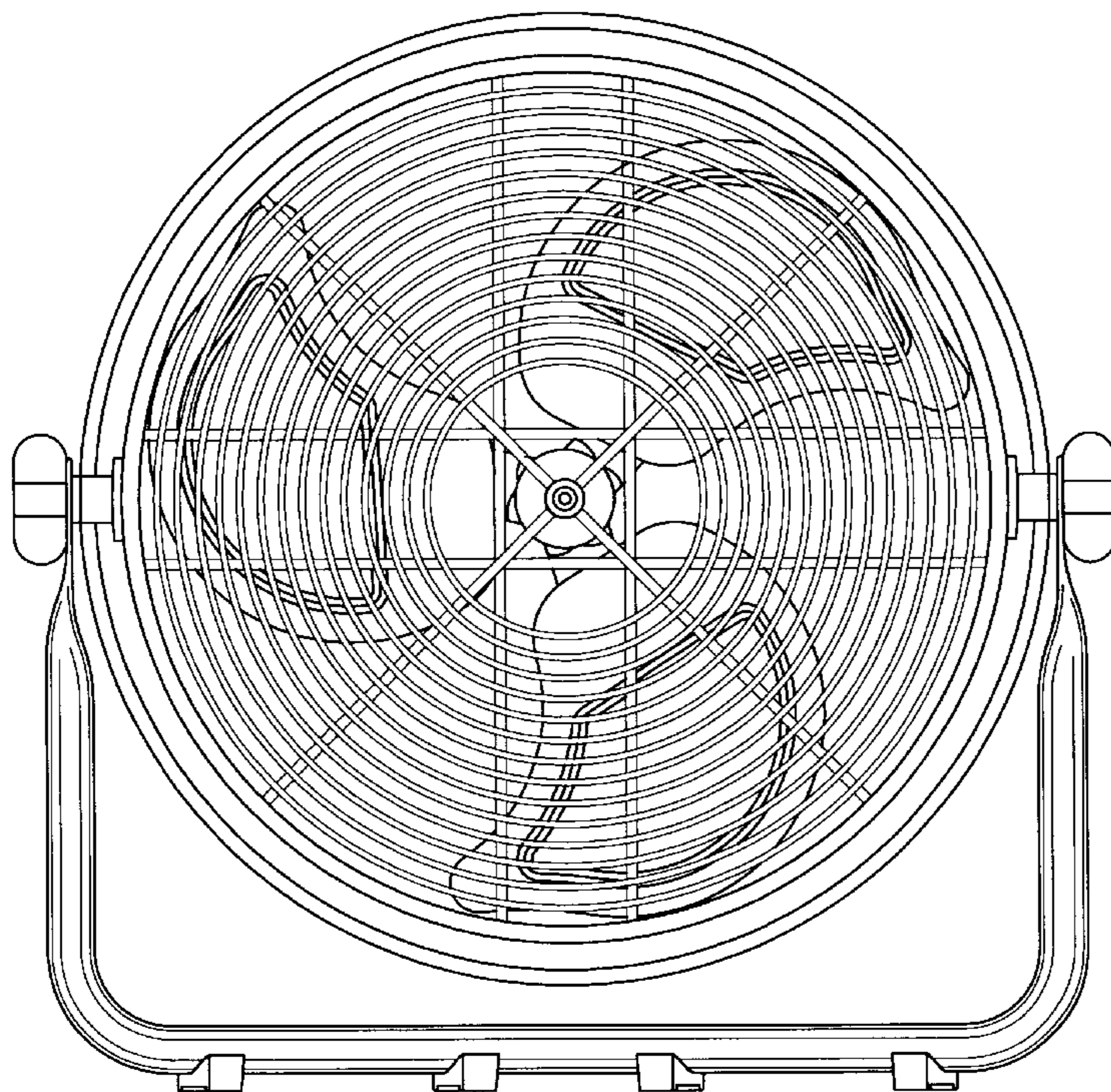
FIG. 6 is a bottom plan view thereof.

(56) **References Cited**

U.S. PATENT DOCUMENTS

D426,296 S * 6/2000 Blateri D23/382

1 Claim, 3 Drawing Sheets



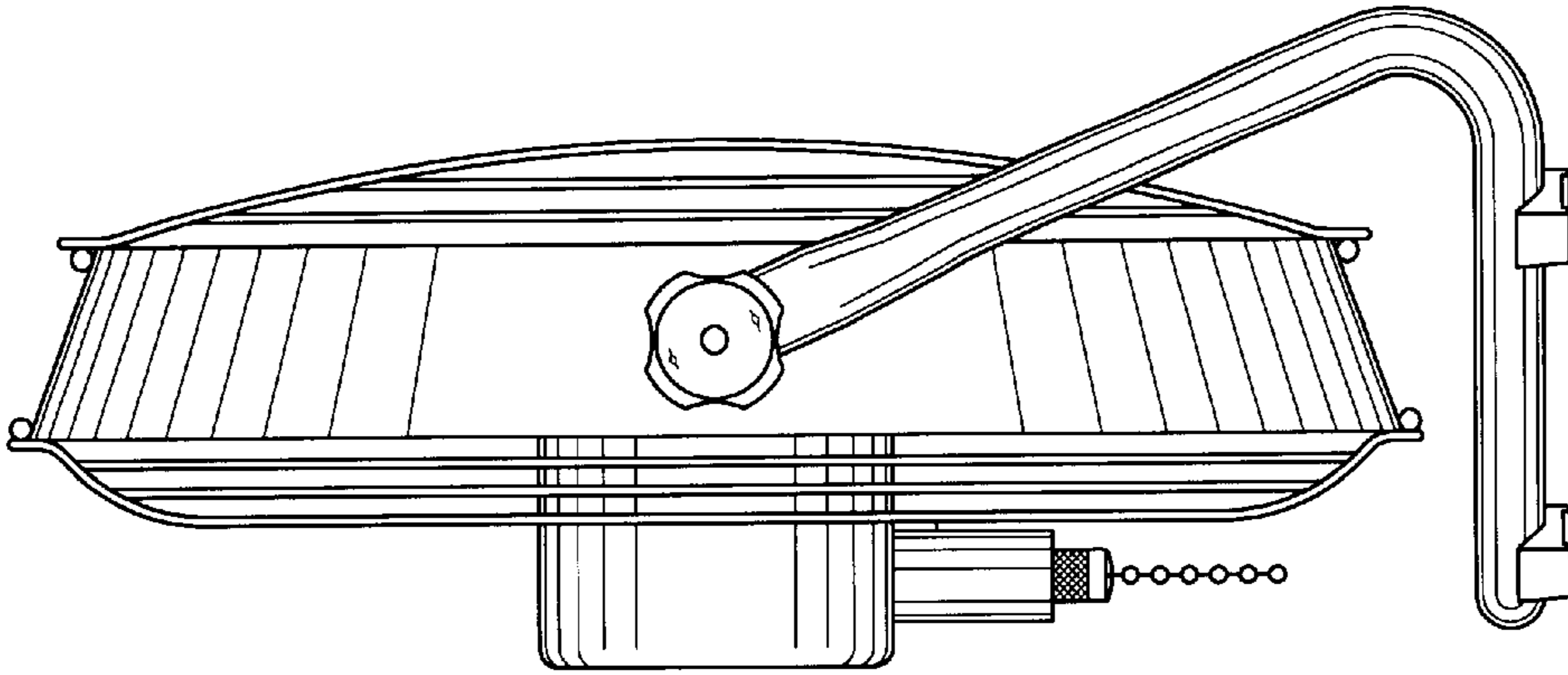


FIG. 2

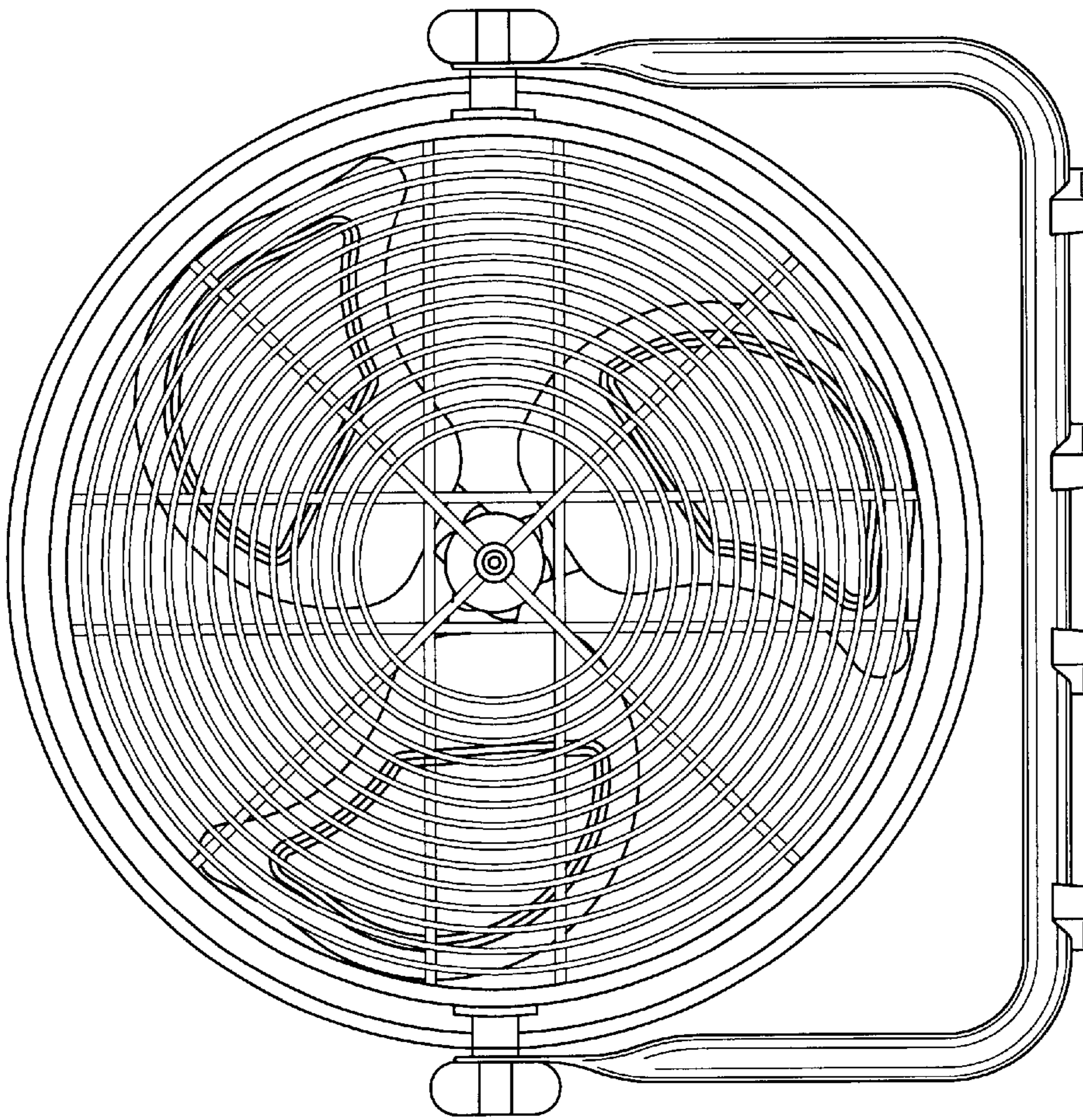


FIG. 1

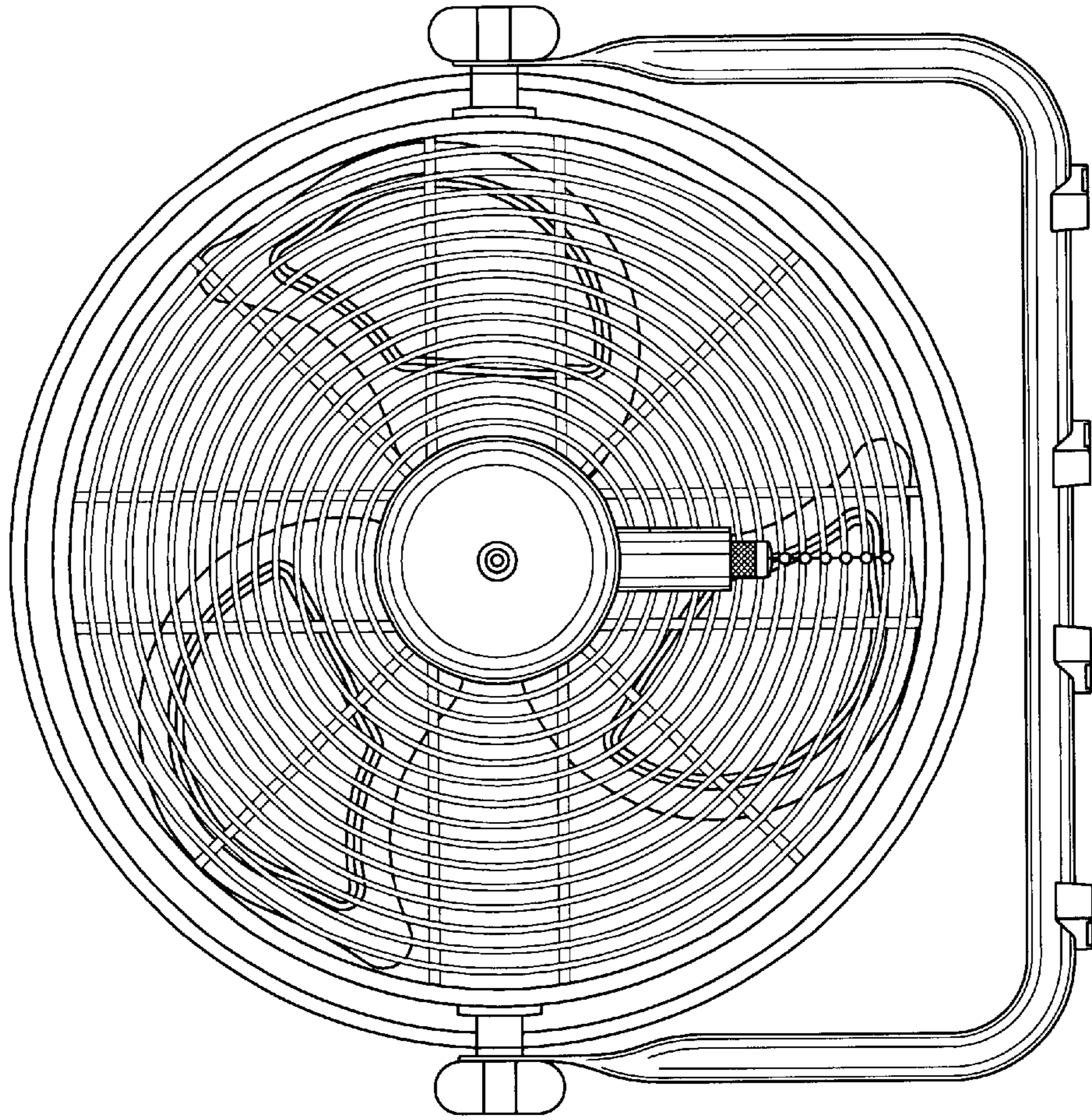


FIG. 3

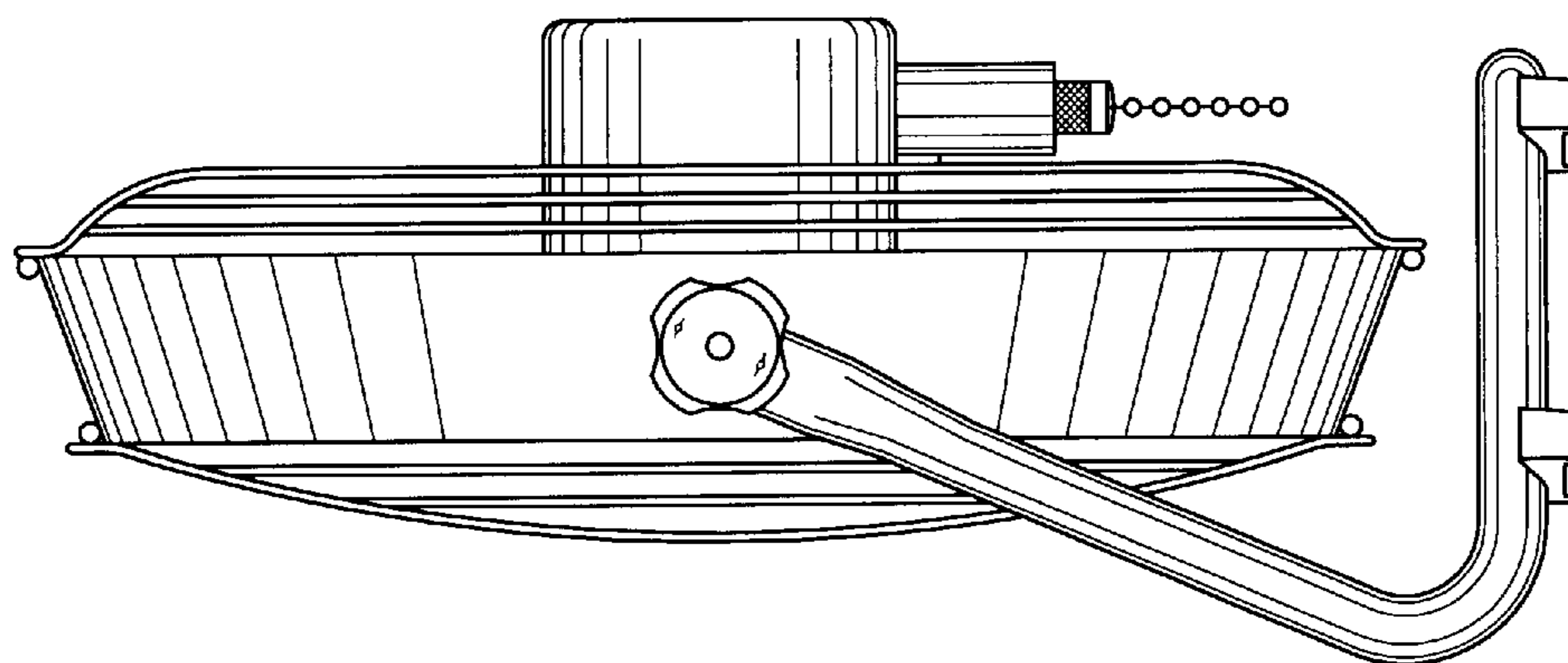


FIG. 4

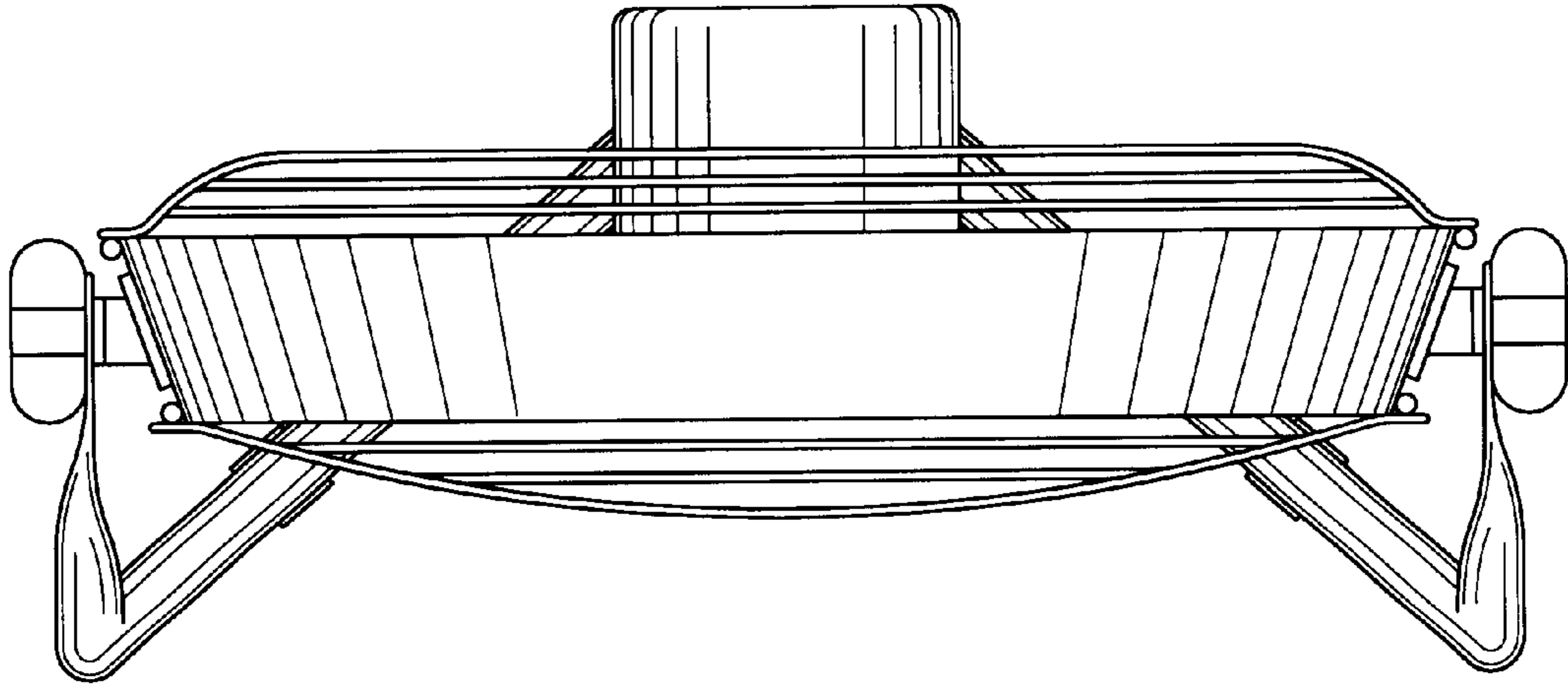


FIG. 5

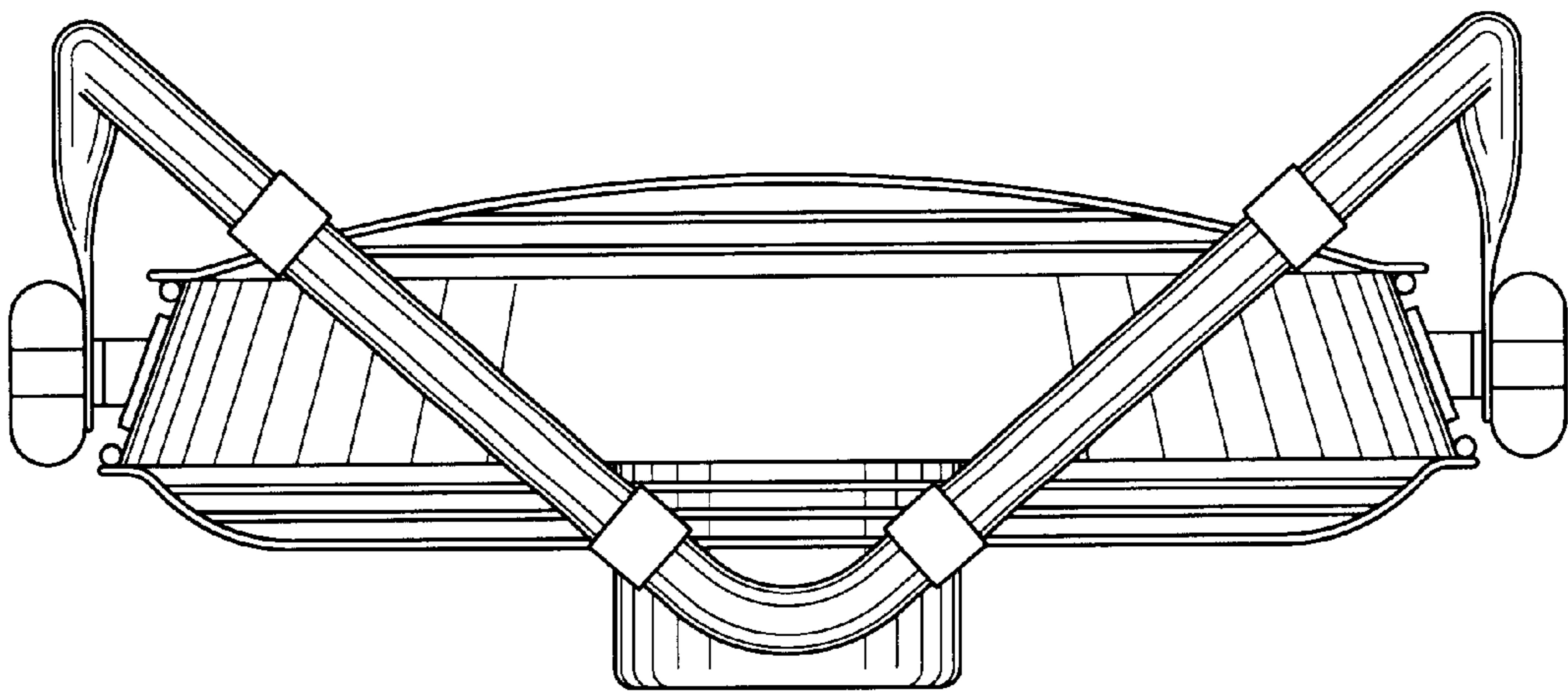


FIG. 6