



US00D480465S

(12) **United States Design Patent**
Wilson

(10) **Patent No.:** **US D480,465 S**

(45) **Date of Patent:** **** Oct. 7, 2003**

(54) **CEILING FAN**

(75) Inventor: **Isaac Wilson**, San Antonio, TX (US)

(73) Assignee: **Craftmade International, Inc.**,
Coppell, TX (US)

(**) Term: **14 Years**

(21) Appl. No.: **29/173,814**

(22) Filed: **Jan. 7, 2003**

(51) **LOC (7) Cl.** **23-04**

(52) **U.S. Cl.** **D23/377**

(58) **Field of Search** D23/411, 377,
D23/379, 385, 413; 416/5; 392/364

(56) **References Cited**

U.S. PATENT DOCUMENTS

D357,978 S * 5/1995 Young D23/377

D407,154 S * 3/1999 Thomas D23/411

* cited by examiner

Primary Examiner—Lisa Lichtenstein

(74) *Attorney, Agent, or Firm*—Haynes and Boone, LLP

(57) **CLAIM**

The ornamental design for ceiling fan, as shown and described,

DESCRIPTION

FIG. 1 is a bottom perspective view of the ceiling fan showing my design;

FIG. 2 is a side elevational view thereof;

FIG. 3 is a side elevational view thereof;

FIG. 4 is a side elevational view thereof;

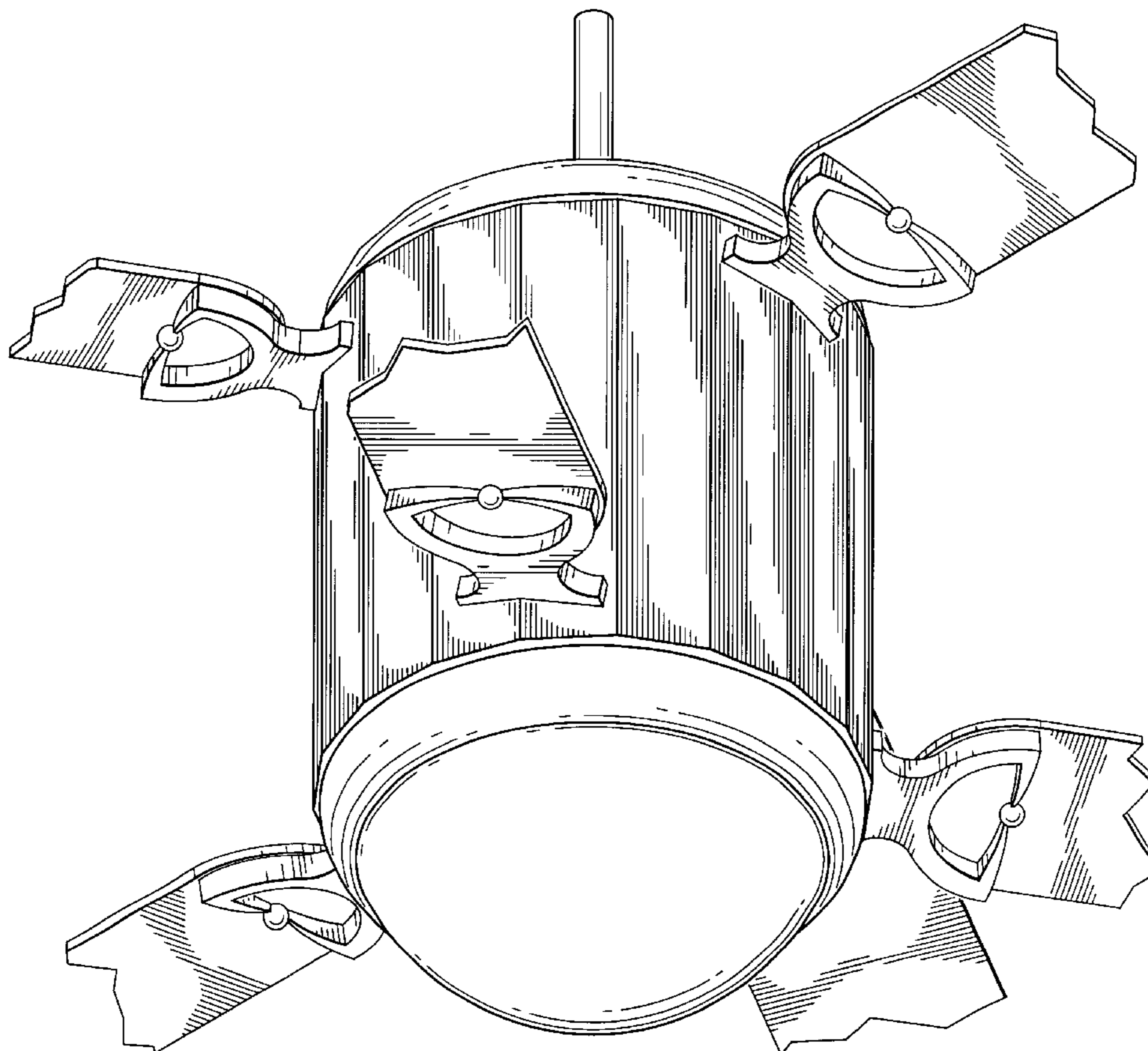
FIG. 5 is a side elevational view thereof;

FIG. 6 is a top plan view thereof; and,

FIG. 7 is a bottom plan view thereof.

The blades and the support rod have been shown broken away in FIGS.1-7 to indicate indeterminate length.

1 Claim, 7 Drawing Sheets



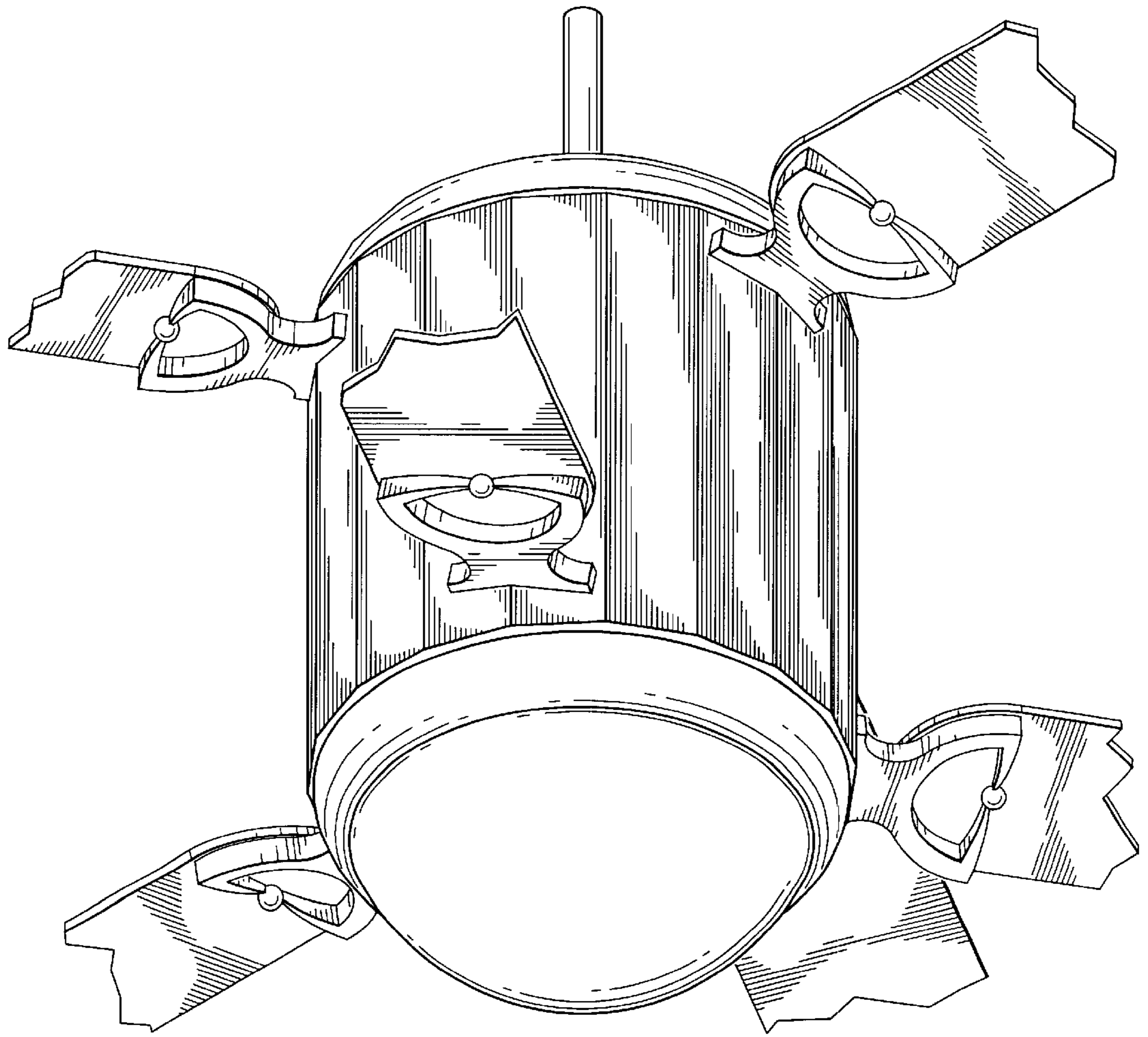


Fig. 1

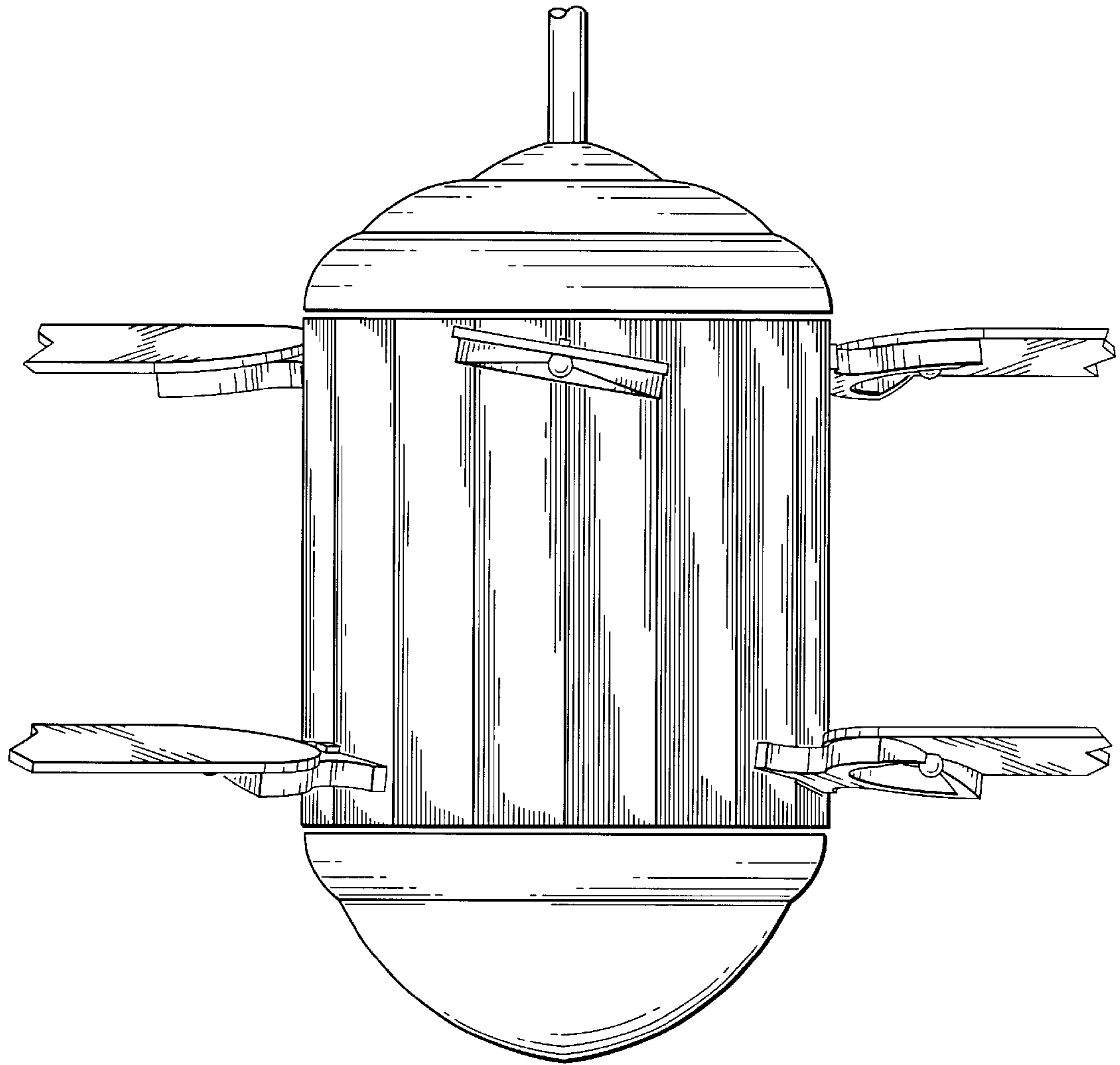


Fig. 2

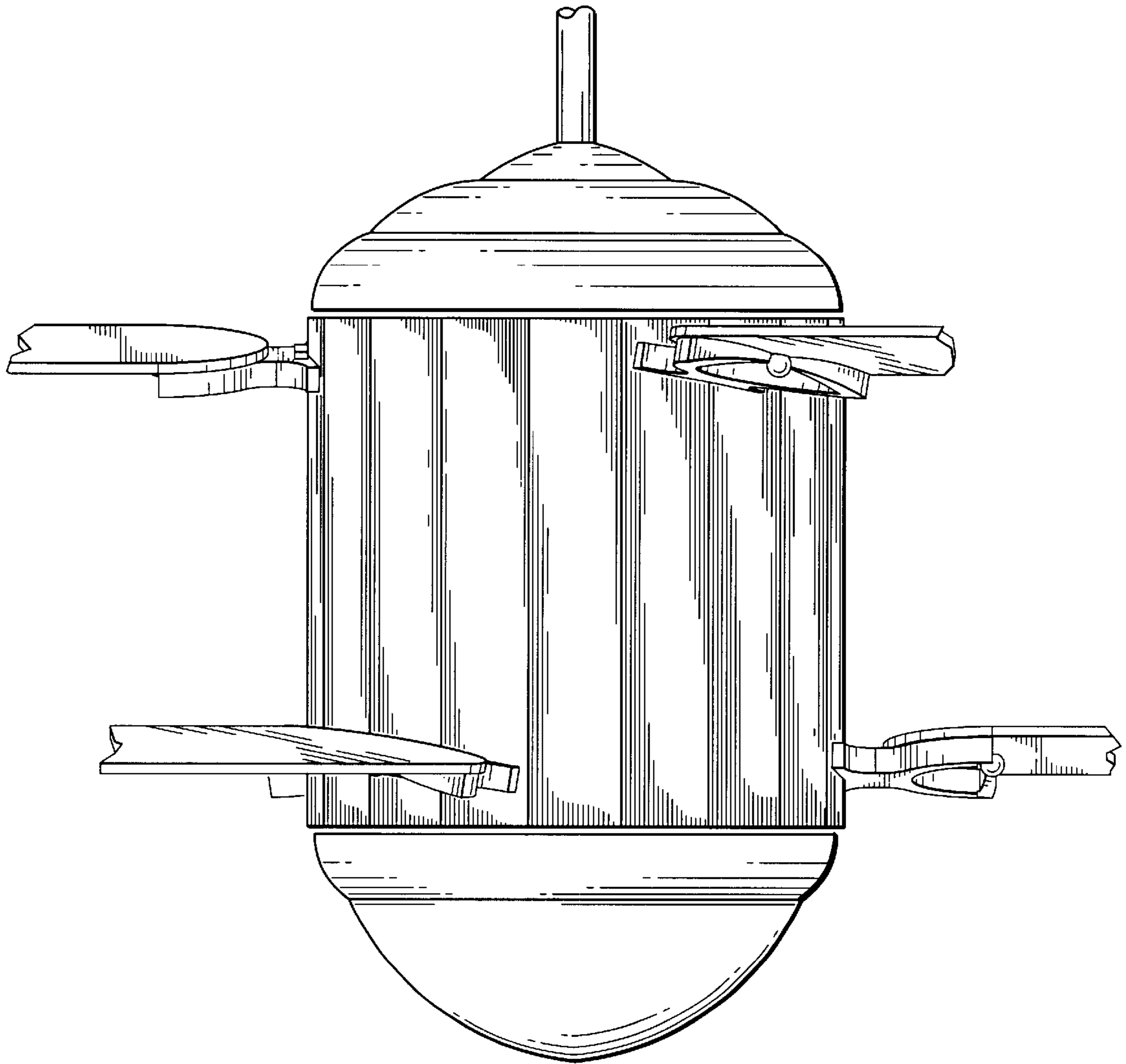


Fig. 3

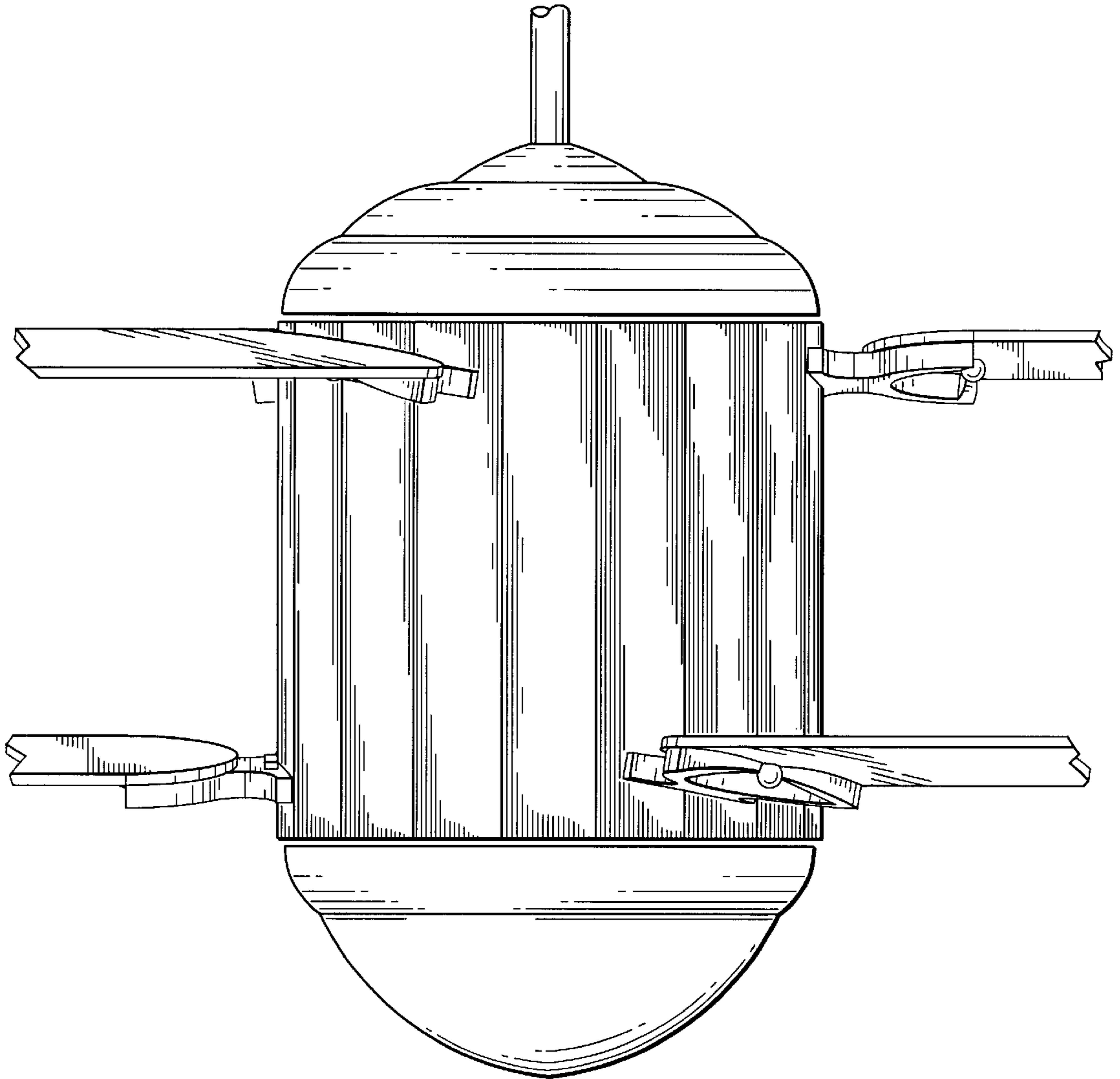


Fig. 4

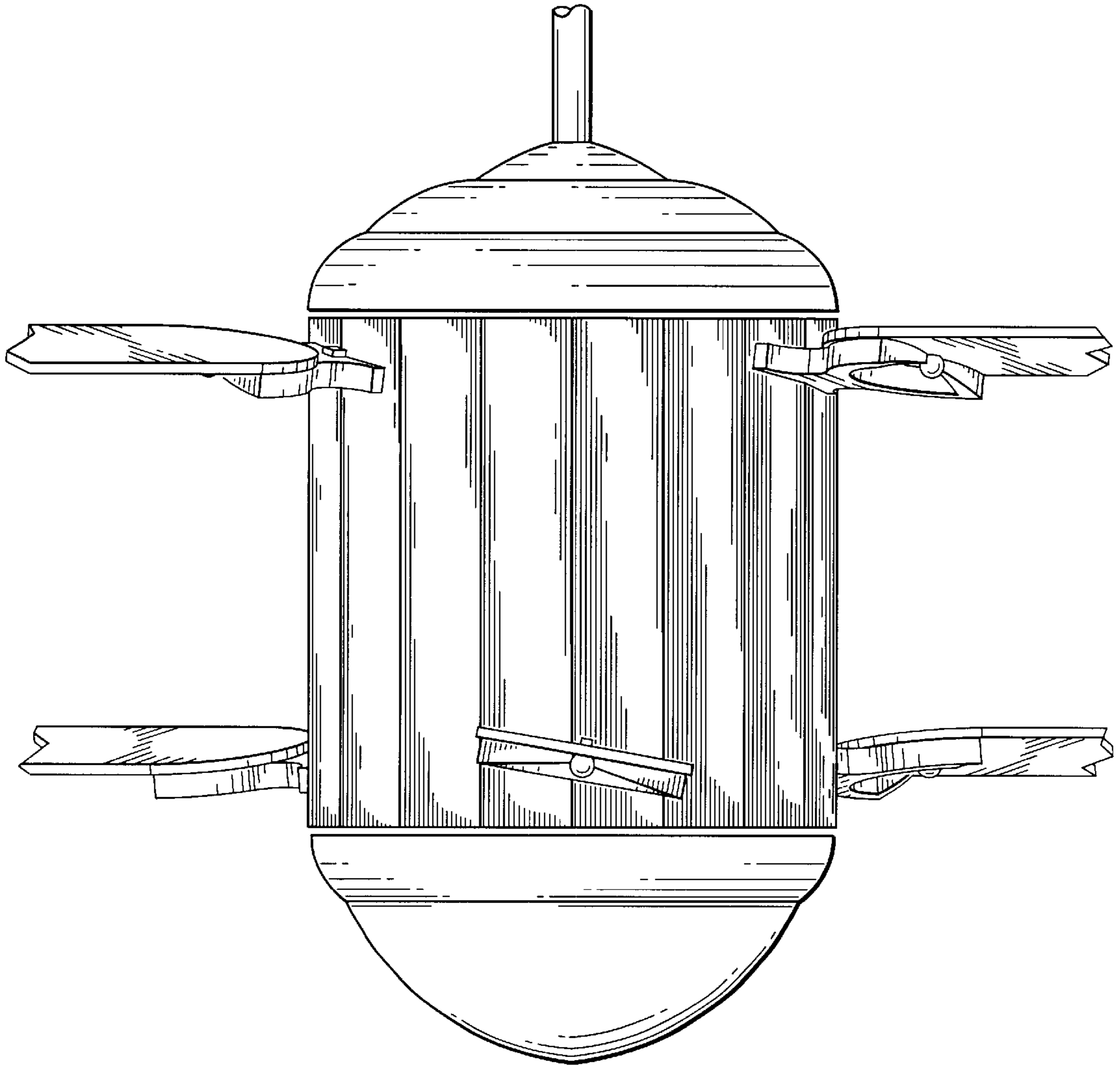


Fig. 5

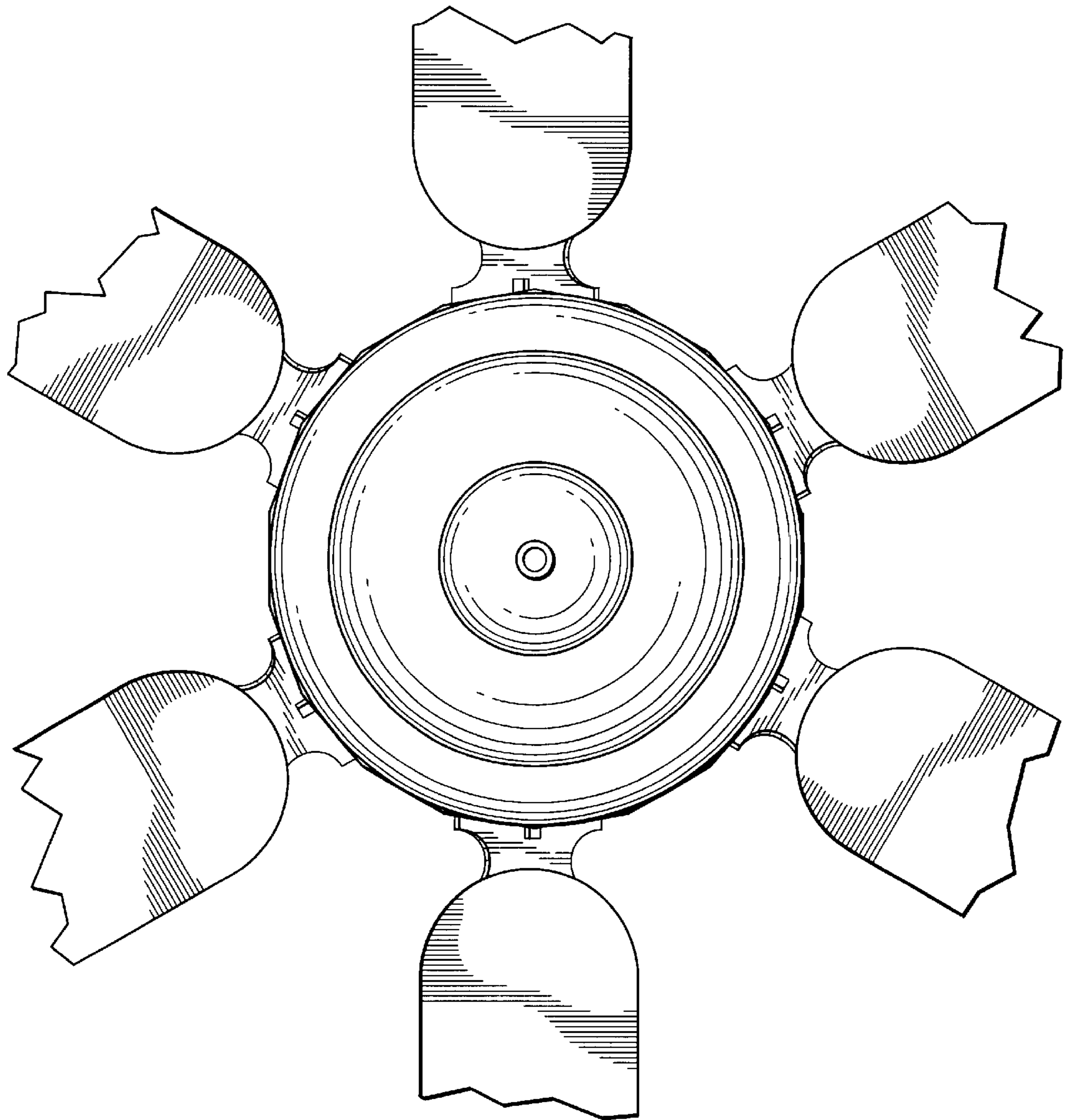


Fig. 6

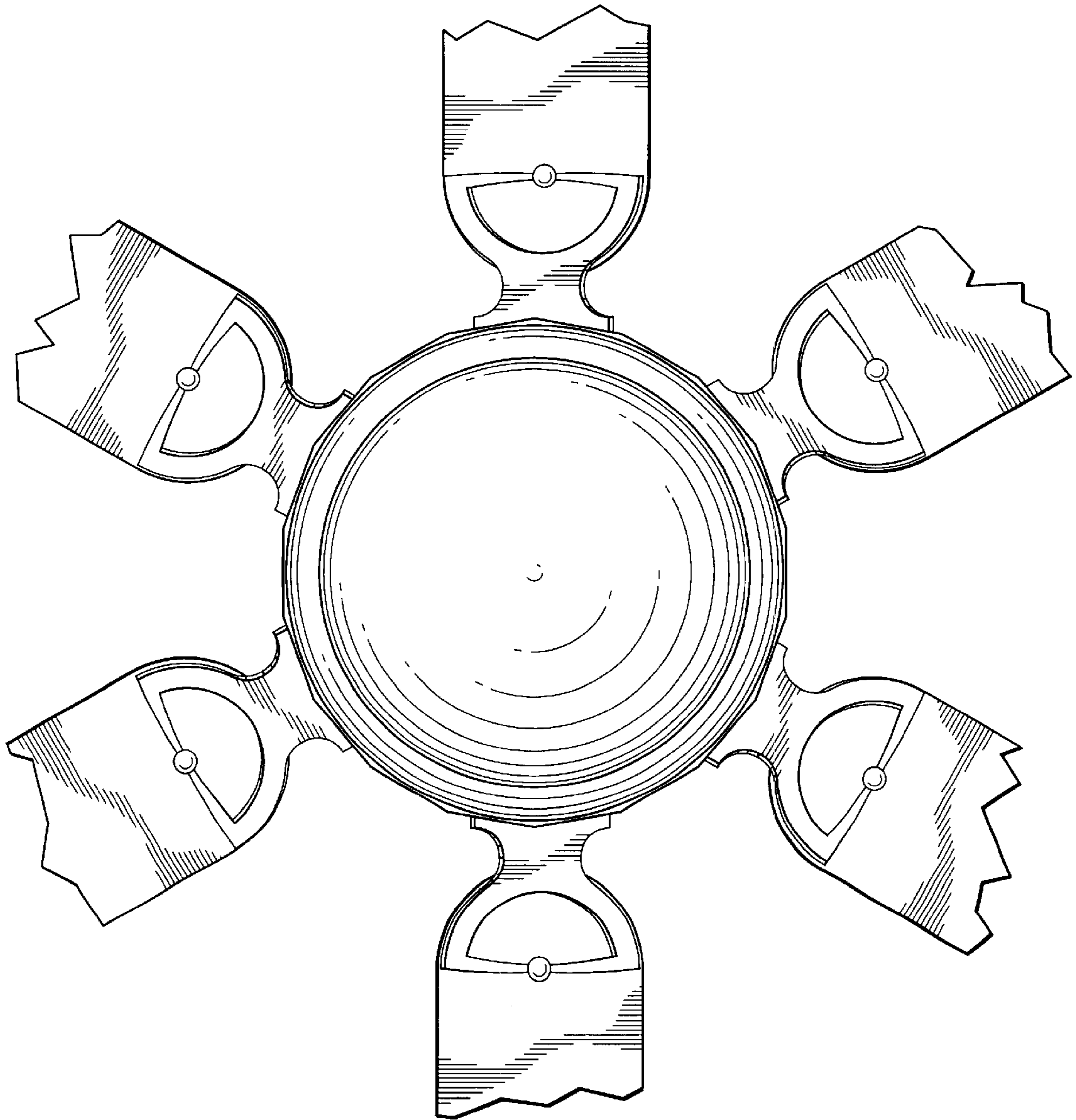


Fig. 7