



US00D480464S

(12) **United States Design Patent**
Liu

(10) **Patent No.:** **US D480,464 S**

(45) **Date of Patent:** **** Oct. 7, 2003**

(54) **ADVERTISING CEILING FAN**

(75) **Inventor:** **Ching-Wen Liu, Taichung Hsien (TW)**

(73) **Assignee:** **Pan Air Electric Co., Ltd., Taichung Hsien (TW)**

(**) **Term:** **14 Years**

(21) **Appl. No.:** **29/171,943**

(22) **Filed:** **Dec. 2, 2002**

(51) **LOC (7) Cl.** **23-04**

(52) **U.S. Cl.** **D23/377**

(58) **Field of Search** **D23/377, 379, D23/385, 411, 413; 416/5; 392/364**

(56) **References Cited**

U.S. PATENT DOCUMENTS

D420,120 S * 2/2000 Evans D23/377
D462,756 S * 9/2002 Liu D23/377

* cited by examiner

Primary Examiner—Lisa Lichtenstein
(74) *Attorney, Agent, or Firm*—Charles E. Baxley

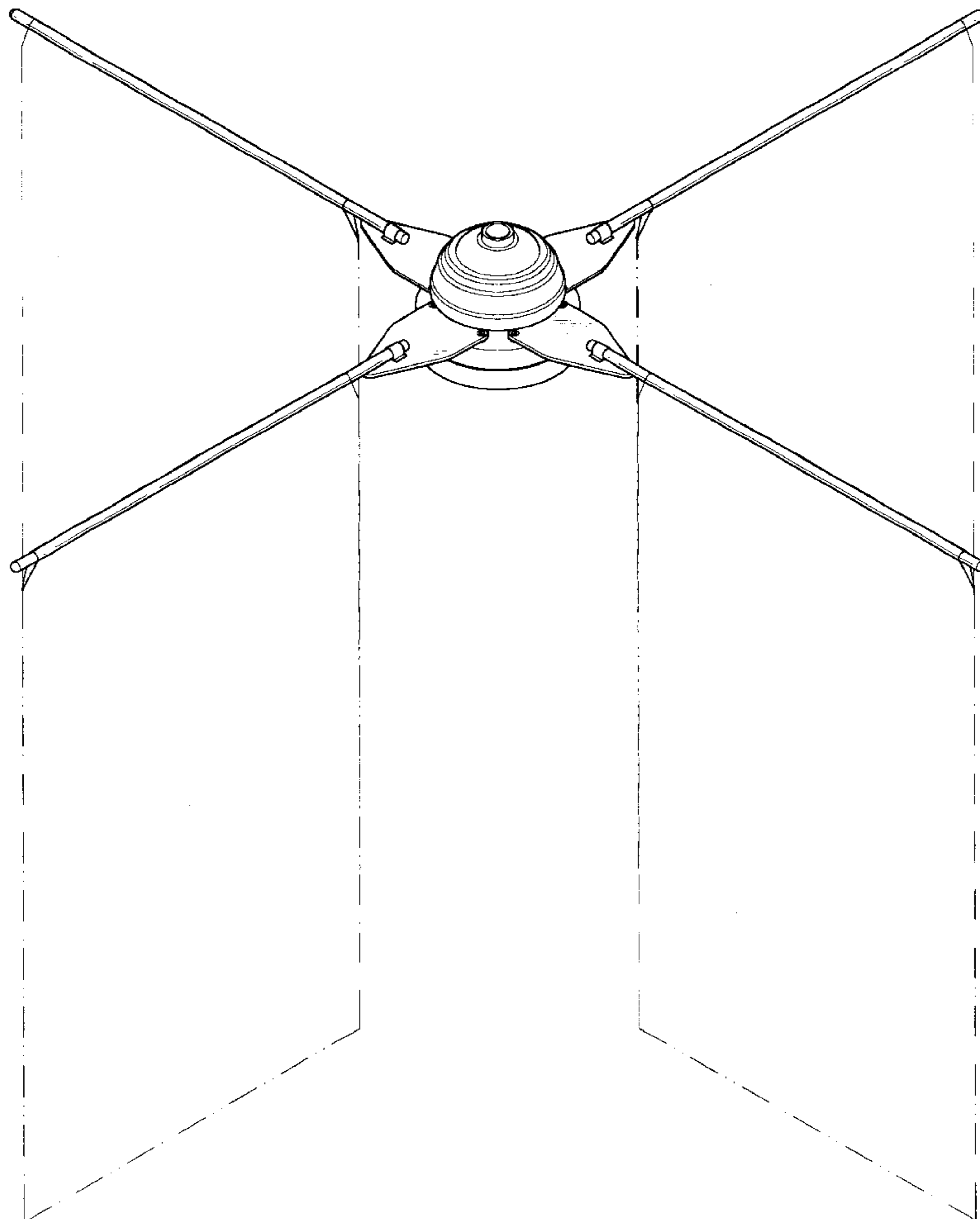
(57) **CLAIM**

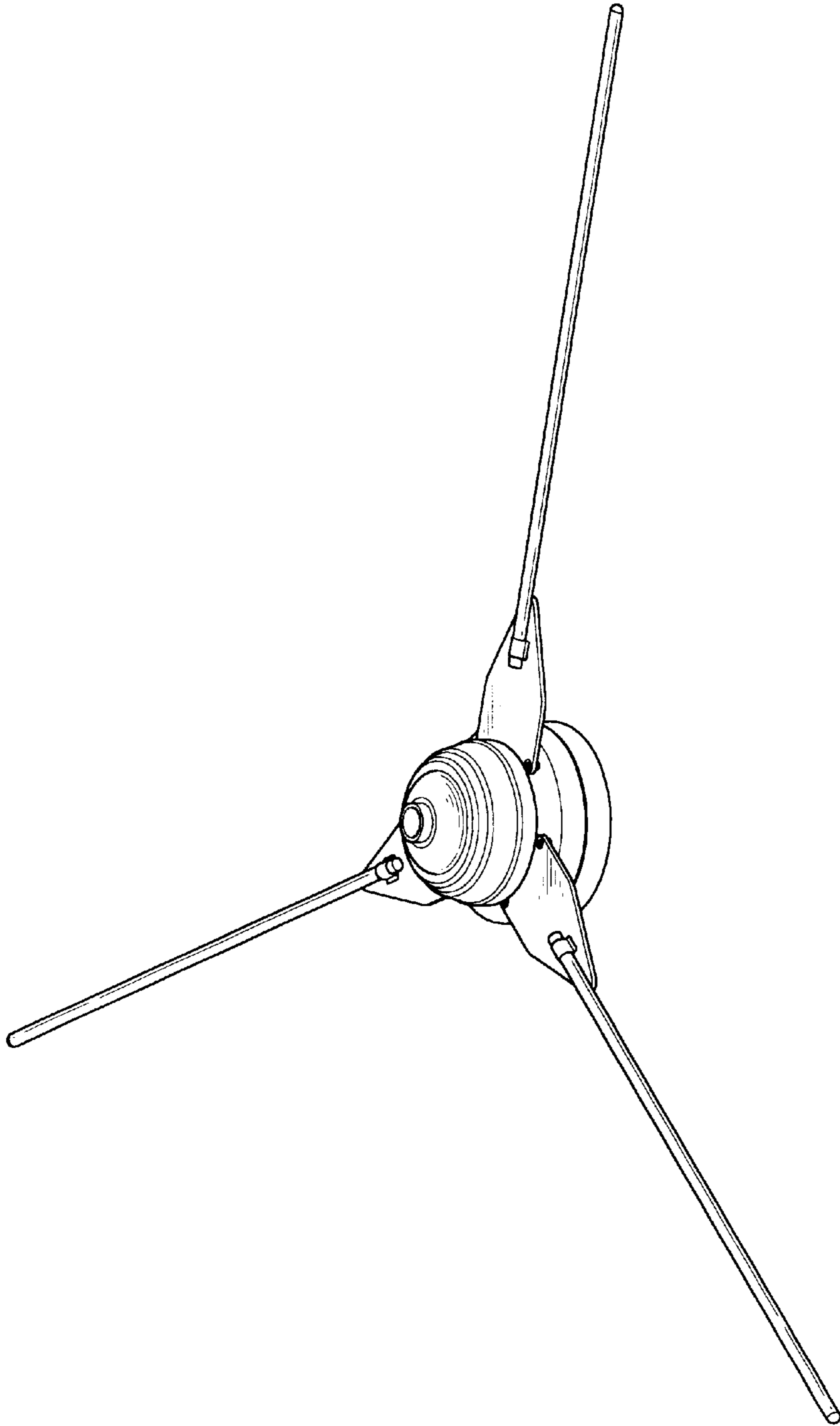
The ornamental design for an advertising ceiling fan, as shown and described.

DESCRIPTION

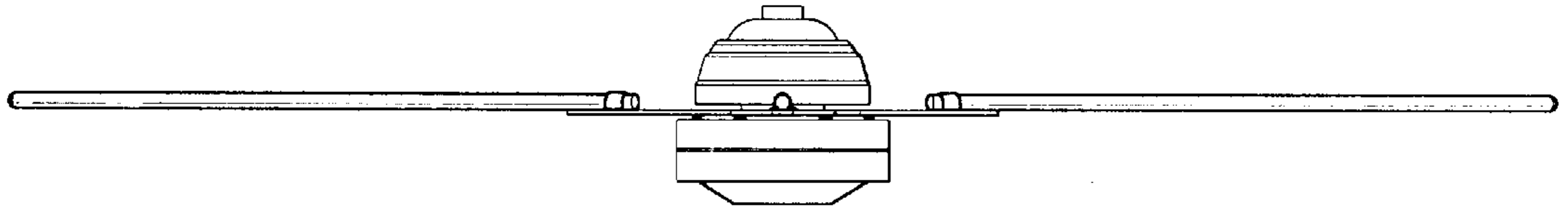
FIG. 1 is a perspective view of an advertising ceiling fan showing my new design;
FIG. 2 is a front elevational view thereof;
FIG. 3 is a rear elevational view thereof,
FIG. 4 is a left side elevational view thereof,
FIG. 5 is a right side elevational view thereof,
FIG. 6 is a top plan view thereof; and
FIG. 7 is a bottom plan view to that shown.
FIG. 8 is a perspective view of advertising ceiling fan, the broken lines shown are for illustrative purposes only and from no part of the claimed design; and,
FIG. 9 is a perspective view of advertising ceiling fan, the broken lines shown are for illustrative purposes only and from no part of the claimed design.

1 Claim, 7 Drawing Sheets

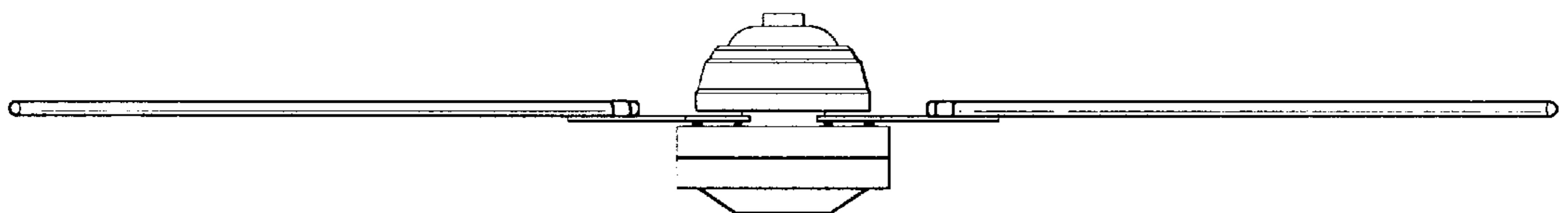




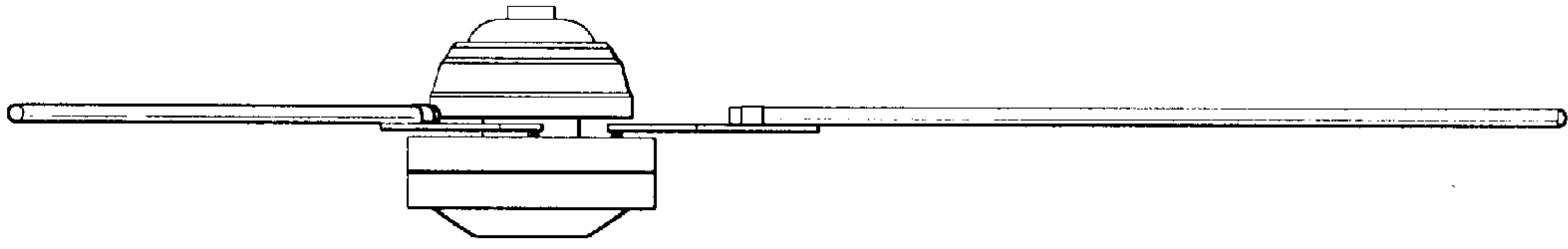
F I G. 1



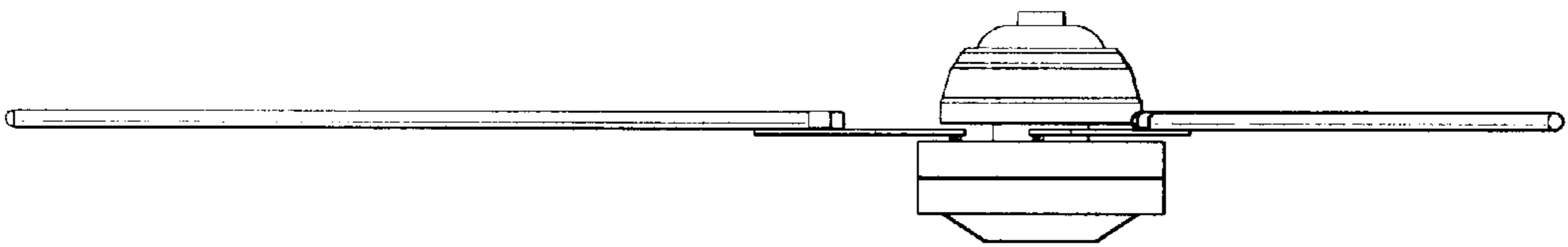
F I G. 2



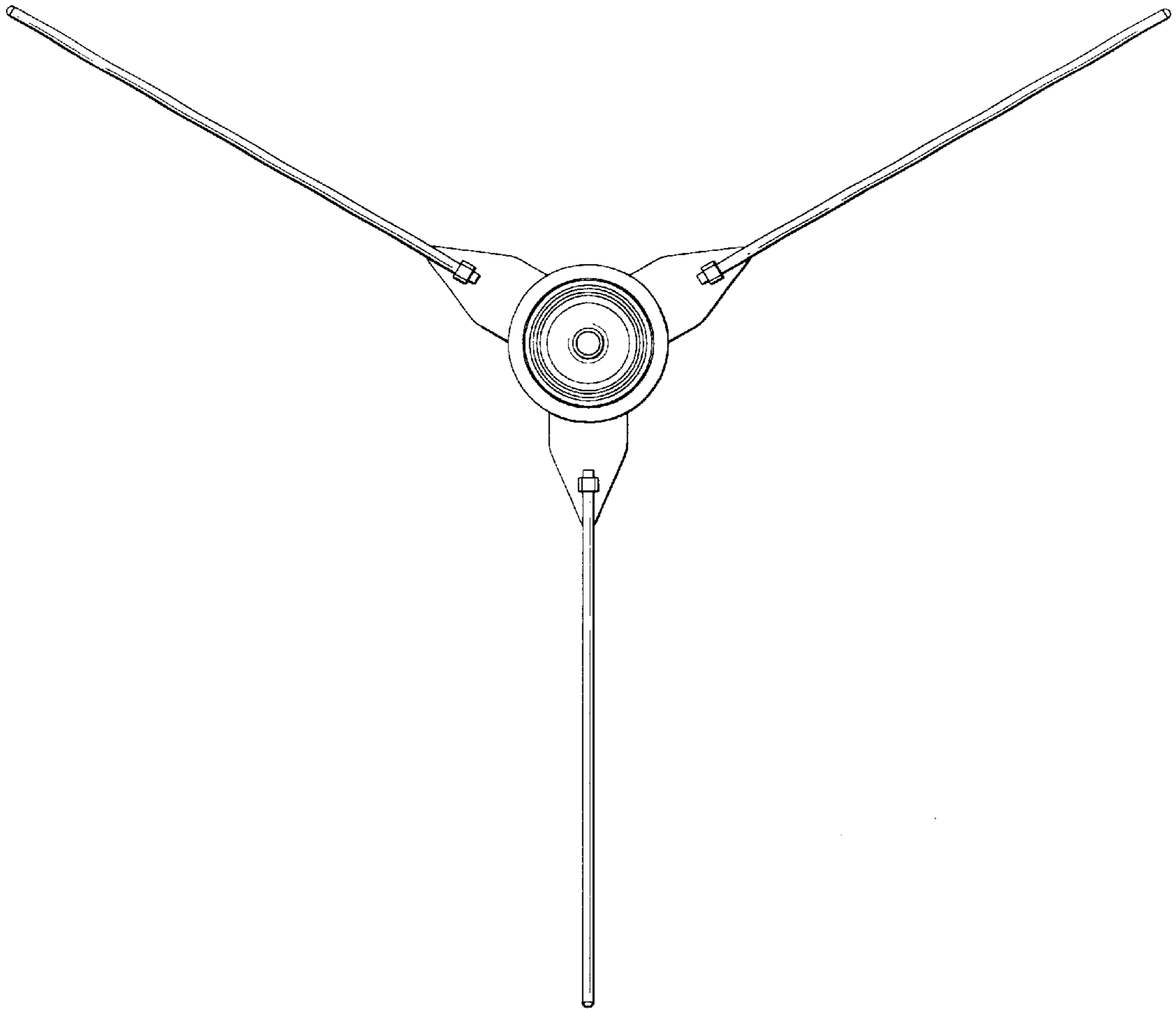
F I G. 3



F I G. 4



F I G. 5



F I G. 6

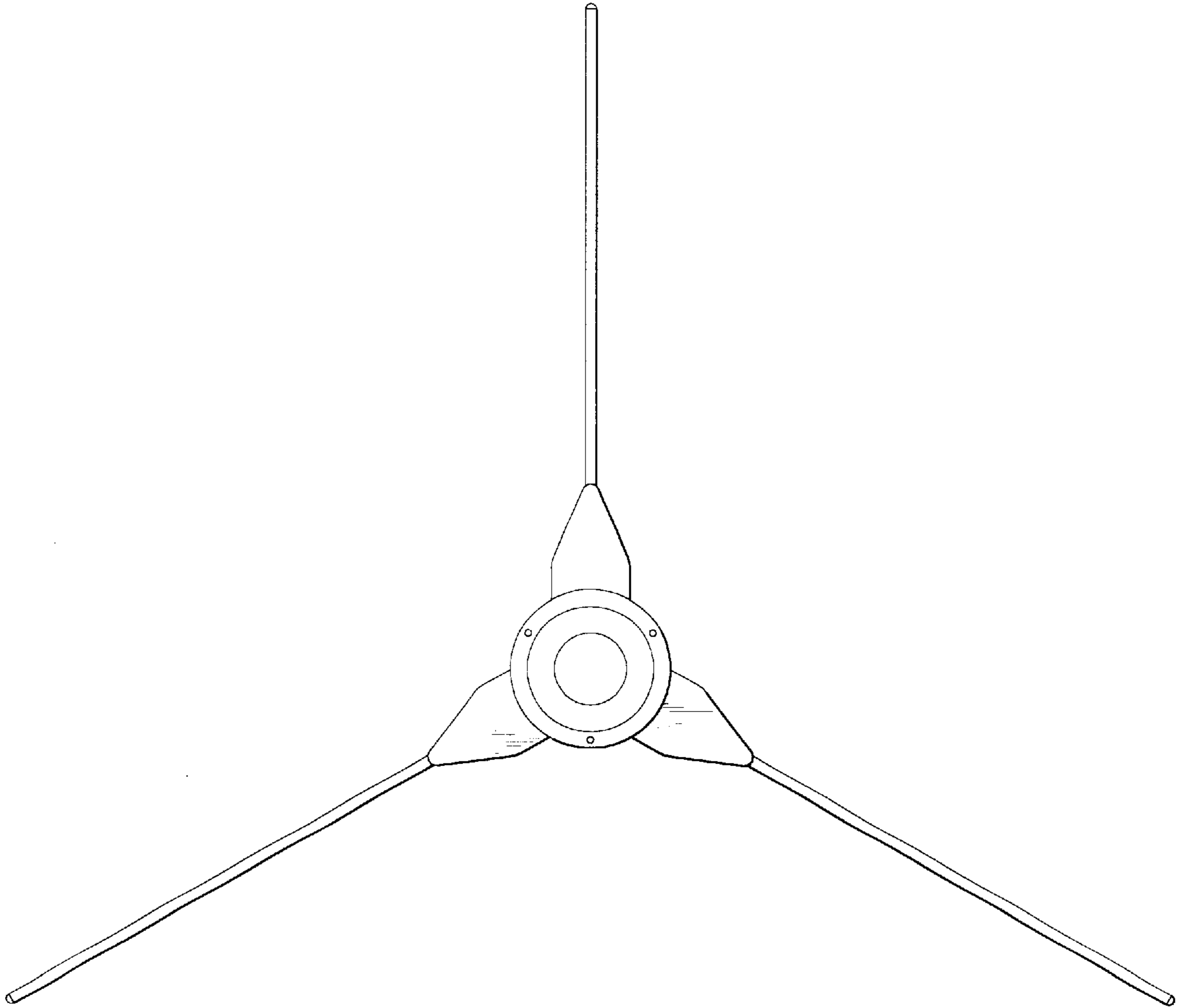
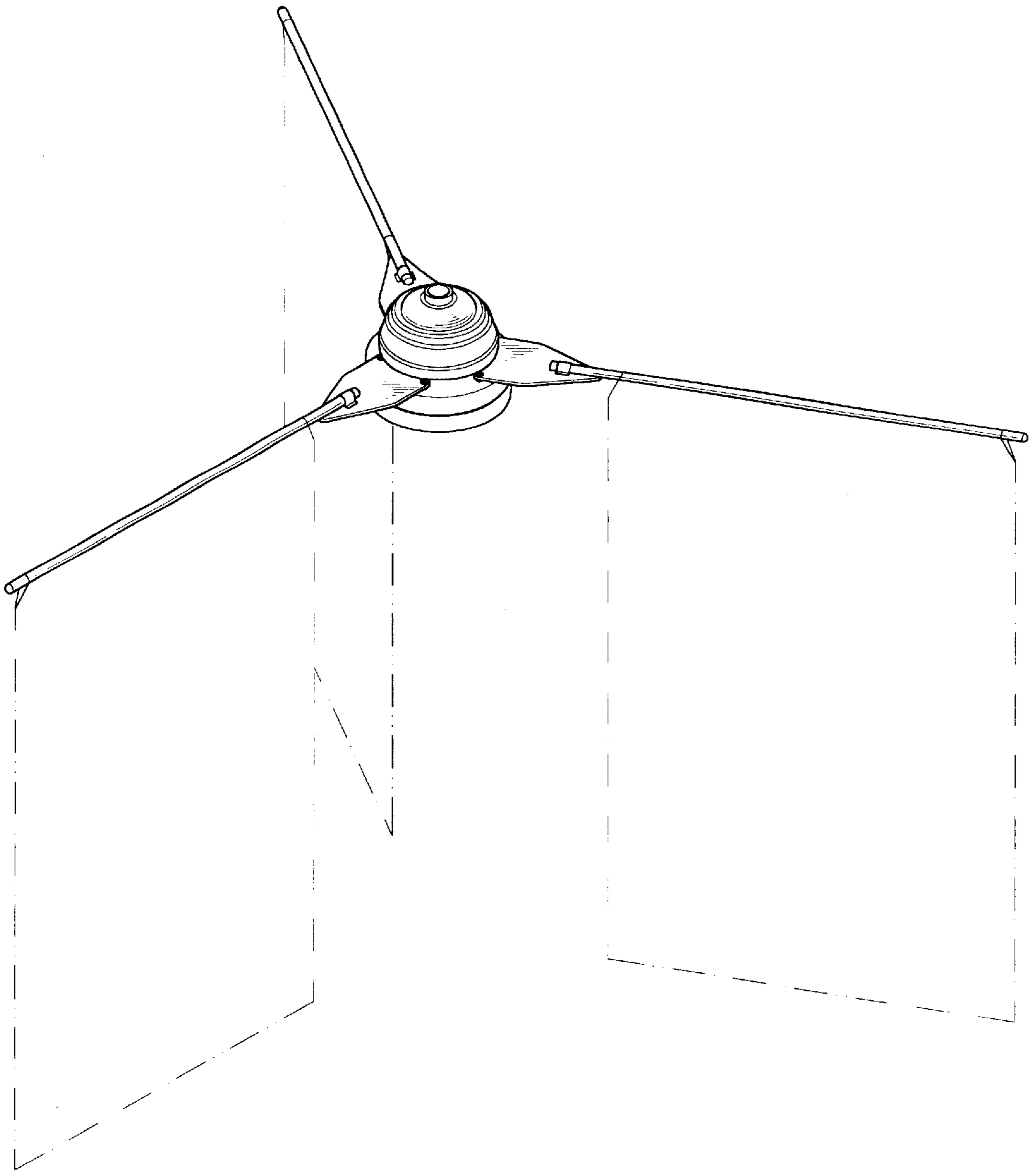
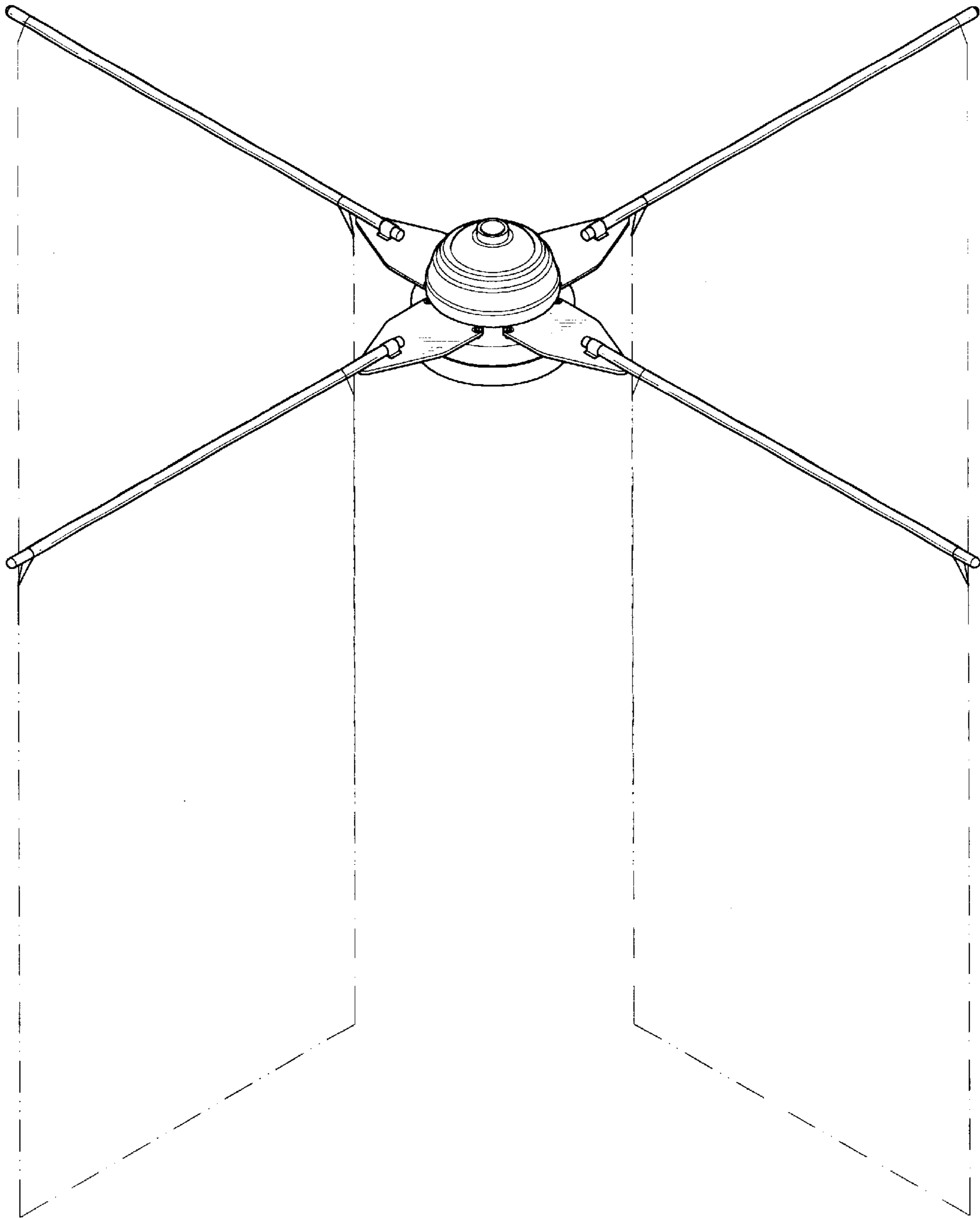


FIG. 7



F I G. 8



F I G . 9