



US00D480463S

(12) **United States Design Patent**
Gajewski

(10) **Patent No.:** **US D480,463 S**

(45) **Date of Patent:** **** Oct. 7, 2003**

(54) **COMBINATION CEILING FAN HOUSING AND LIGHT FIXTURE**

Primary Examiner—Lisa Lichtenstein
(74) *Attorney, Agent, or Firm*—Jenkins & Gilchrist, P.C.

(75) **Inventor:** **Mark Gajewski**, San Luis Obispo, CA (US)

(57) **CLAIM**

The ornamental design for the combination ceiling fan housing and light fixture, as shown and described.

(73) **Assignee:** **Minka Lighting, Inc.**, Corona, CA (US)

(**) **Term:** **14 Years**

DESCRIPTION

(21) **Appl. No.:** **29/161,353**

FIG. 1 is a top view of the combination ceiling fan housing and light fixture in accordance with my design;

(22) **Filed:** **May 28, 2002**

FIG. 2 is a bottom view of the combination ceiling fan housing and light fixture in accordance with my design;

(51) **LOC (7) Cl.** **23-04**

FIG. 3 is a side elevation view of the combination ceiling fan housing and light fixture in accordance with my design;

(52) **U.S. Cl.** **D23/377**

FIG. 4 is a front elevation view of the combination ceiling fan housing and light fixture in accordance with my design; and,

(58) **Field of Search** D23/377, 379, D23/385, 411, 413; 416/5; D26/59, 51, 72, 79, 81-86, 88; 392/364; 362/96

FIG. 5 is a perspective view of the combination ceiling fan housing and light fixture in accordance with my design.

(56) **References Cited**

The right and left elevational views are mirror images of each other.

U.S. PATENT DOCUMENTS

The front and back elevational views are mirror images of each other.

- D417,496 S * 12/1999 Chang et al. D23/377
- D417,499 S * 12/1999 Zuege D23/411
- D428,133 S * 7/2000 Chen D23/411

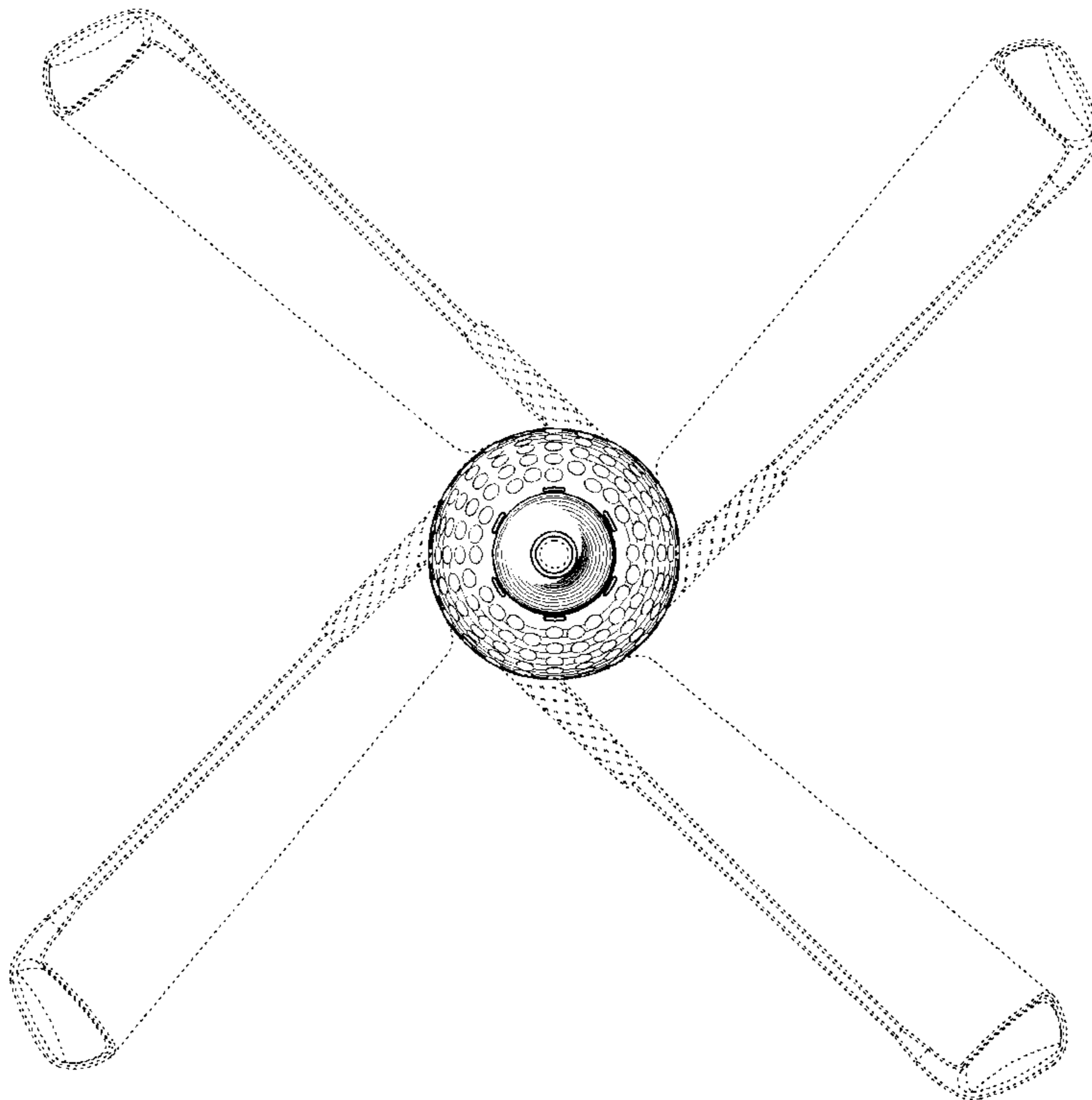
OTHER PUBLICATIONS

Minka Lighting, Inc.; MinkaAire Two Thousand Two; Apr. 22, 2002; pp. 24, 25; Minka Lighting, Inc.; U.S.A.

The broken line showing of environmental structure in FIGS. 1-5 is for illustrative purposes only and forms no part of the claimed design.

* cited by examiner

1 Claim, 4 Drawing Sheets



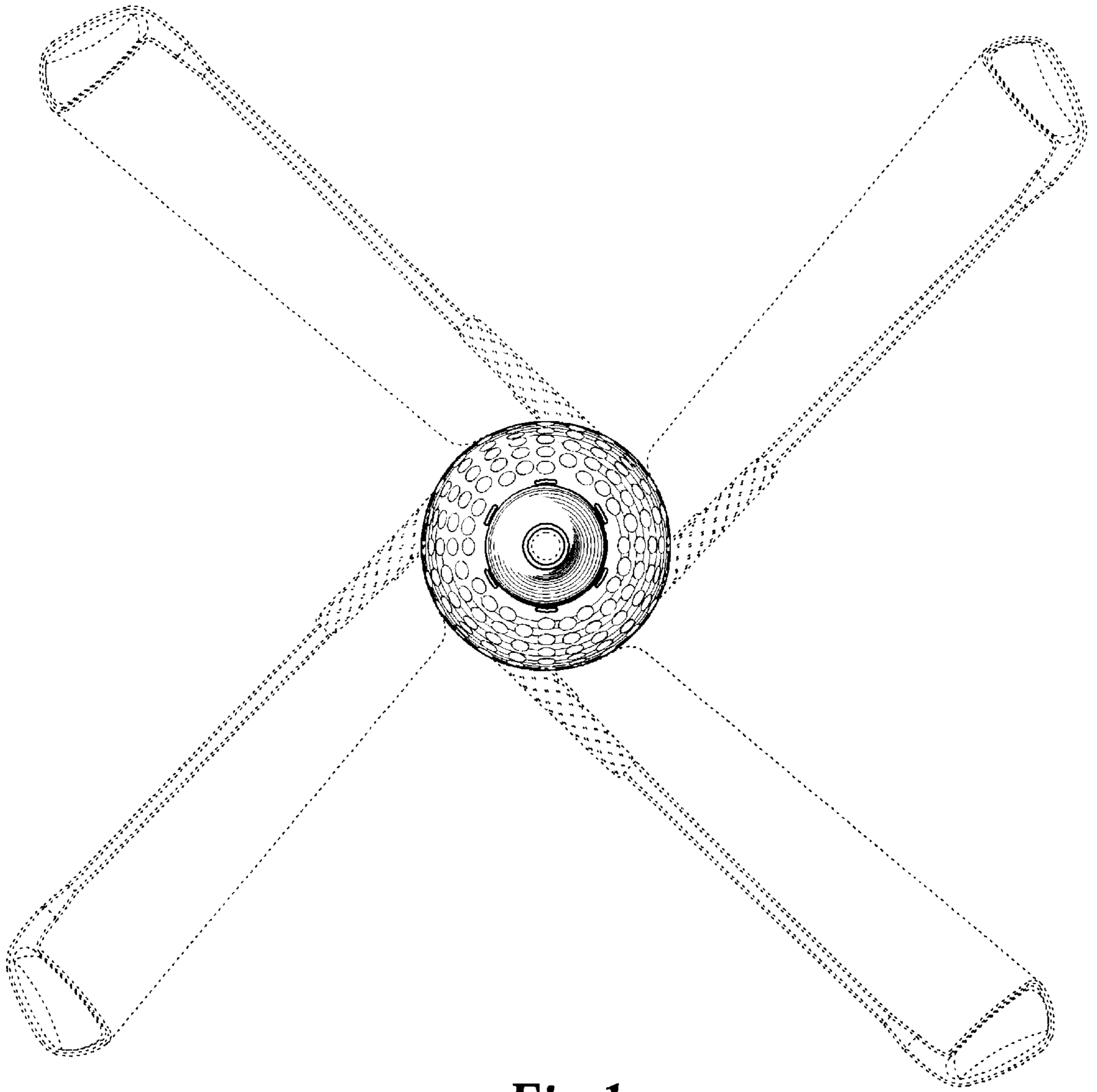


Fig.1

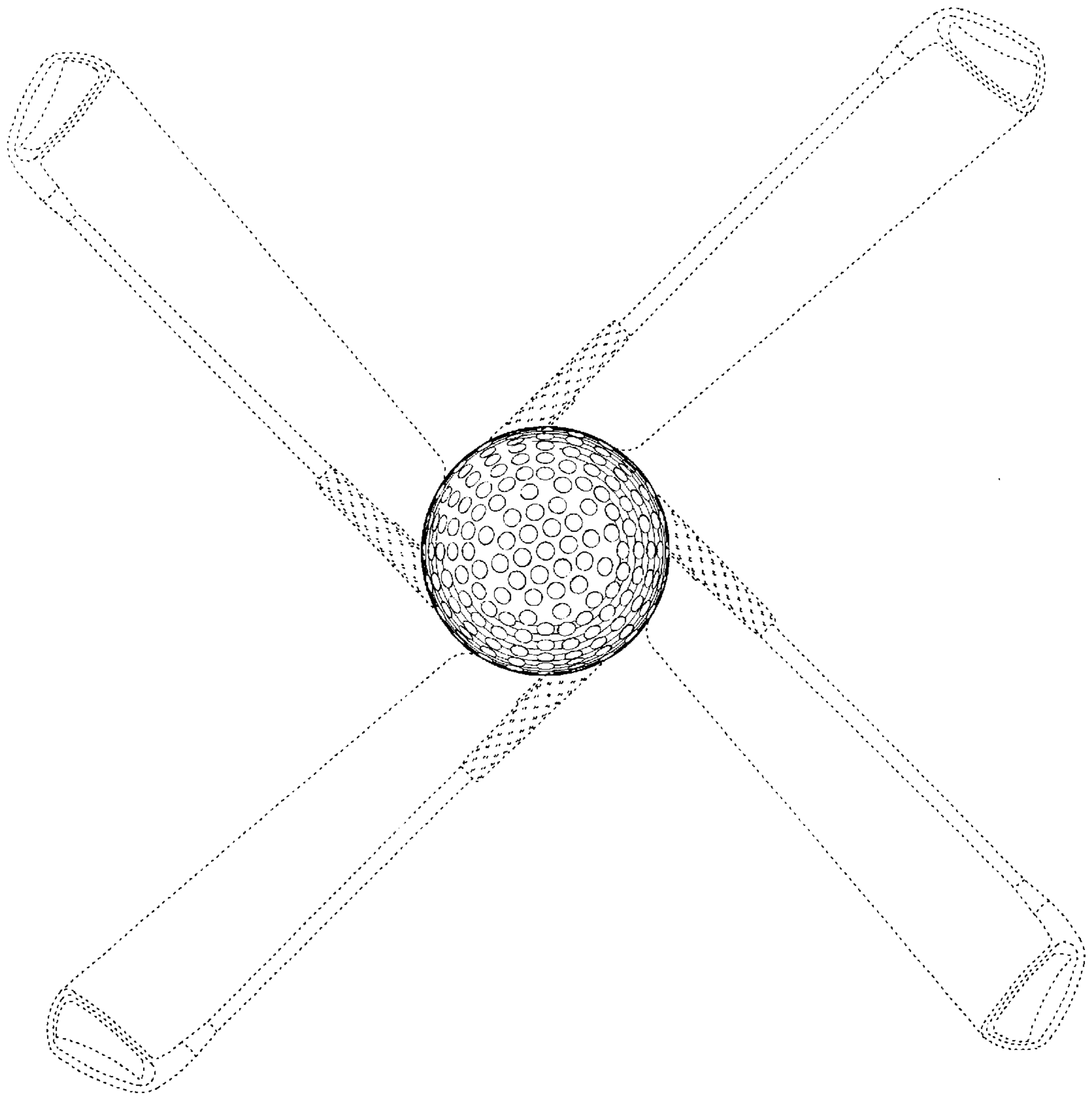


Fig.2

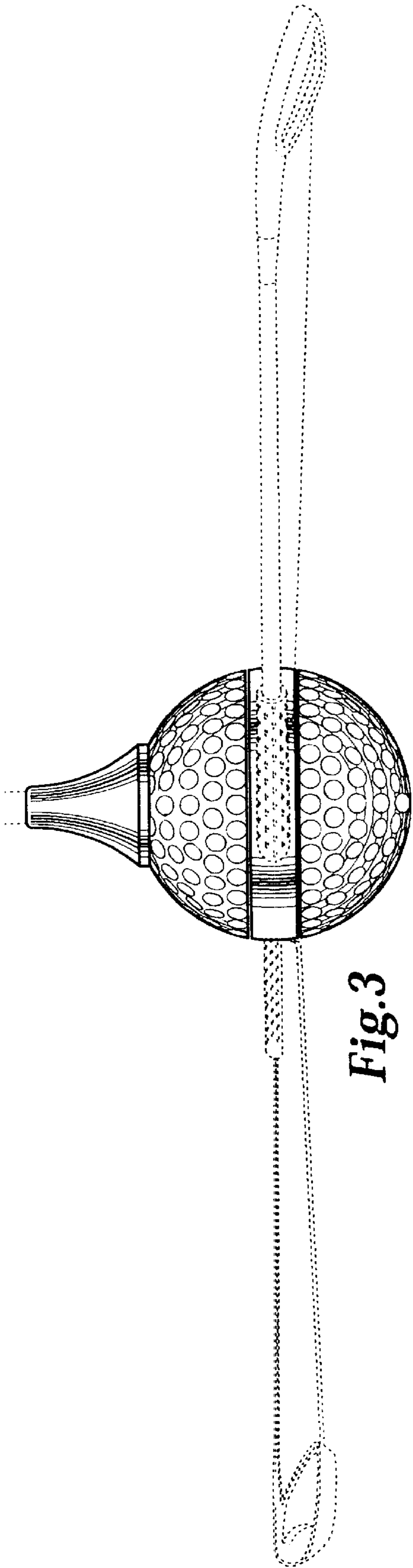


Fig. 3

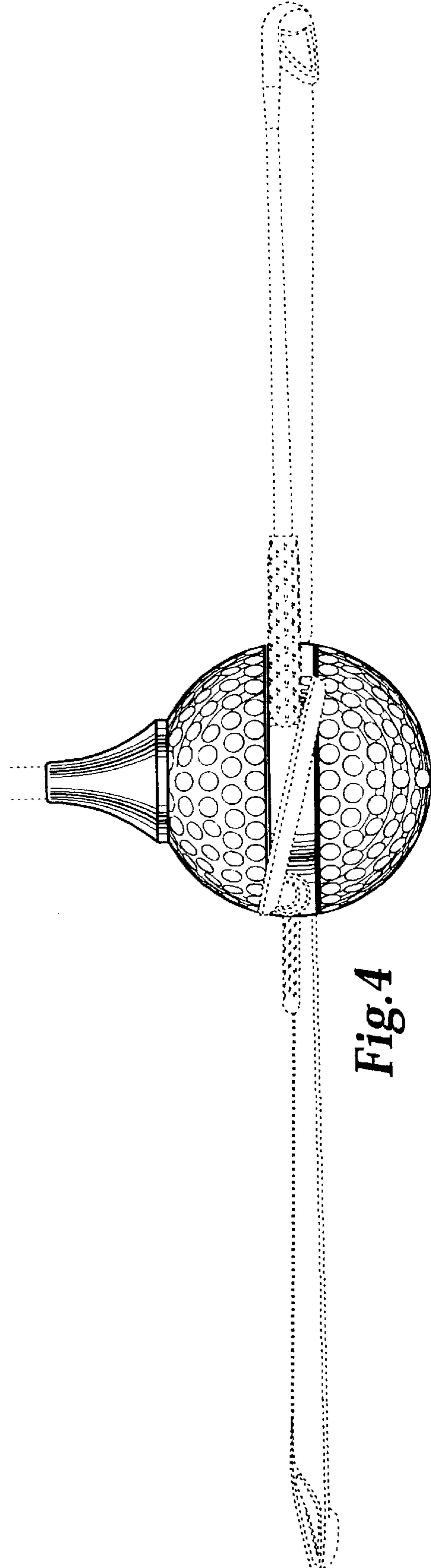


Fig. 4

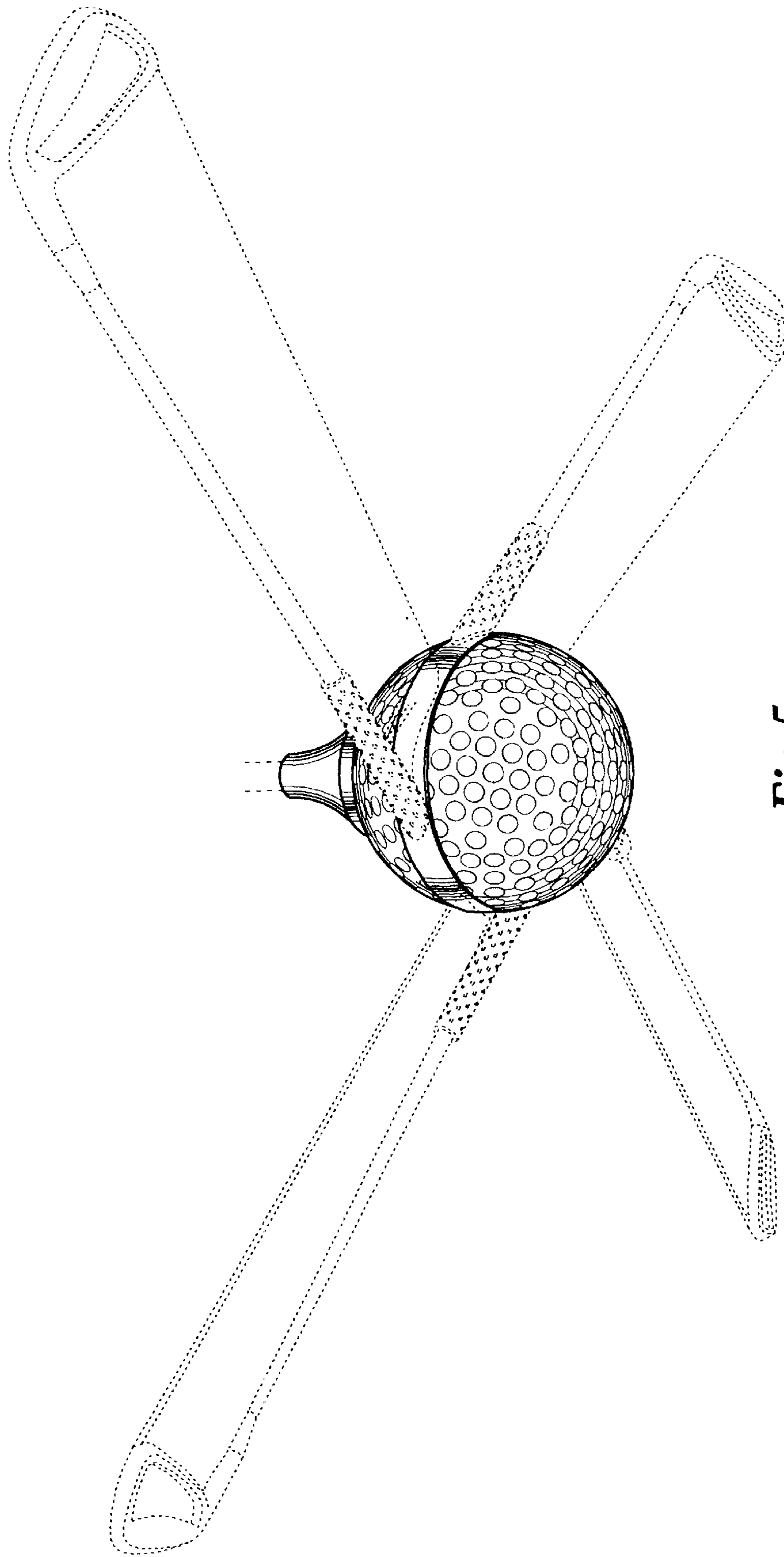


Fig. 5

UNITED STATES PATENT AND TRADEMARK OFFICE
CERTIFICATE OF CORRECTION

PATENT NO. : Des. 480,463 S
DATED : October 7, 2003
INVENTOR(S) : Mark Gajewski

Page 1 of 1

It is certified that error appears in the above-identified patent and that said Letters Patent is hereby corrected as shown below:

Title page,

DESCRIPTION, insert -- from below -- after “FIG. 5 is a perspective view” and before “of the combination ceiling fan”.

Signed and Sealed this

Twenty-seventh Day of January, 2004

A handwritten signature in black ink that reads "Jon W. Dudas". The signature is written in a cursive style with a large, looped initial "J".

JON W. DUDAS

Acting Director of the United States Patent and Trademark Office