



US00D480462S

(12) **United States Design Patent**  
**Conway et al.**

(10) **Patent No.:** **US D480,462 S**

(45) **Date of Patent:** **\*\* Oct. 7, 2003**

(54) **HOLDER FOR A BOTTLE FOR MOUNTING  
IN A RESERVOIR SUCH AS A TOILET TANK**

- D423,265 S \* 4/2000 Azo
- D451,183 S \* 11/2001 Hirano et al.
- D462,431 S \* 9/2002 Bunce et al.
- D475,773 S \* 6/2003 Lammel

(75) Inventors: **Simon M. Conway**, Burlington, WI  
(US); **Steven A. Zach**, Racine, WI (US)

\* cited by examiner

(73) Assignee: **S. C. Johnson & Son, Inc.**, Racine, WI  
(US)

*Primary Examiner*—M. H. Tung

(\*\*) Term: **14 Years**

(57) **CLAIM**

(21) Appl. No.: **29/162,026**

The ornamental design for a holder for a bottle for mounting in a reservoir such as toilet tank, as shown and described.

(22) Filed: **Jun. 7, 2002**

**DESCRIPTION**

(51) **LOC (7) Cl.** ..... **23-04**

In a preferred embodiment, the nature of this product is a holder for a bottle suitable to be mounted in a reservoir such as a toilet tank.

(52) **U.S. Cl.** ..... **D23/368; D23/366**

(58) **Field of Search** ..... D23/366-69; 261/DIG. 65;  
239/211, 53-60; 422/120, 122-4; D7/620,  
608, 624.2; D6/535, 553, 542; D9/500;  
211/74, 75, 71.1

FIG. 1 is a top, right, front perspective view of a bottle holder embodying our new design;

FIG. 2 is a front elevational view thereof, the rear view is identical;

FIG. 3 is a right side elevational view thereof, the left side elevational view being a mirror image of the right side shown;

FIG. 4 is a rear elevational view thereof;

FIG. 5 is a top plan view thereof; and,

FIG. 6 is a bottom plan view thereof.

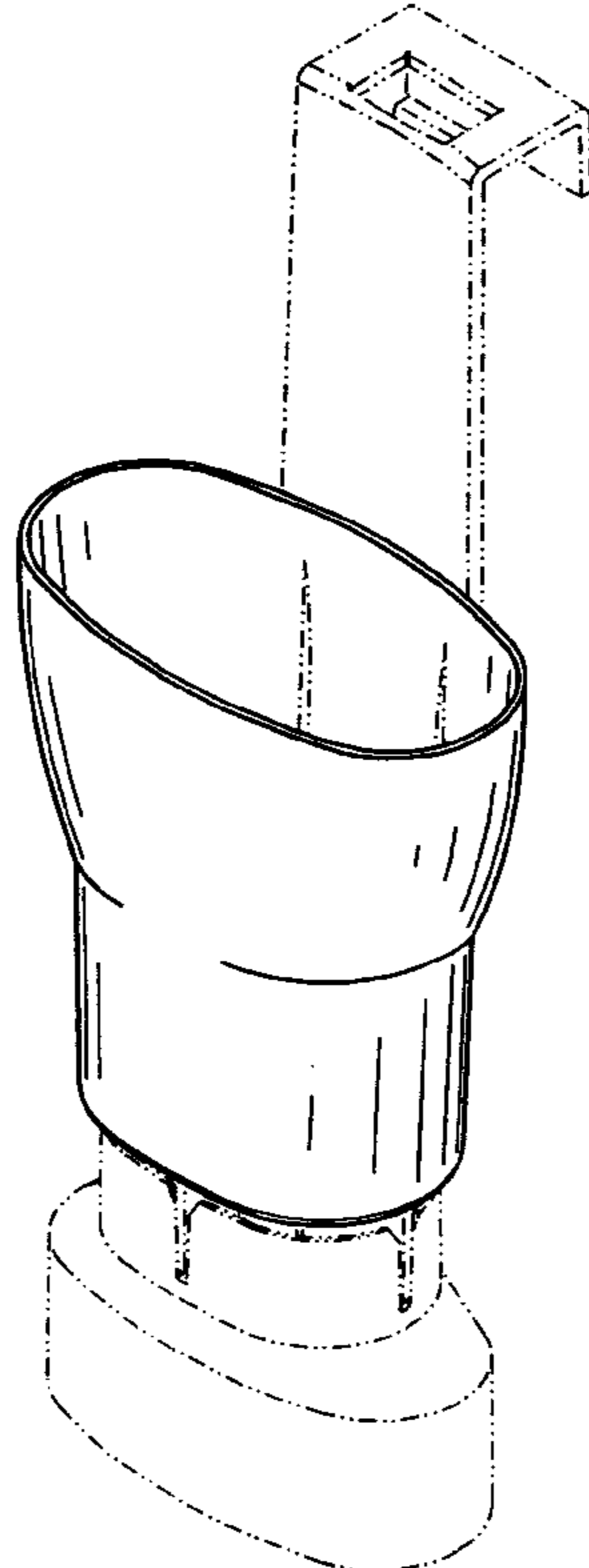
The broken line representations of mounting structure in FIGS. 1-6, of a float assembly in FIGS. 1-4 and 6, and of internal structure in FIGS. 5 and 6, are for the purpose of illustration only, and form no part of the claimed design.

(56) **References Cited**

**U.S. PATENT DOCUMENTS**

4,436,269	A	3/1984	Dirksing et al.	
4,543,071	A	9/1985	Murakami et al.	4/228
D338,523	S	* 8/1993	Zlotnik et al.	
5,551,095	A	9/1996	Chen	4/227.3
D376,840	S	12/1996	Perkins	D23/313
D378,795	S	* 4/1997	King	
D386,256	S	* 11/1997	Turpin	
5,839,128	A	11/1998	Wang	4/227.2
5,903,930	A	5/1999	Huang	

**1 Claim, 2 Drawing Sheets**



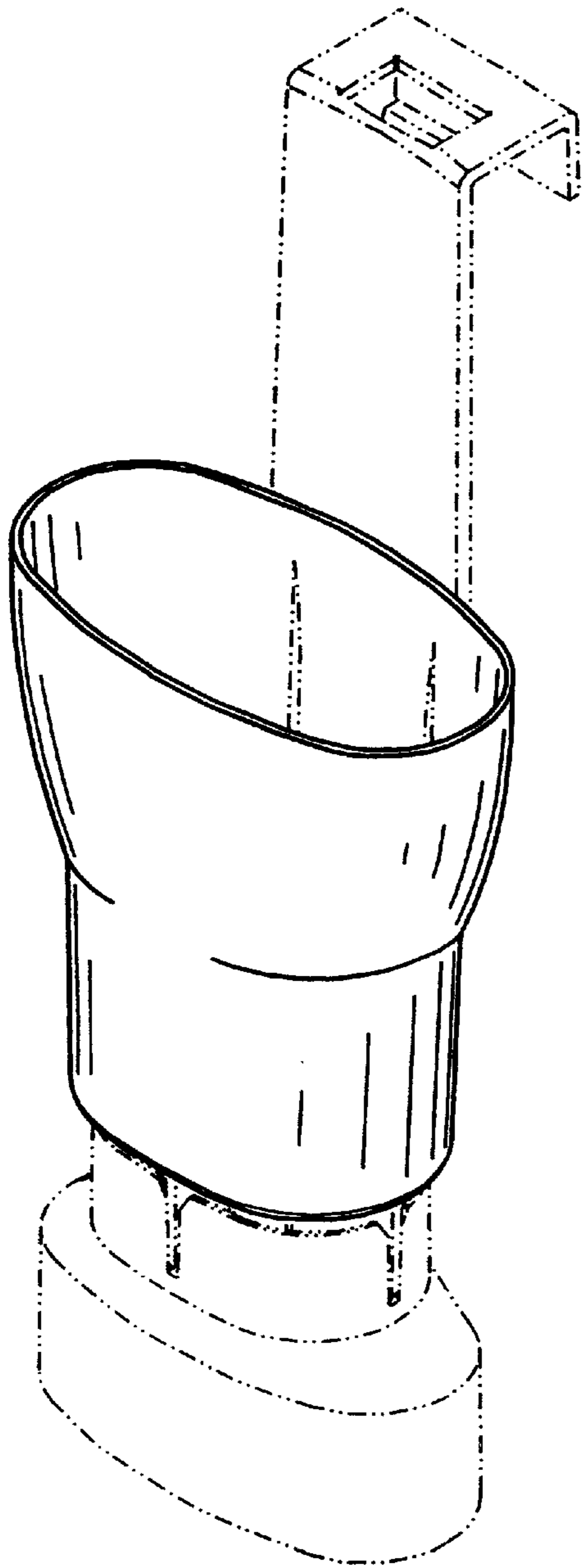


FIG. 1

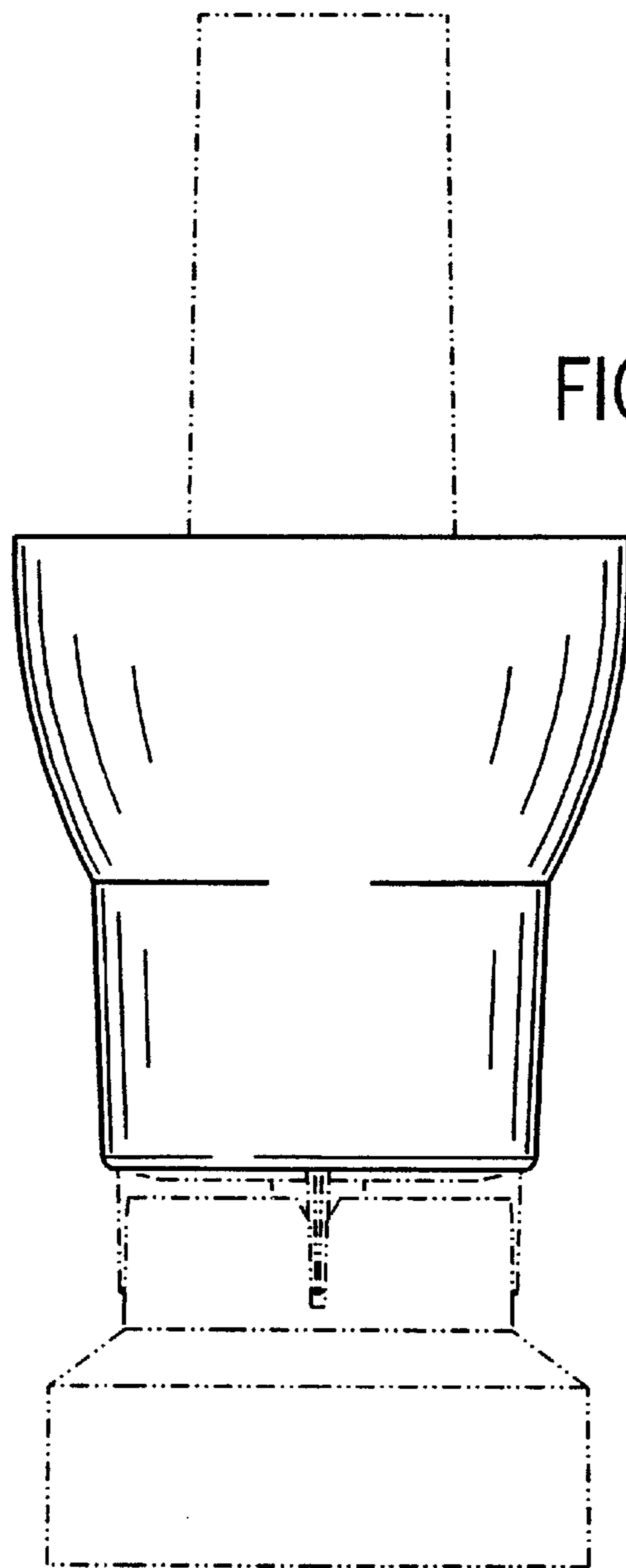


FIG. 2

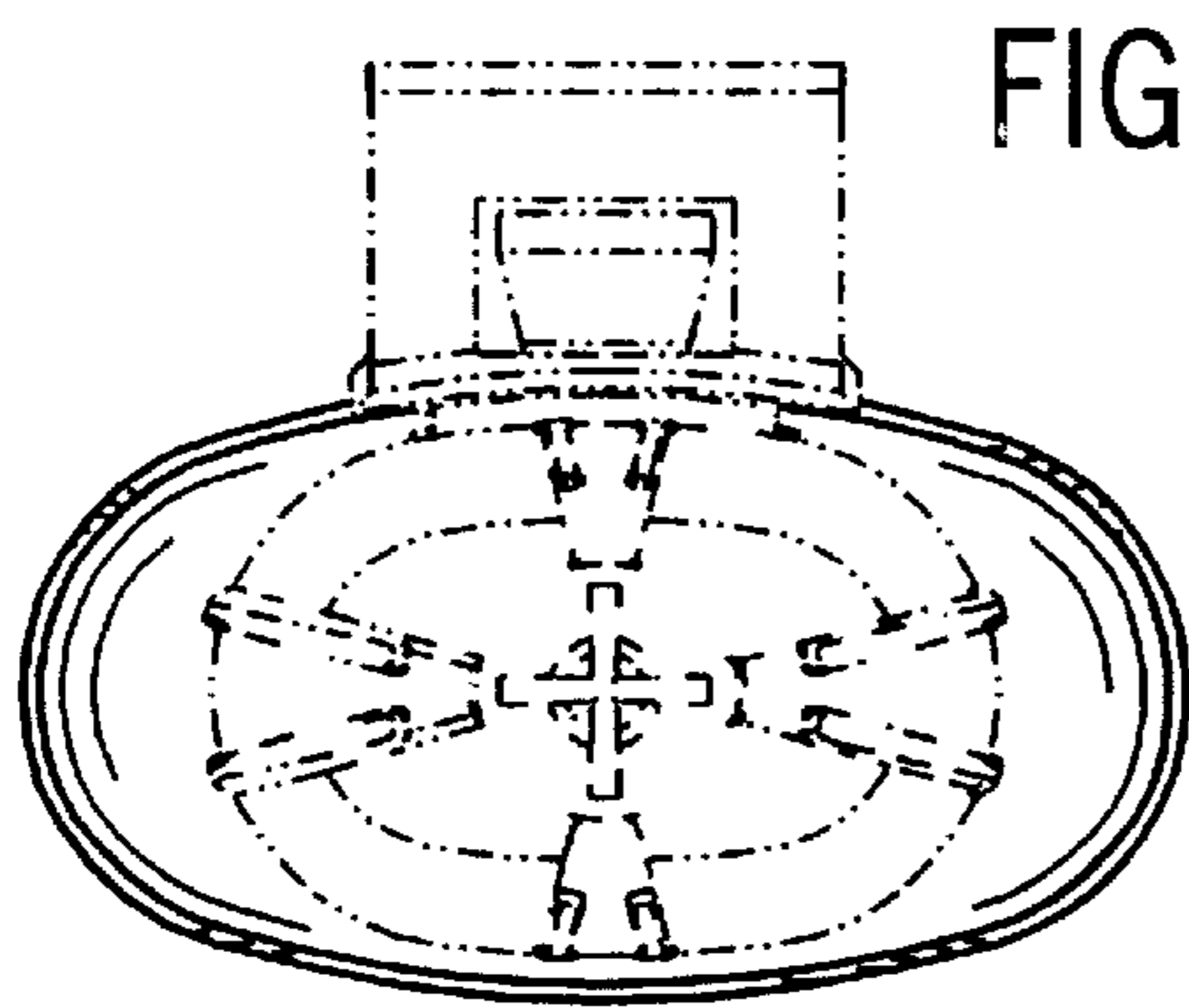
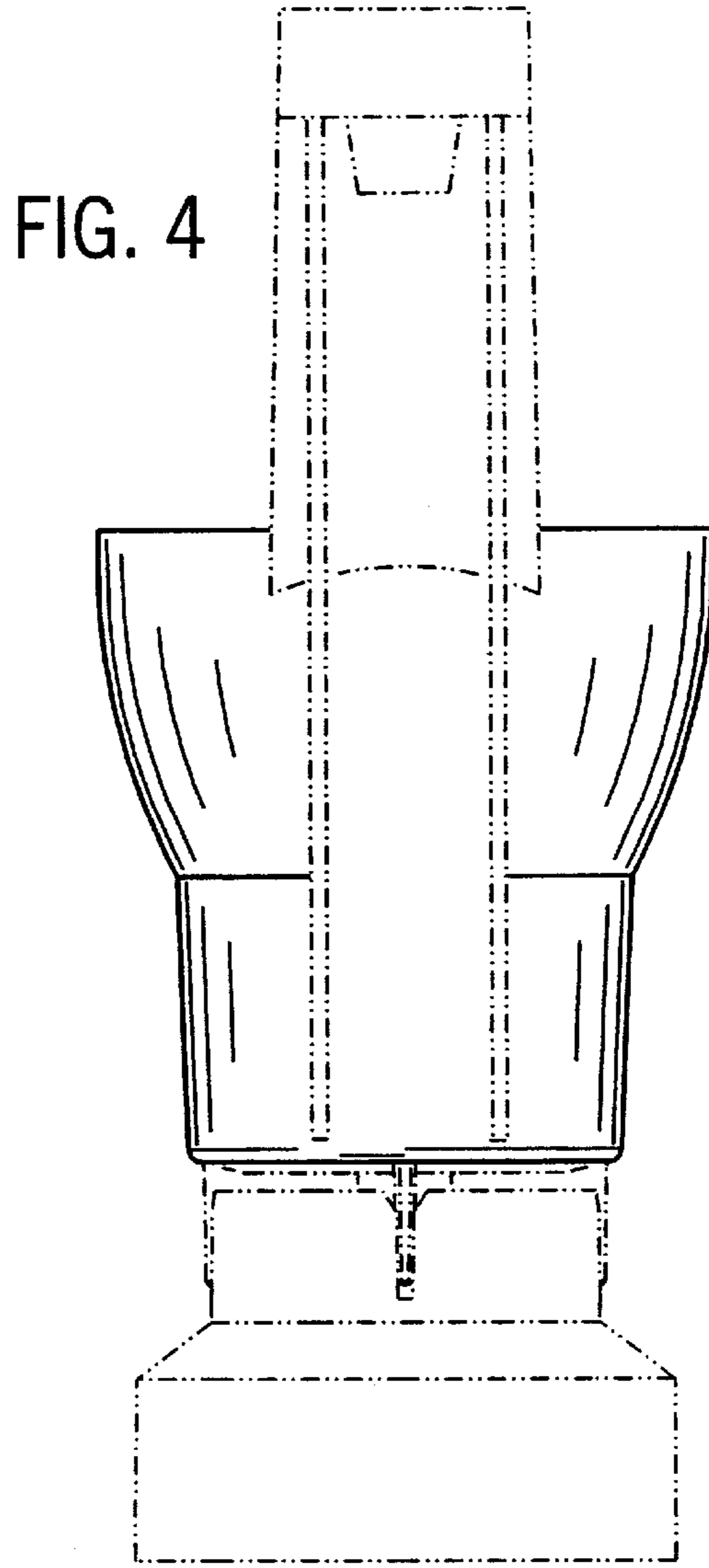
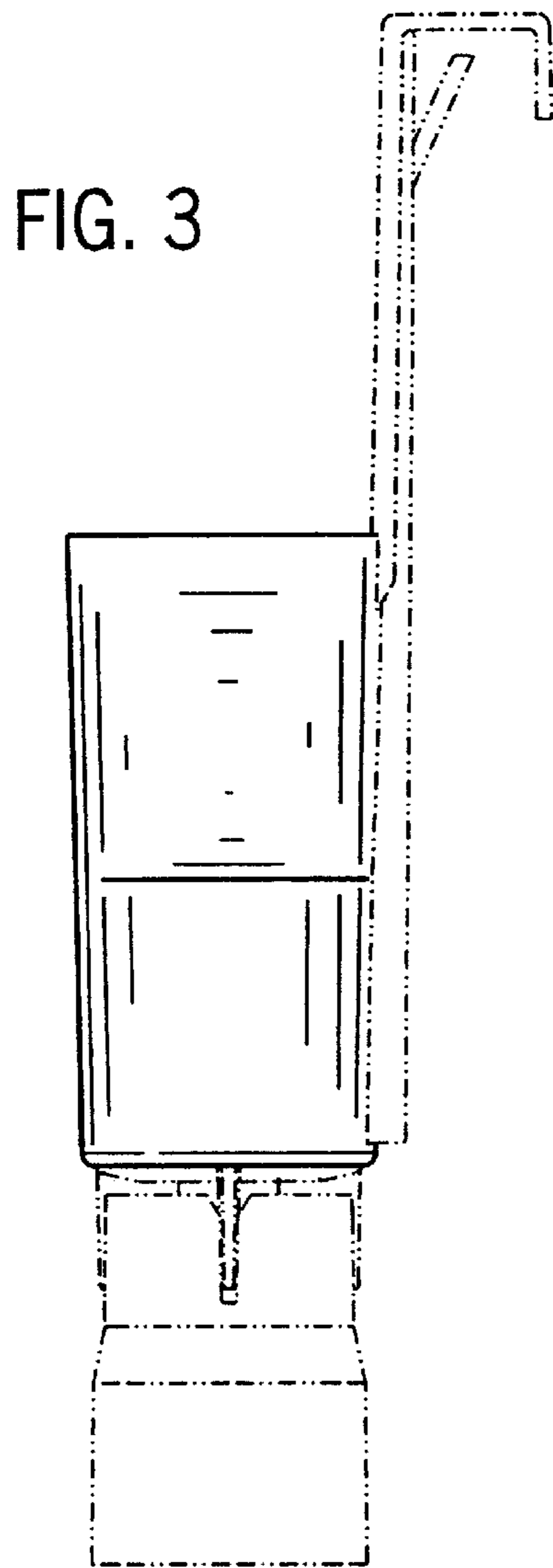


FIG. 5

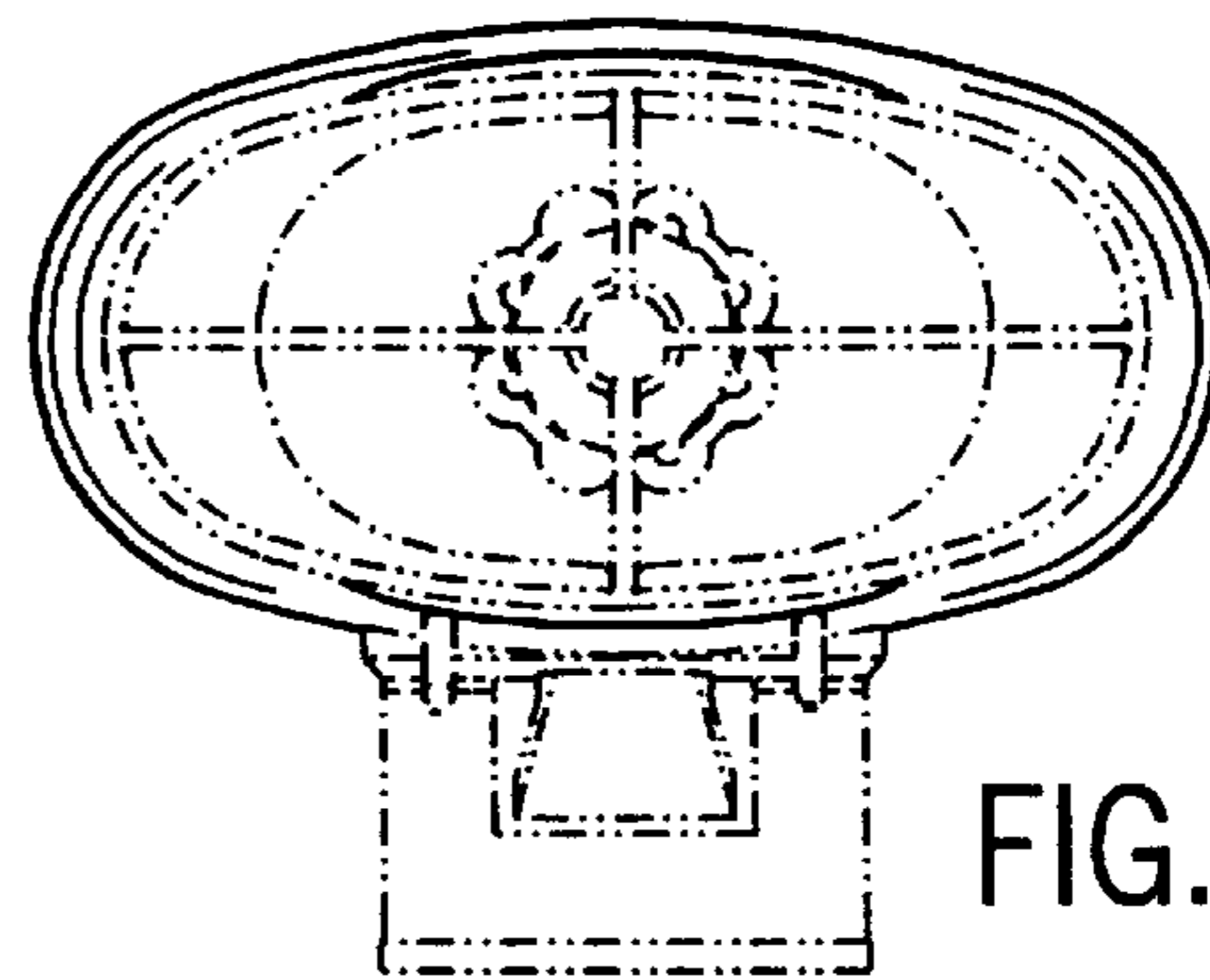


FIG. 6