



US00D480459S

(12) **United States Design Patent**
Svendsen et al.

(10) **Patent No.:** **US D480,459 S**

(45) **Date of Patent:** **** Oct. 7, 2003**

(54) **TOILET TANK**

D387,858 S * 12/1997 McKeone D23/301
D441,437 S * 5/2001 McKeone D23/301

(75) Inventors: **Sean W. Svendsen**, Columbus, OH (US); **Michael J. Painter**, Columbus, OH (US); **Sherry Lynn Jones**, Pataskala, OH (US); **Christopher P. Marks**, Pickerington, OH (US); **Paul P. Kolada**, Bexley, OH (US)

* cited by examiner

Primary Examiner—Ian Simmons
Assistant Examiner—Robert A Delehanty
(74) *Attorney, Agent, or Firm*—Frommer Lawrence & Haug LLP; Matthew K. Ryan

(73) Assignee: **American Standard Inc.**, Piscataway, NJ (US)

(57) **CLAIM**

(**) Term: **14 Years**

The ornamental design for a “toilet tank”, as shown.

(21) Appl. No.: **29/157,797**

DESCRIPTION

(22) Filed: **Mar. 25, 2002**

FIG. 1 is a front perspective view of a preferred embodiment of a toilet tank showing our new design;

(51) **LOC (7) Cl.** **23-02**

FIG. 2 is a bottom view of the toilet tank of FIG. 1;

(52) **U.S. Cl.** **D23/313**

(58) **Field of Search** D23/270–271,
D23/273–274, 295–301, 303, 309, 313;
4/663–664, 667, 300, 329, 354, 353, DIG. 11,
DIG. 15

FIG. 3 is a front view of the toilet tank of FIG. 1;

FIG. 4 is a left side view of the toilet tank of FIG. 1;

FIG. 5 is a rear view of the toilet tank of FIG. 1;

FIG. 6 is right side view of the toilet tank of FIG. 1; and,

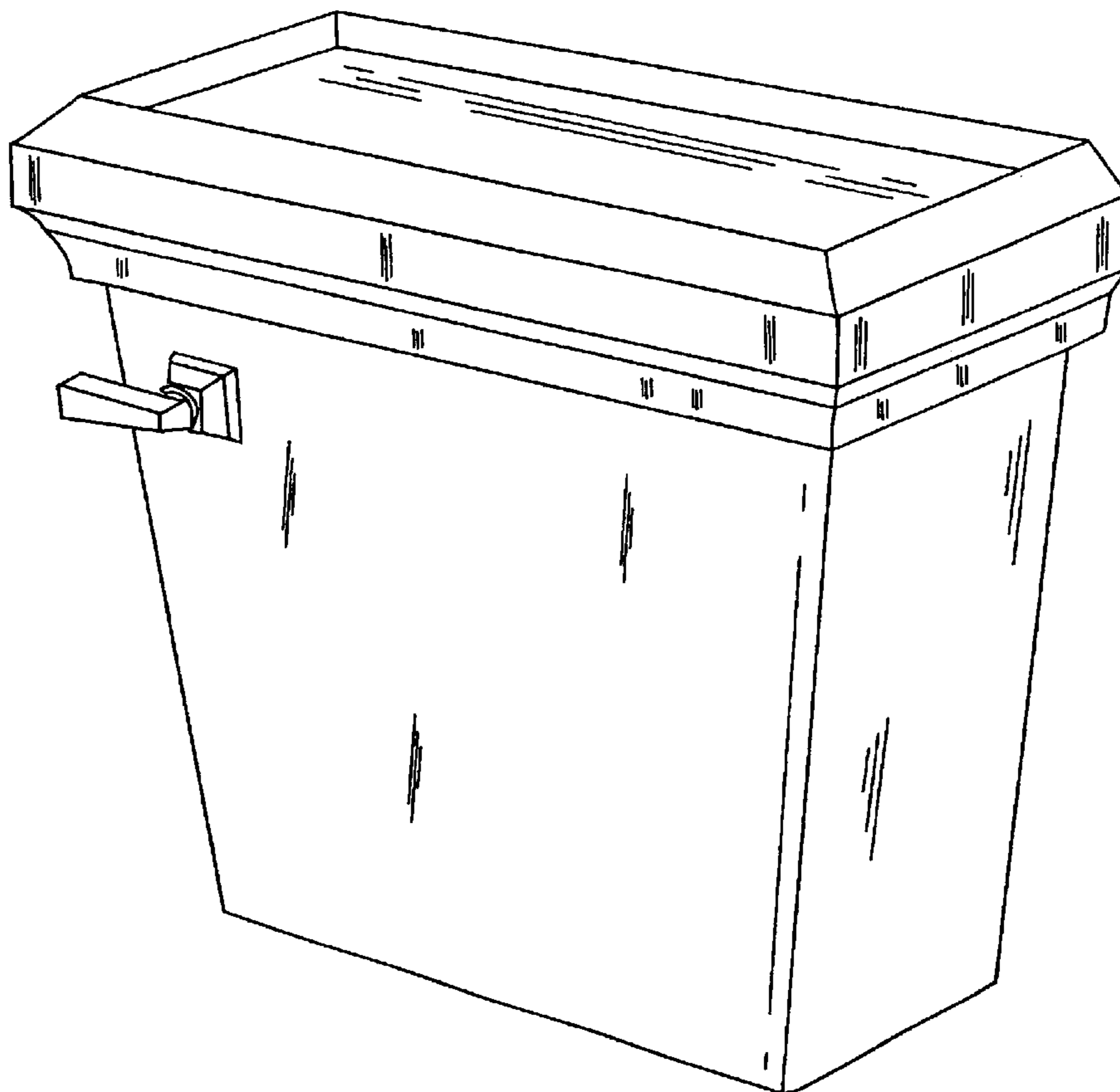
FIG. 7 is top view of the toilet tank of FIG. 1.

(56) **References Cited**

U.S. PATENT DOCUMENTS

D323,551 S * 1/1992 Fait D23/301

1 Claim, 7 Drawing Sheets



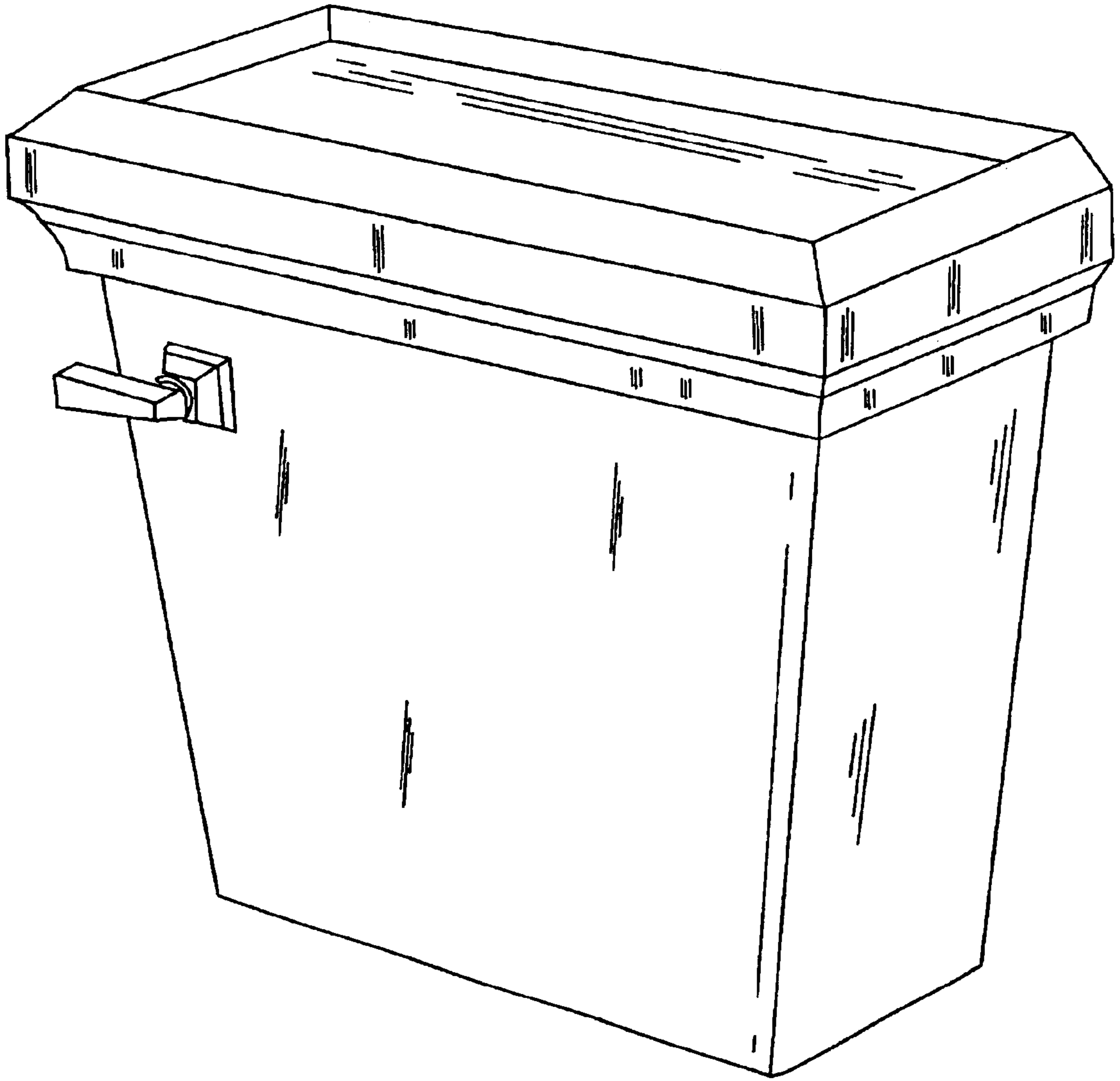


FIG. 1

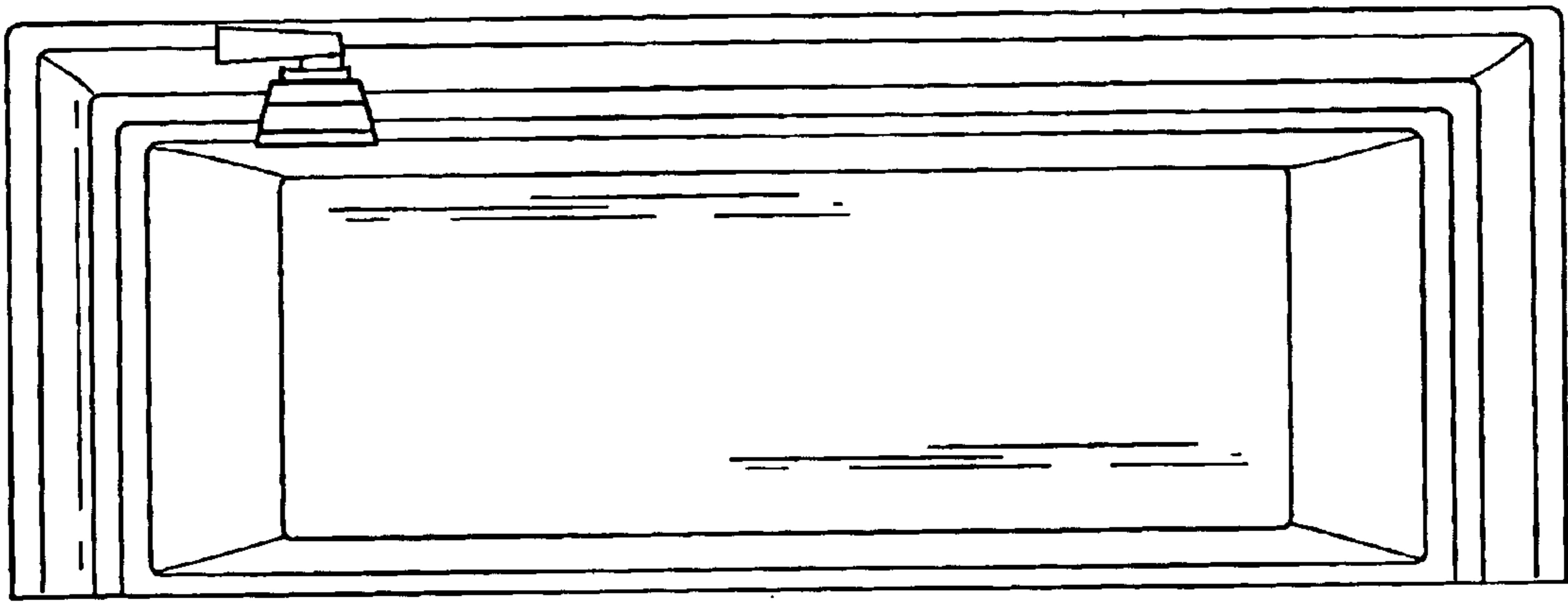


FIG. 2

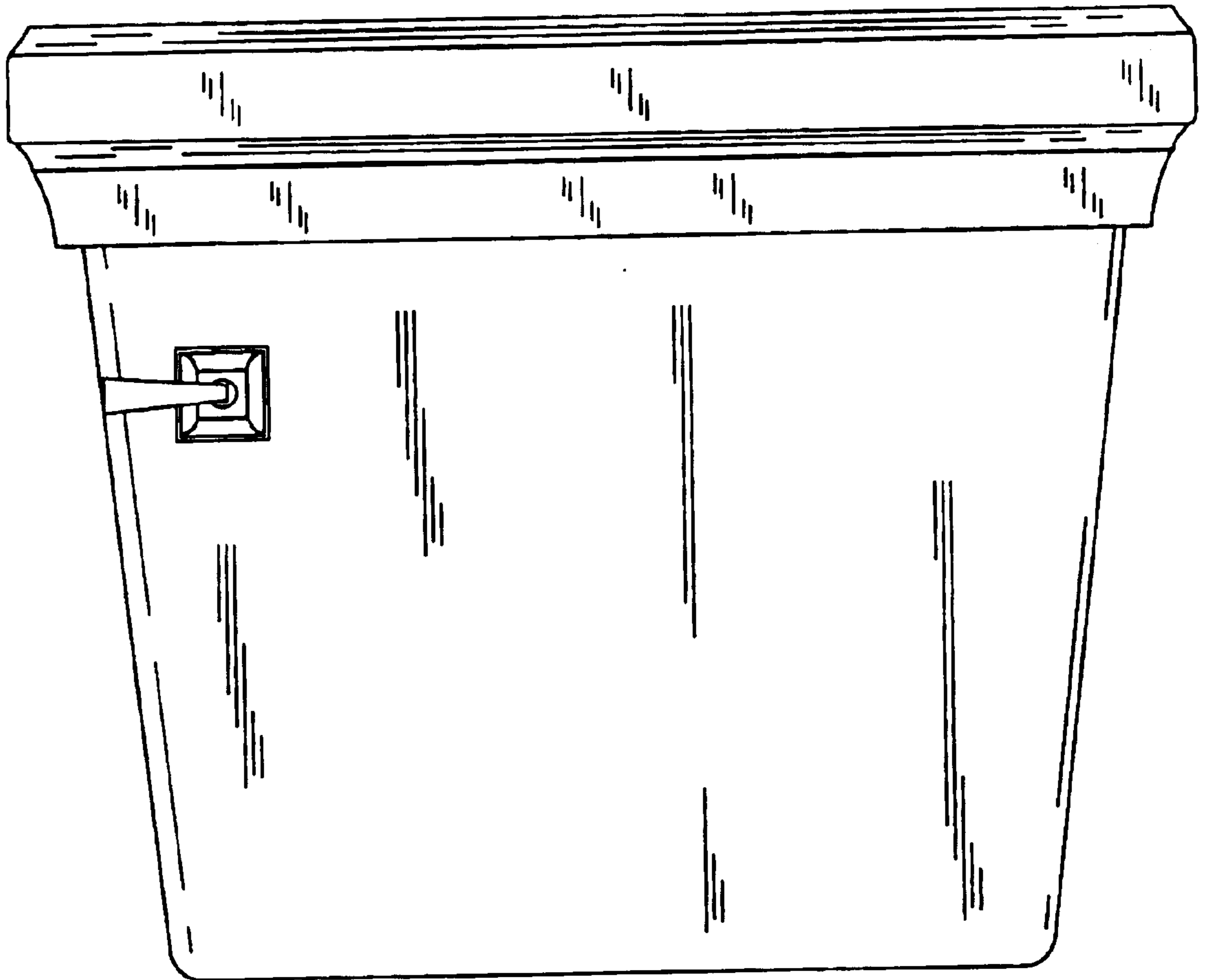


FIG. 3

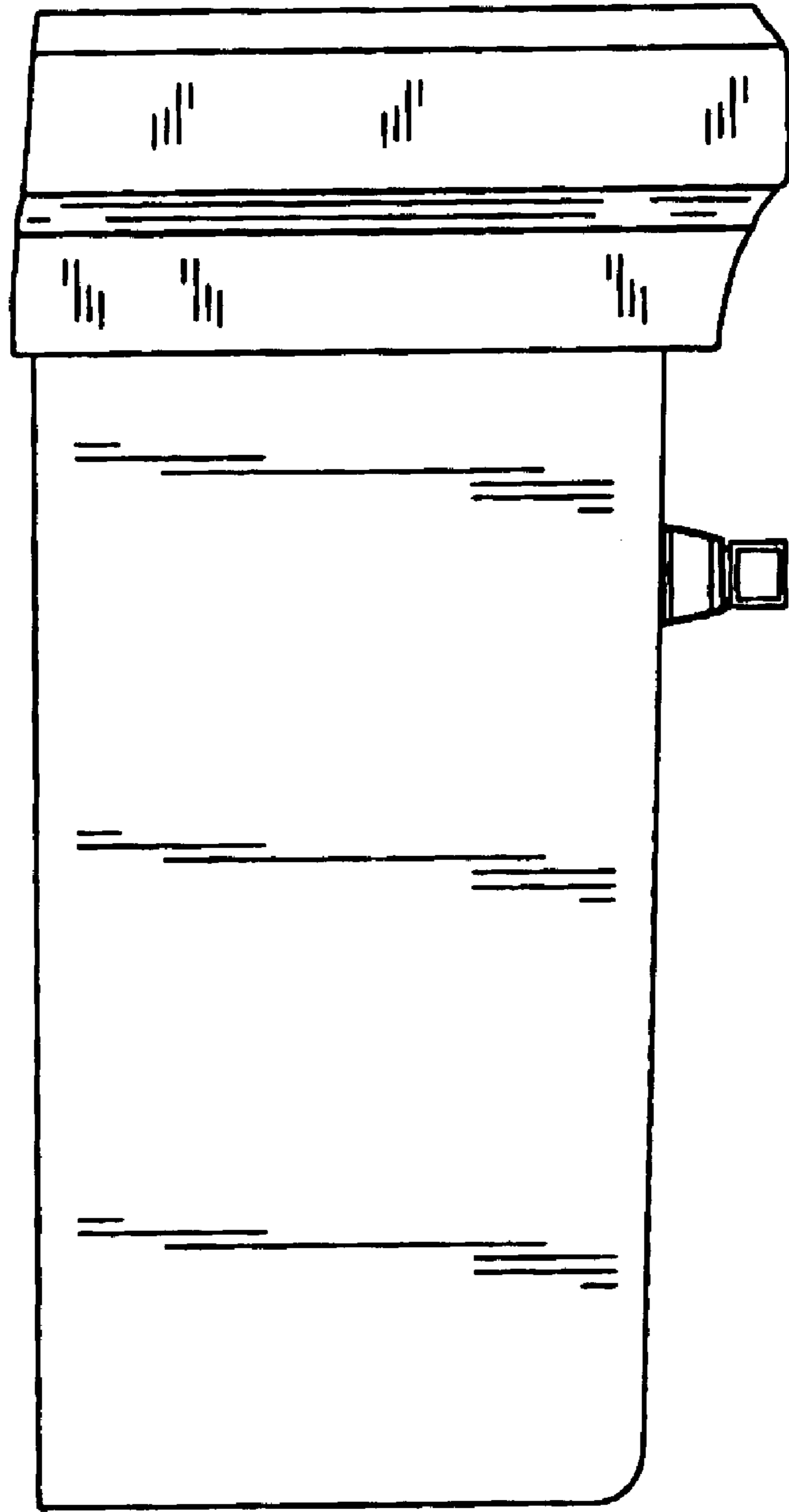


FIG. 4

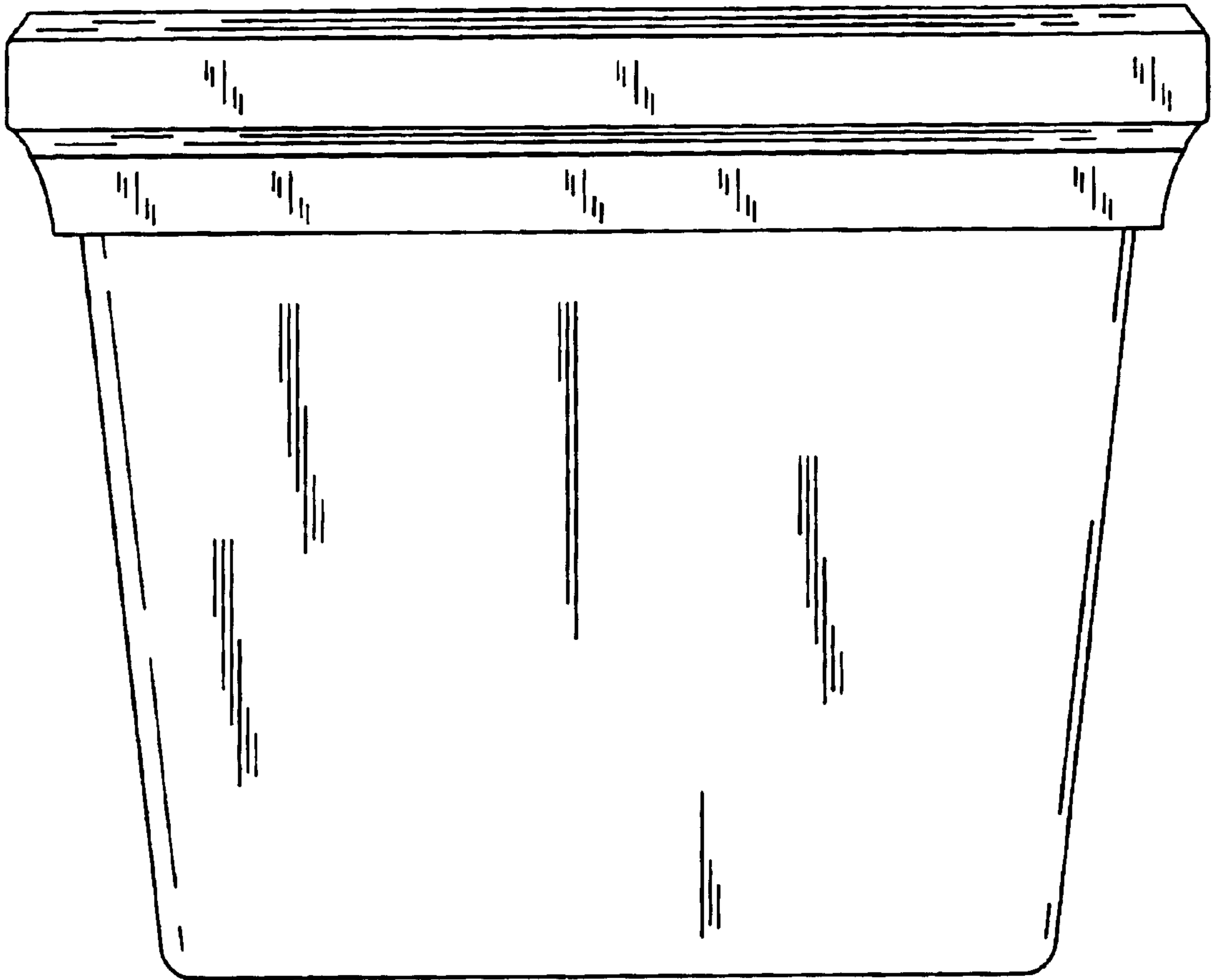


FIG. 5

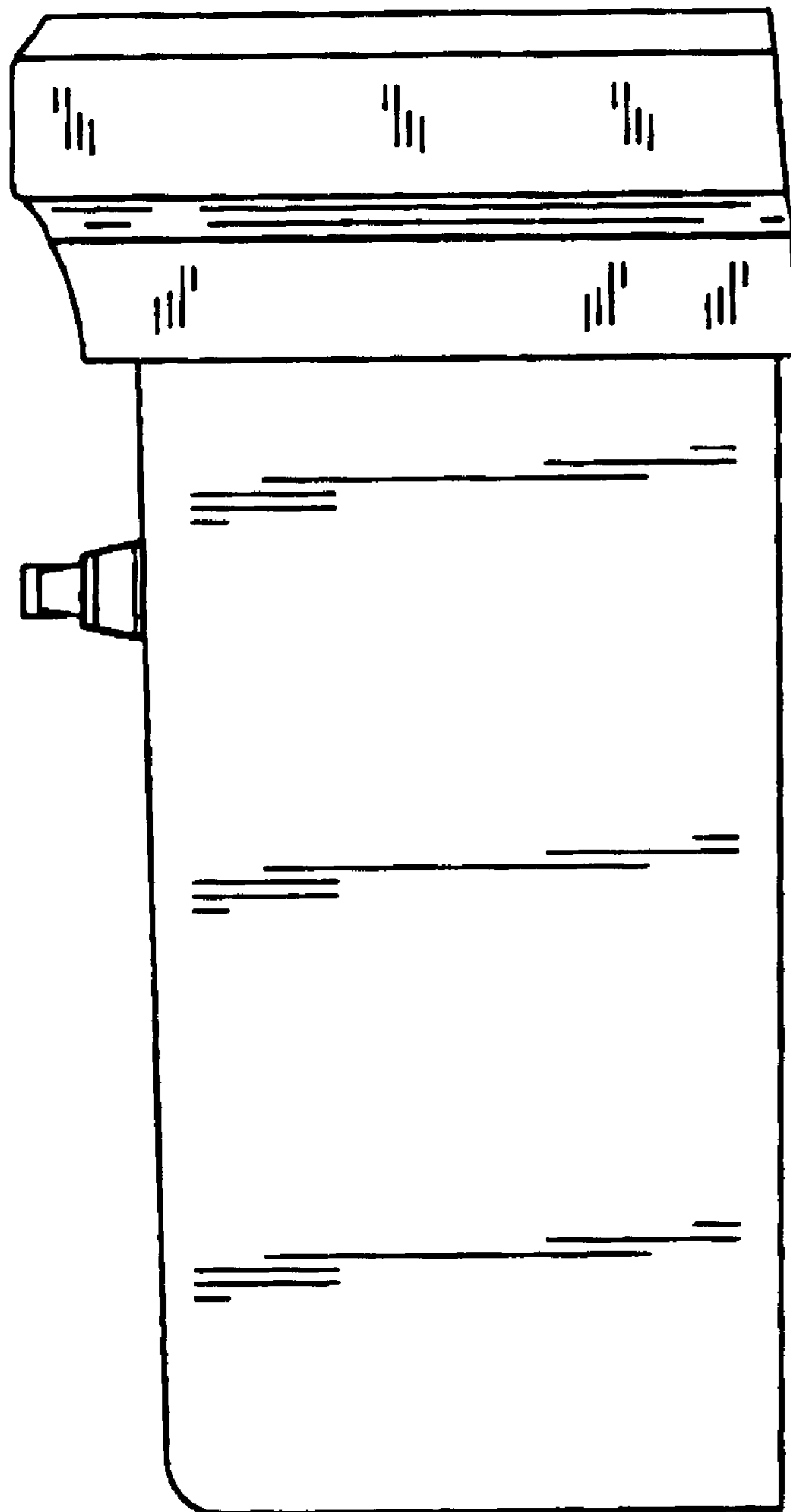


FIG. 6

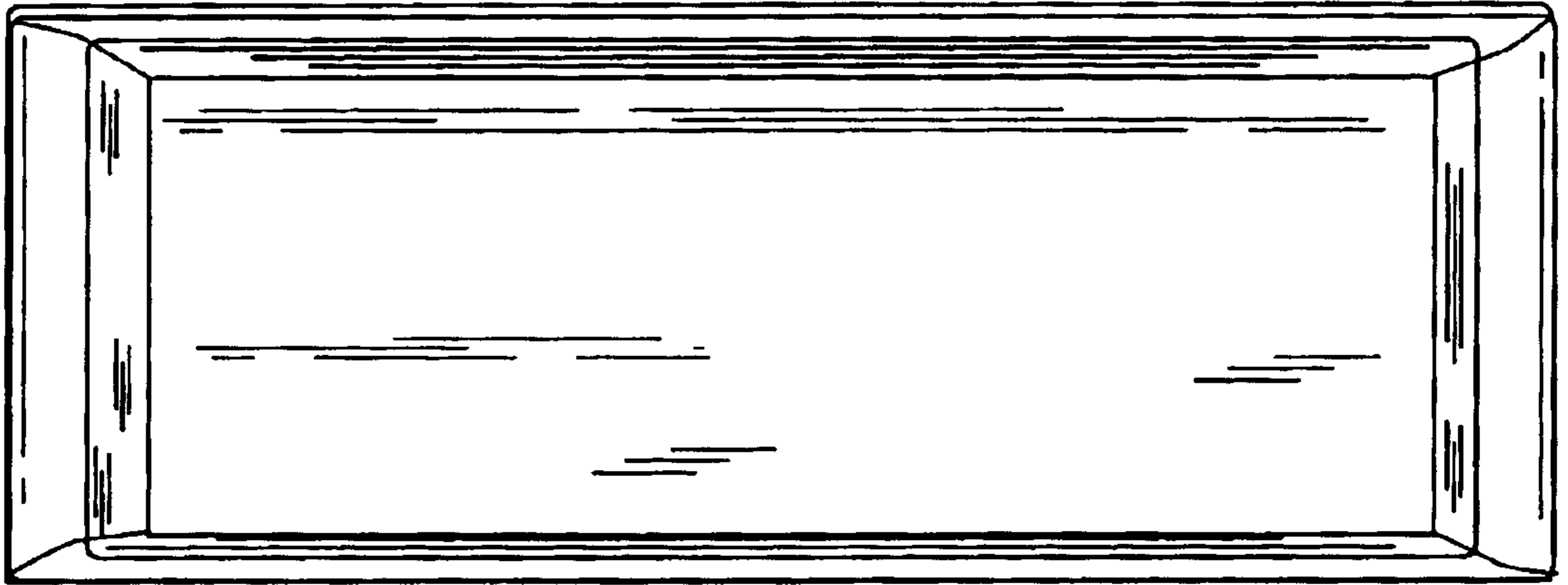


FIG. 7