



US00D480456S

(12) **United States Design Patent**
Svendsen et al.

(10) **Patent No.: US D480,456 S**

(45) **Date of Patent: ** Oct. 7, 2003**

(54) **TOILET BOWL**

(75) Inventors: **Sean W. Svendsen**, Columbus, OH (US); **Michael J. Painter**, Columbus, OH (US); **Sherry Lynn Jones**, Pataskala, OH (US); **Christopher P. Marks**, Pickerington, OH (US); **Paul P. Kolada**, Bexley, OH (US)

(73) Assignee: **American Standard Inc.**, Piscataway, NJ (US)

(**) Term: **14 Years**

(21) Appl. No.: **29/157,804**

(22) Filed: **Mar. 25, 2002**

(51) **LOC (7) Cl. 23-02**

(52) **U.S. Cl. D23/295**

(58) **Field of Search D23/270-271, D23/273-274, 295-301, 303, 309; 4/663-664, 300, 329, 667, 216, DIG. 17, 420, 420.3, 443-446, 449, 459-460, 902**

(56) **References Cited**

U.S. PATENT DOCUMENTS

D326,904 S * 6/1992 Waldren D23/301
D387,858 S * 12/1997 McKeone D23/301

D390,930 S * 2/1998 Slothower D23/295
D415,563 S * 10/1999 McKeone D23/301
D441,437 S * 5/2001 McKeone D23/301
D451,175 S * 11/2001 Smith D23/301

* cited by examiner

Primary Examiner—Louis S. Zarfaz
Assistant Examiner—Robert A. Delehanty
(74) *Attorney, Agent, or Firm*—Frommer Lawrence & Haug LLP; Matthew K. Ryan

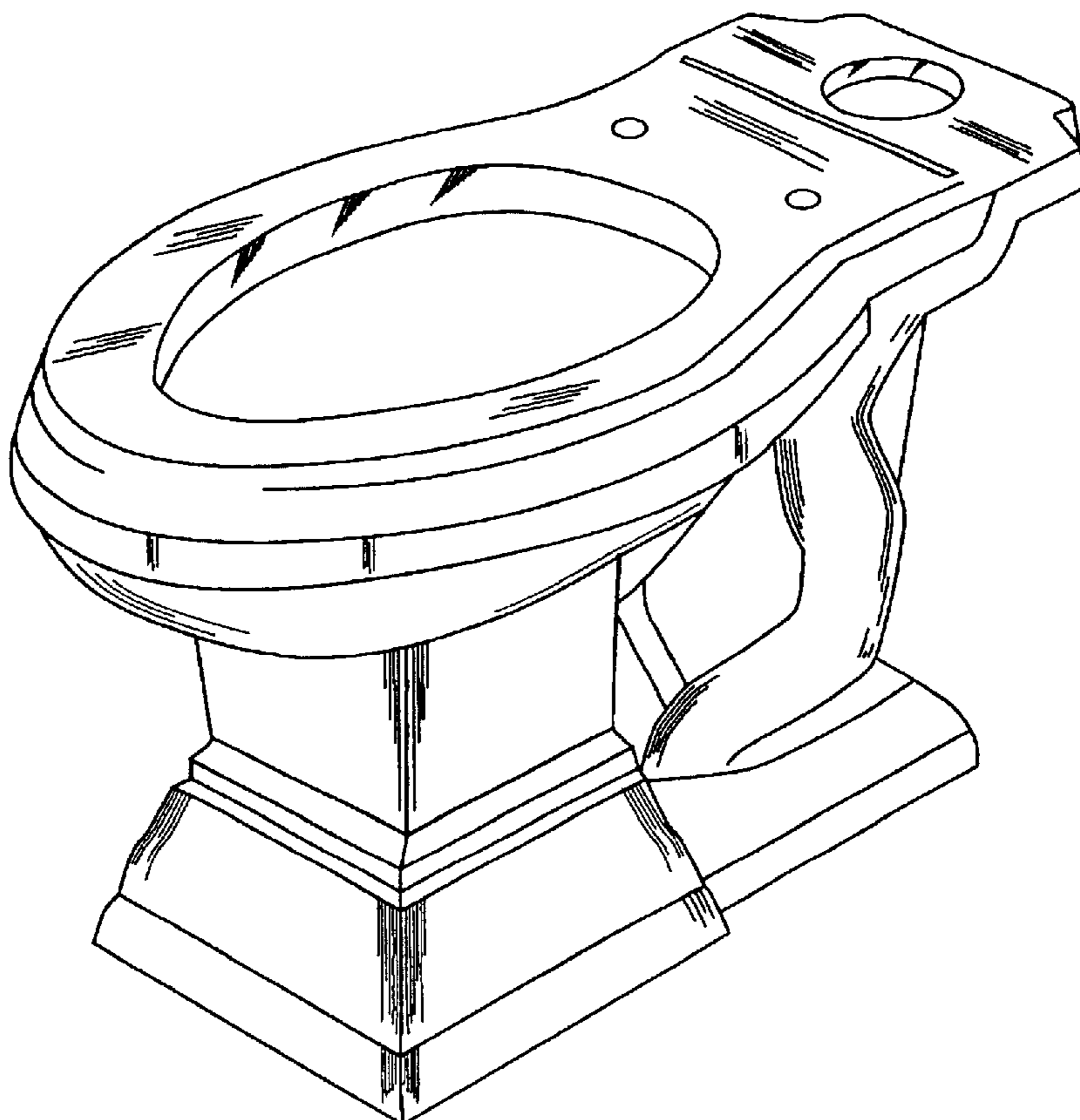
(57) **CLAIM**

The ornamental design for a “toilet bowl”, as shown.

DESCRIPTION

FIG. 1 is a front perspective view of a preferred embodiment of a toilet bowl showing our new design;
FIG. 2 is a bottom view of the toilet bowl of FIG. 1;
FIG. 3 is an enlarged front view of the toilet bowl of FIG. 1;
FIG. 4 is an enlarged left side view of the toilet bowl of FIG. 1;
FIG. 5 is an enlarged rear view of the toilet bowl of FIG. 1;
FIG. 6 is an enlarged right side view of the toilet bowl of FIG. 1; and,
FIG. 7 is top view of the toilet bowl of FIG. 1.

1 Claim, 7 Drawing Sheets



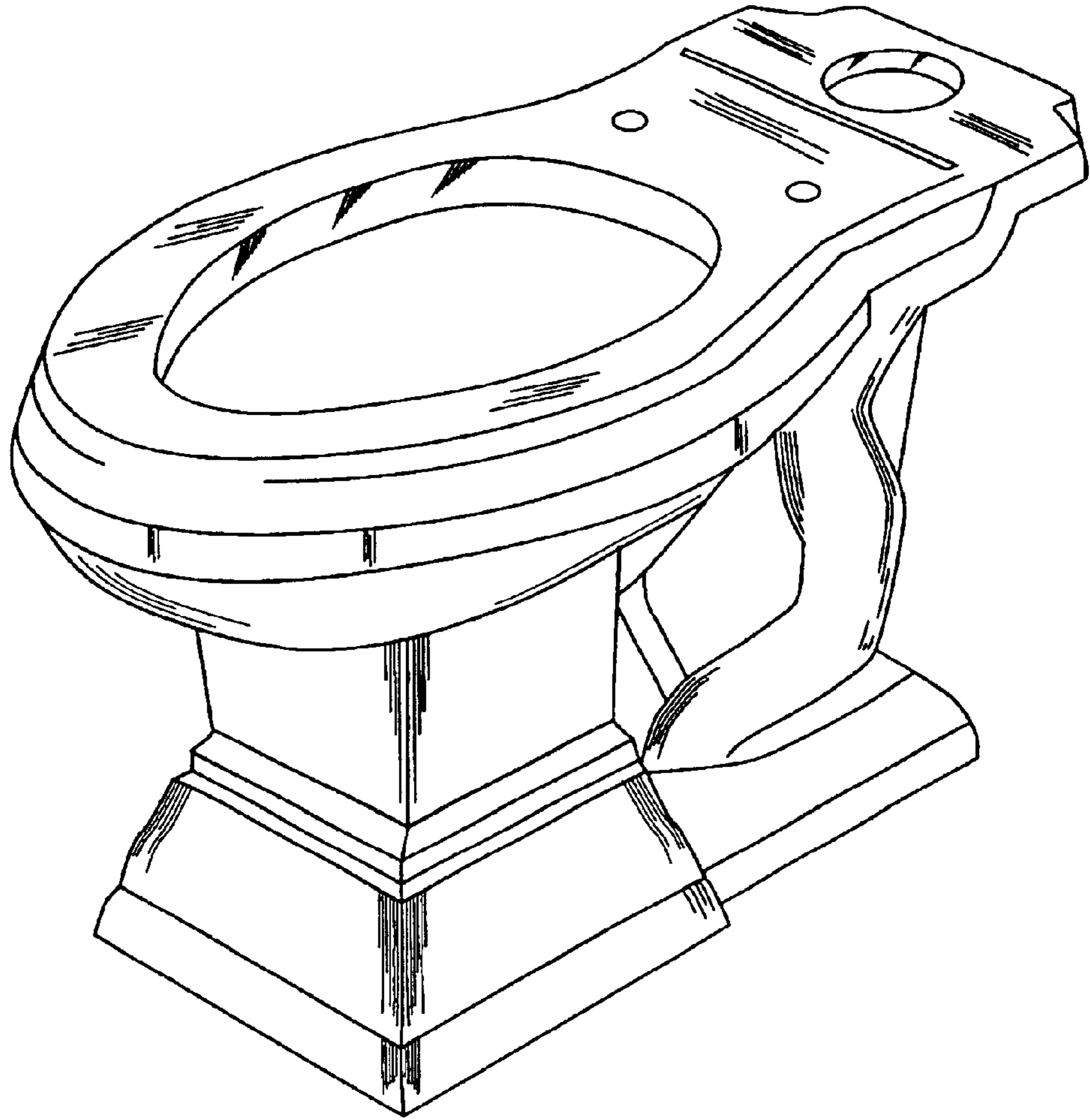


FIG. 1

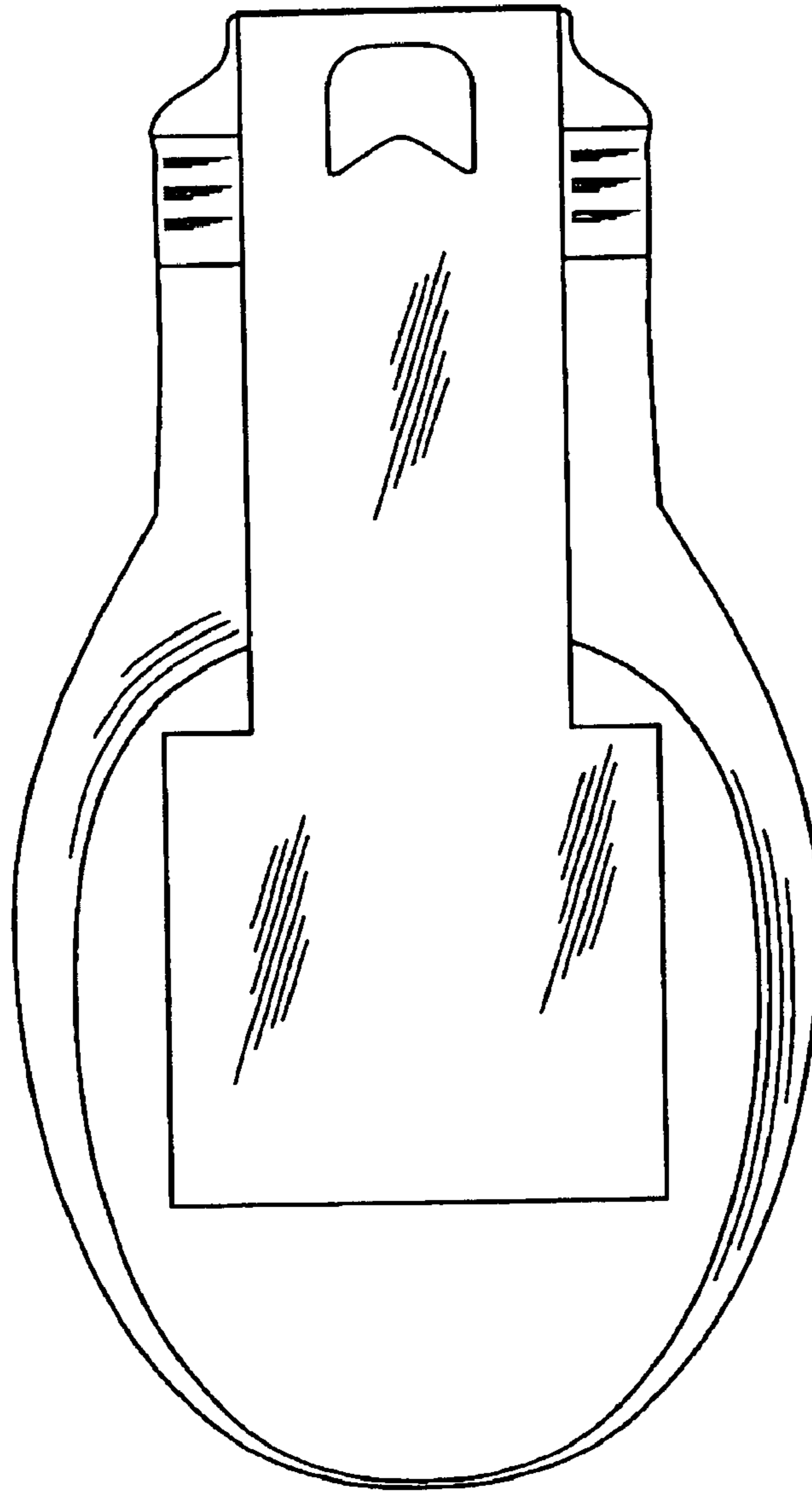


FIG. 2

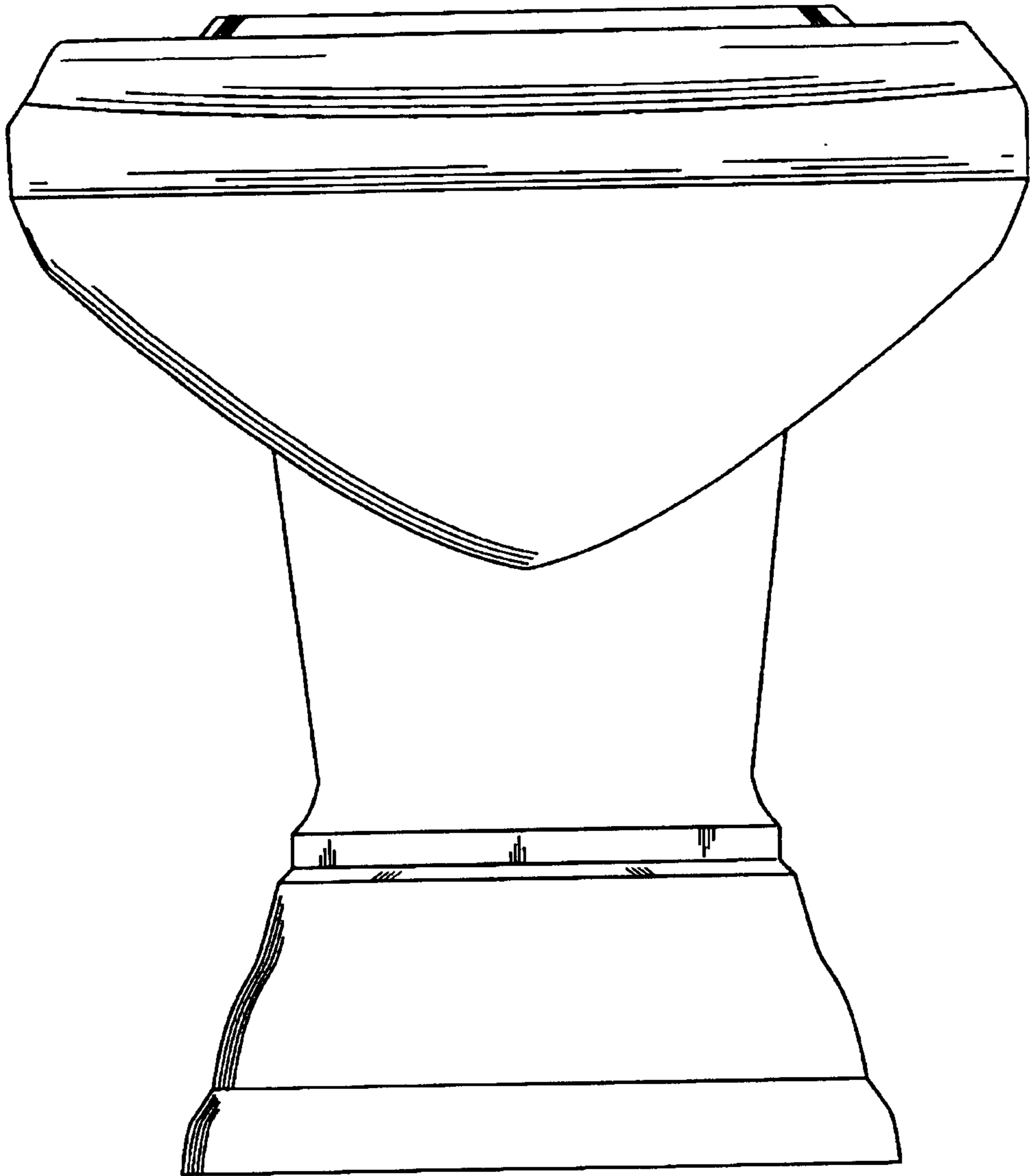


FIG. 3

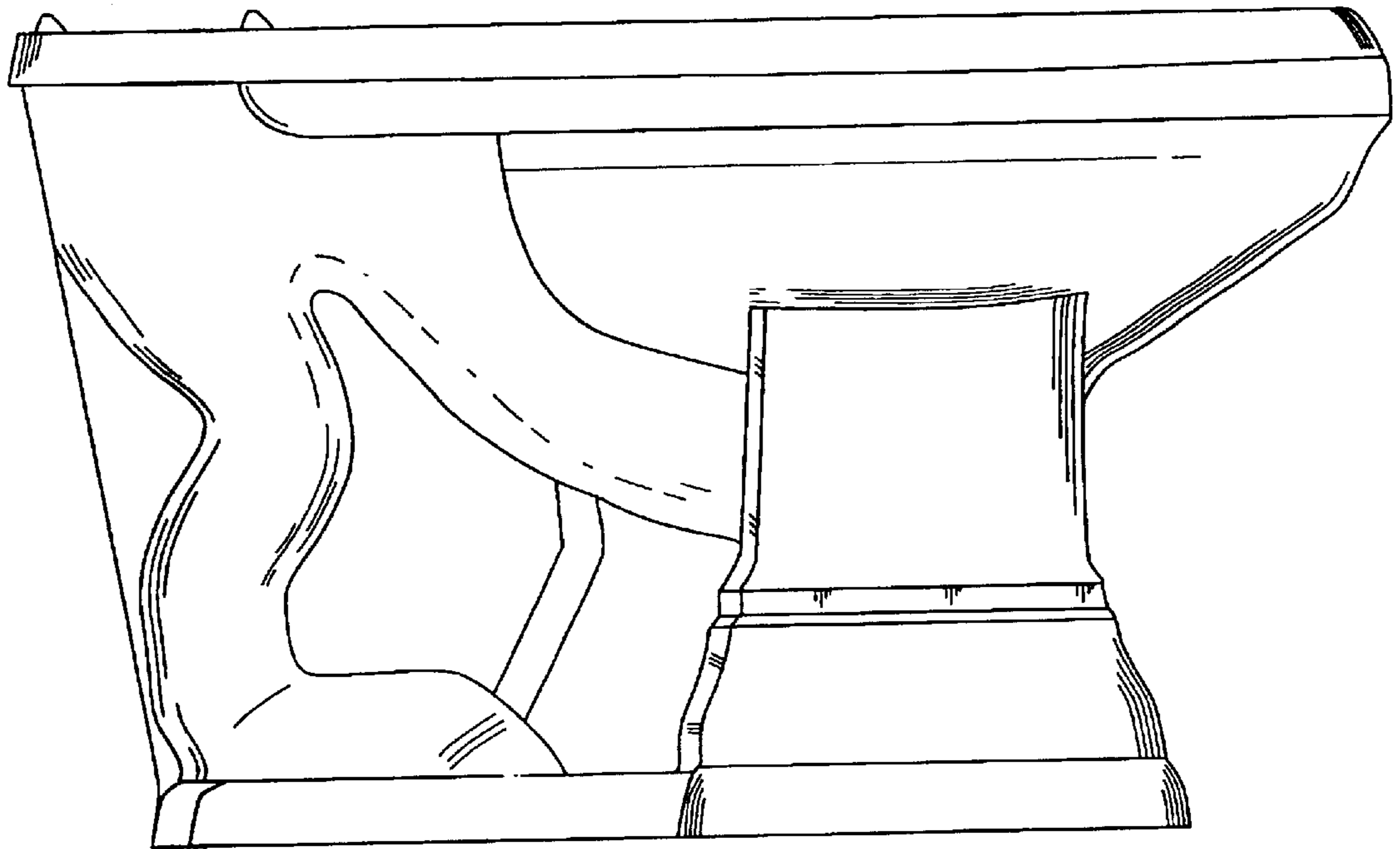


FIG. 4

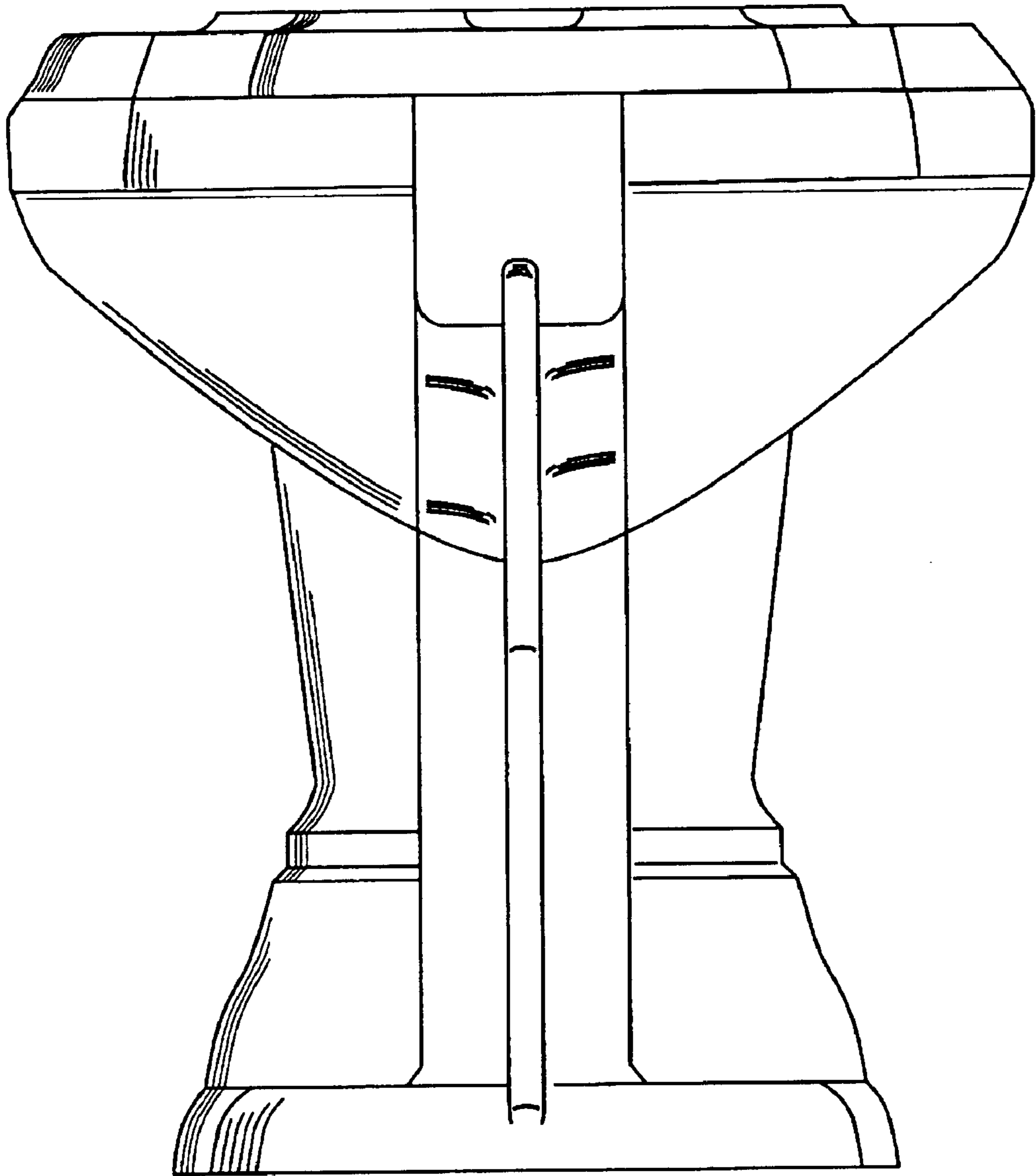


FIG. 5

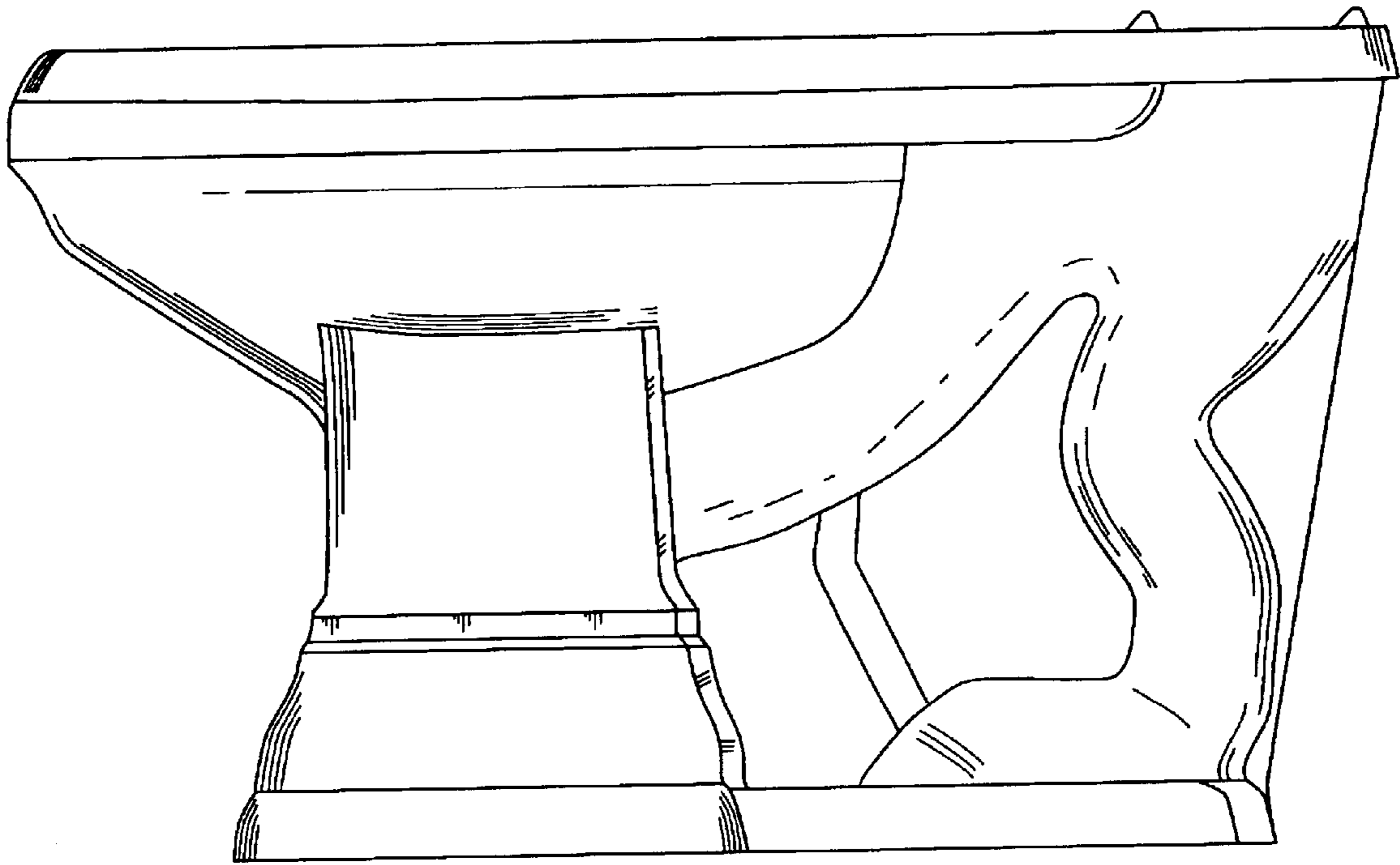


FIG. 6

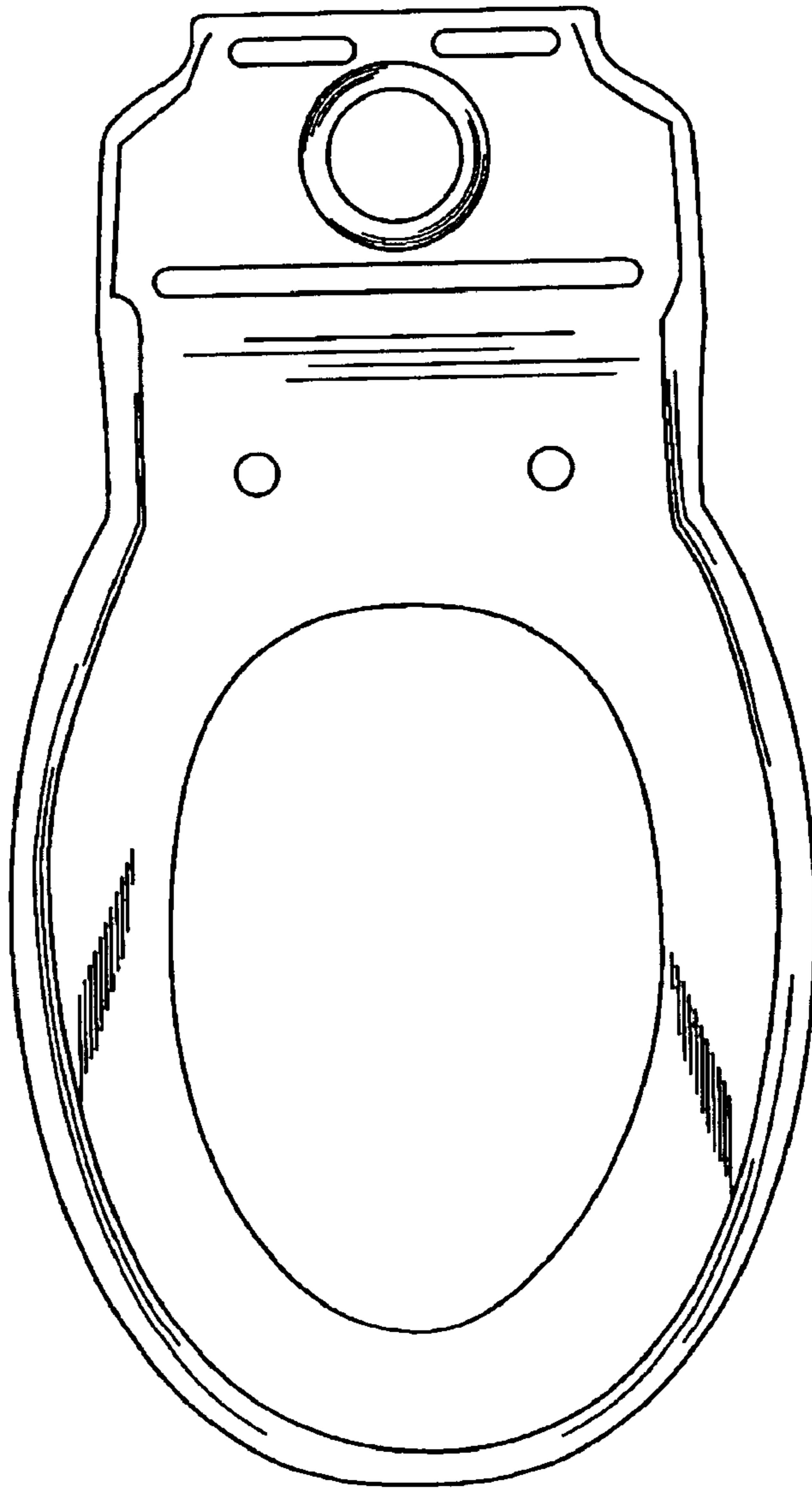


FIG. 7