



US00D480455S

(12) **United States Design Patent**  
**Painter et al.**

(10) **Patent No.:** **US D480,455 S**

(45) **Date of Patent:** **\*\* Oct. 7, 2003**

(54) **SHOWER BASIN**

(75) Inventors: **Michael J. Painter**, Columbus, OH (US); **Sherry Lynn Jones**, Pataskala, OH (US); **Christopher P. Marks**, Pickerington, OH (US); **Paul P. Kolada**, Bexley, OH (US)

(73) Assignee: **American Standard Inc.**, Piscataway, NJ (US)

(\*\*) Term: **14 Years**

(21) Appl. No.: **29/157,808**

(22) Filed: **Mar. 25, 2002**

(51) **LOC (7) Cl.** ..... **23-02**

(52) **U.S. Cl.** ..... **D23/283**

(58) **Field of Search** ..... D23/283, 273, D23/275, 284, 304, 308; 4/553, 557, 558, 596-604, 612-614, 622

(56) **References Cited**

**U.S. PATENT DOCUMENTS**

1,749,275 A	*	3/1930	Cromwell	.....	4/614
1,781,692 A	*	11/1930	Lewis	.....	4/614
1,842,192 A	*	1/1932	Patterson	.....	4/622
1,965,558 A	*	7/1934	Weirich	.....	4/622

1,970,465 A	*	8/1934	Martindell et al.	.....	4/622
3,606,617 A	*	9/1971	Frazier	.....	4/613
4,423,528 A	*	1/1984	Wiedmeier	.....	4/613
4,557,004 A	*	12/1985	Piana	.....	4/613
5,437,303 A	*	8/1995	Johnson	.....	4/613 X
6,363,547 B1	*	4/2002	Perry	.....	4/614

\* cited by examiner

*Primary Examiner*—Ian Simmons

*Assistant Examiner*—Robert A Delehanty

(74) *Attorney, Agent, or Firm*—Frommer Lawrence & Haug LLP; Matthew K. Ryan

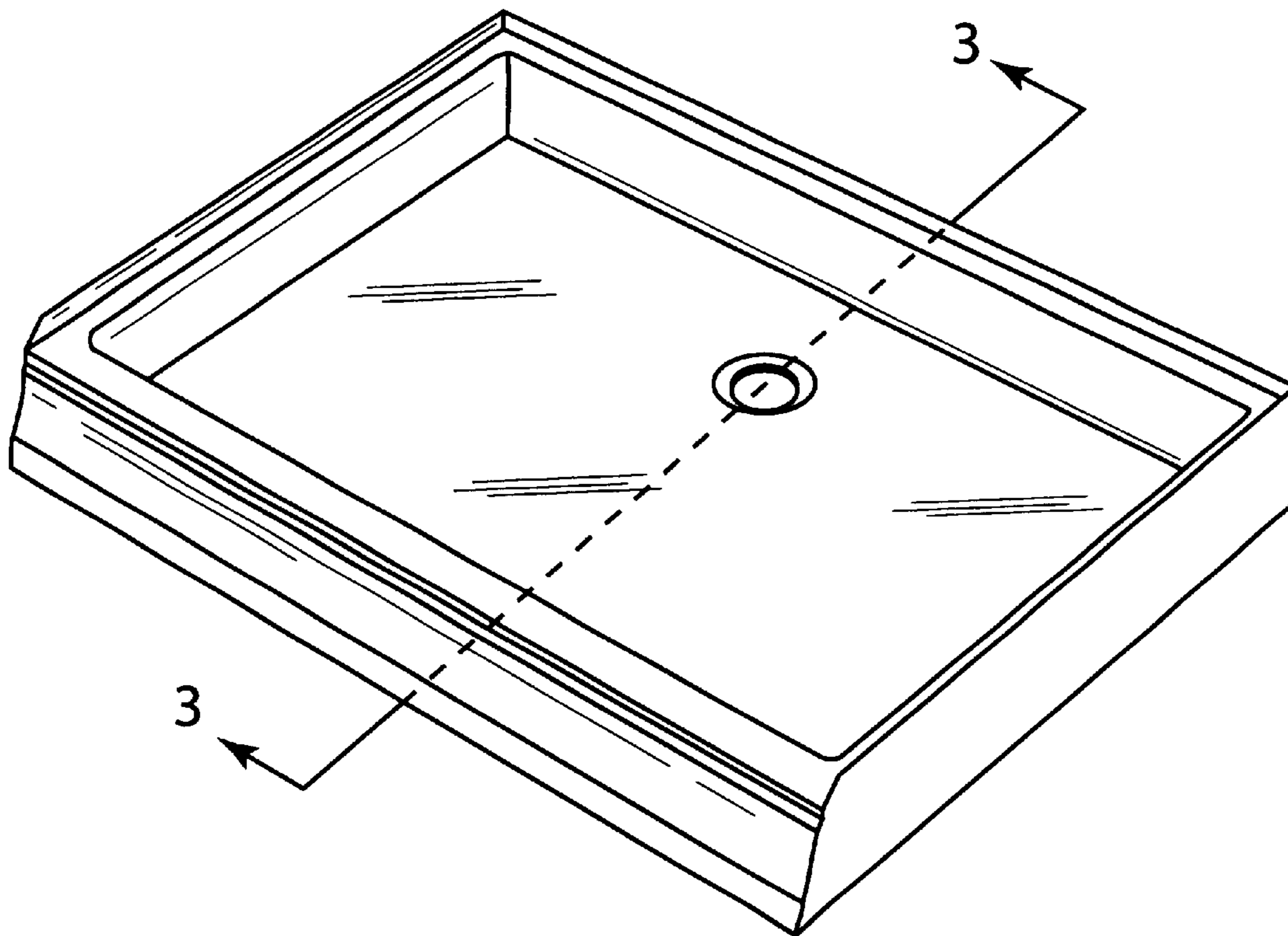
(57) **CLAIM**

The ornamental design for a “shower basin”, as shown.

**DESCRIPTION**

FIG. 1 is a front perspective view of a preferred embodiment of the shower basin showing our new design; FIG. 2 is a front view of the shower basin of FIG. 1; FIG. 3 is an enlarged cross-sectional view of the shower basin taken along line 3-3 of FIG. 1; FIG. 4 is a top view of the shower basin of FIG. 1; FIG. 5 is a bottom view of the shower basin of FIG. 1; FIG. 6 is an enlarged left side view of the shower basin of FIG. 1; and, FIG. 7 is a rear view of the shower basin of FIG. 1.

**1 Claim, 7 Drawing Sheets**



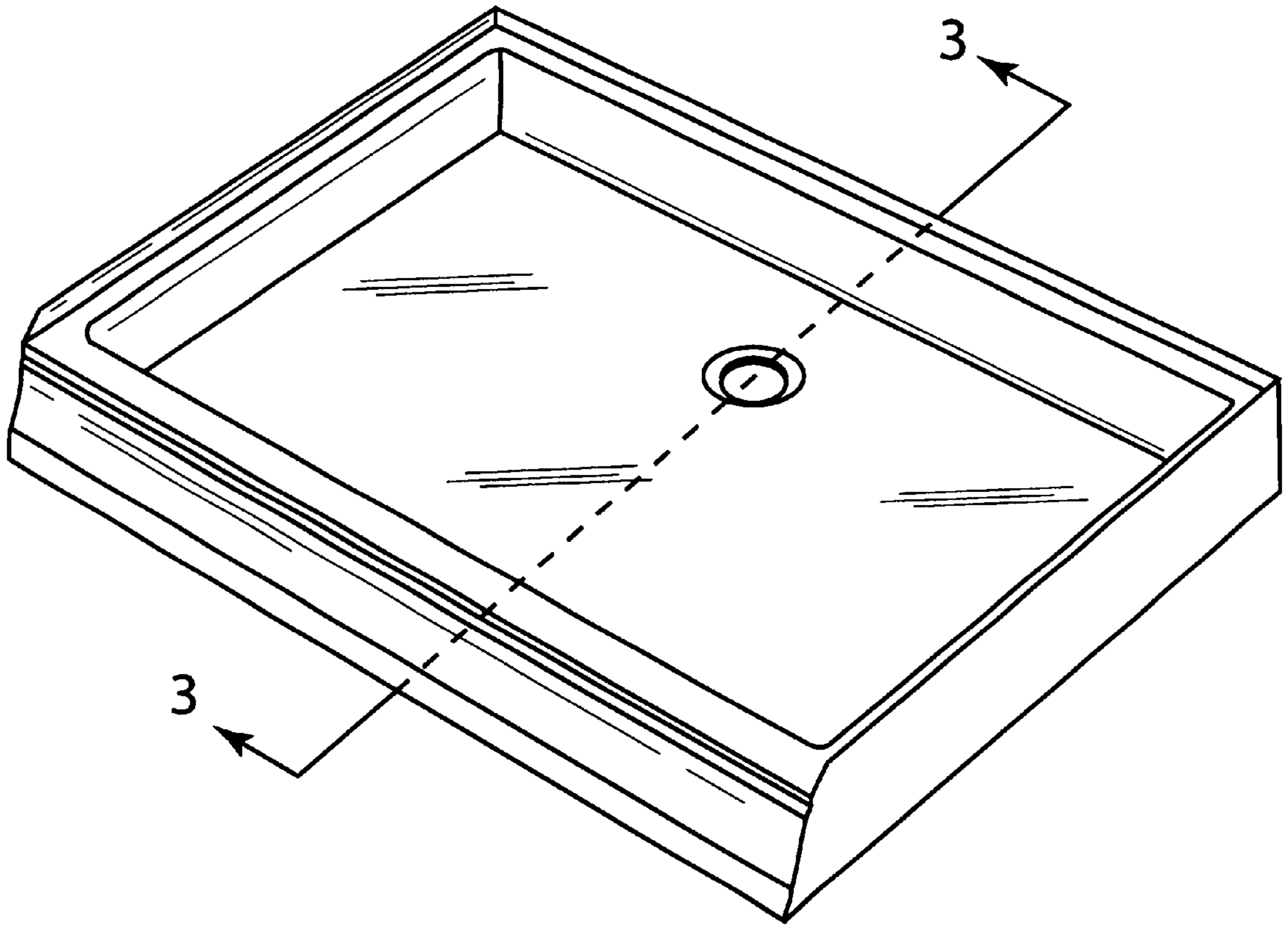


FIG. 1

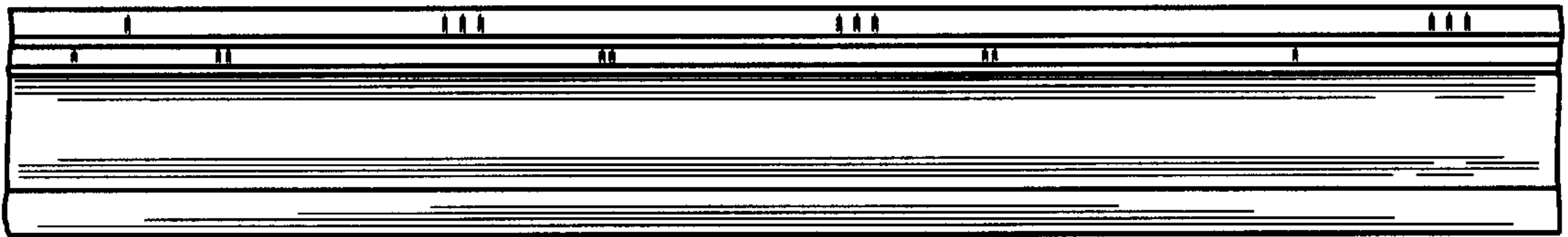


FIG. 2

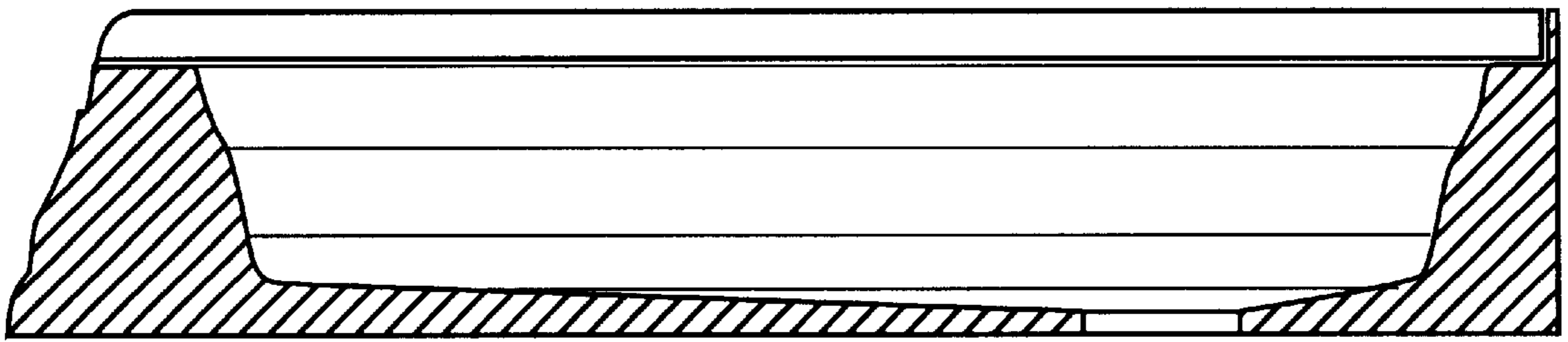


FIG. 3

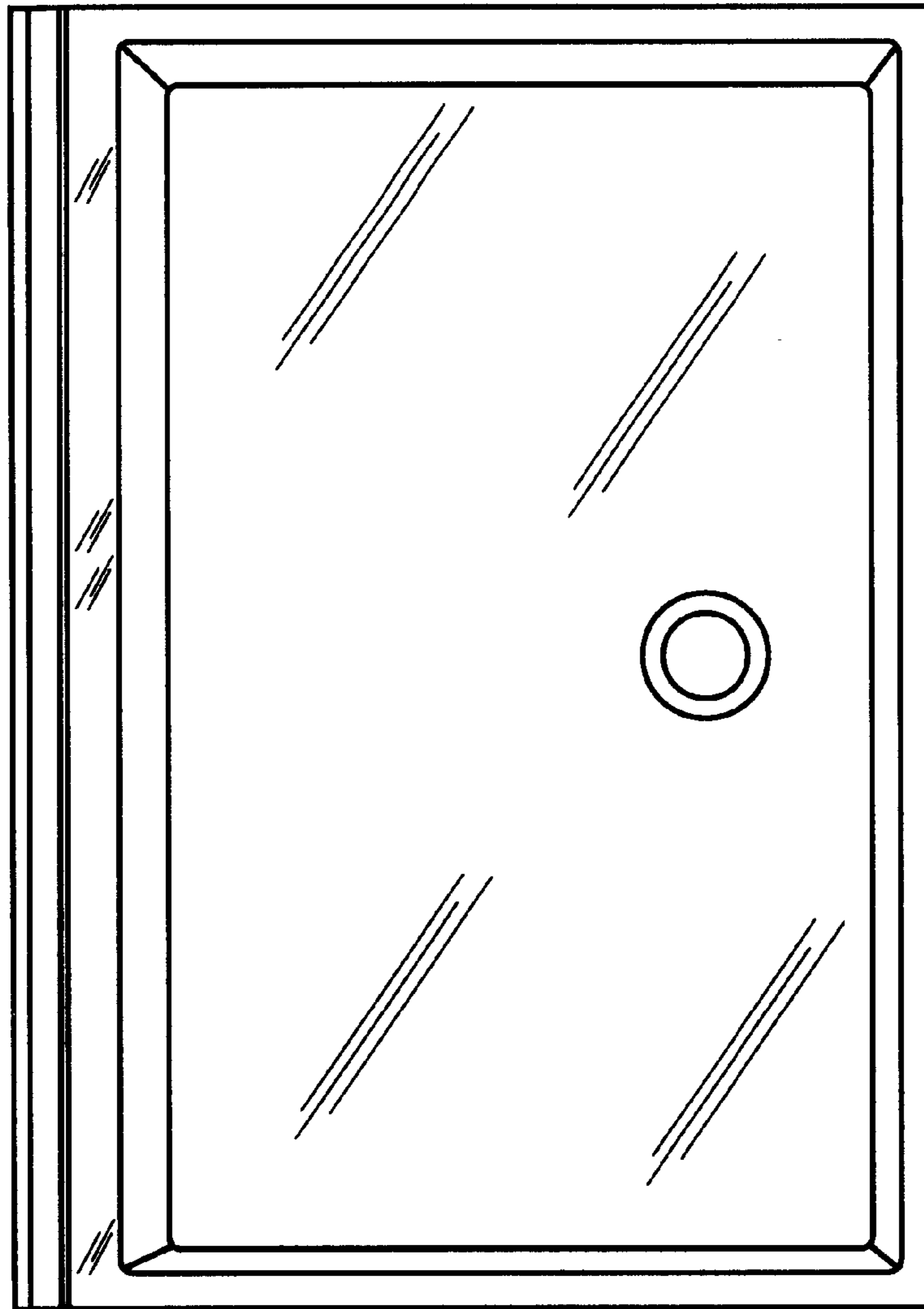


FIG. 4

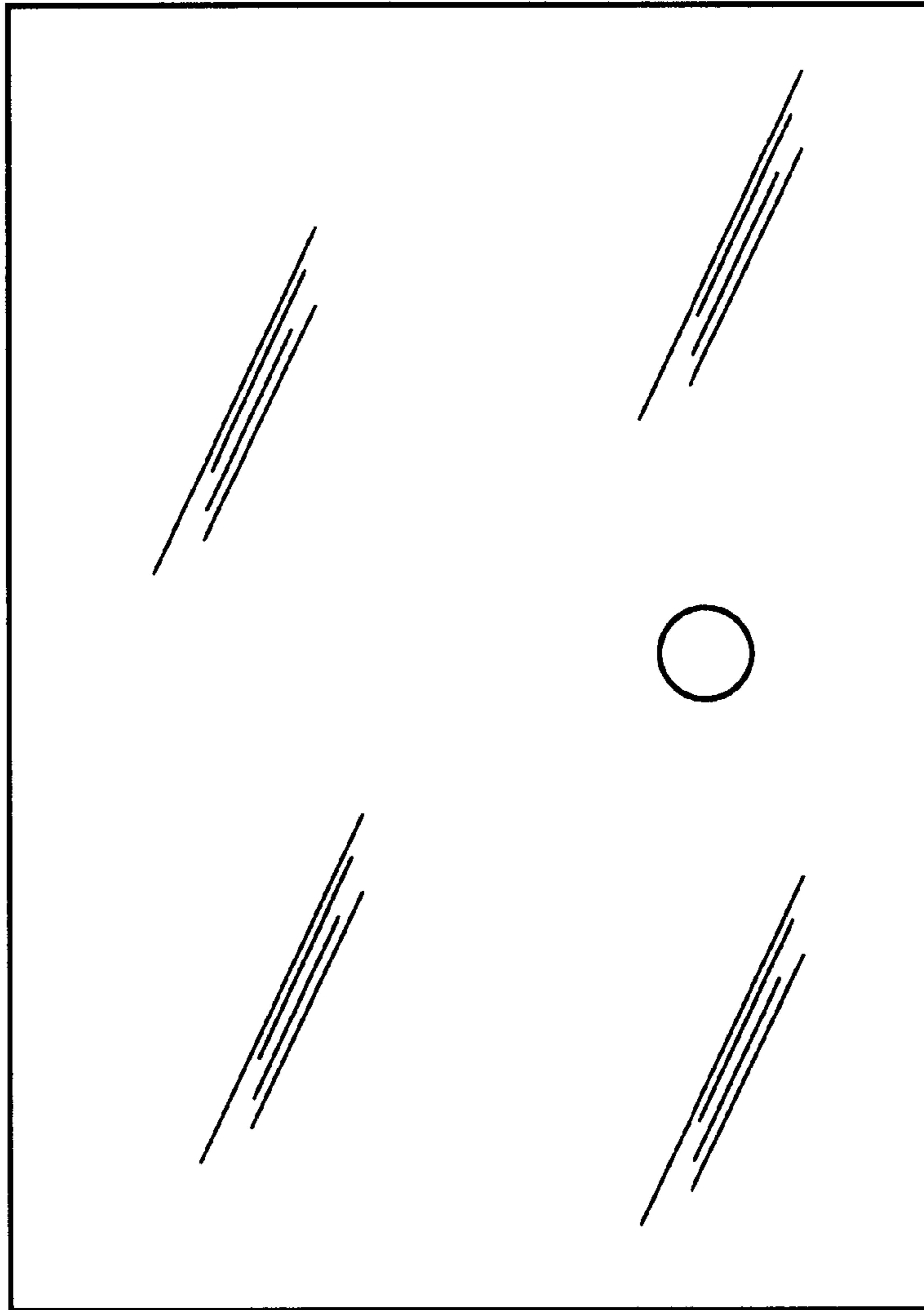


FIG. 5

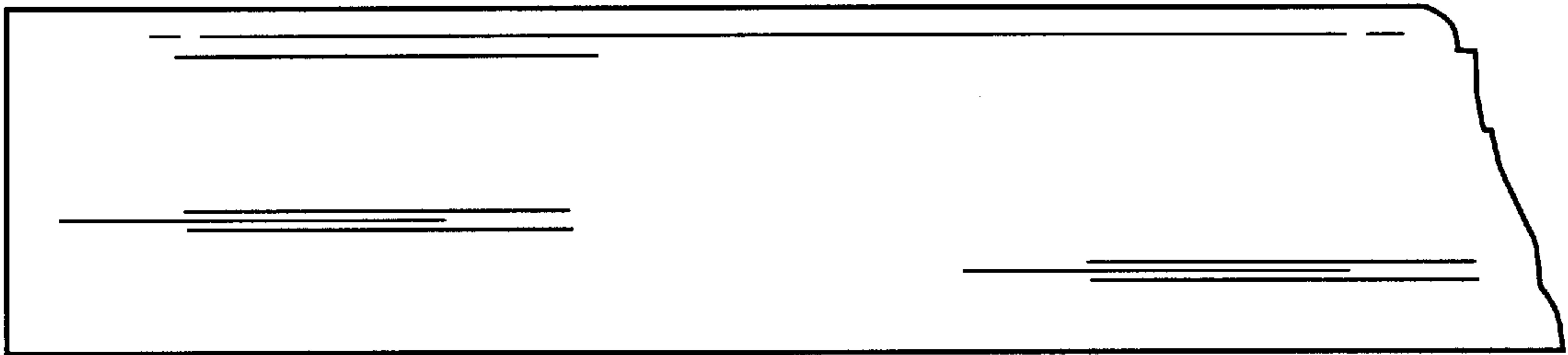


FIG. 6

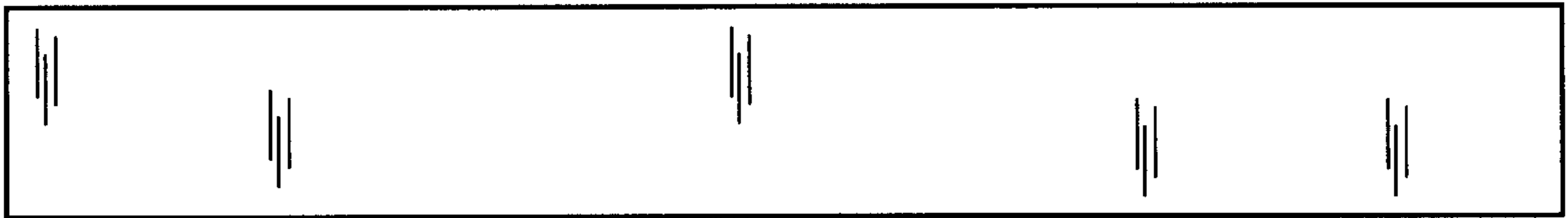


FIG. 7