



US00D480454S

(12) **United States Design Patent**
Filer

(10) **Patent No.:** **US D480,454 S**

(45) **Date of Patent:** **** Oct. 7, 2003**

(54) **EXITING SPIRAL SPLINE FEMALE PIPE COUPLING**

6,179,347 B1 1/2001 Dole et al. 285/321
6,352,288 B1 3/2002 Calkins 285/305
6,363,598 B1 * 4/2002 Staudt et al. 29/407.1

(75) Inventor: **John T. Filer**, Siloam Springs, AR (US)

* cited by examiner

(73) Assignee: **PipeLife Jet Stream, Inc.**, Siloam Springs, AR (US)

Primary Examiner—Robin V. Taylor
(74) *Attorney, Agent, or Firm*—Keisling & Pieper PLC; Trent C. Keisling; David B. Pieper

(**) Term: **14 Years**

(21) Appl. No.: **29/172,176**

(22) Filed: **Dec. 5, 2002**

(51) **LOC (7) Cl.** **23-01**

(52) **U.S. Cl.** **D23/262**

(58) **Field of Search** D23/262, 266, D23/259; 285/333, 390

(57) **CLAIM**

The ornamental design for an exiting spiral spline female pipe coupling, as shown and described.

DESCRIPTION

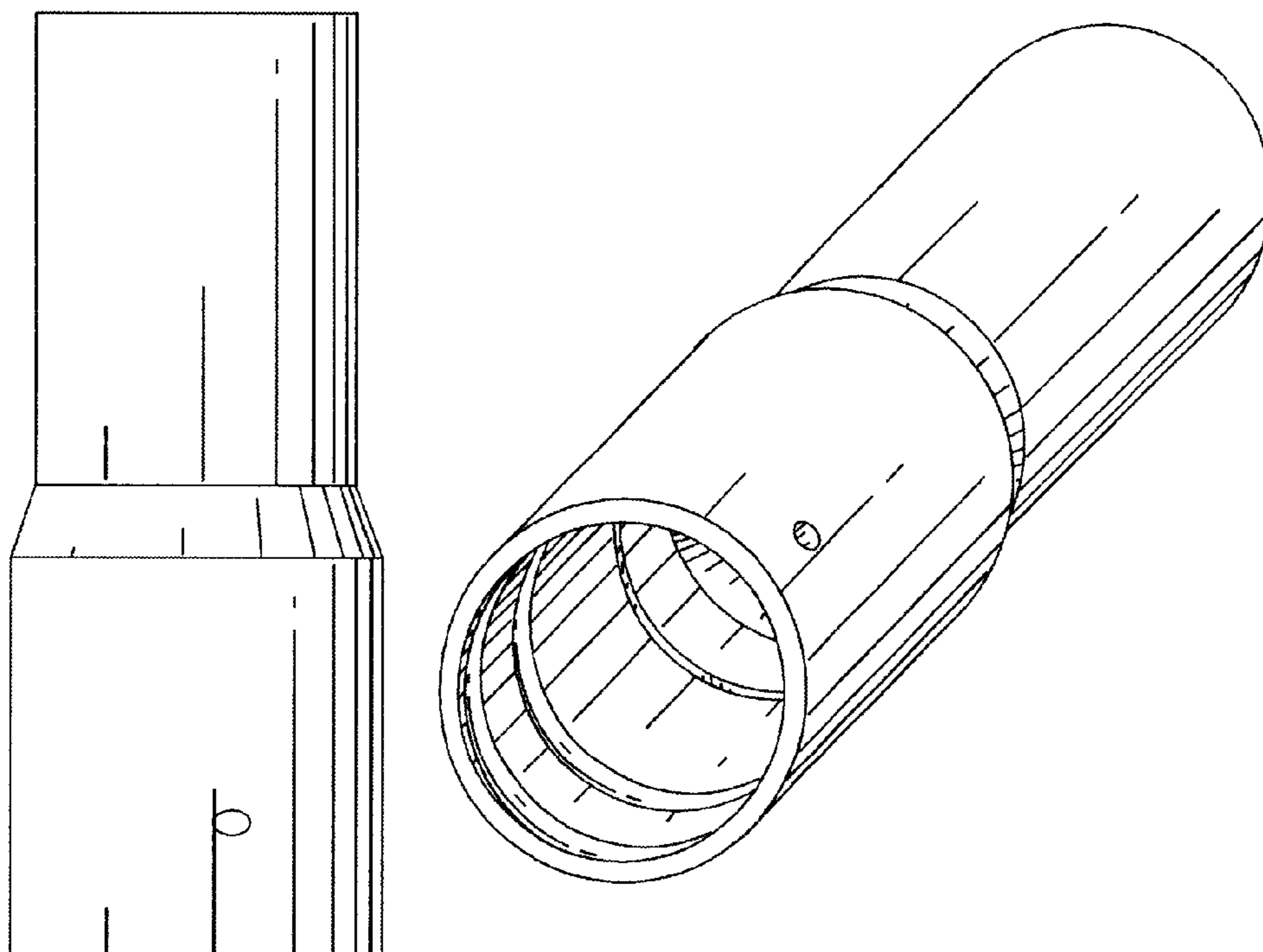
FIG. 1 is a back elevational view of an existing spiral spline female pipe coupling showing my new design;
FIG. 2 is a top projection view thereof showing the spiral internal spline seat ending at the external exit port, and a portion of the recessed gasket seat;
FIG. 3 is a left side elevational view thereof;
FIG. 4 is a top elevational view thereof;
FIG. 5 is a right side elevational view thereof showing the external exit port;
FIG. 6 is a back elevational view thereof;
FIG. 7 is a back projection view thereof;
FIG. 8 is a front elevational view thereof showing the external exit port; and,
FIG. 9 is a cutaway view along line A—A of FIG. 4 showing the internal spiral spline seat and recessed gasket seat visible within the expanded end of the exiting spiral spline female pipe coupling.

(56) **References Cited**

U.S. PATENT DOCUMENTS

1,464,386	A	8/1923	Ingram	
1,820,644	A	8/1931	Bach	
2,346,051	A	4/1944	Seamark	285/193
2,665,931	A	1/1954	Vegren	287/119
2,777,718	A	1/1957	Vegren	287/119
3,549,181	A	* 12/1970	Larson	285/390
4,040,326	A	8/1977	Breed	85/32
4,317,585	A	* 3/1982	Boice	285/93
4,397,484	A	* 8/1983	Miller	285/81
4,475,623	A	* 10/1984	Gerber et al.	181/243
4,491,351	A	1/1985	Galle, Jr. et al.	285/318
4,629,225	A	* 12/1986	Rowsey	285/334.1
D407,802	S	* 4/1999	Hatfield et al.	D23/262
D418,210	S	* 12/1999	Roesch	D23/262

1 Claim, 5 Drawing Sheets



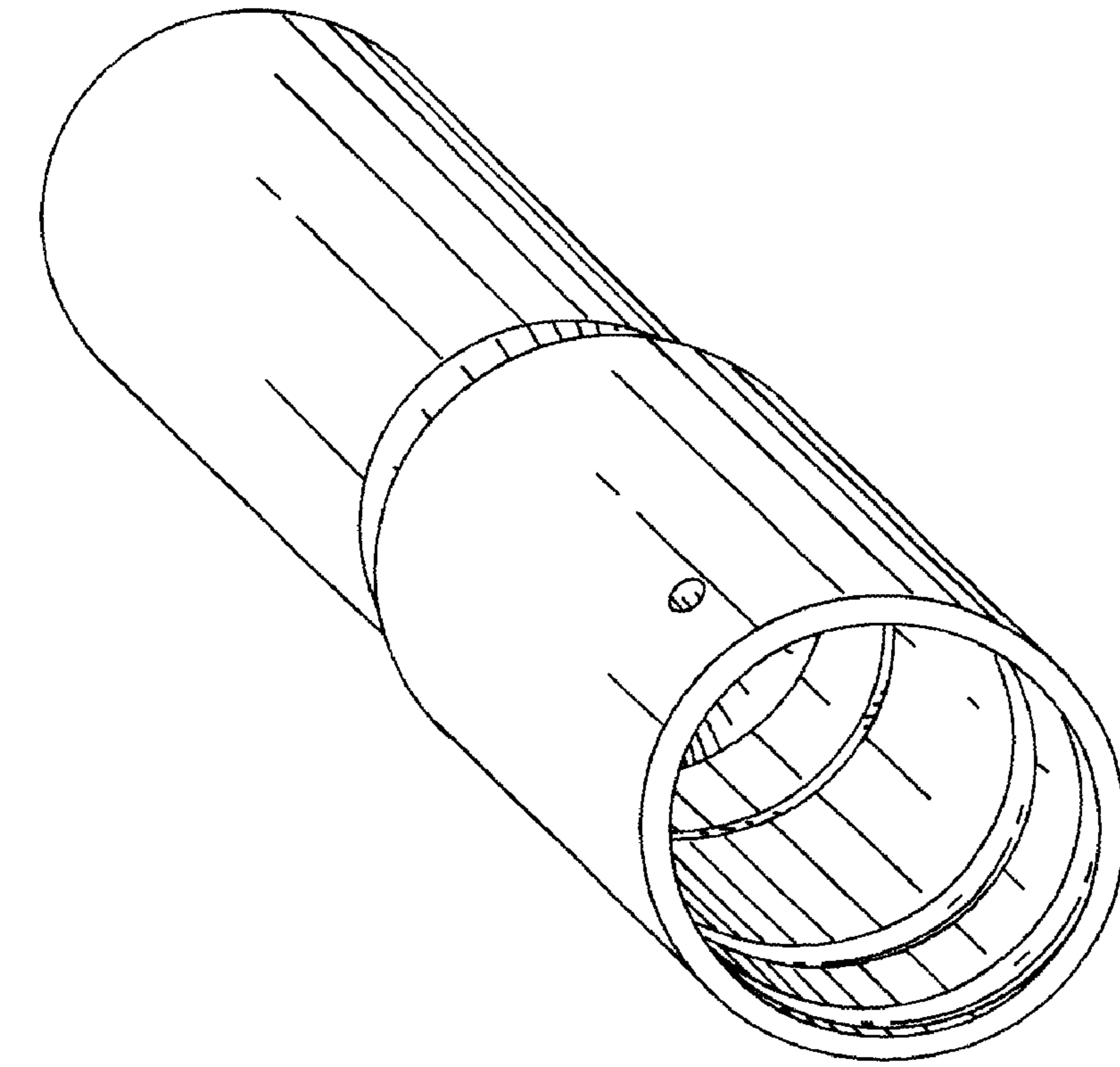


FIG. 2

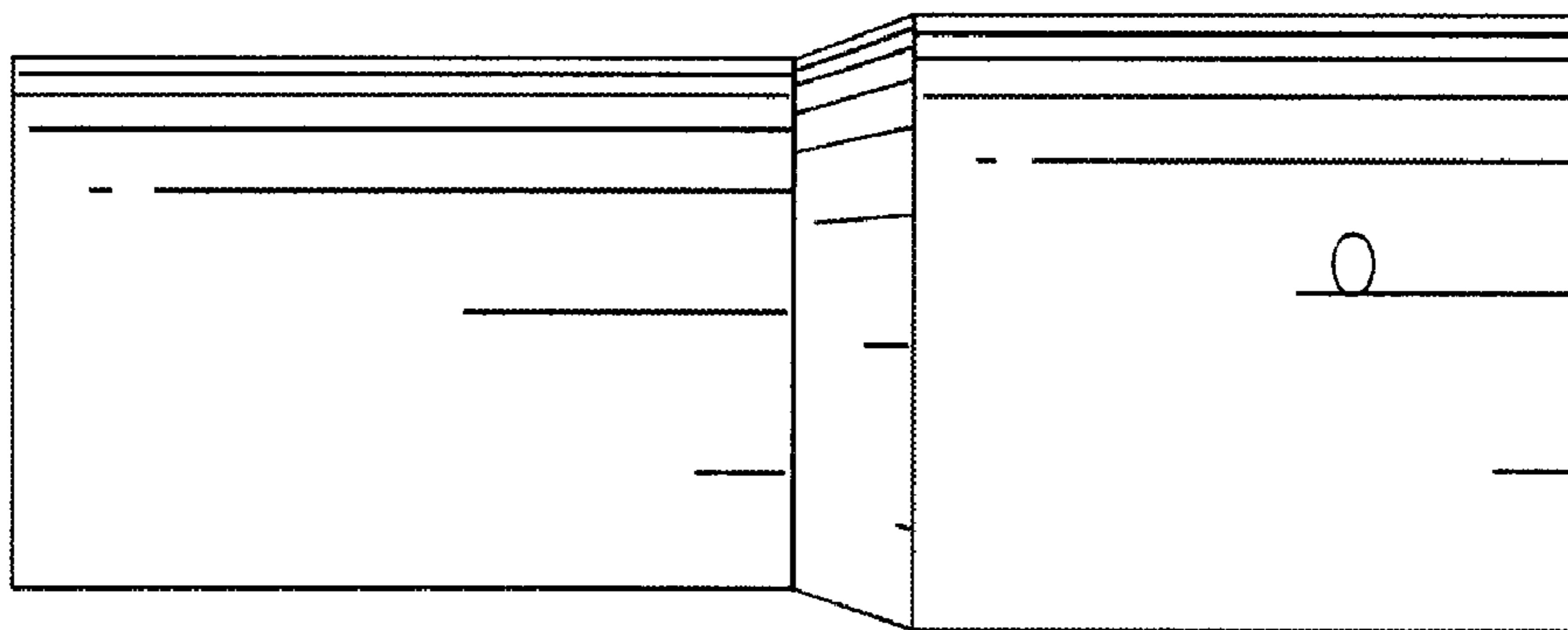


FIG. 1

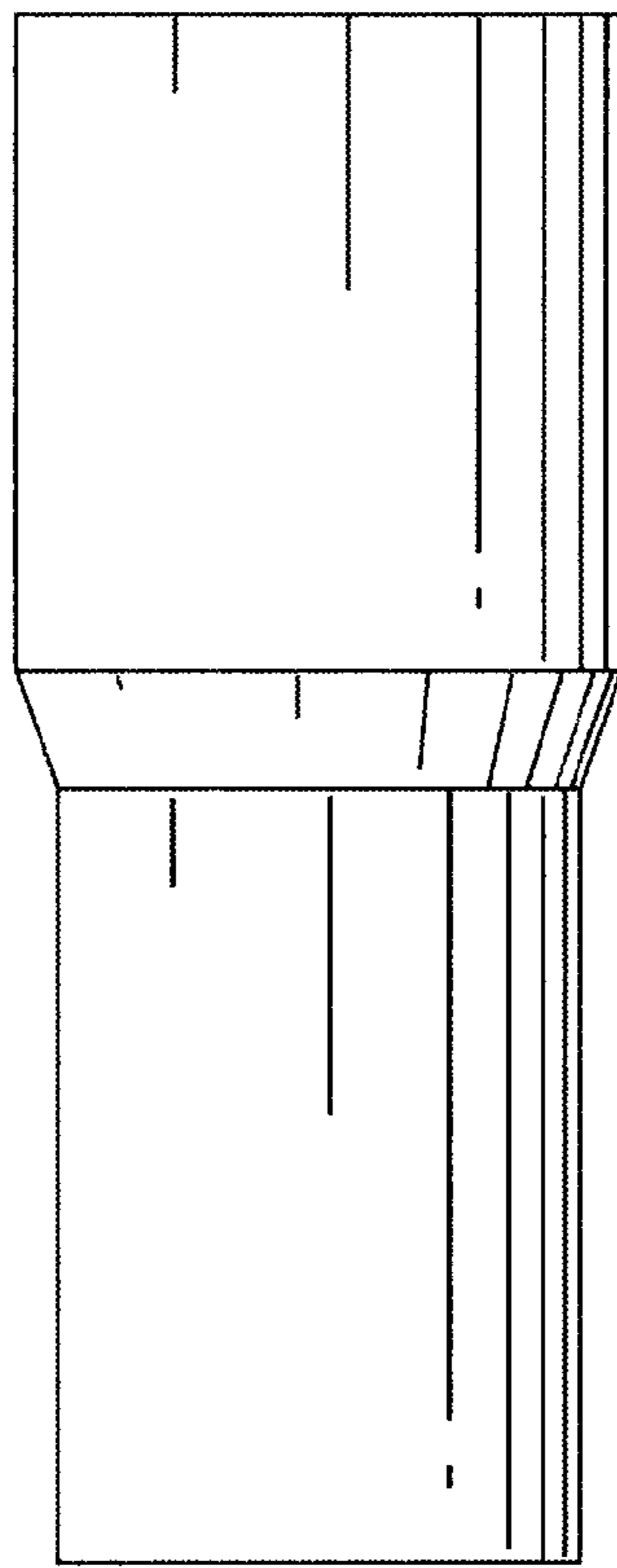


FIG. 3

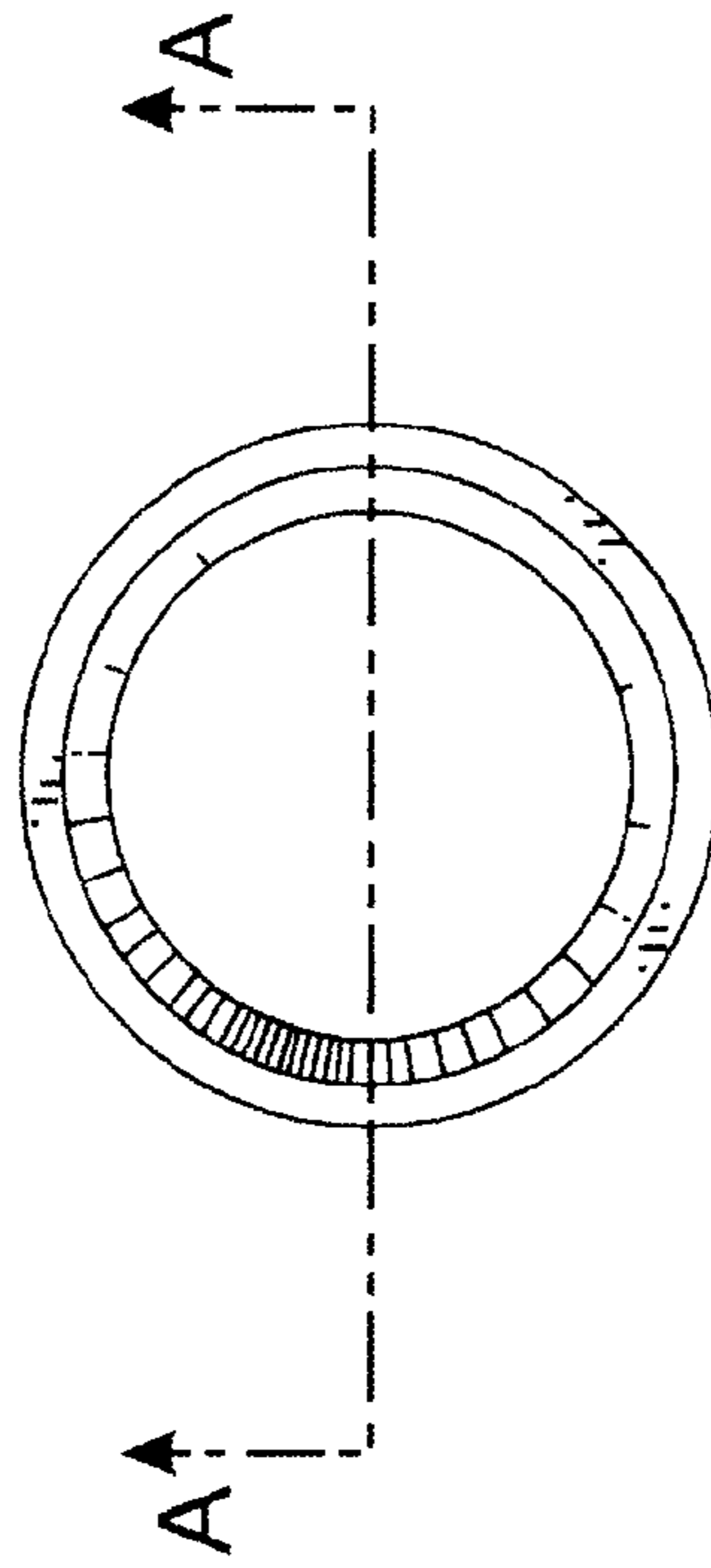


FIG. 4

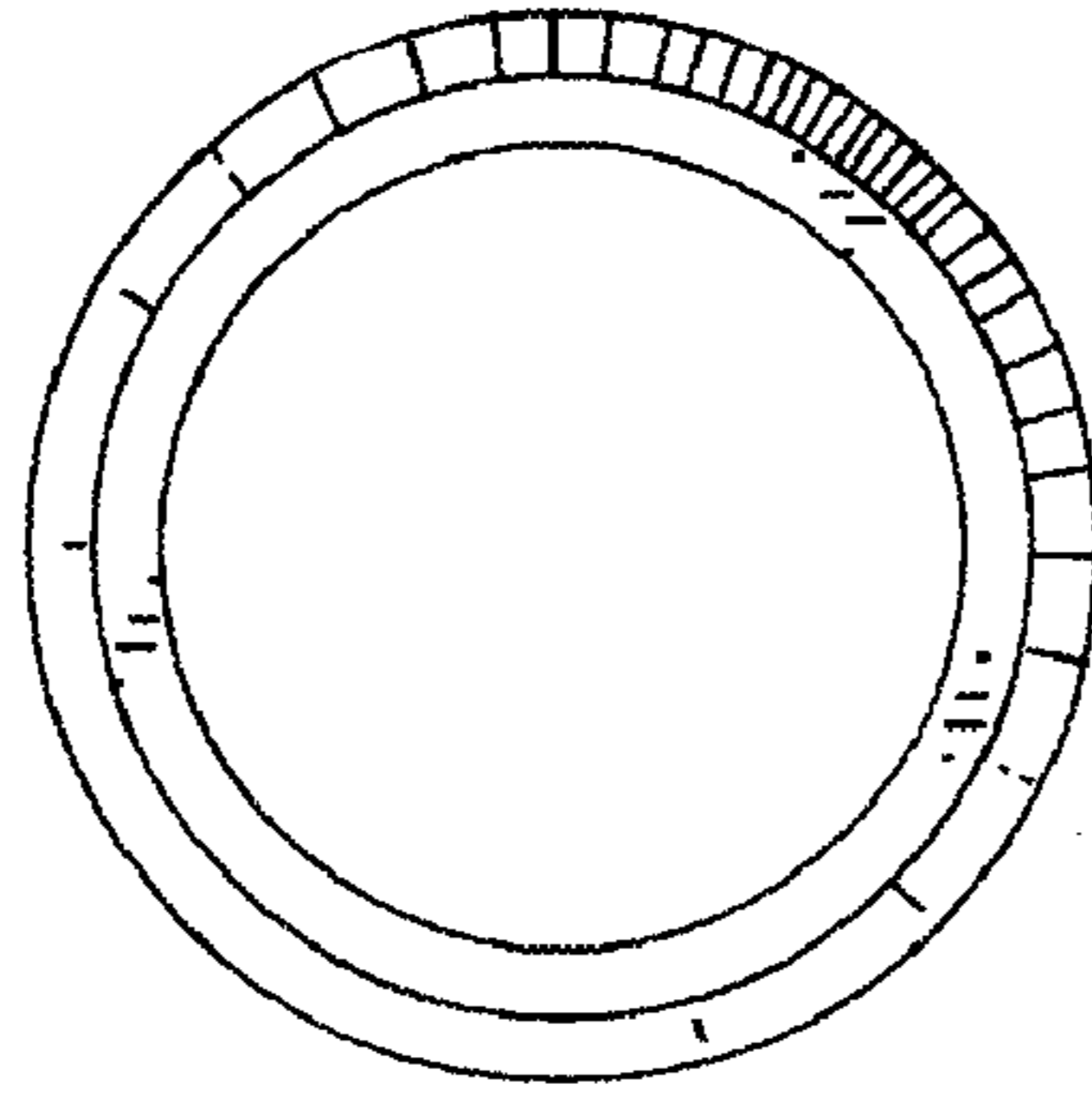


FIG. 6

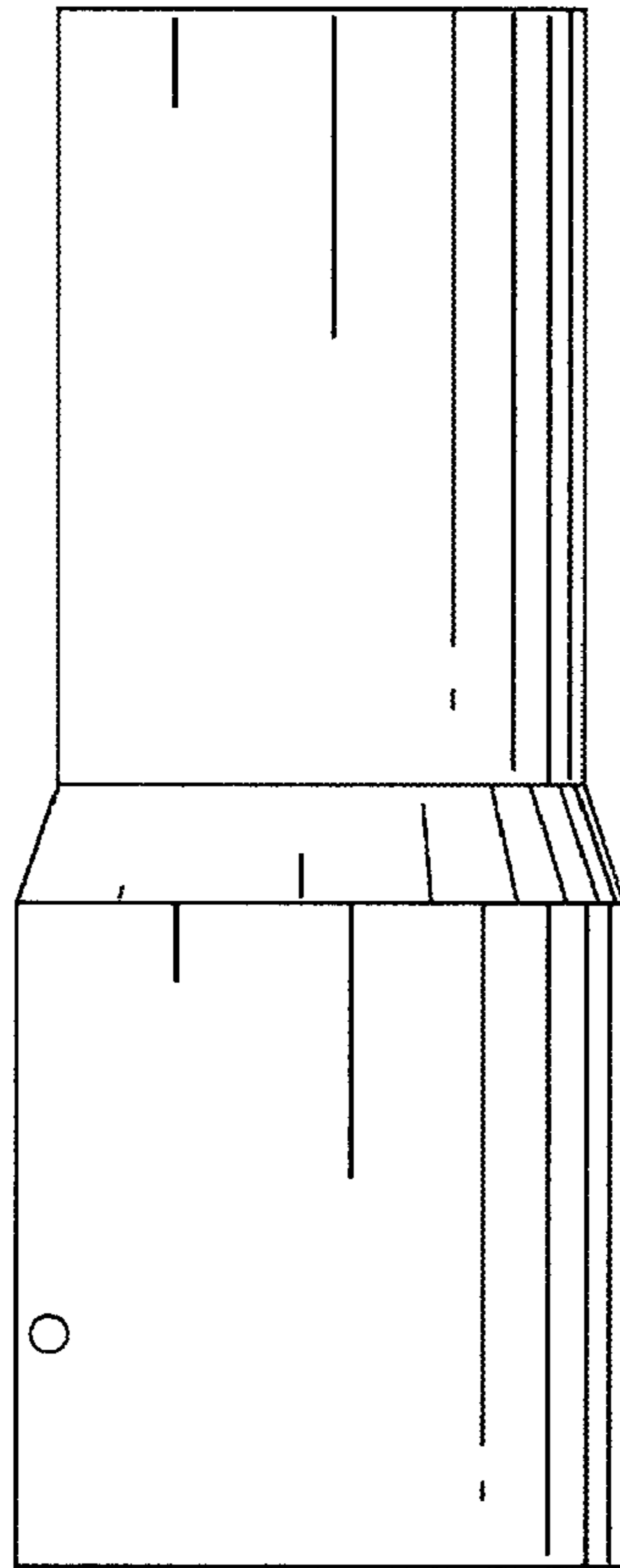


FIG. 5

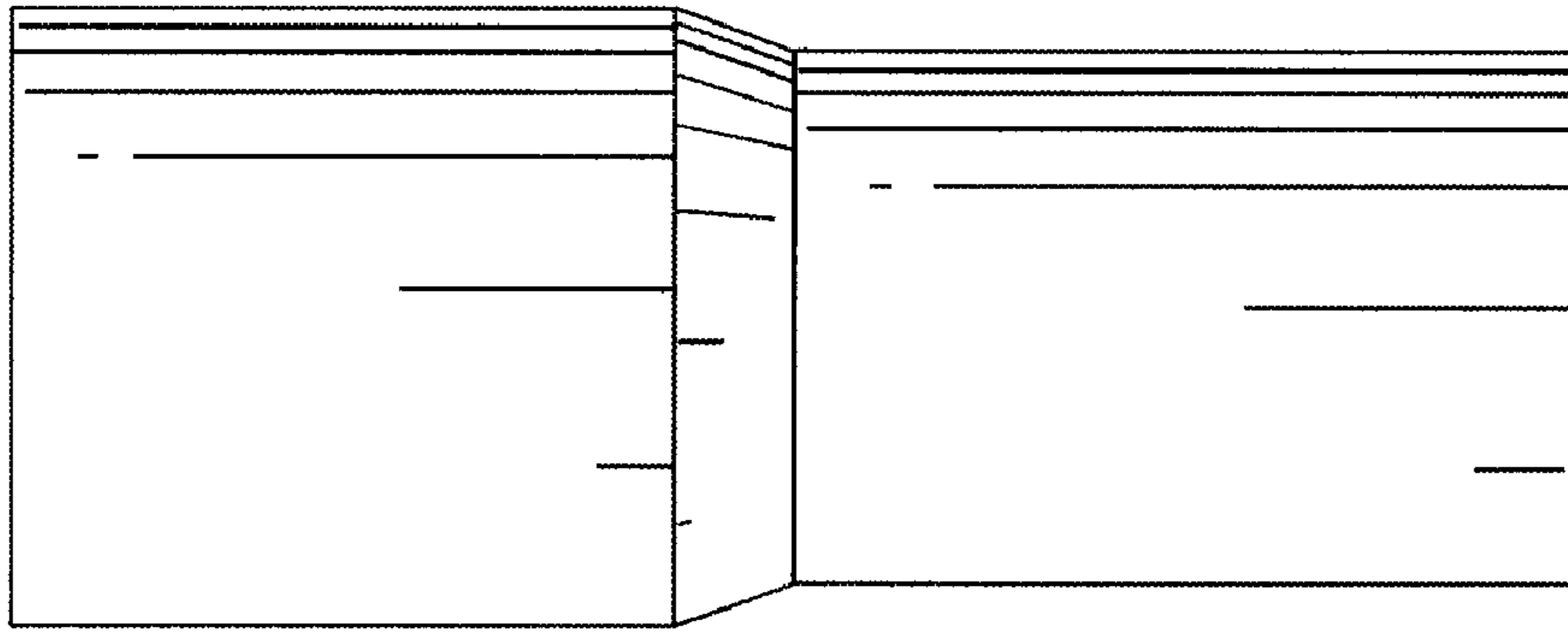


FIG. 8

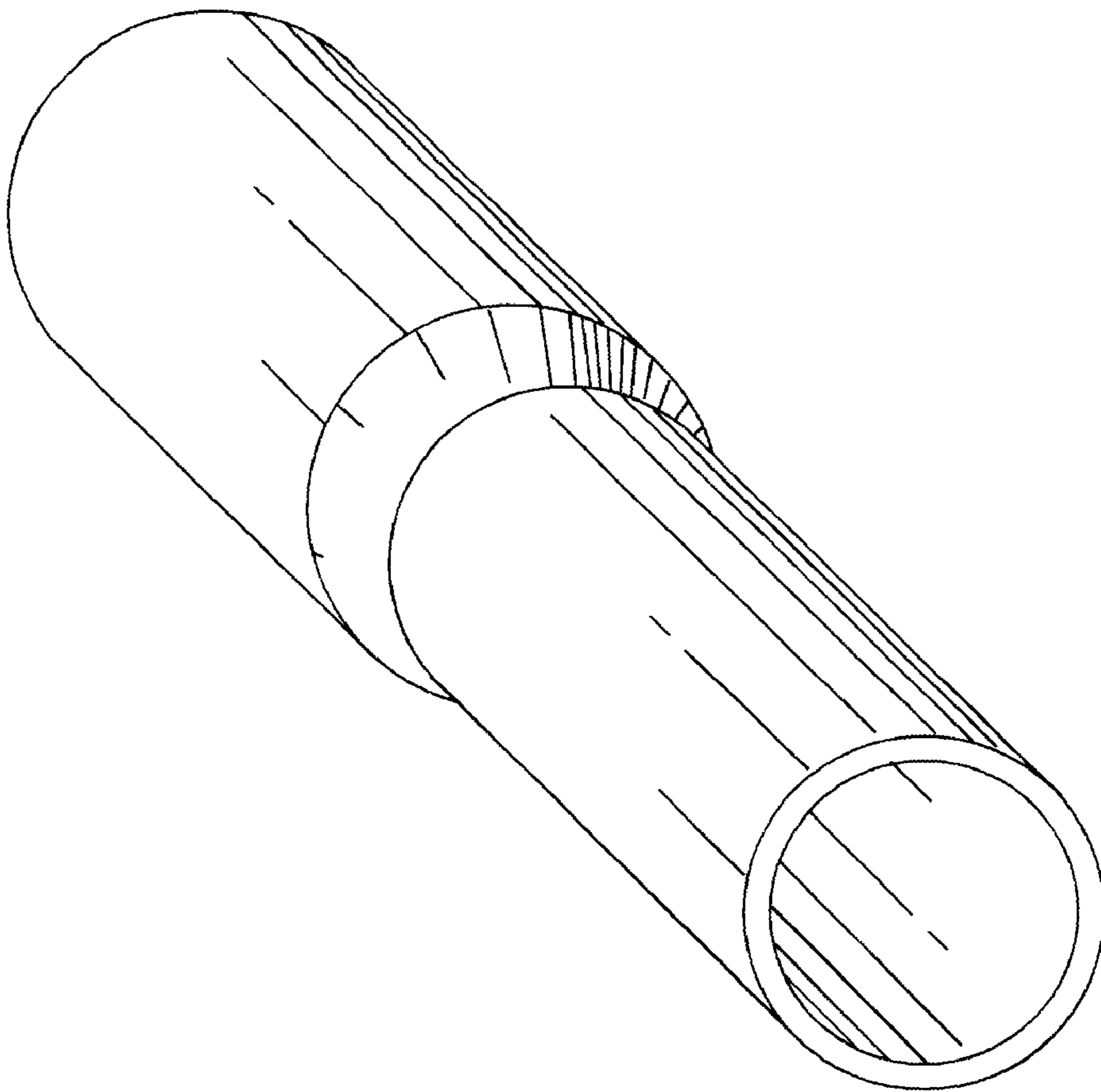


FIG. 7

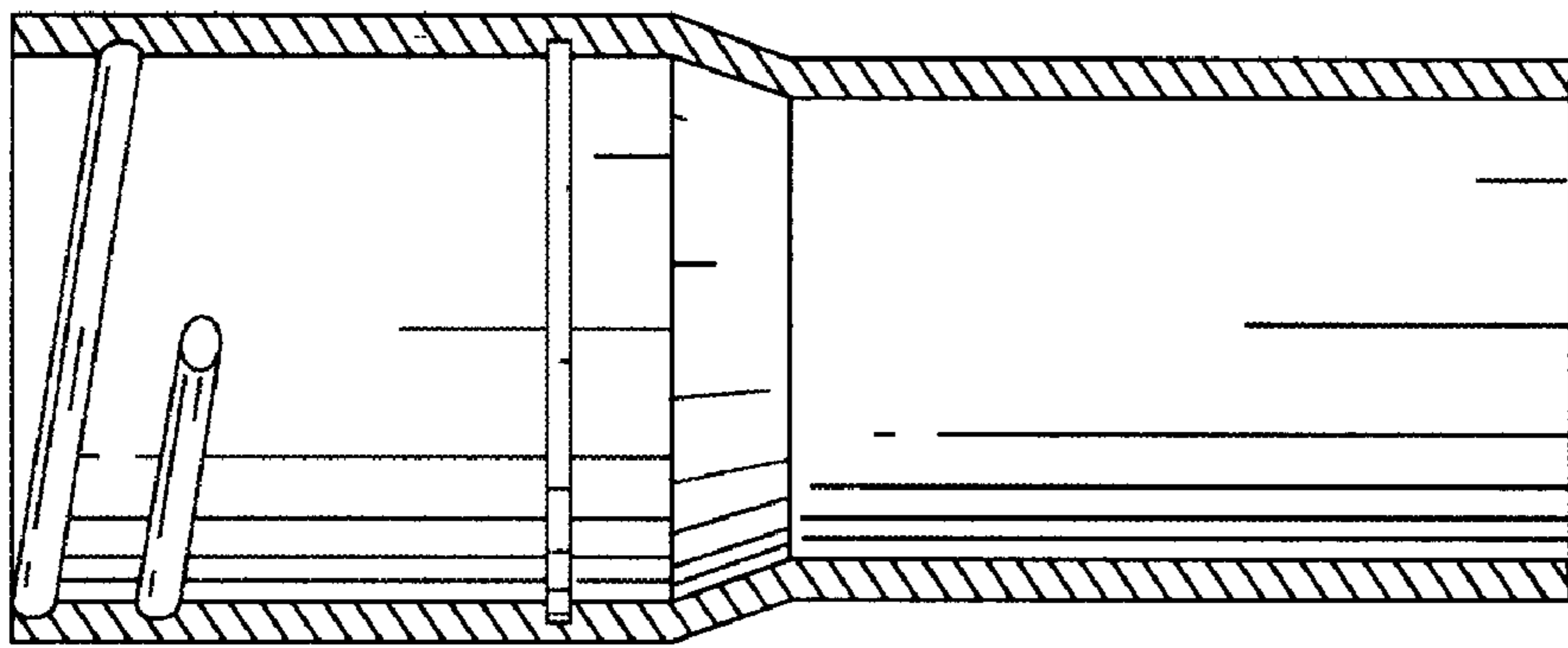


FIG. 9