



US00D480452S

(12) **United States Design Patent**
Marshall

(10) **Patent No.:** **US D480,452 S**

(45) **Date of Patent:** **** Oct. 7, 2003**

(54) **SANITARY MIXING VALVE, ESPECIALLY THE VISIBLE PART OF A BUILT-IN MIXING VALVE**

(75) **Inventor:** **Chris Marshall, Cumming, GA (US)**

(73) **Assignee:** **Hansgrohe AG, Schiltach (DE)**

(**) **Term:** **14 Years**

(21) **Appl. No.:** **29/176,178**

(22) **Filed:** **Feb. 19, 2003**

(51) **LOC (7) Cl.** **23-01**

(52) **U.S. Cl.** **D23/254; D23/245**

(58) **Field of Search** **D23/245, 249-257; D8/300-310, 350-354; 4/675-678; 137/801; 16/110.1, 451**

(56) **References Cited**

U.S. PATENT DOCUMENTS

D212,621 S	*	11/1968	Young	D23/249
D321,468 S	*	11/1991	Reid	D8/352
D322,307 S	*	12/1991	Chretien	D23/252
D331,797 S	*	12/1992	Rosenbaum	D23/249
D345,782 S	*	4/1994	Short et al.	D23/249
D393,895 S	*	4/1998	Gottwald	D23/254
D401,674 S	*	11/1998	Lord	D23/254
D410,737 S	*	6/1999	Gottwald	D23/250

D421,099 S	*	2/2000	Mullenmeister	D23/254
D437,632 S	*	2/2001	Fleischmann	D23/254
D458,348 S	*	6/2002	Mullenmeister	D23/254
D460,535 S	*	7/2002	Green	D23/254
D461,877 S	*	8/2002	Veltz	D23/252
D461,878 S	*	8/2002	Green et al.	D23/254
D463,849 S	*	10/2002	Otero	D23/254
D473,291 S	*	4/2003	Marshall	D23/254

* cited by examiner

Primary Examiner—Nelson C. Holtje

(74) *Attorney, Agent, or Firm*—Duane Morris LLP

(57) **CLAIM**

The ornamental design of a sanitary mixing valve, especially the visible part of a built-in mixing valve, as shown and described.

DESCRIPTION

FIG. 1: is a side perspective view of the sanitary mixing valve, especially the visible part of a built-in mixing valve, showing my new design;

FIG. 2: is a front elevational view thereof;

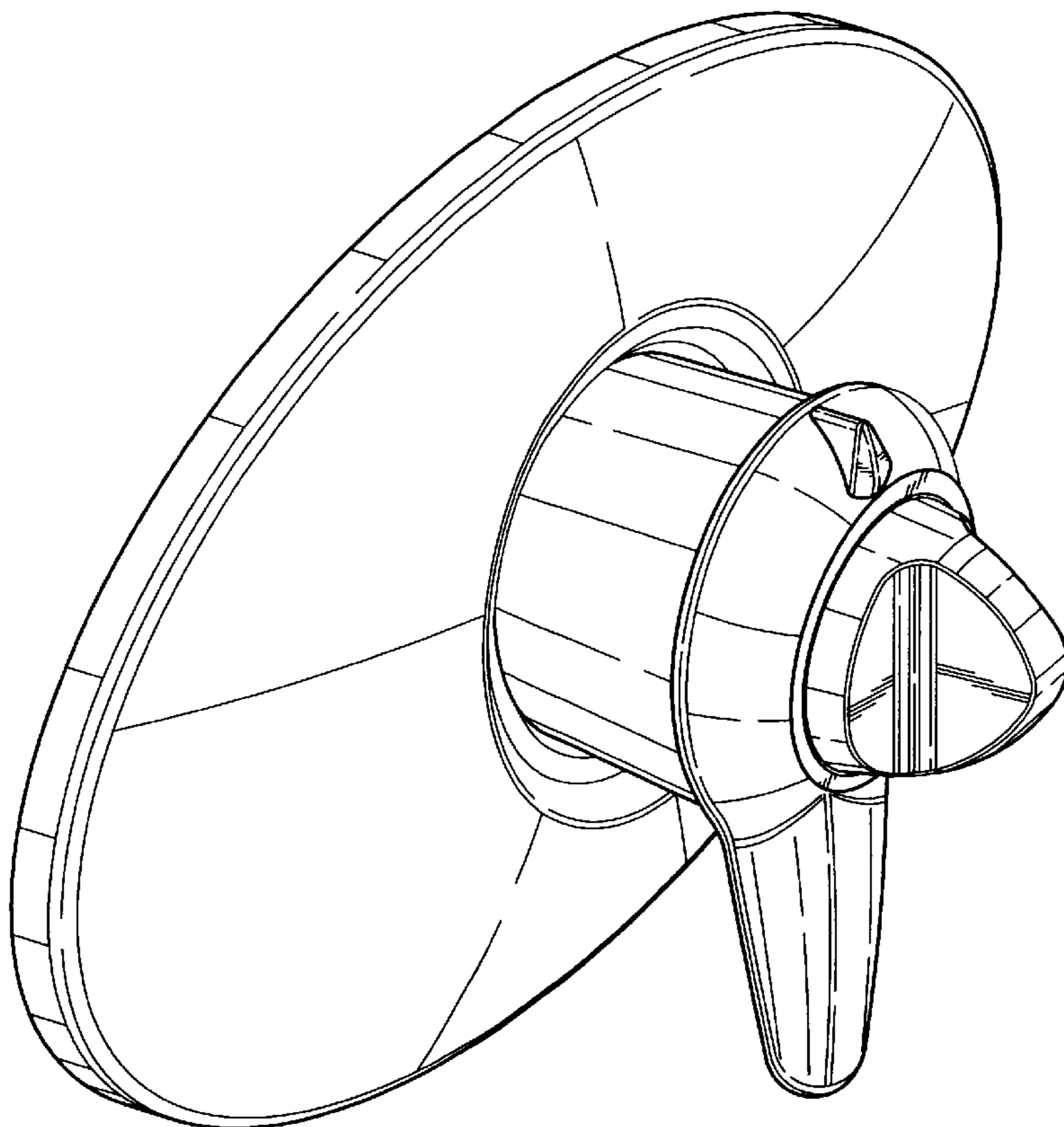
FIG. 3: is a top plan view thereof;

FIG. 4: is a bottom plan view thereof;

FIG. 5: is a side elevation view thereof (the opposite side being a mirror image); and,

FIG. 6: is a rear elevation view thereof.

1 Claim, 6 Drawing Sheets



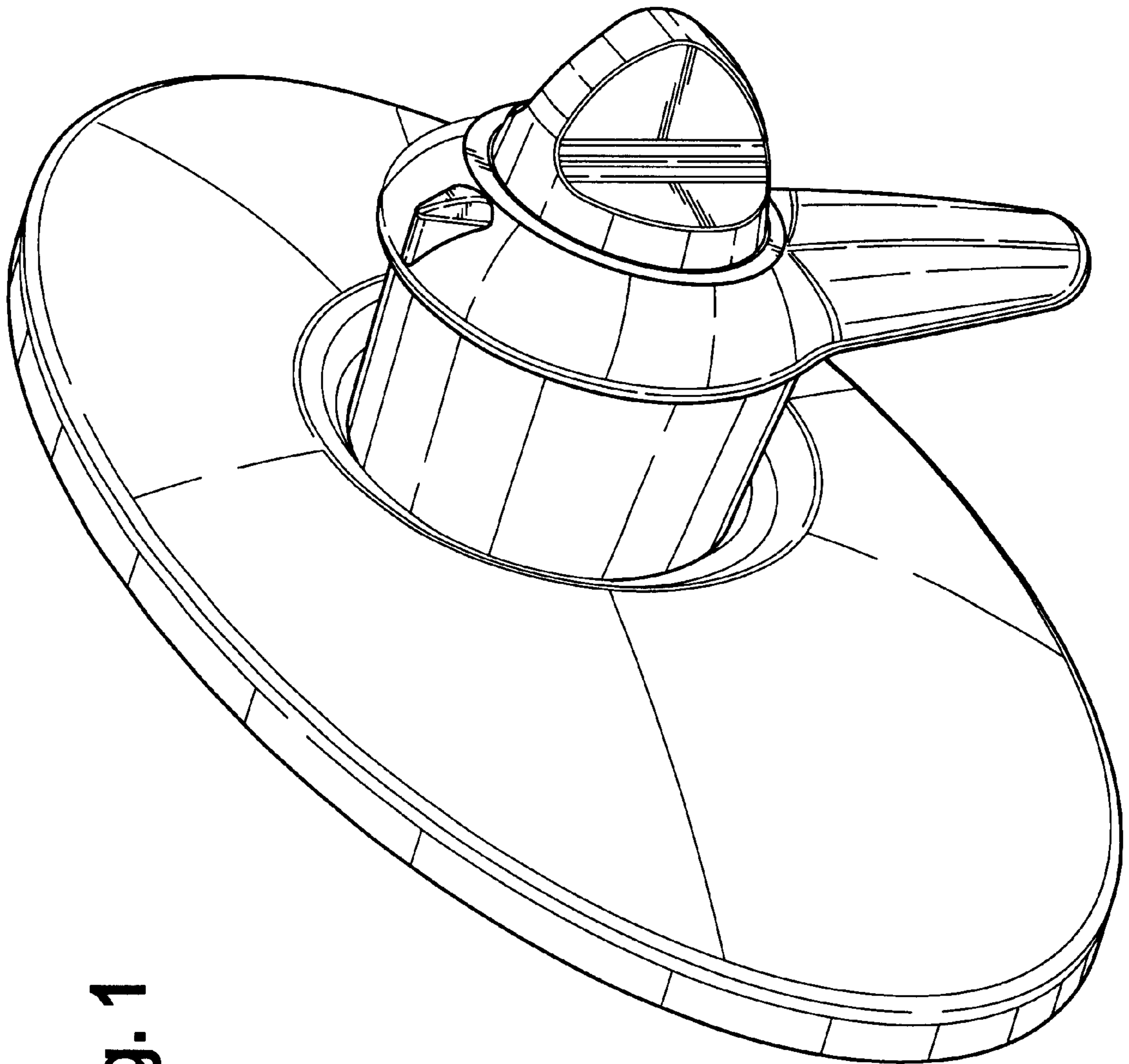


Fig. 1

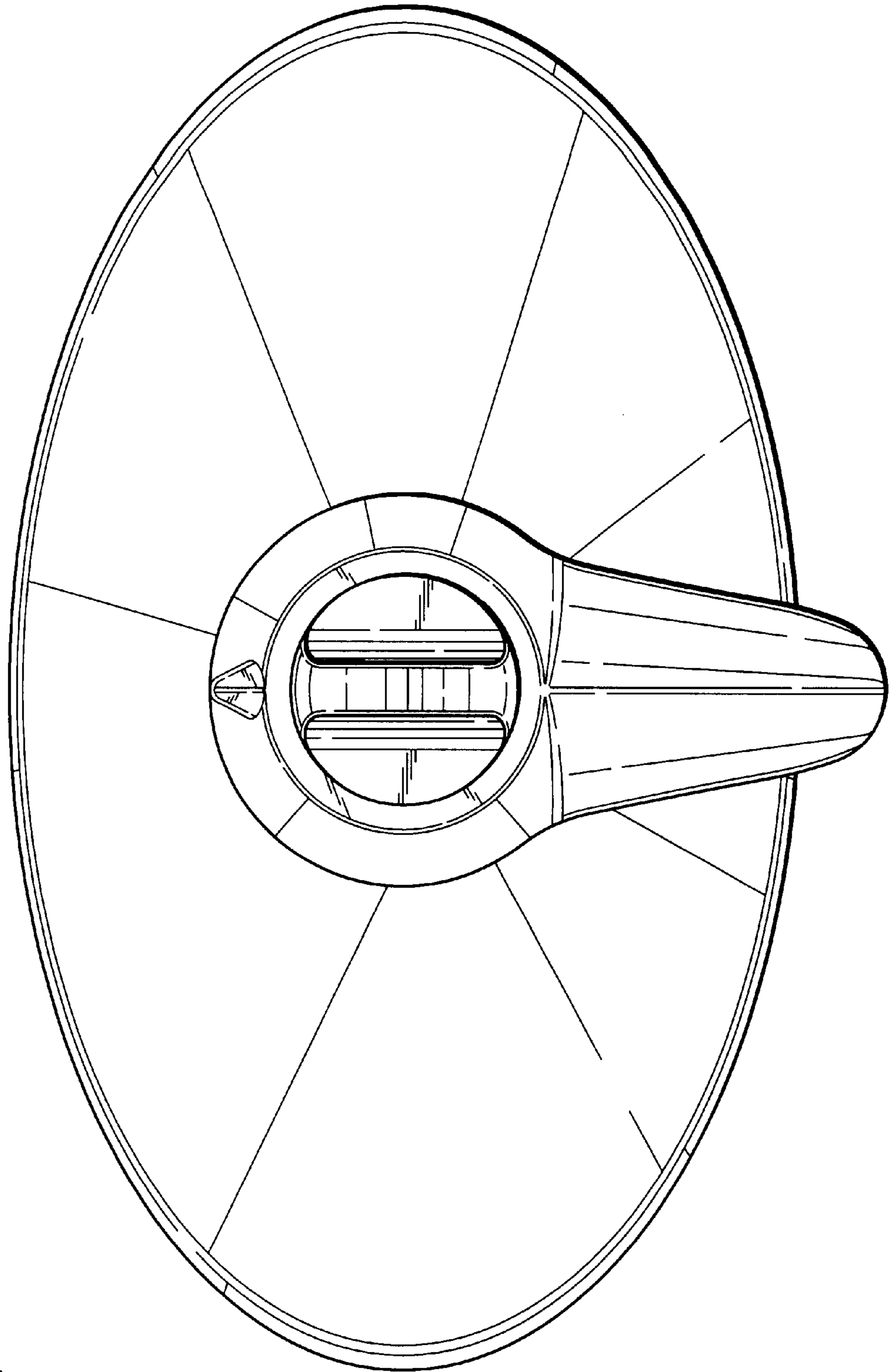
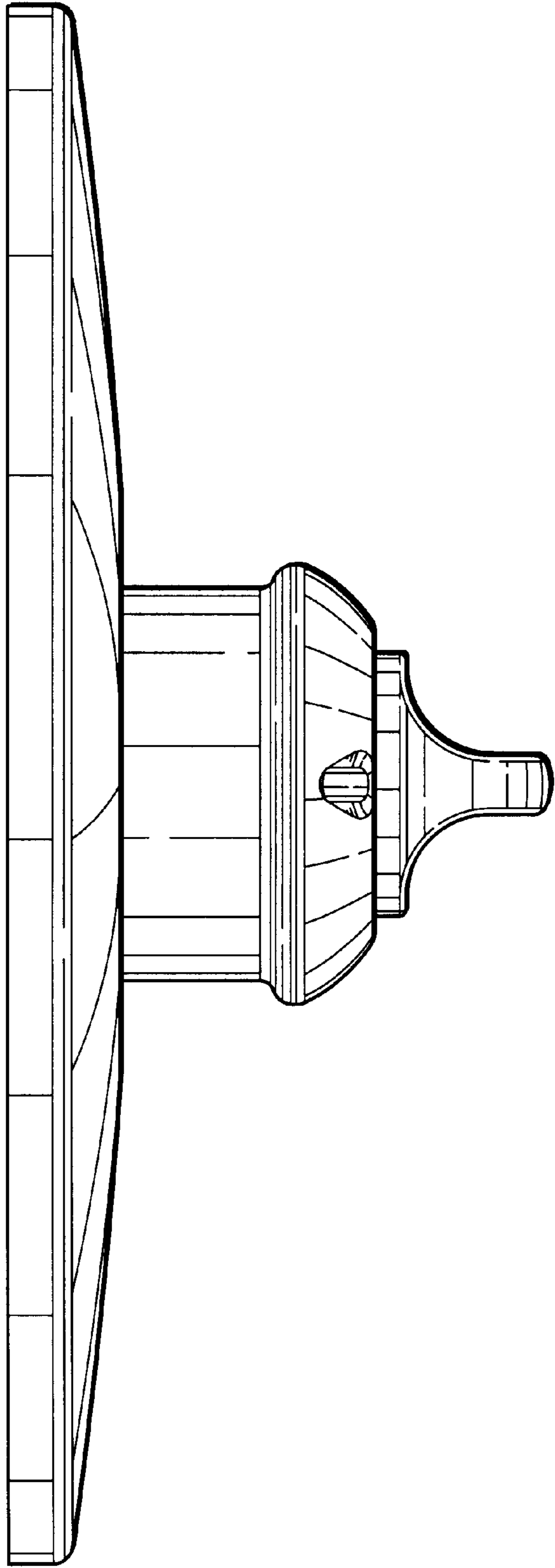


Fig. 2

Fig. 3



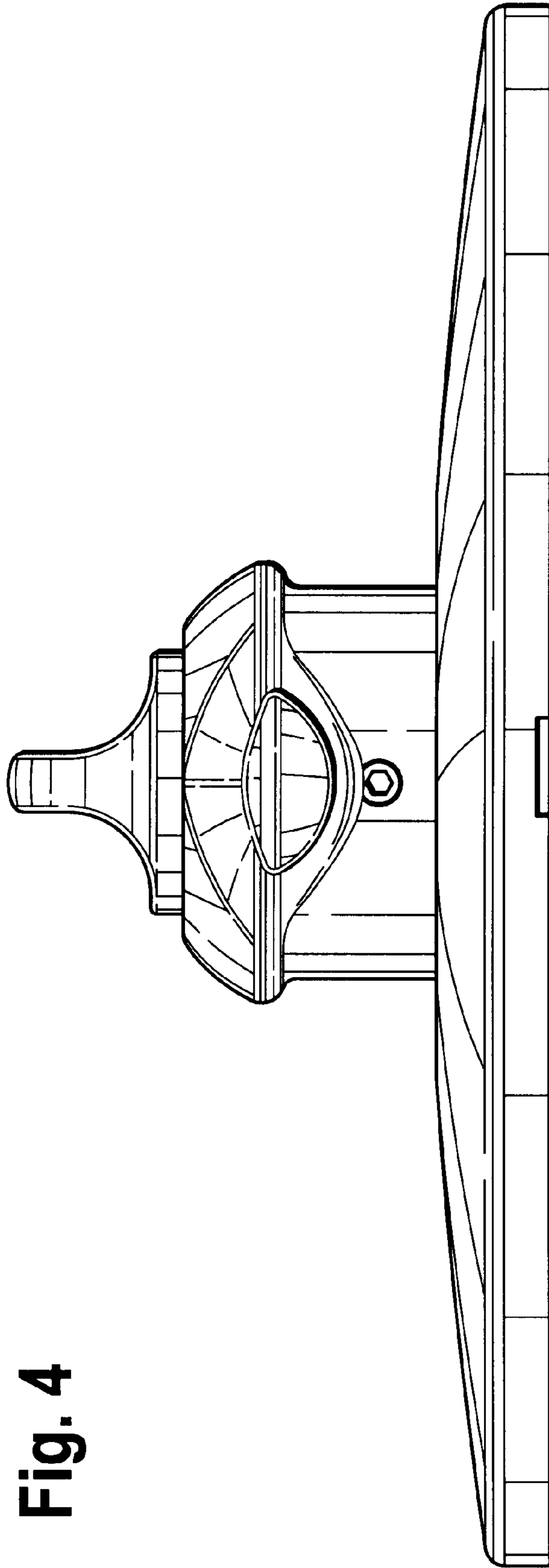
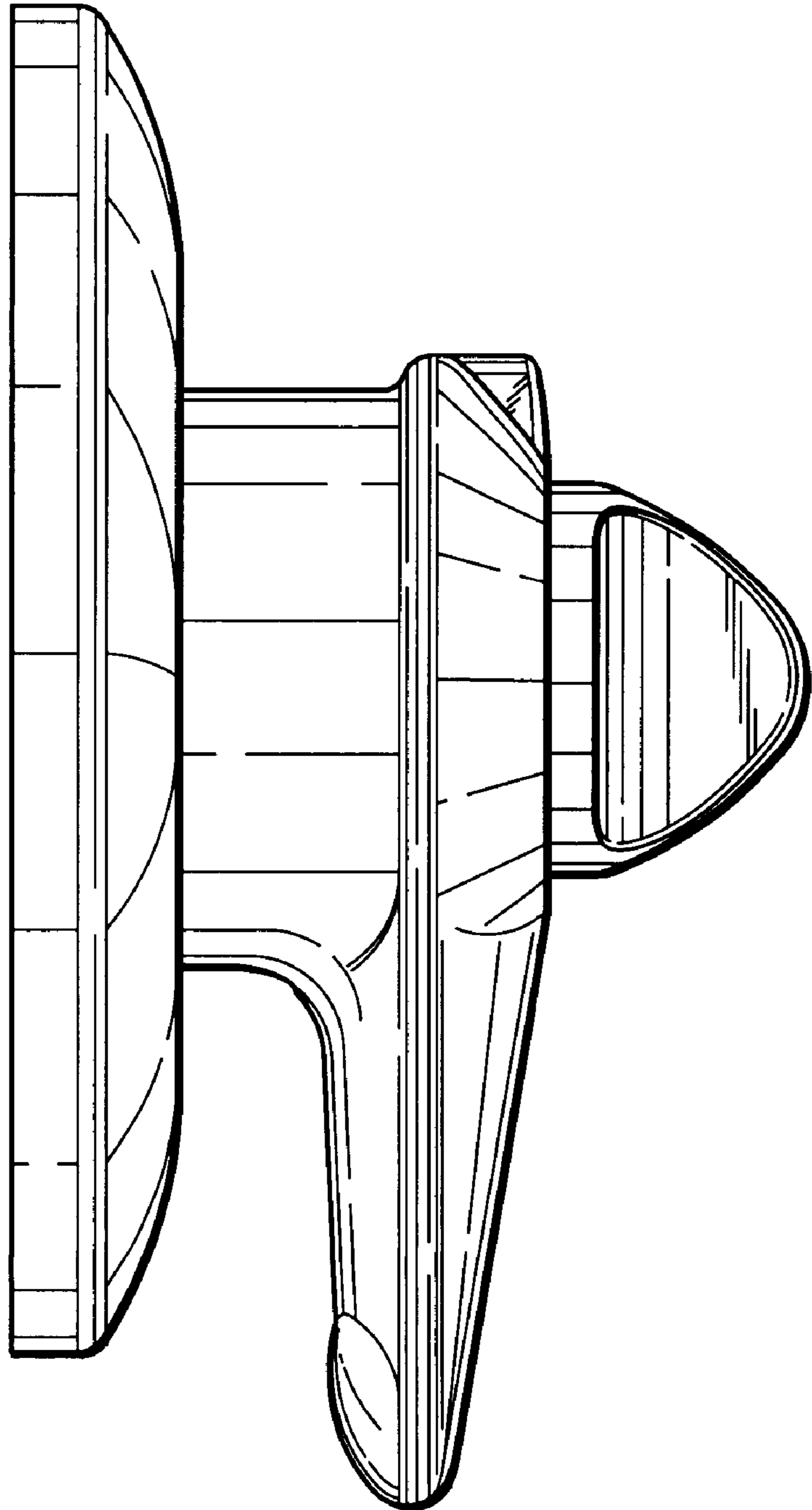


Fig. 4

Fig. 5



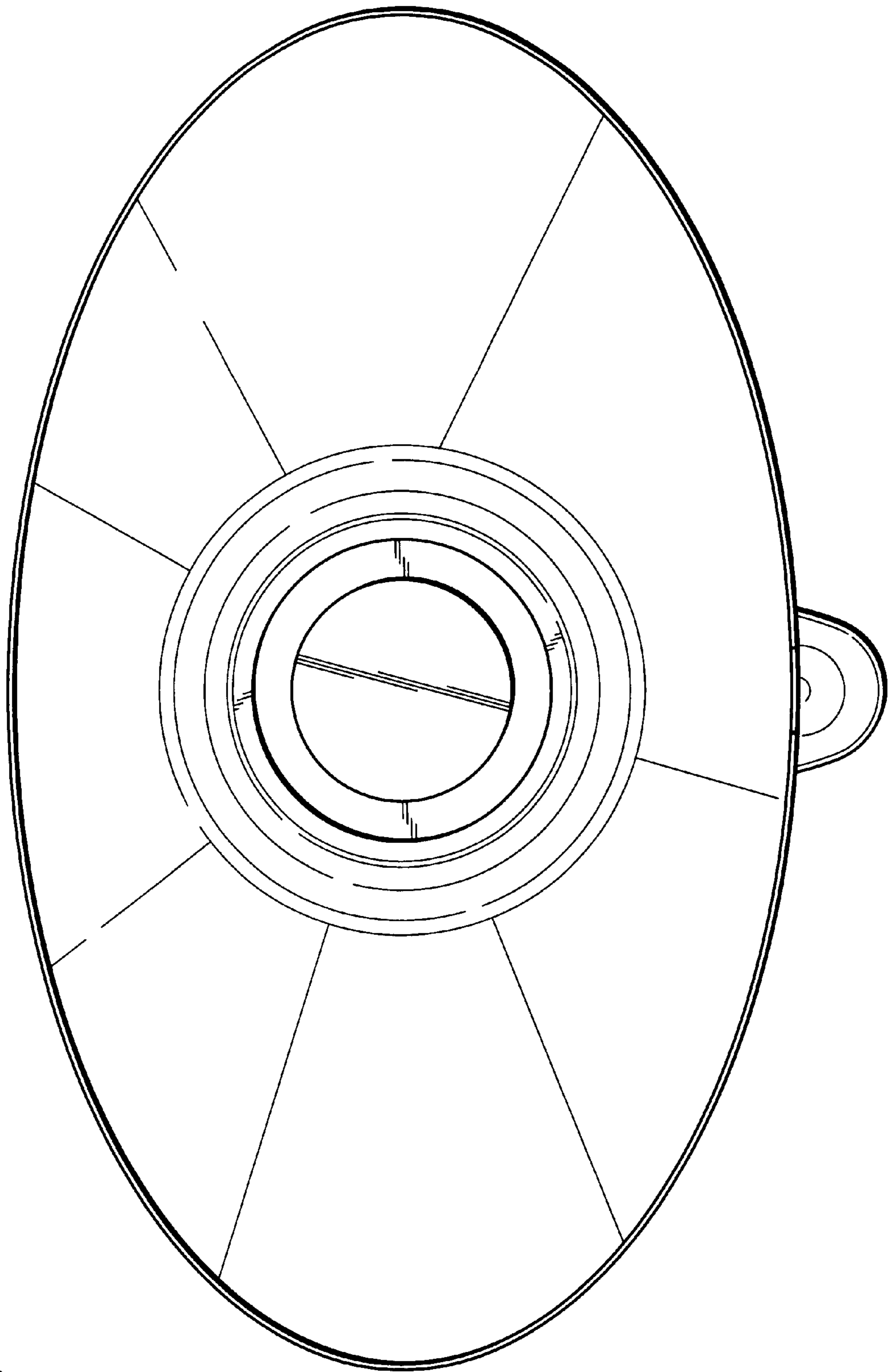


Fig. 6