



US00D480450S

(12) **United States Design Patent**  
**Saadi et al.**

(10) **Patent No.:** **US D480,450 S**

(45) **Date of Patent:** **\*\* Oct. 7, 2003**

(54) **FLUSH VALVE ACTUATOR**

6,408,873 B1 \* 6/2002 Hall et al. .... 137/550

(75) Inventors: **Robert E. Saadi**, Erie, PA (US);  
**Michael A. Funari**, Apex, NC (US)

(73) Assignee: **Zurn Industries, Inc.**, Erie, PA (US)

(\*\*) Term: **14 Years**

(21) Appl. No.: **29/160,819**

(22) Filed: **May 16, 2002**

(51) **LOC (7) Cl.** ..... **23-01**

(52) **U.S. Cl.** ..... **D23/249**

(58) **Field of Search** ..... D23/249, 233,  
D23/235, 245; 137/550, 554; 251/30.02,  
30.01, 40

(56) **References Cited**

**U.S. PATENT DOCUMENTS**

D211,727 S	*	7/1968	Cheslock	.....	D23/249
4,261,545 A	*	4/1981	Allen	.....	251/40
5,213,305 A	*	5/1993	Whiteside et al.	.....	251/40
5,415,374 A	*	5/1995	Carroll et al.	.....	251/40
D370,057 S		5/1996	Muderlak		
6,019,343 A	*	2/2000	Tsai	.....	251/30.02

**OTHER PUBLICATIONS**

Zurn Industries, Inc., E-Z Flush Unit brochure, Date Unknown, 20 pp.

Six photographs of Zurn E-Z Flush Unit.

\* cited by examiner

*Primary Examiner*—Nelson C. Holtje

(74) *Attorney, Agent, or Firm*—Webb Ziesenheim Logsdon Orkin & Hanson, P.C.

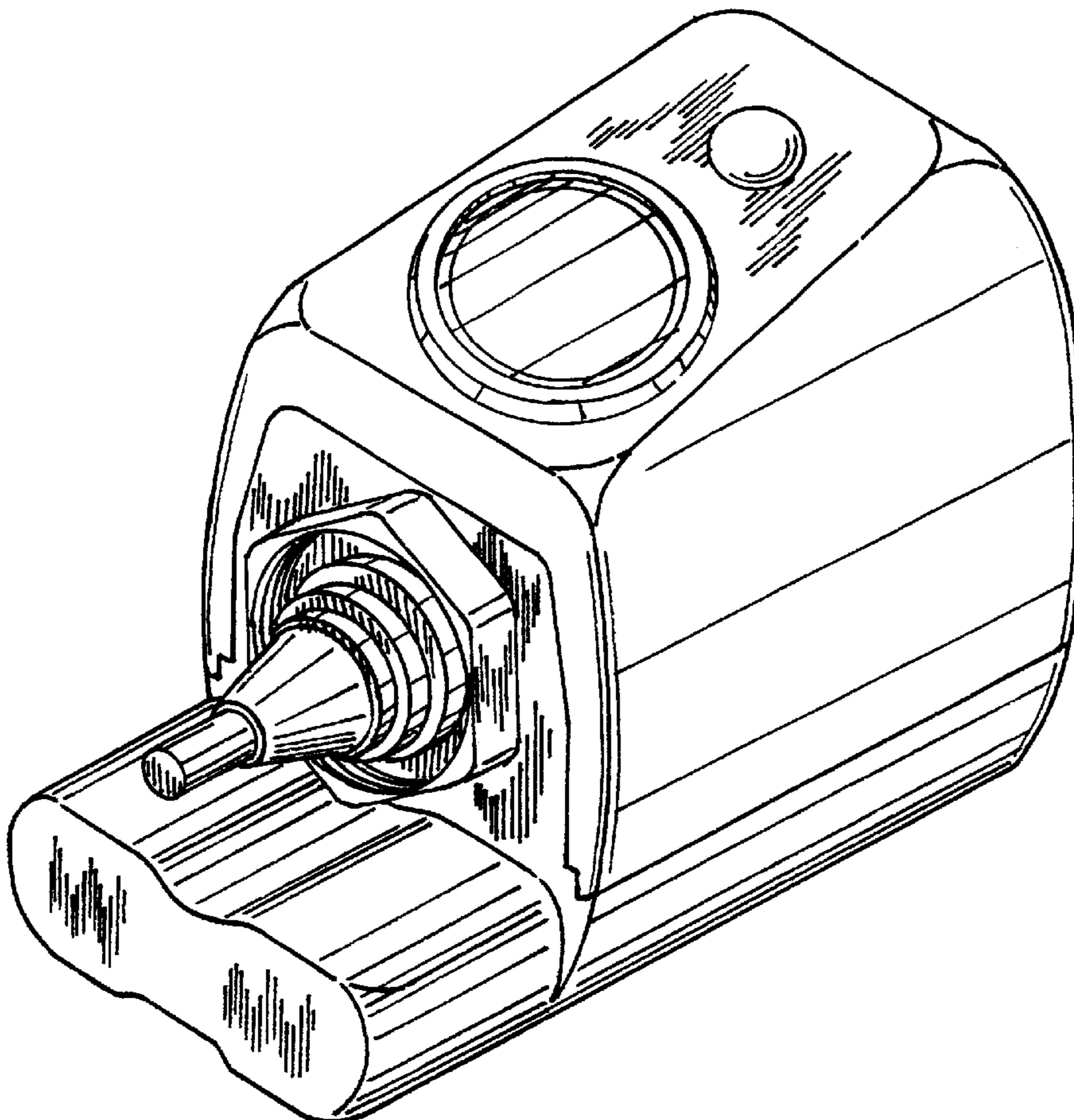
(57) **CLAIM**

The ornamental design for a flush valve actuator, as shown.

**DESCRIPTION**

FIG. 1 is a top perspective view of a flush valve actuator made in accordance with the present invention; FIG. 2 is a front elevational view thereof; FIG. 3 rear elevational view thereof; FIG. 4 is a right side elevational view thereof; FIG. 5 is a left side elevational view thereof; FIG. 6 is a top plan view thereof; and, FIG. 7 is a bottom plan view thereof.

**1 Claim, 4 Drawing Sheets**



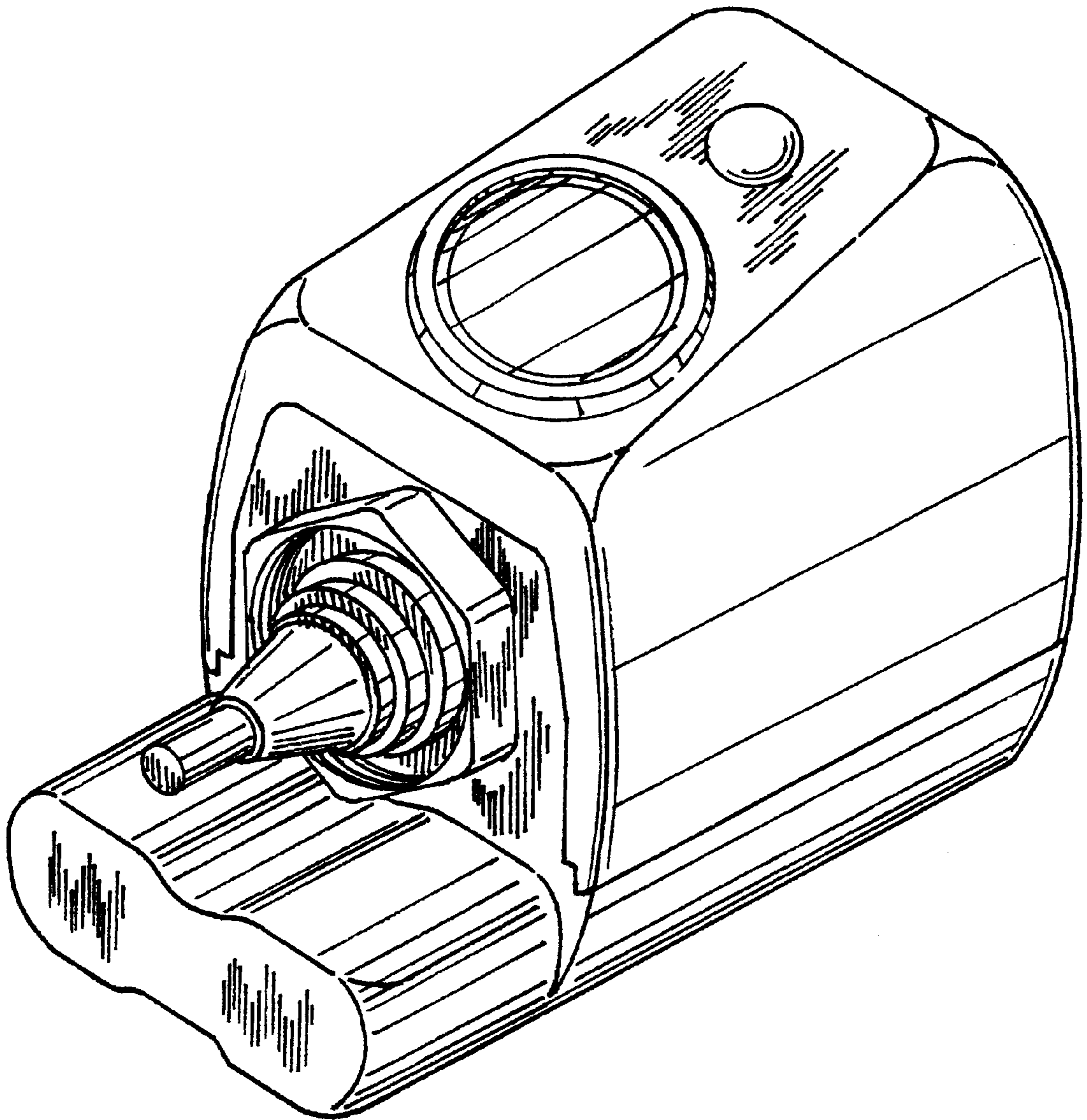


Fig. 1

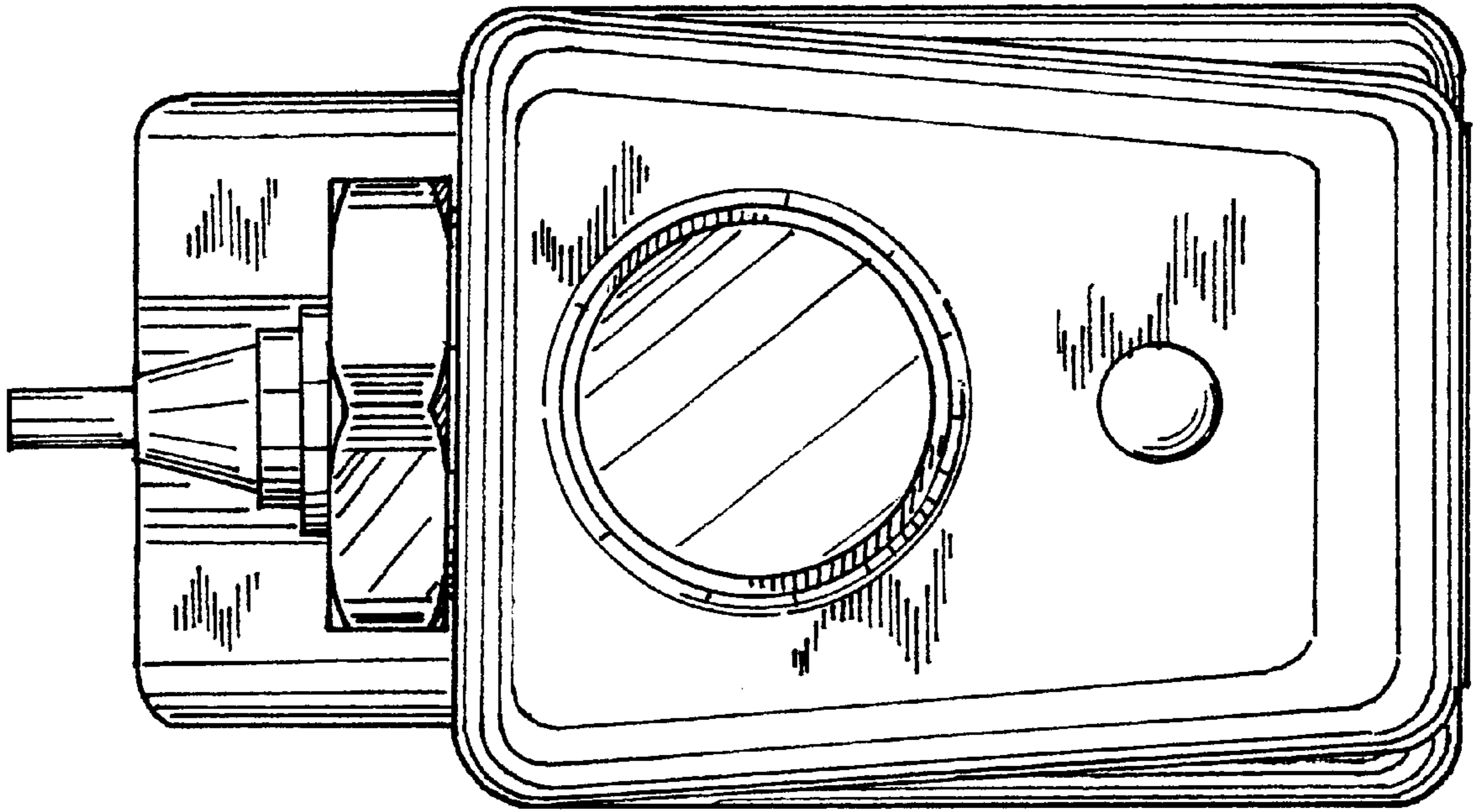


Fig. 2

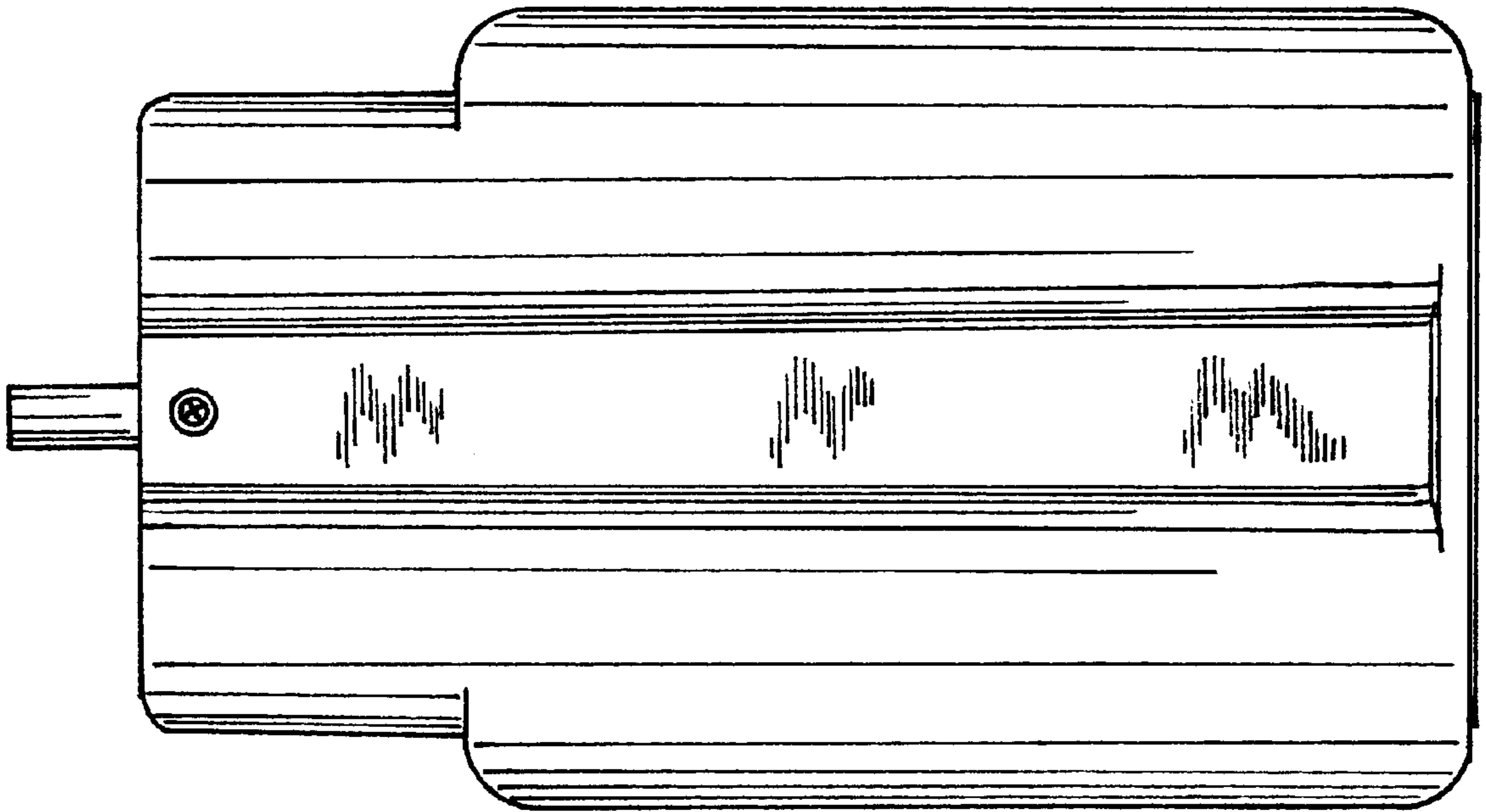


Fig. 3

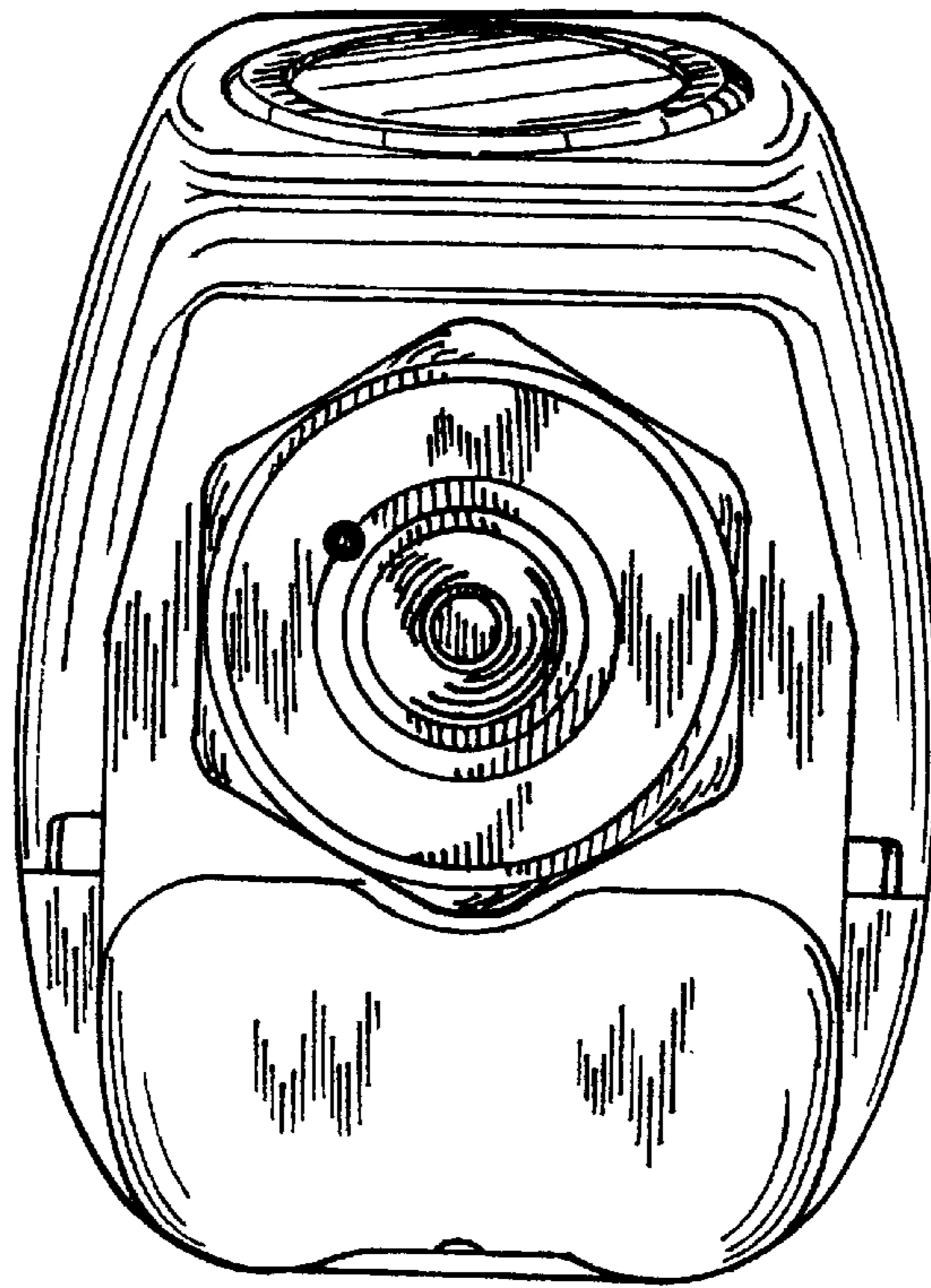


Fig. 5

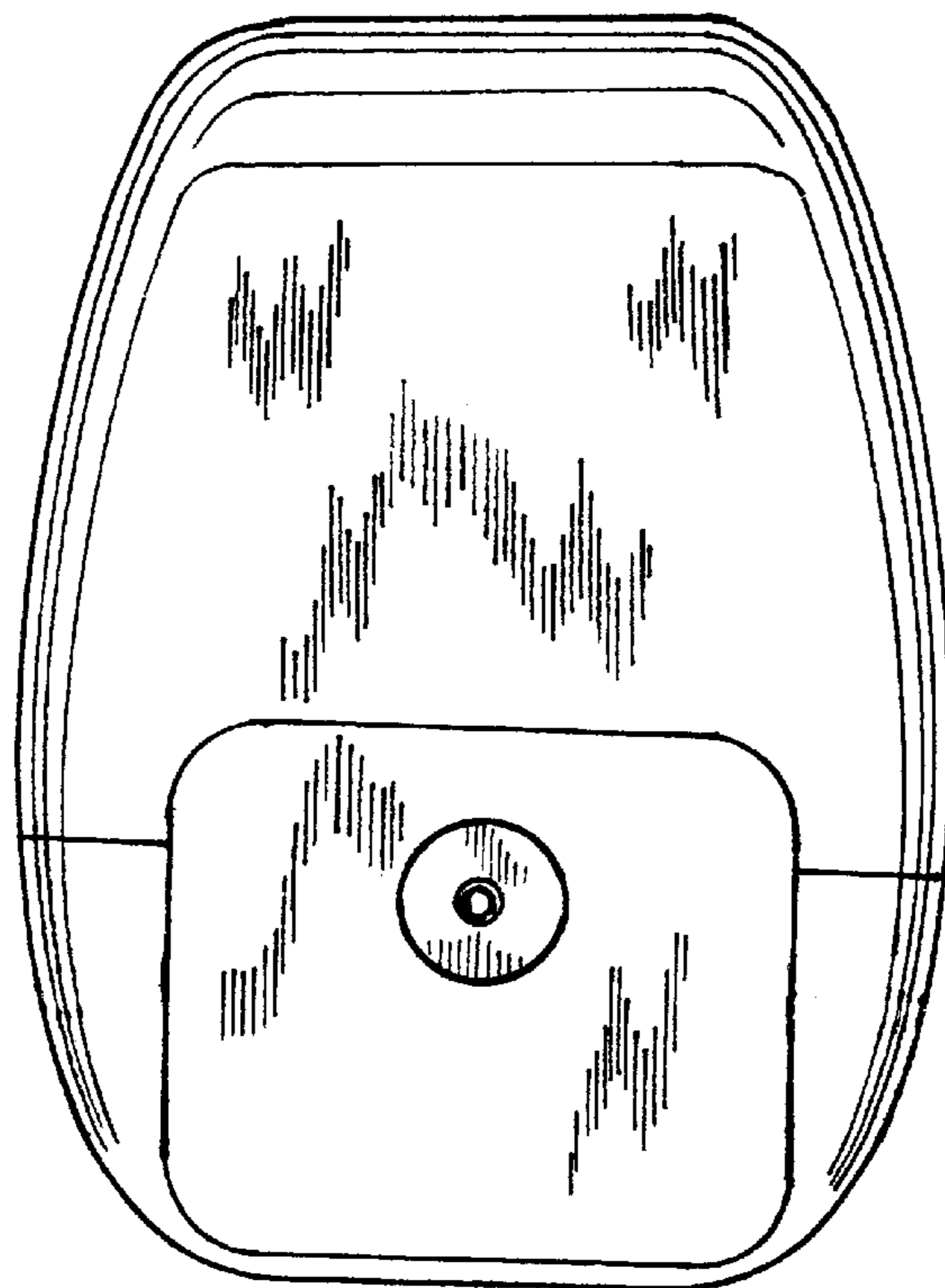


Fig. 4

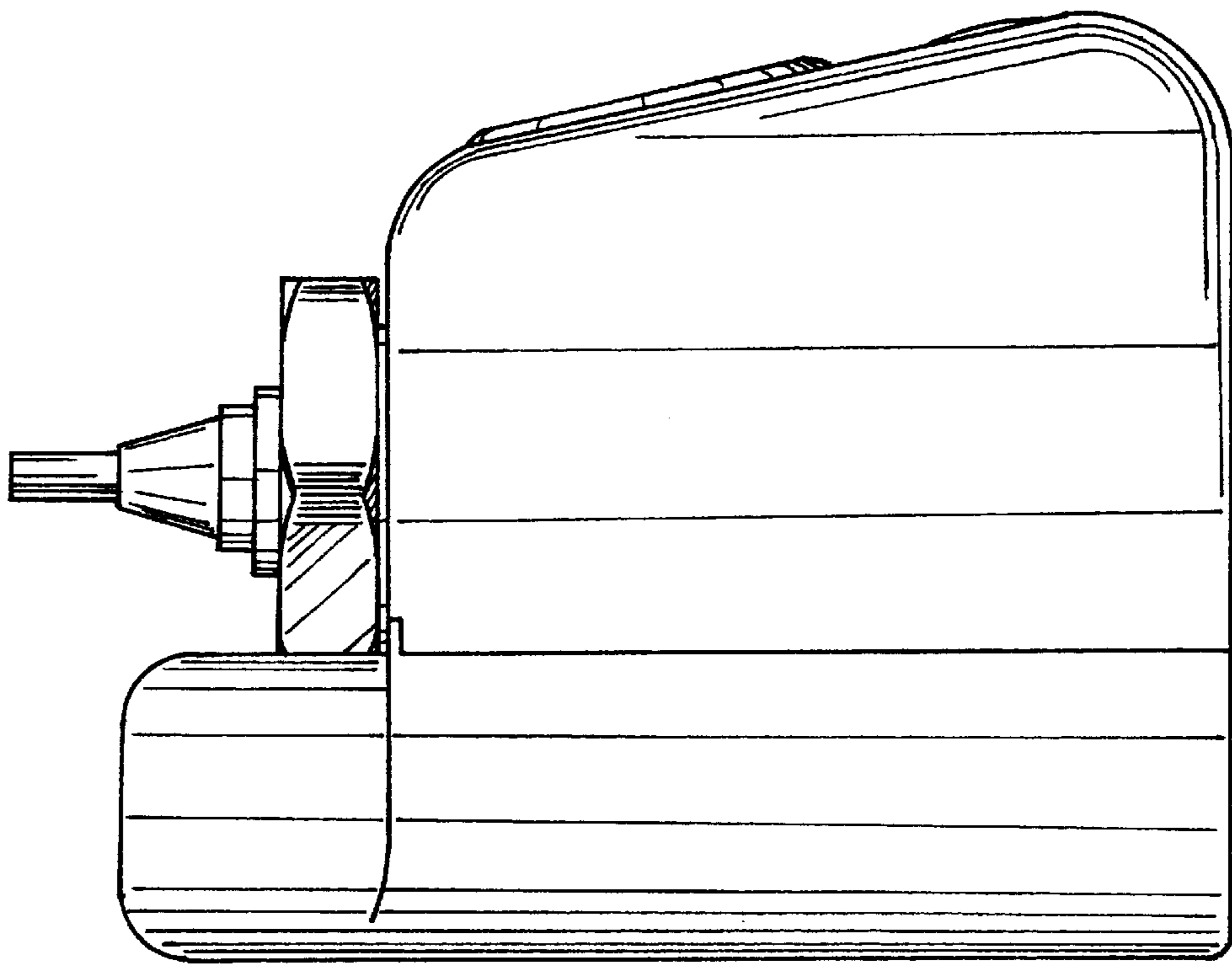


Fig. 6

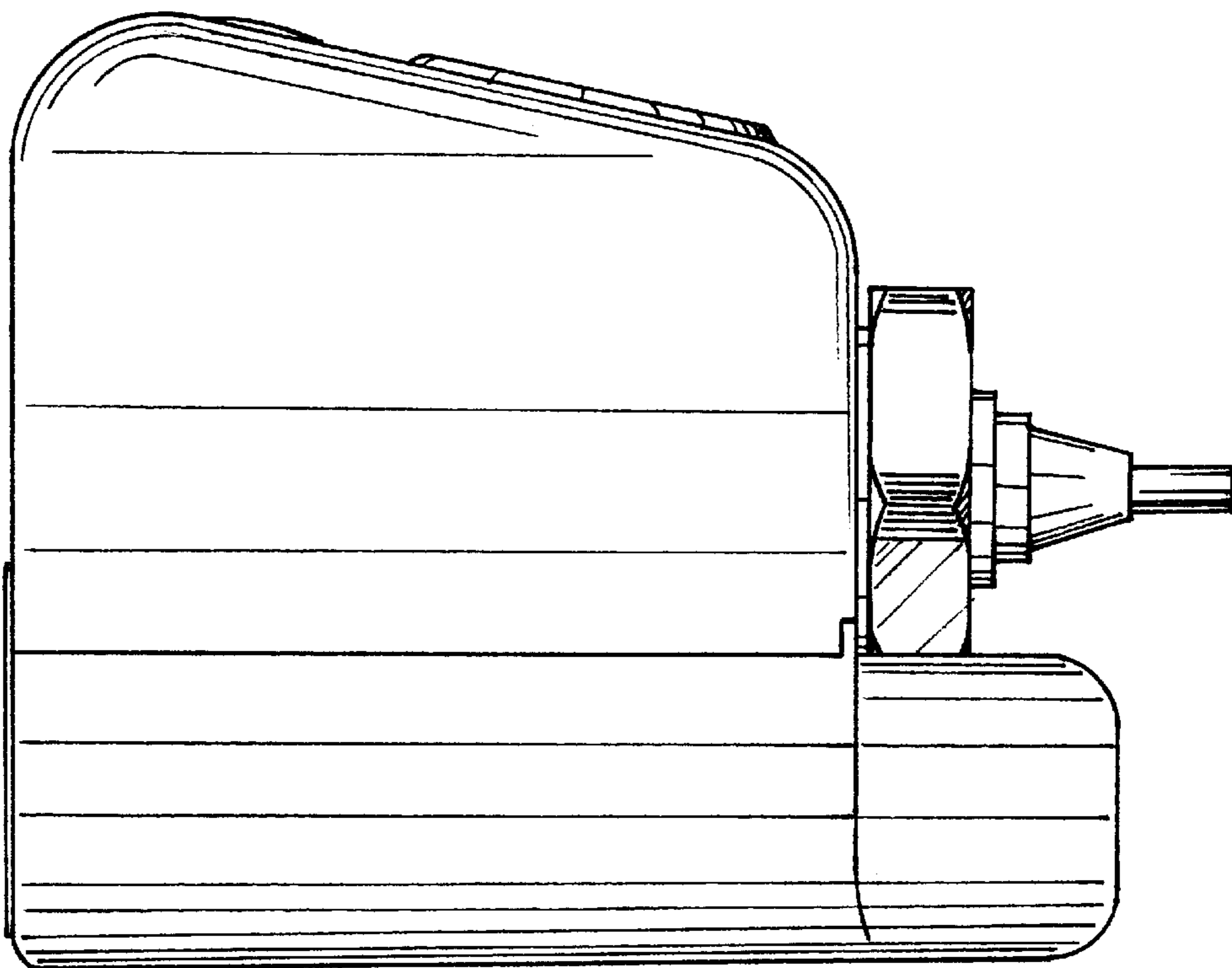


Fig. 7