



US00D480449S

(12) **United States Design Patent**
Kah, Jr. et al.

(10) **Patent No.:** **US D480,449 S**

(45) **Date of Patent:** **** Oct. 7, 2003**

(54) **CONTROL VALVE**

(76) Inventors: **Carl L. C. Kah, Jr.**, 11517 Turtle Beach Rd., Lost Tree, North Palm Beach, FL (US) 33407; **Carl L. C. Kah, III**, 778 Lakeside Dr., North Palm Beach, FL (US) 32408

(**) Term: **14 Years**

(21) Appl. No.: **29/158,790**

(22) Filed: **Apr. 4, 2002**

(51) **LOC (7) Cl.** **23-01**

(52) **U.S. Cl.** **D23/233**

(58) **Field of Search** D23/233, 235, D23/237, 244-249; 137/219, 492, 629.14, 624.18; 251/61.1, 61.4, 335.3, 305, 332; 210/87-88, 98, 104-106, 190, 264

(56) **References Cited**

U.S. PATENT DOCUMENTS

D150,369 S	*	7/1948	Mathews	D23/235
D152,809 S	*	2/1949	MacCauley	D23/235
2,841,359 A	*	7/1958	Berck	137/219 X
D213,104 S	*	1/1969	Towsend	D23/233
D252,516 S	*	7/1979	McGraw	D15/7
4,284,098 A	*	8/1981	Kruschik	137/219
5,271,601 A	*	12/1993	Bonzer et al.	251/61.1
D348,096 S	*	6/1994	Greenwood et al.	D23/245
5,769,387 A	*	6/1998	Perez	251/61.4
5,909,747 A	*	6/1999	Schieber	137/492
D439,311 S	*	3/2001	Martin	D23/233

* cited by examiner

Primary Examiner—Nelson C. Holtje

(74) *Attorney, Agent, or Firm*—Ostrolenk, Faber, Gerb & Soffen, LLP

(57) **CLAIM**

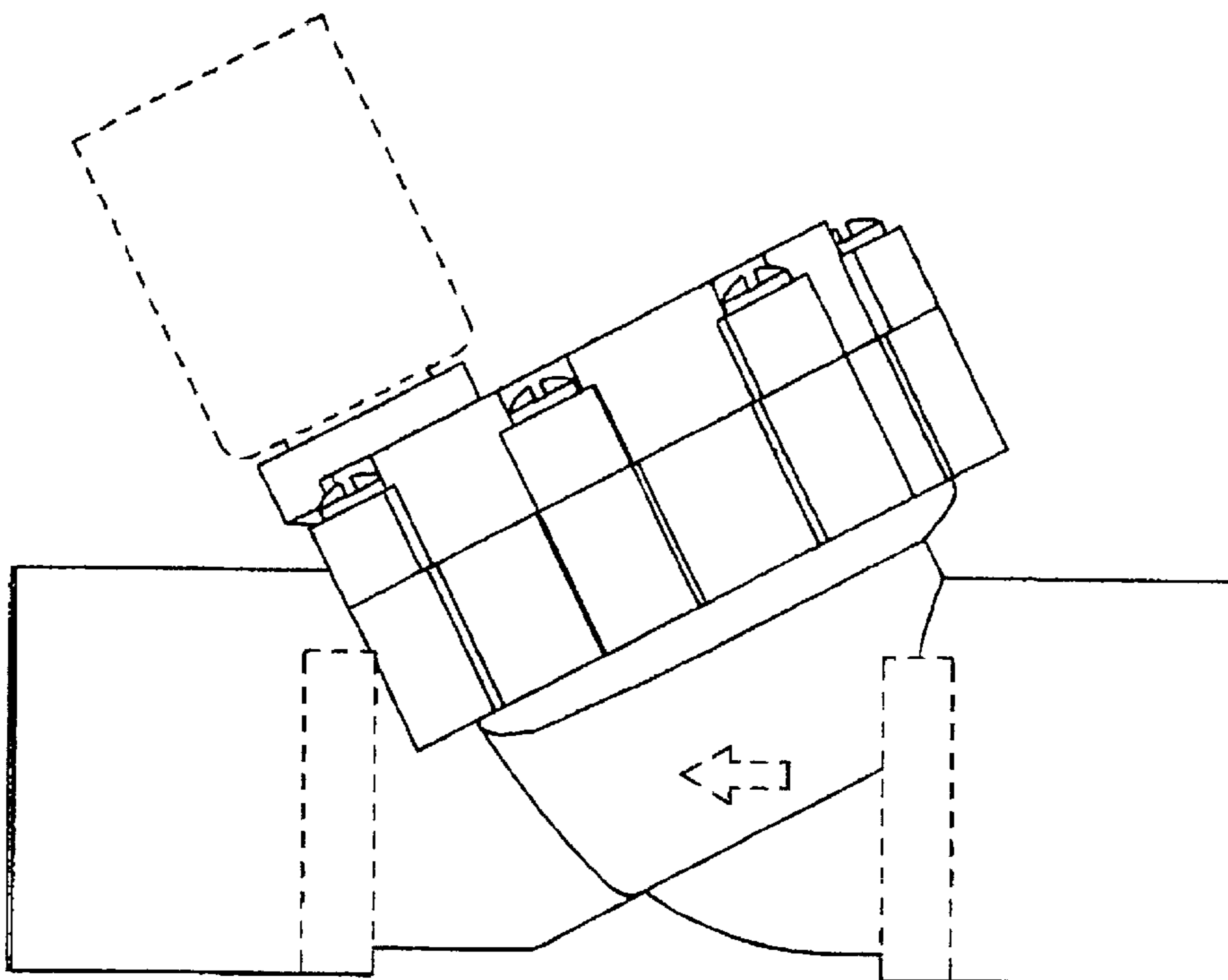
The ornamental design for a control valve, as shown and described.

DESCRIPTION

FIG. 1 is side view of a valve showing our design;
 FIG. 2 is a top plan view thereof;
 FIG. 3 is a bottom plan view thereof;
 FIG. 4 is an end view thereof;
 FIG. 5 is an opposite end view thereof;
 FIG. 6 is a side view of a first alternative embodiment of our design;
 FIG. 7 is a top plan view thereof;
 FIG. 8 is a bottom plan view thereof;
 FIG. 9 is an end view thereof;
 FIG. 10 is an opposite end view thereof;
 FIG. 11 is a side view of a second alternative embodiment of our design;
 FIG. 12 is a top plan view thereof;
 FIG. 13 is an bottom view thereof;
 FIG. 14 is an end view thereof; and,
 FIG. 15 is an opposite end view thereof.

The broken-line showings are environmental and form no part of the claimed design.

1 Claim, 15 Drawing Sheets



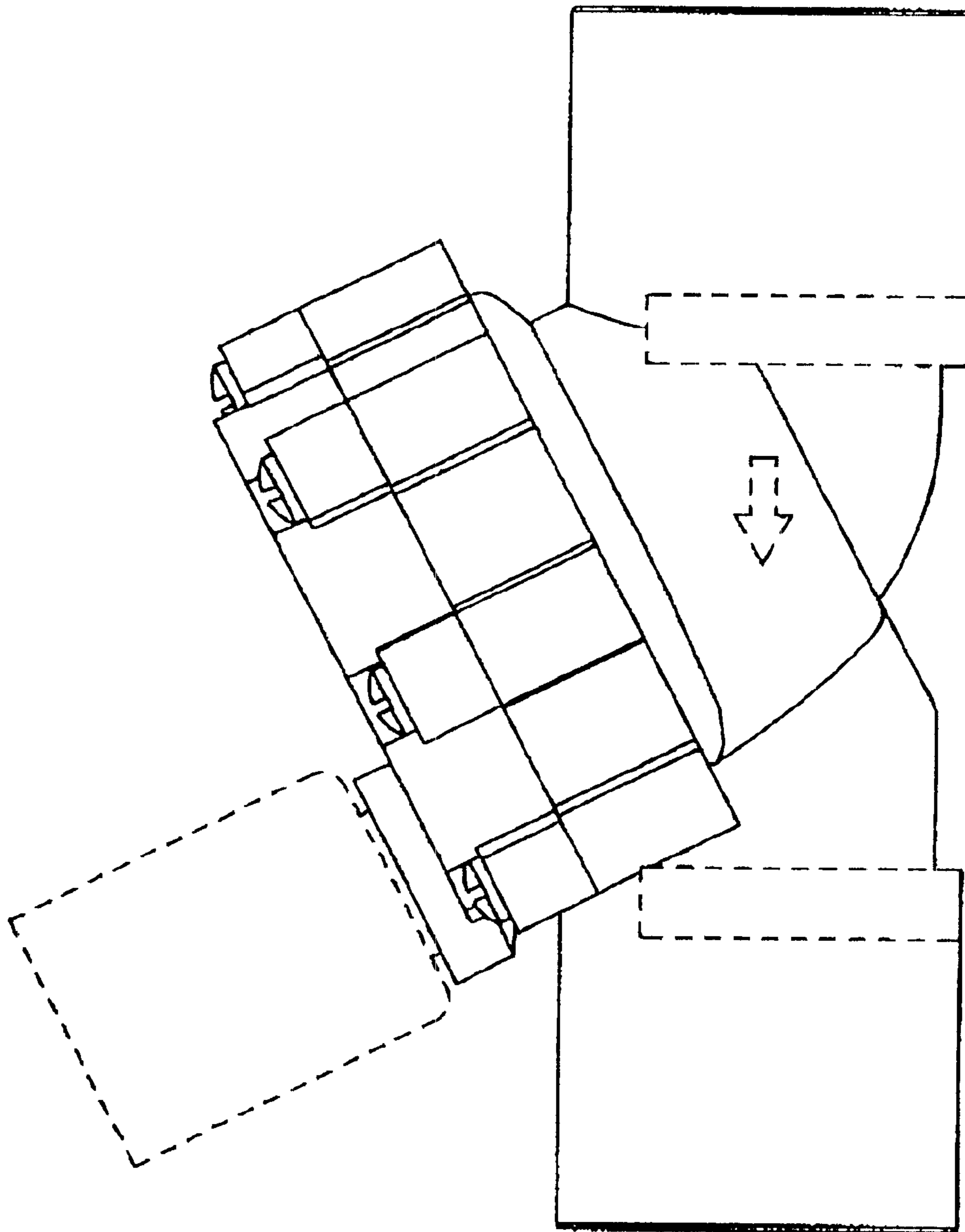


FIG 1

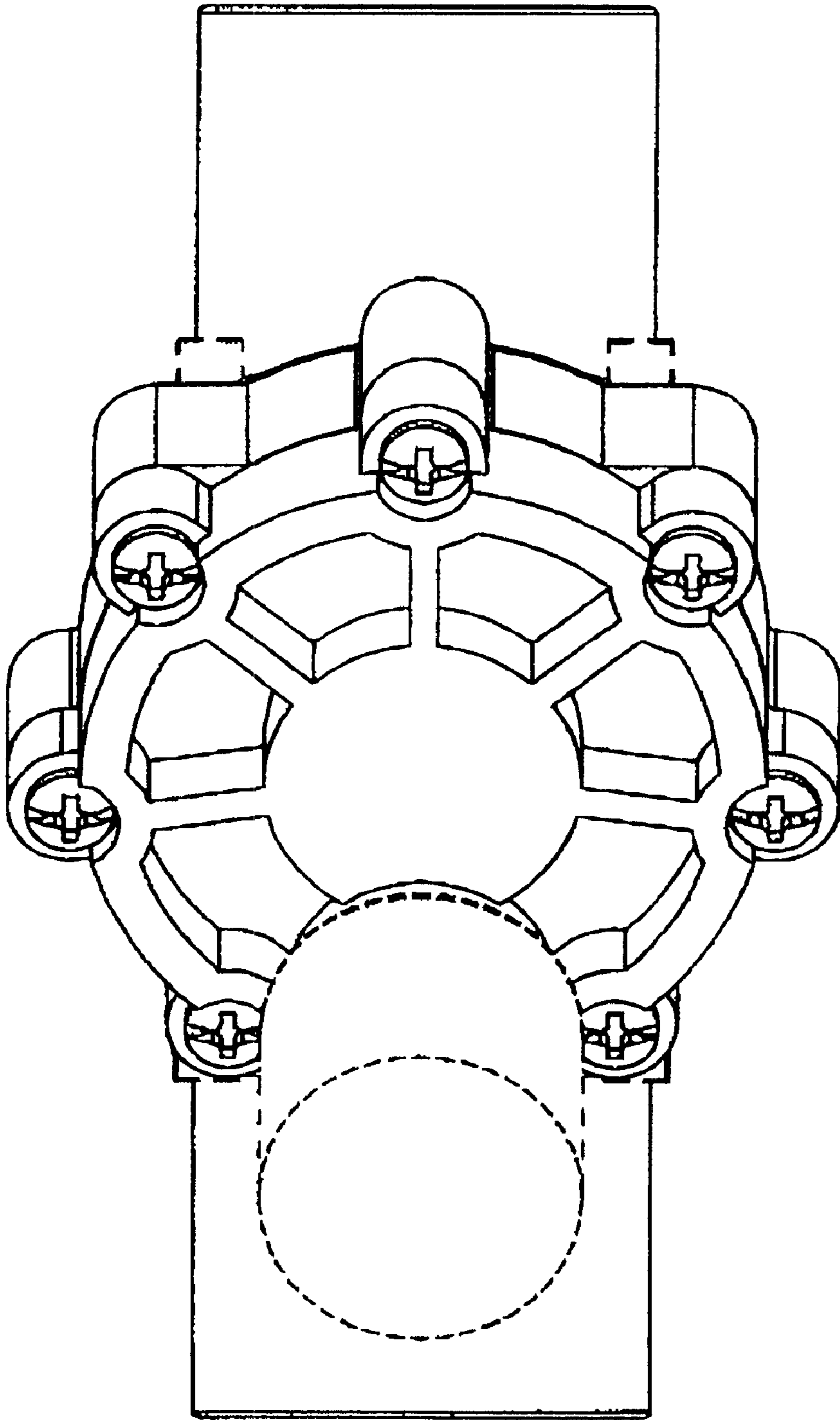


FIG 2

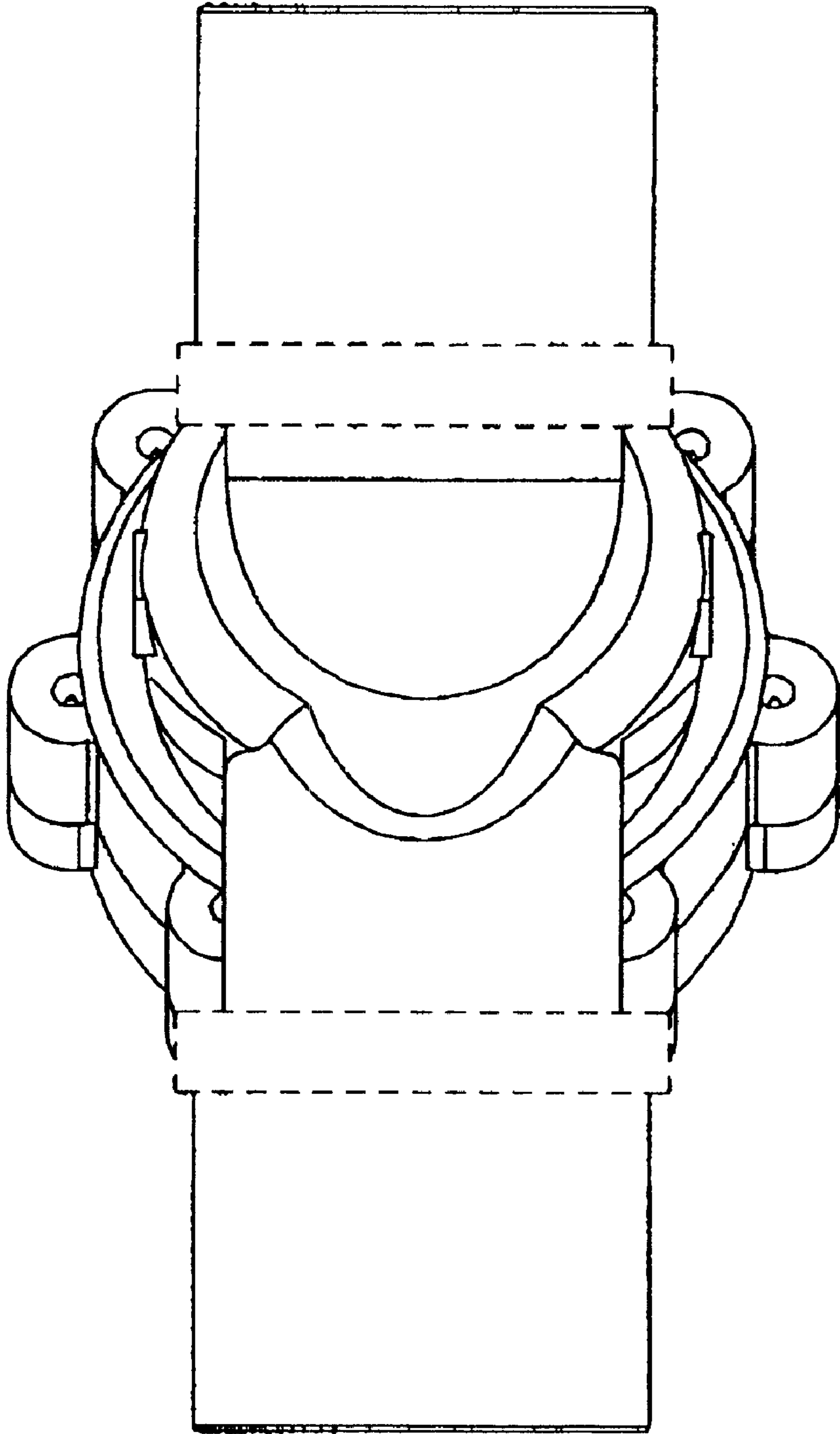


FIG 3

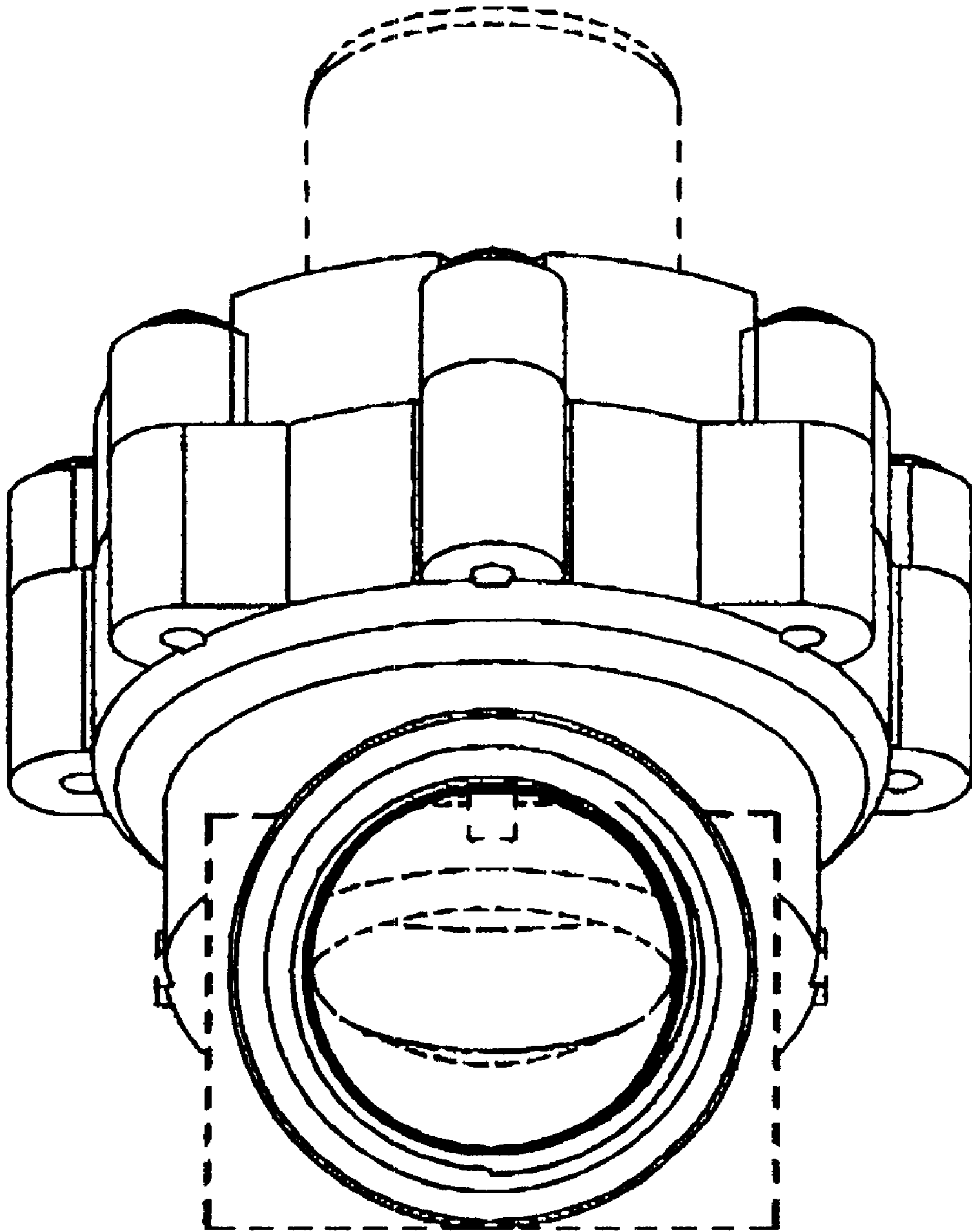


FIG 4

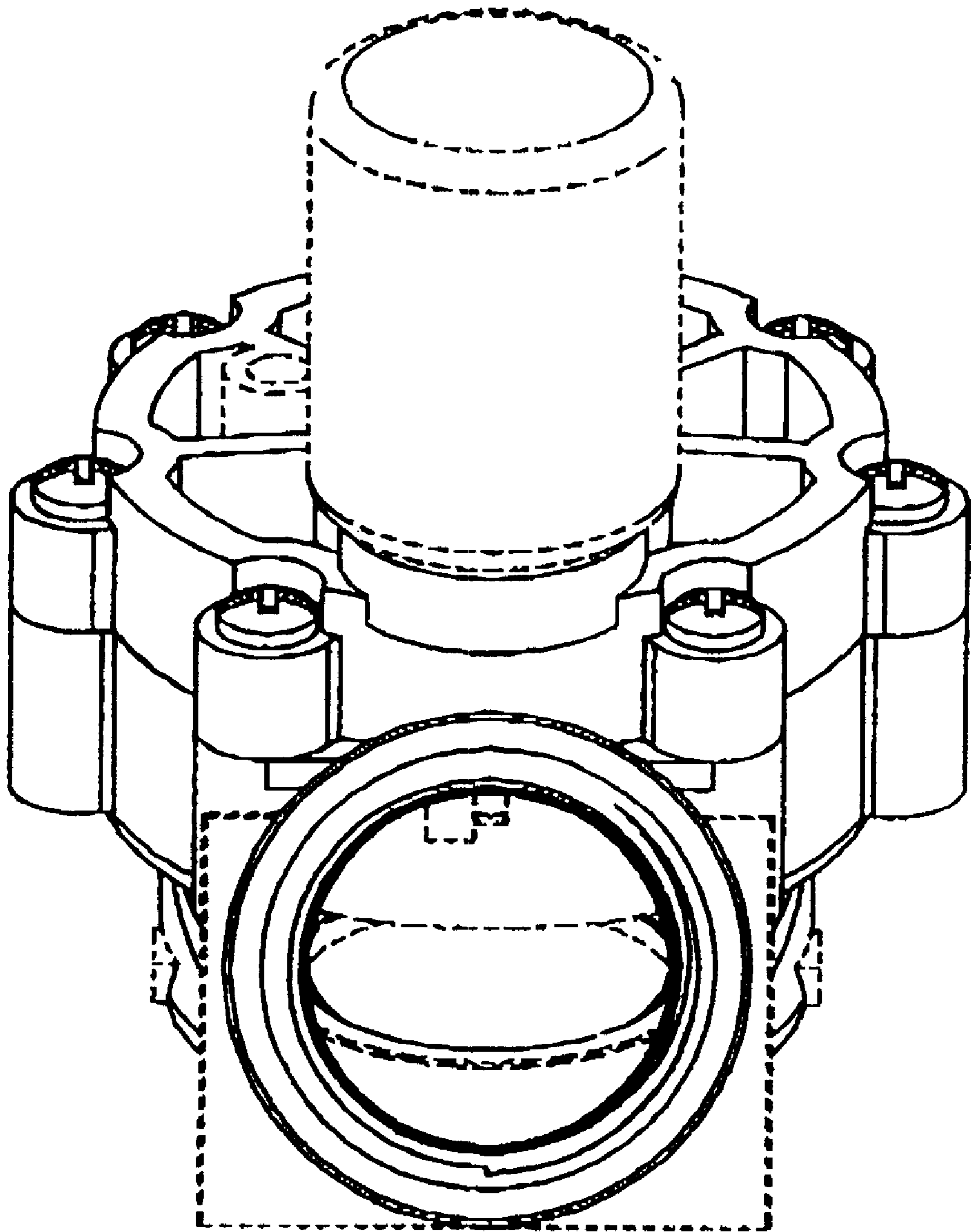


FIG 5

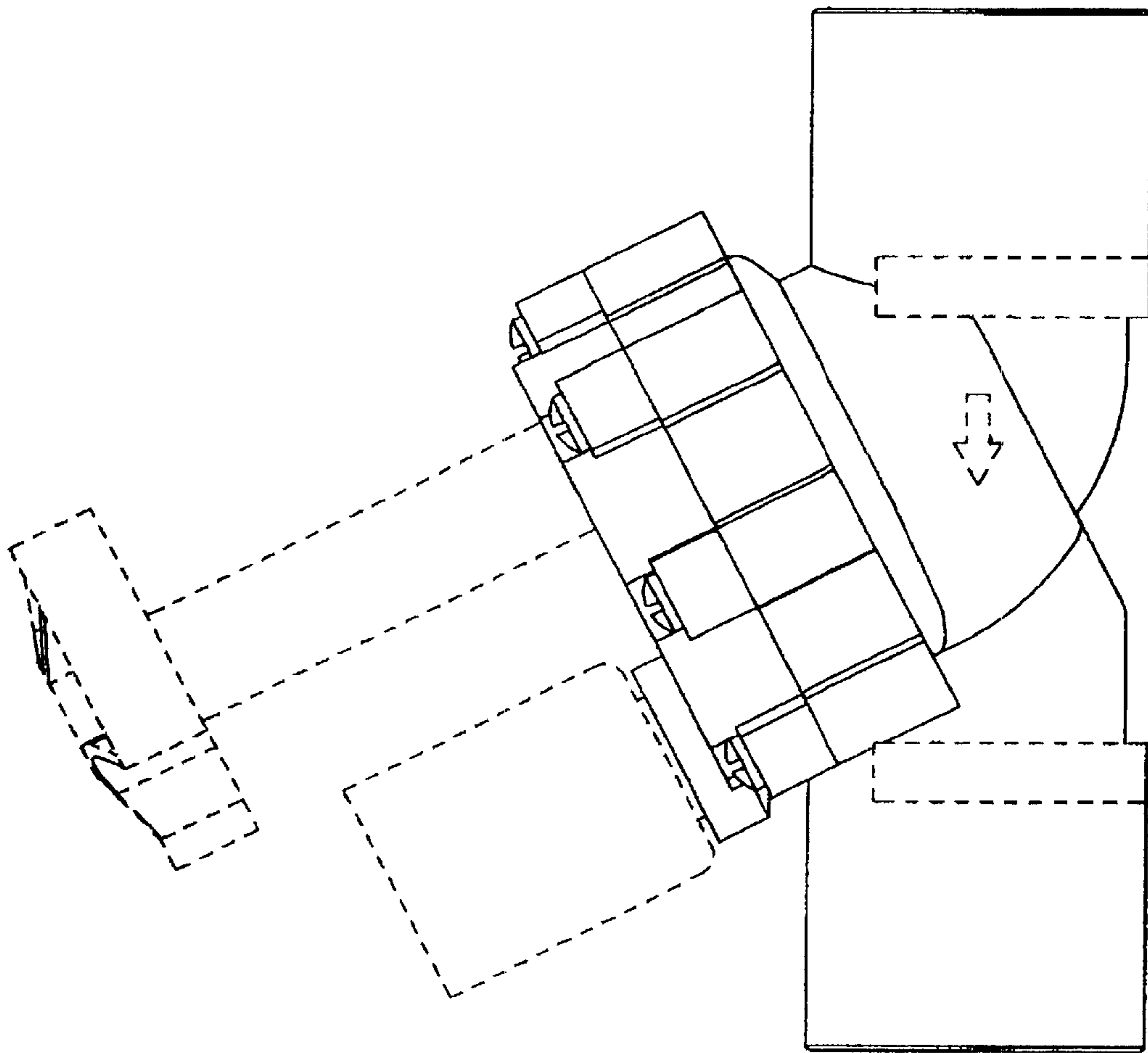


FIG.6

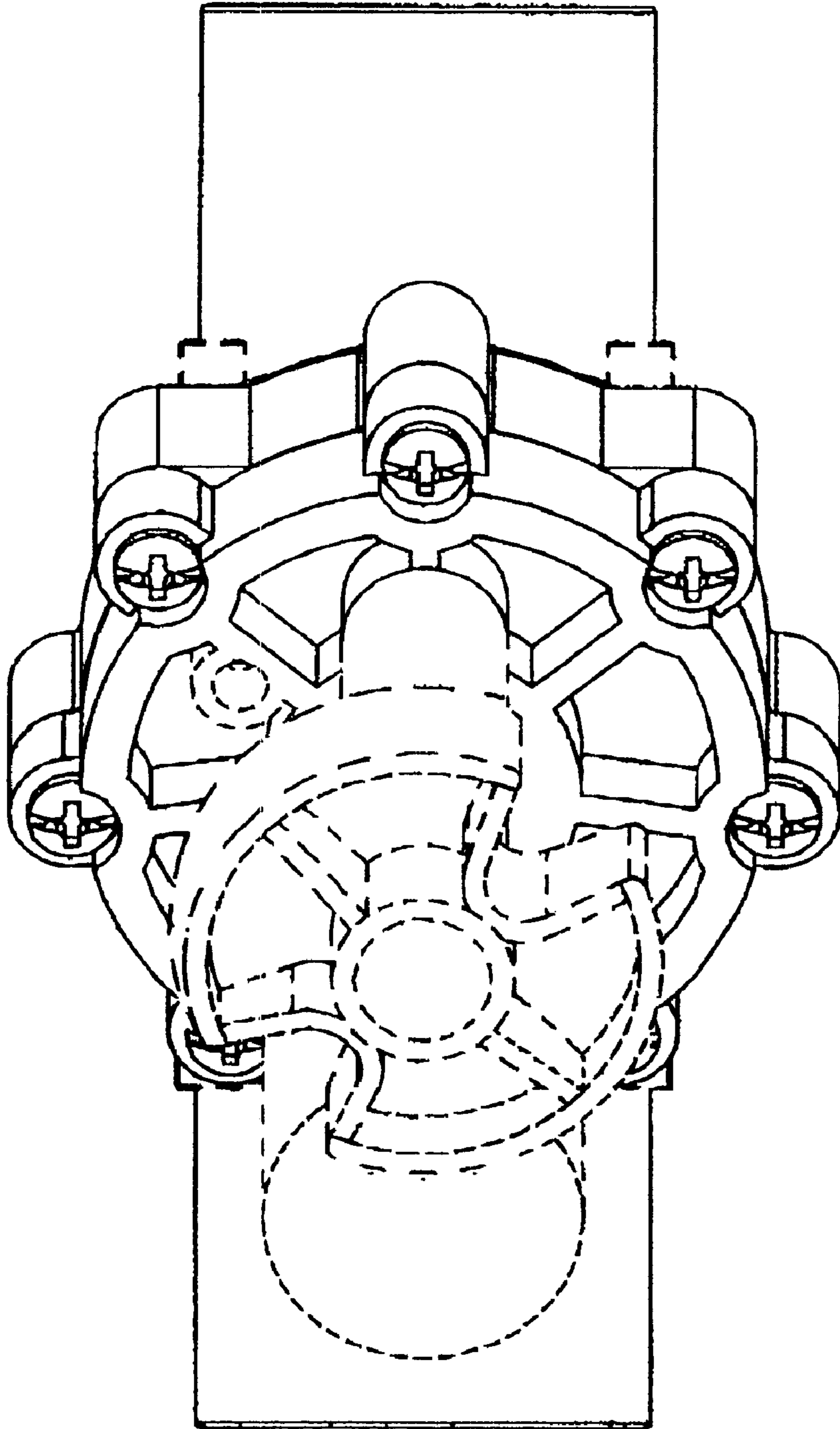


FIG. 7

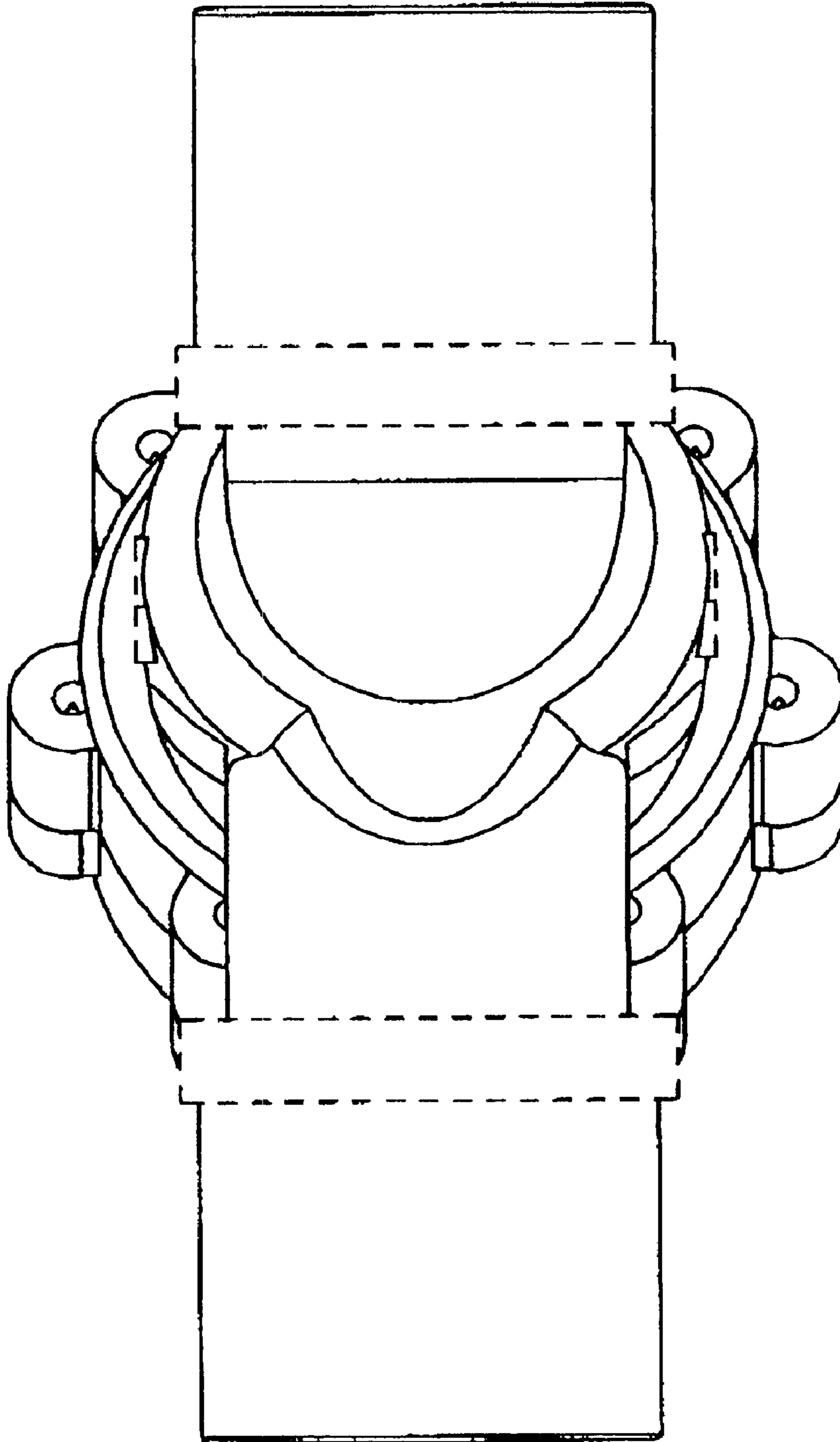


FIG. 8

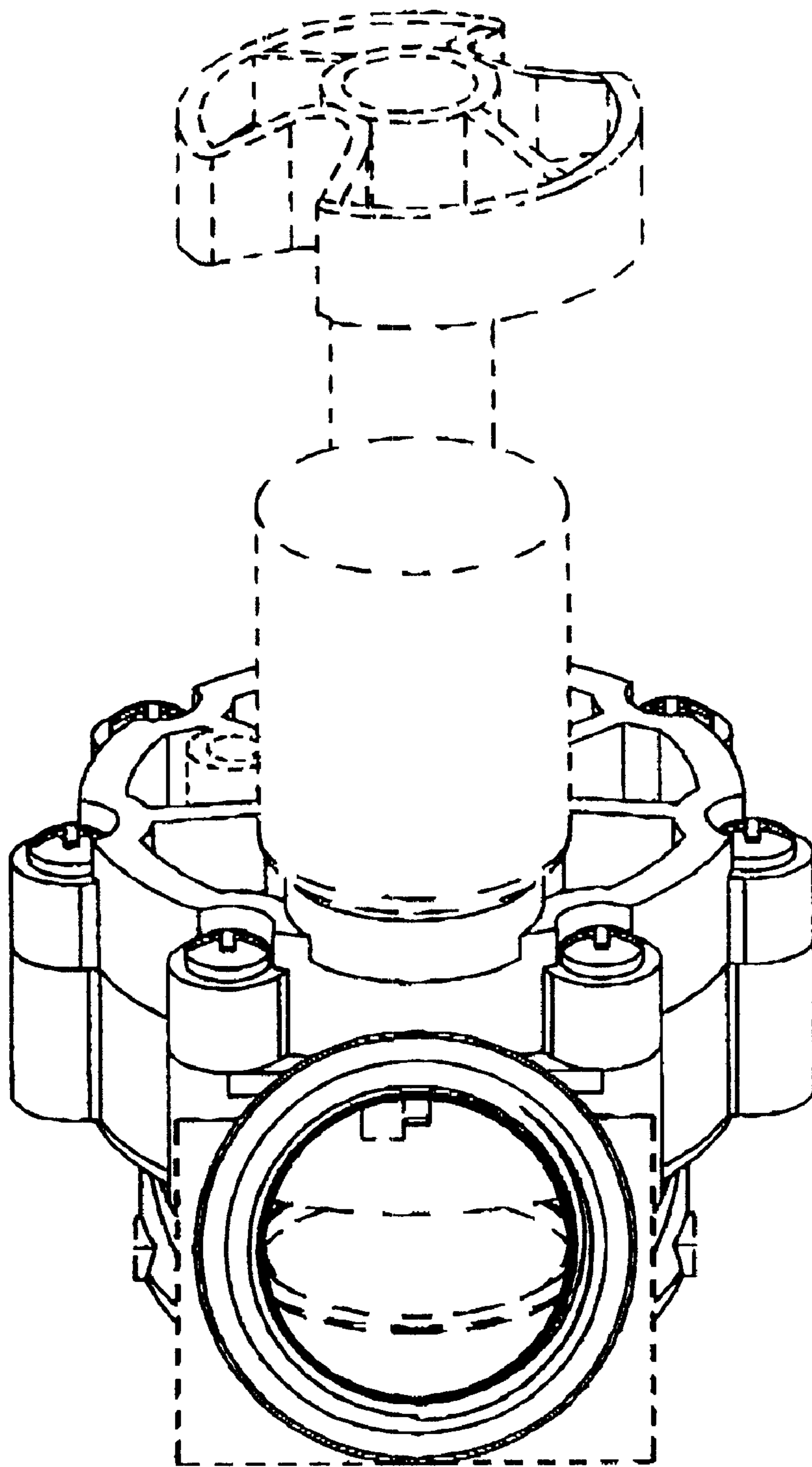


FIG. 9

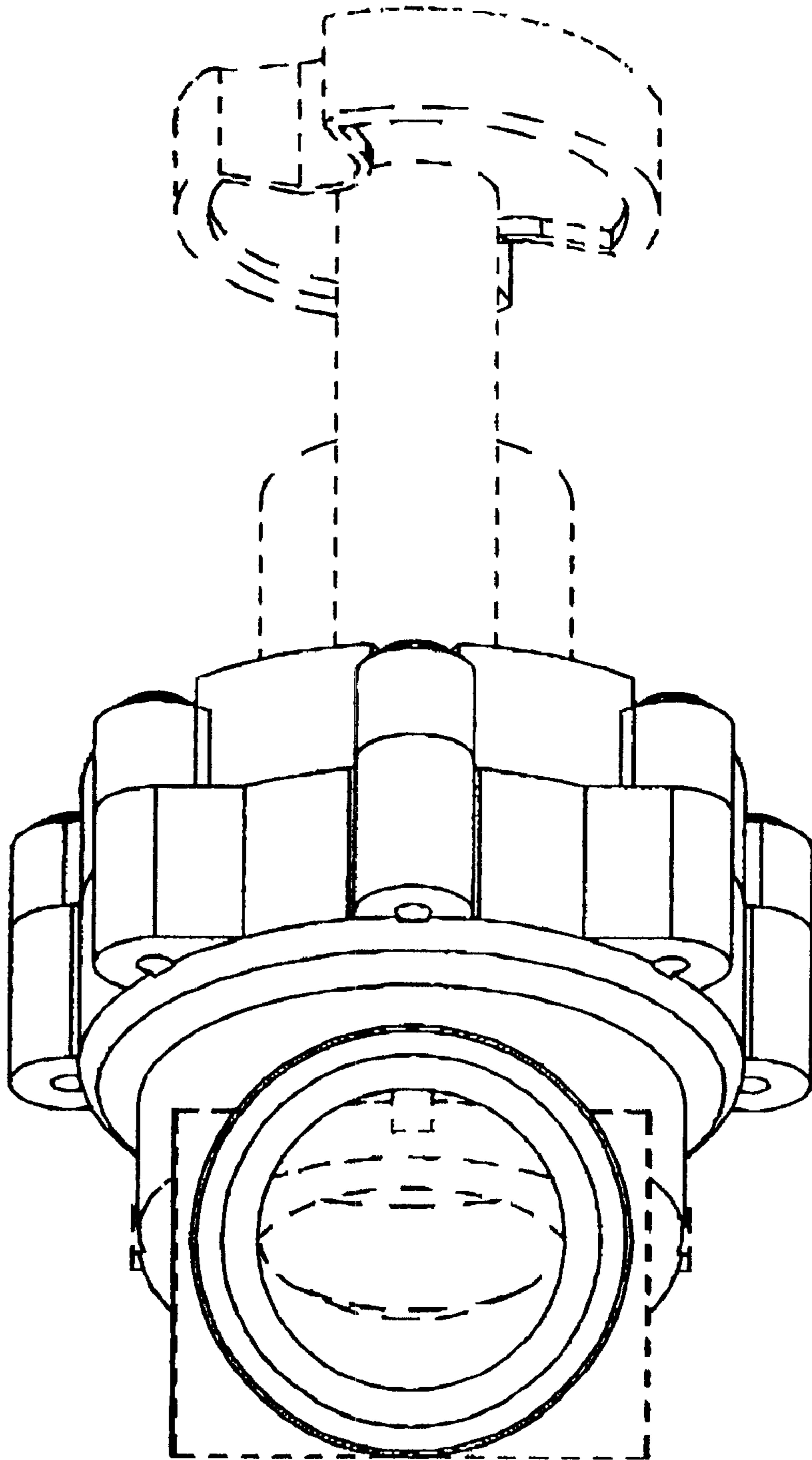


FIG.10

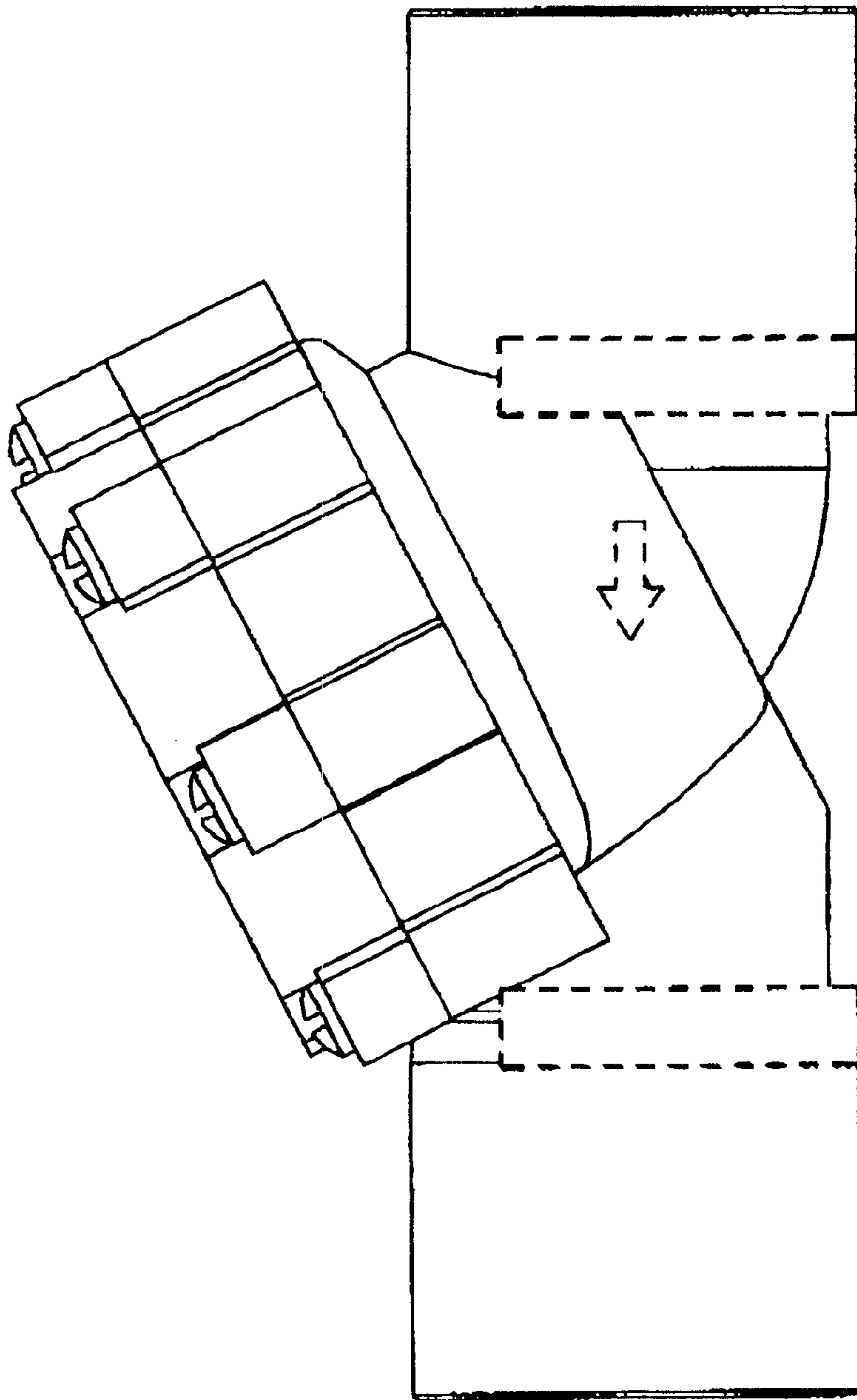


FIG.11

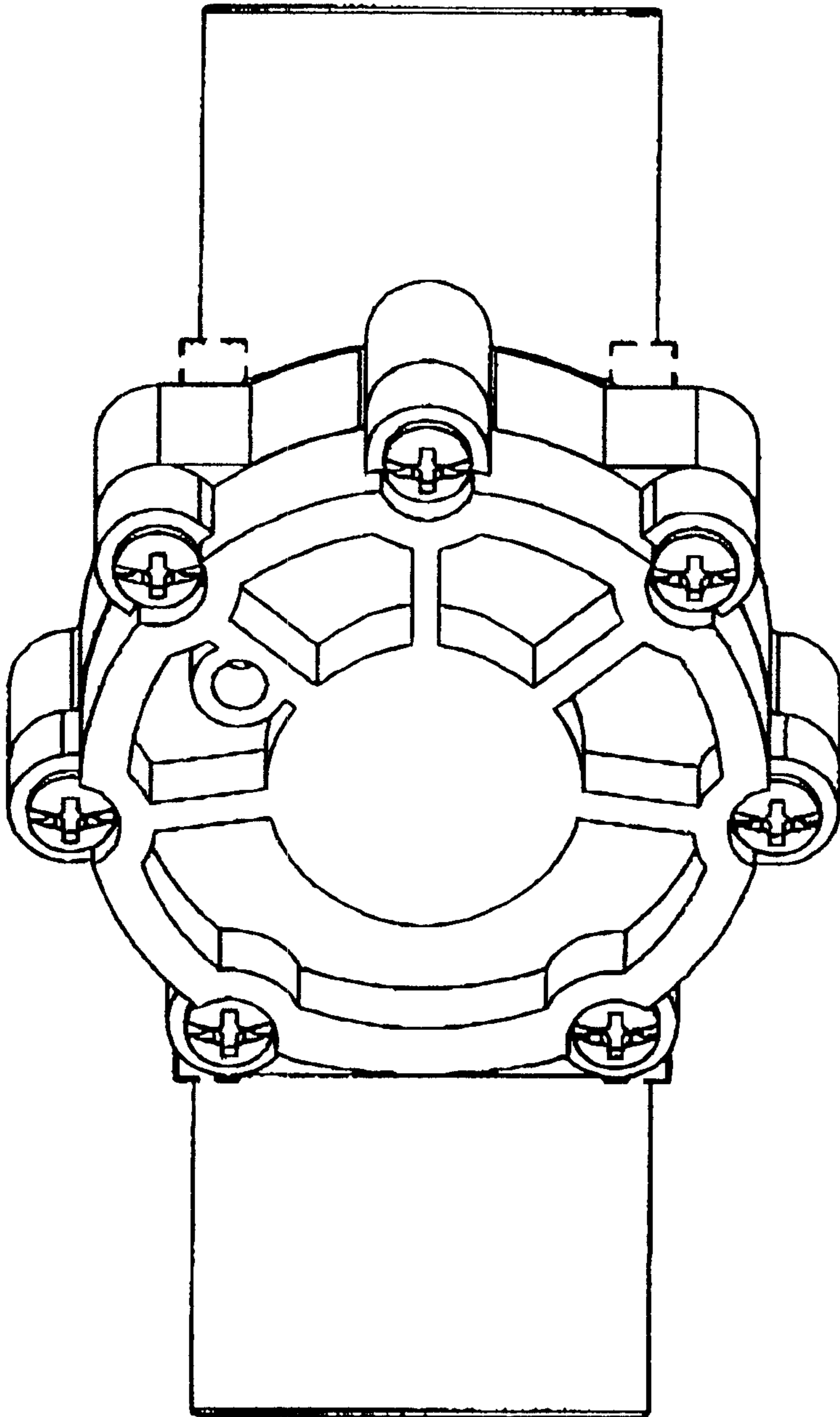


FIG.12

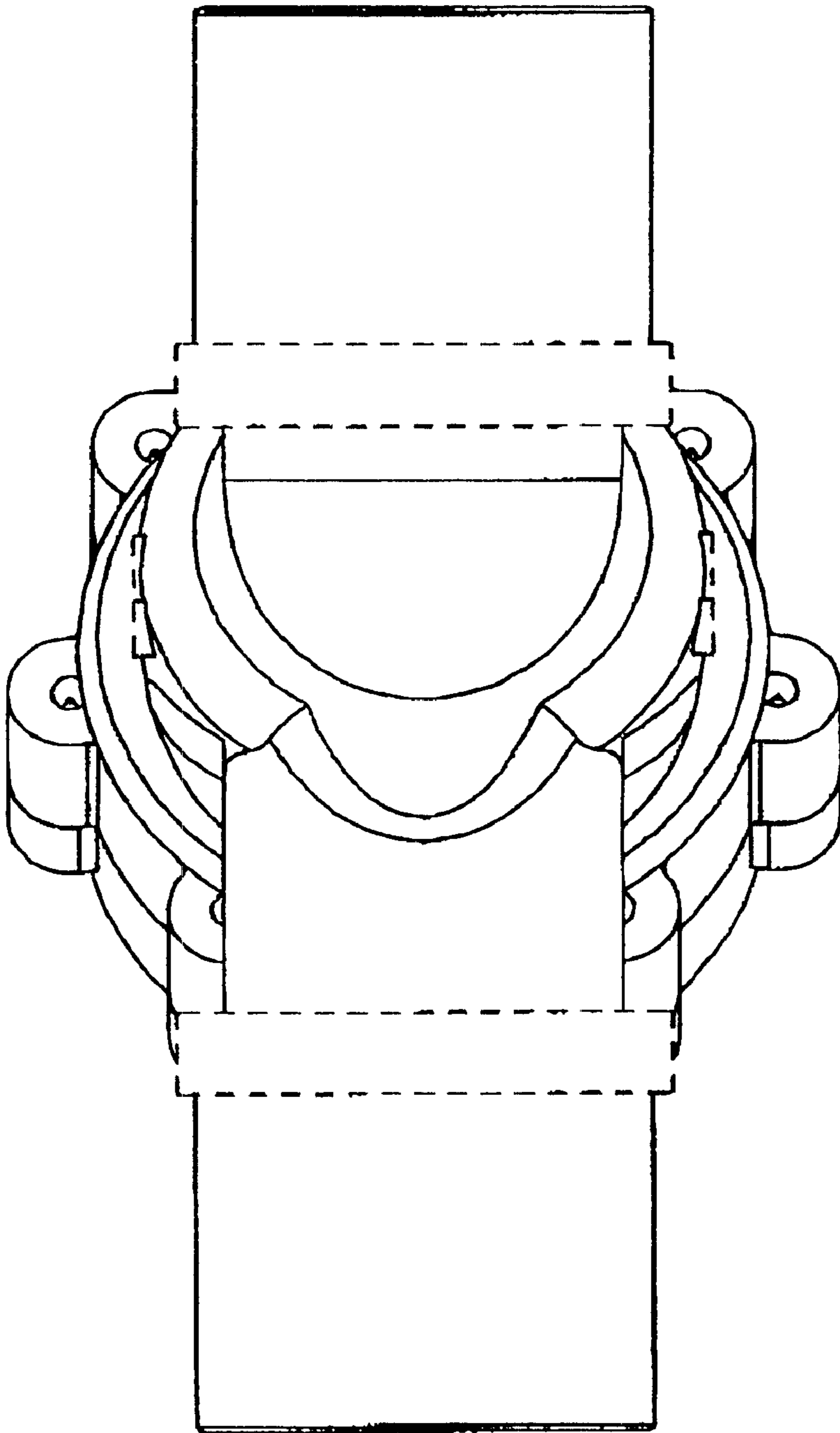


FIG.13

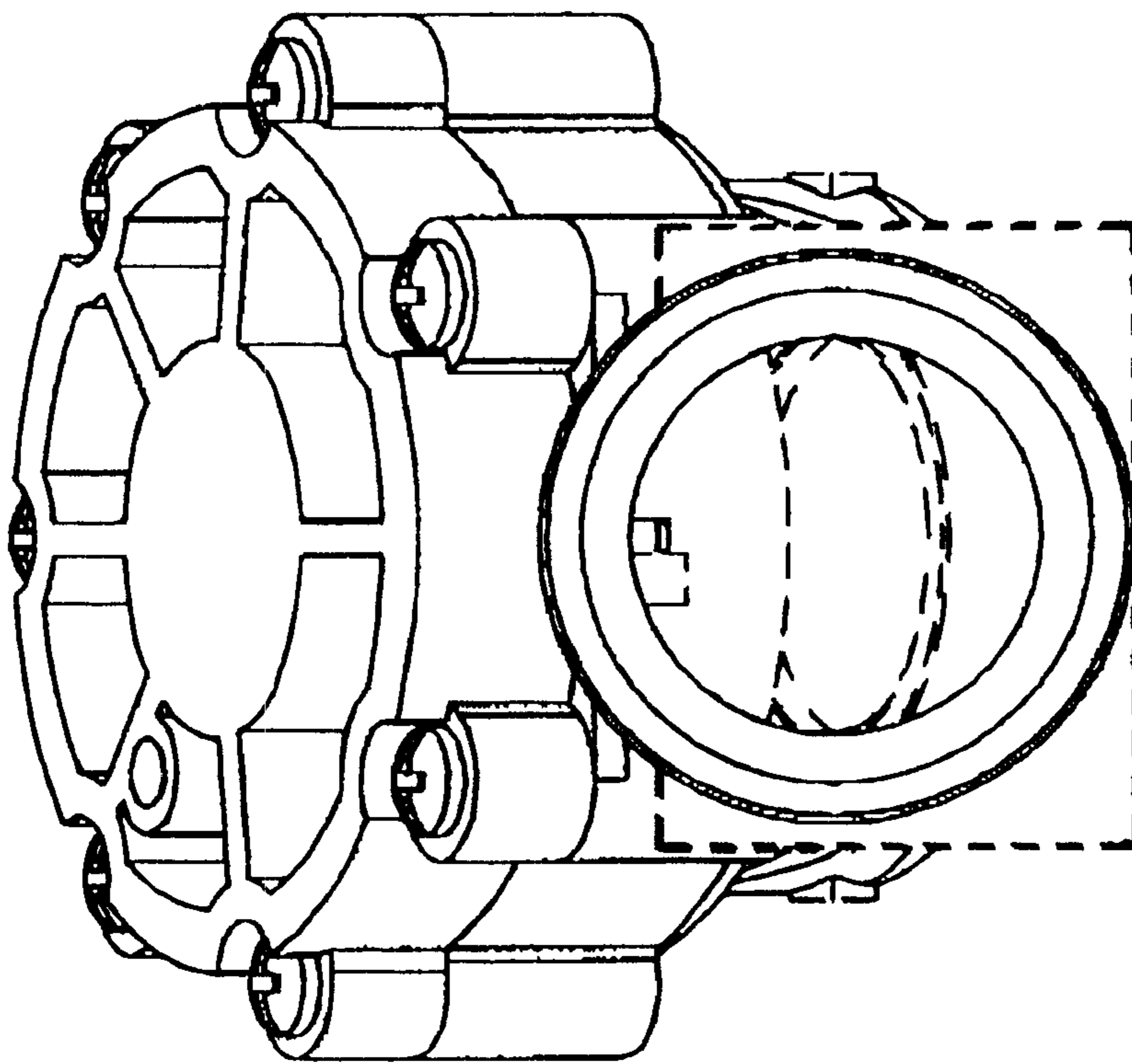


FIG.14

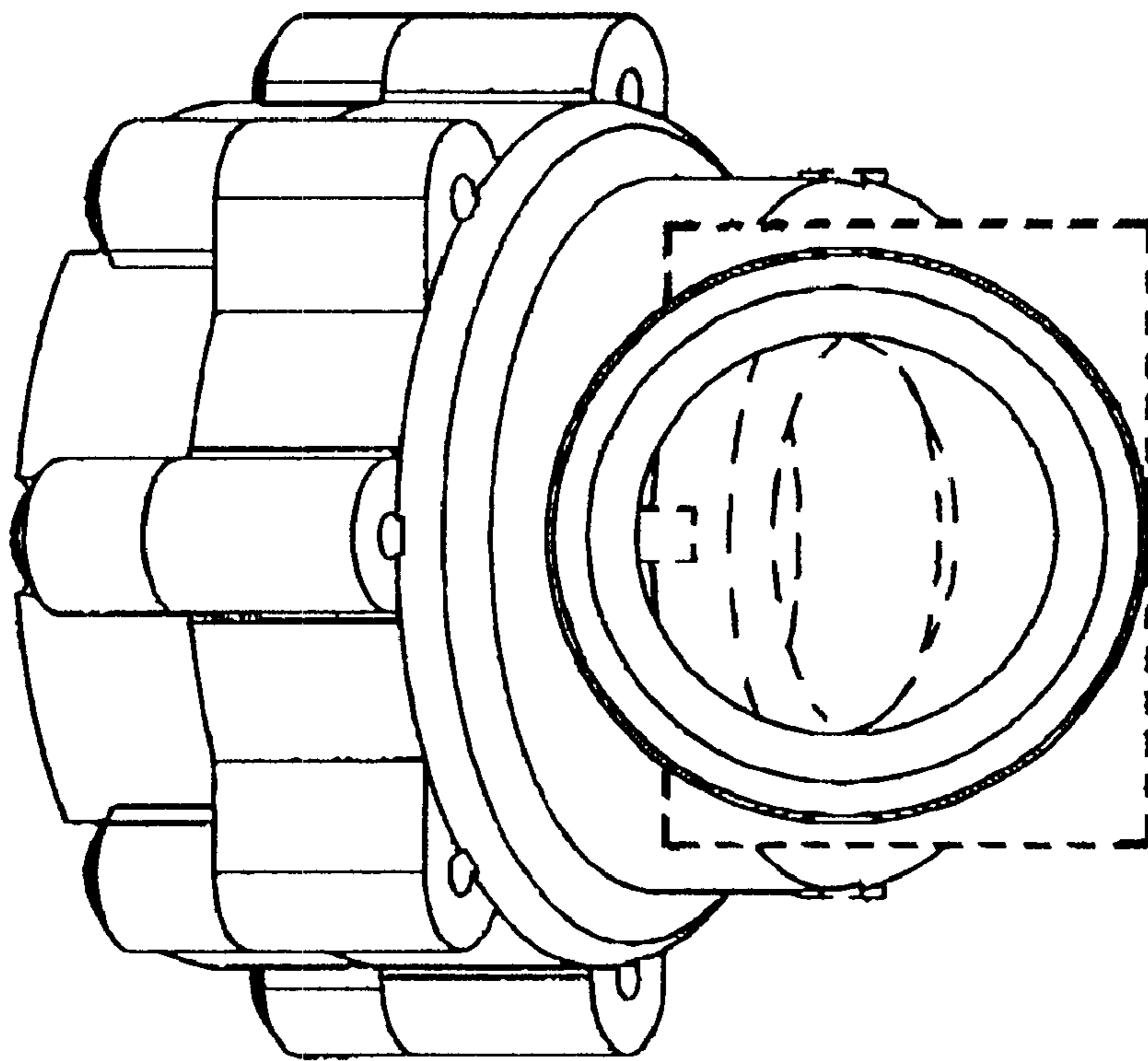


FIG.15