



US00D480448S

(12) **United States Design Patent**
Cook

(10) **Patent No.:** **US D480,448 S**

(45) **Date of Patent:** **** Oct. 7, 2003**

(54) **REVERSE OSMOSIS TROLLEY**

D410,726 S * 6/1999 Cook D23/207
D428,468 S * 7/2000 Dea et al. D23/207

(75) Inventor: **James E. Cook**, Anoka, MN (US)

* cited by examiner

(73) Assignee: **Pure Rinse Systems, Inc.**, Anoka, MN (US)

Primary Examiner—Robin V. Taylor

(74) *Attorney, Agent, or Firm*—Roger W. Jensen

(**) Term: **14 Years**

(57) **CLAIM**

(21) Appl. No.: **29/172,411**

The ornamental design for a reverse osmosis trolley, as shown.

(22) Filed: **Dec. 11, 2002**

(51) **LOC (7) Cl.** **23-01**

(52) **U.S. Cl.** **D23/207**

(58) **Field of Search** D23/200, 207,
D23/209; 210/241, 257.2, 259

DESCRIPTION

FIG. 1 is a right side view of a reverse osmosis trolley showing my new design;

FIG. 2 is a top view thereof;

FIG. 3 is a bottom view thereof;

FIG. 4 is a left side view thereof;

FIG. 5 is a front side view thereof; and,

FIG. 6 is a back side view thereof.

(56) **References Cited**

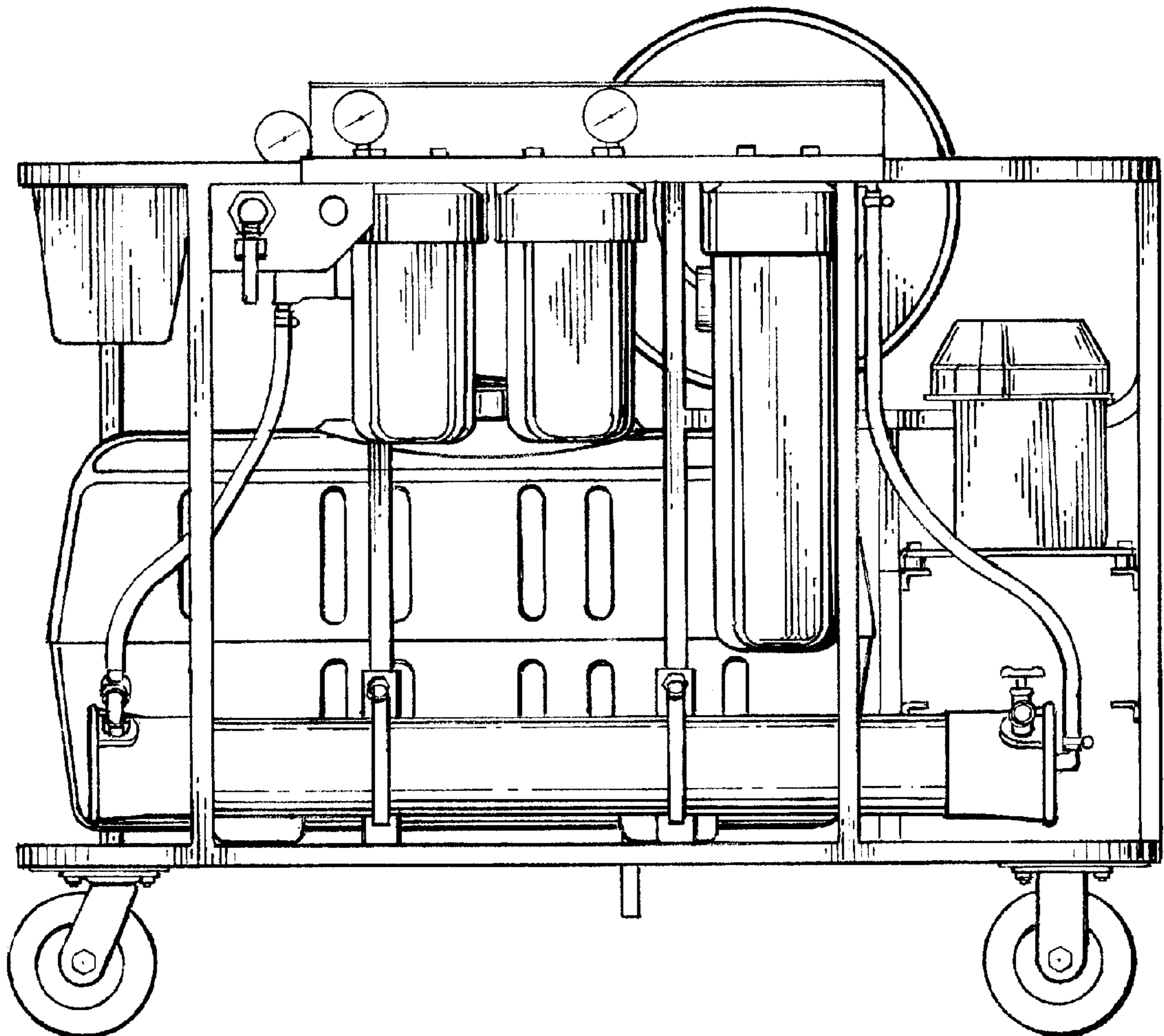
U.S. PATENT DOCUMENTS

5,034,125 A * 7/1991 Karbachsch et al. 210/321.8

D352,090 S * 11/1994 Dea et al. D23/207

D370,050 S * 5/1996 Dea et al. D23/207

1 Claim, 3 Drawing Sheets



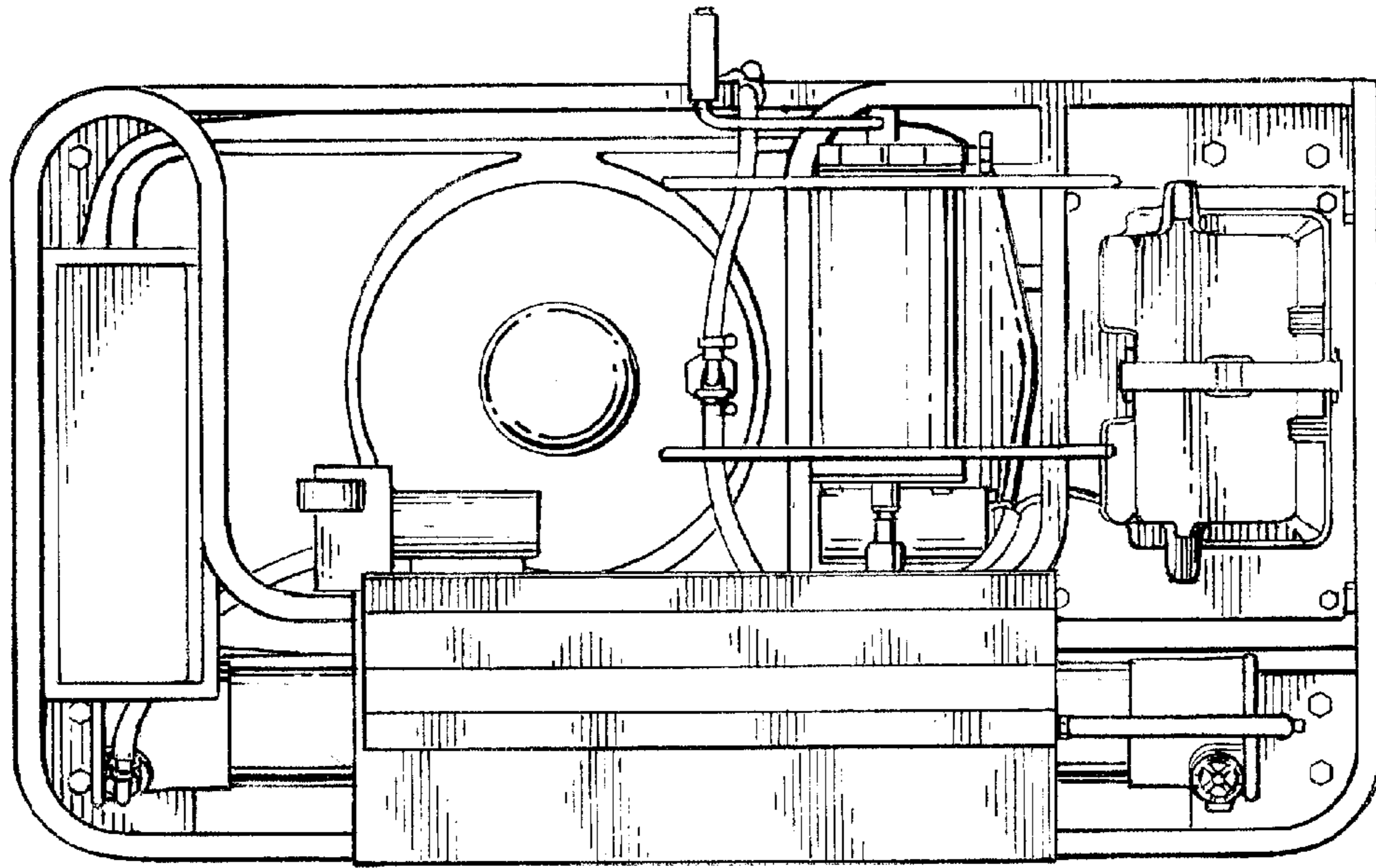


FIG. 2

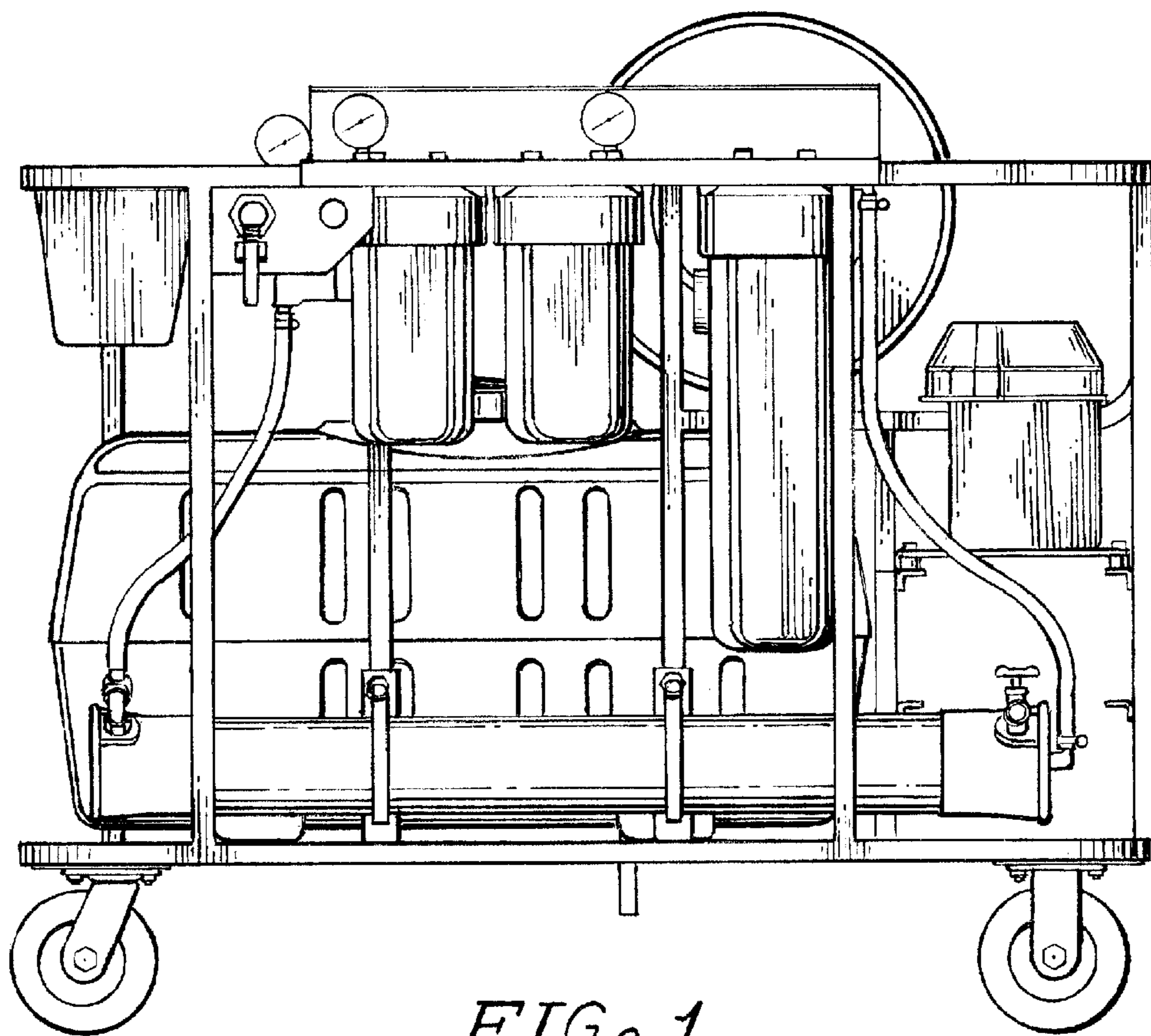


FIG. 1

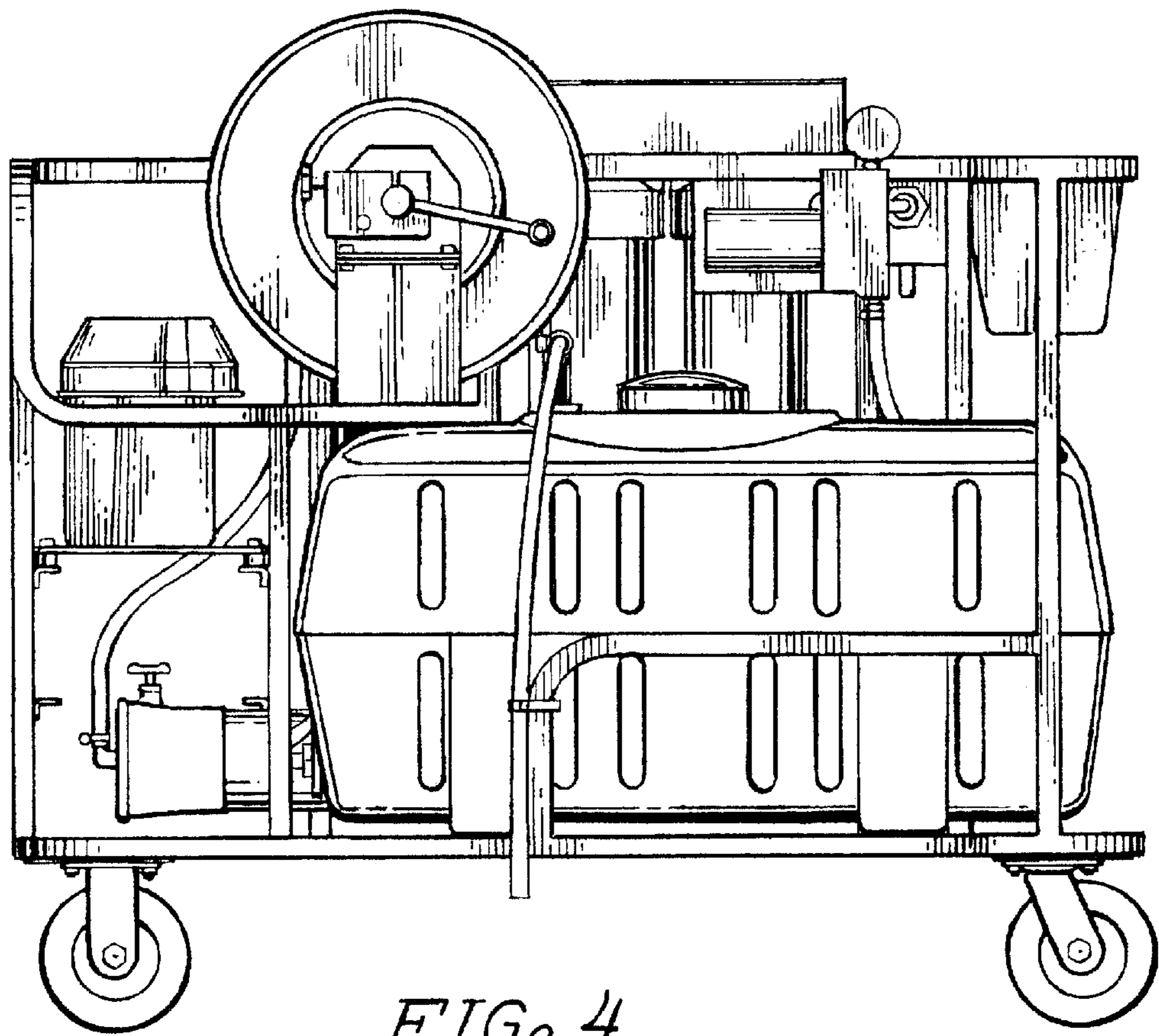


FIG. 4

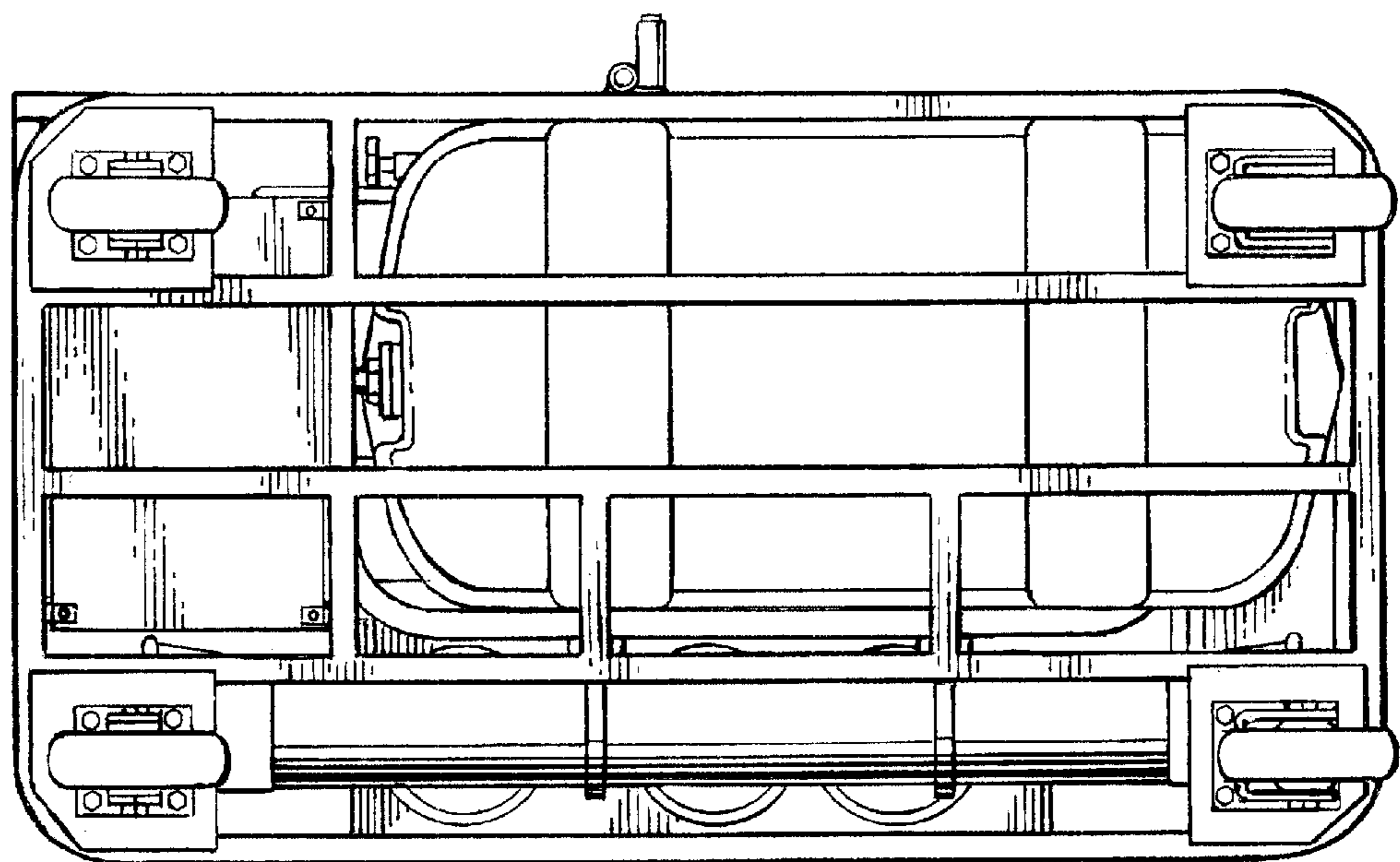


FIG. 3

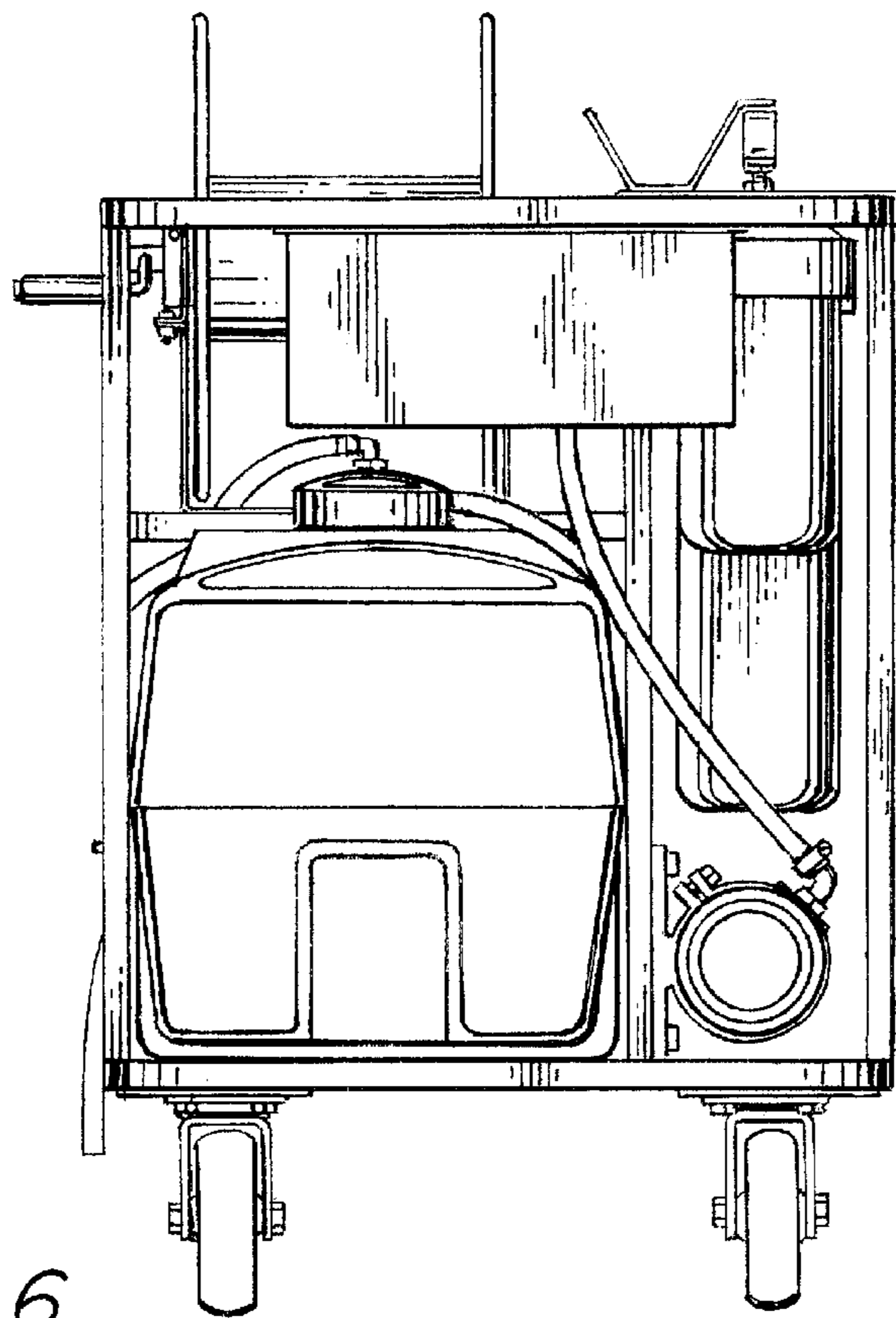


FIG. 6

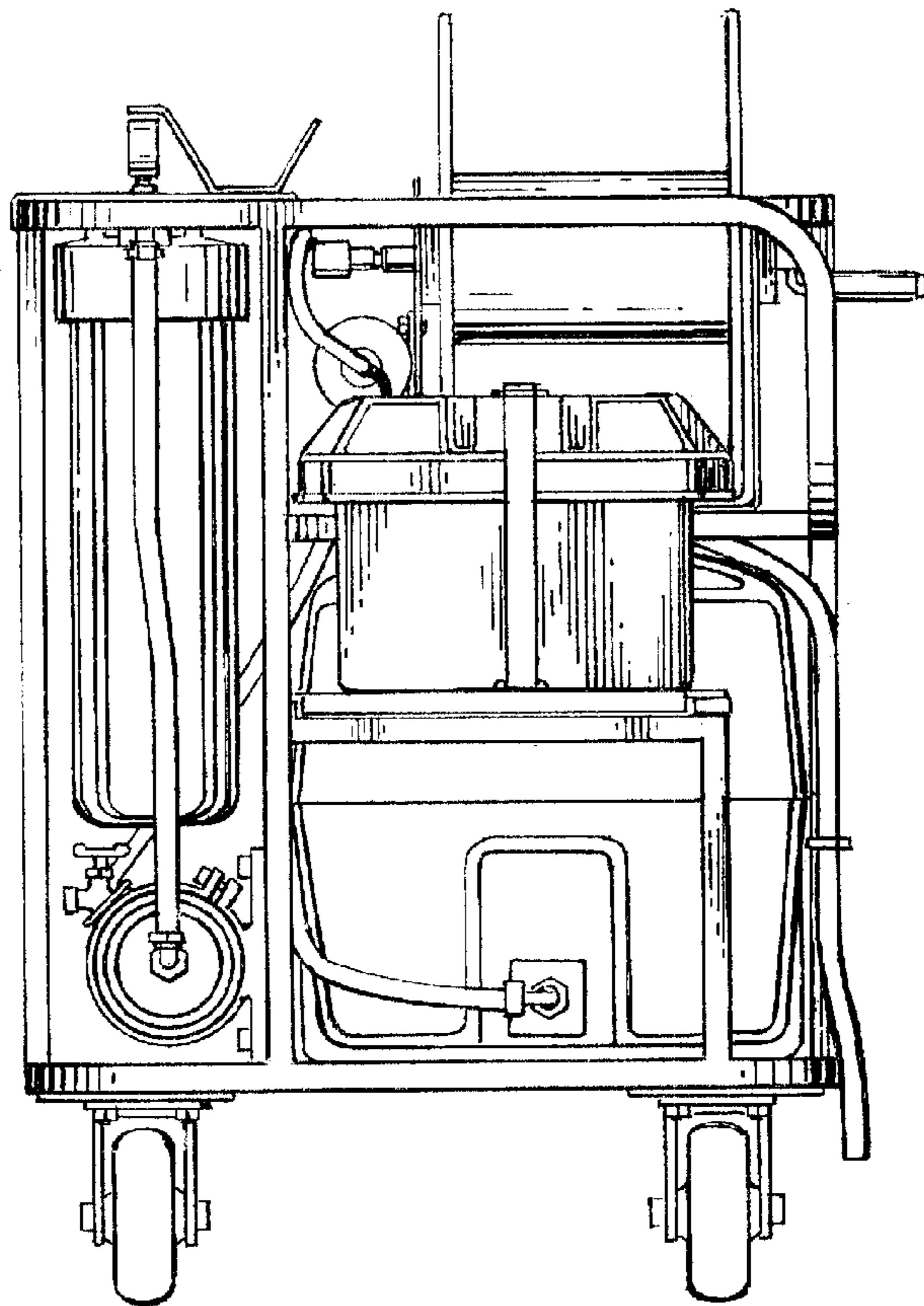


FIG. 5