



US00D480447S

(12) **United States Design Patent**
Cook

(10) **Patent No.:** **US D480,447 S**

(45) **Date of Patent:** **** Oct. 7, 2003**

(54) **REVERSE OSMOSIS TROLLEY**
(75) Inventor: **James E. Cook**, Anoka, MN (US)
(73) Assignee: **Pure Rinse Systems, Inc.**, Anoka, MN (US)
(**) Term: **14 Years**

D352,090 S * 11/1994 Dea et al. D23/207
D370,050 S * 5/1996 Dea et al. D23/207
D410,726 S * 6/1999 Cook D23/207
D428,468 S * 7/2000 Dea et al. D23/207

* cited by examiner

Primary Examiner—Robin V. Taylor
(74) *Attorney, Agent, or Firm*—Roger W. Jensen

(21) Appl. No.: **29/172,390**
(22) Filed: **Dec. 11, 2002**

(57) **CLAIM**

The ornamental design for a reverse osmosis trolley, as shown.

(65) **Prior Publication Data**
(65)
(51) **LOC (7) Cl.** **23-01**
(52) **U.S. Cl.** **D23/207; D23/200**
(58) **Field of Search** **D23/200, 207,**
D23/209; 210/241, 257.2, 259

DESCRIPTION

FIG. 1 is a right side view of a reverse osmosis trolley showing my new design;
FIG. 2 is a top view thereof;
FIG. 3 is a bottom view thereof;
FIG. 4 is a left side view thereof;
FIG. 5 is a front side view thereof; and,
FIG. 6 is a back side view thereof.

(56) **References Cited**
U.S. PATENT DOCUMENTS
5,034,125 A * 7/1991 Karbachsch et al. 210/321.8

1 Claim, 3 Drawing Sheets

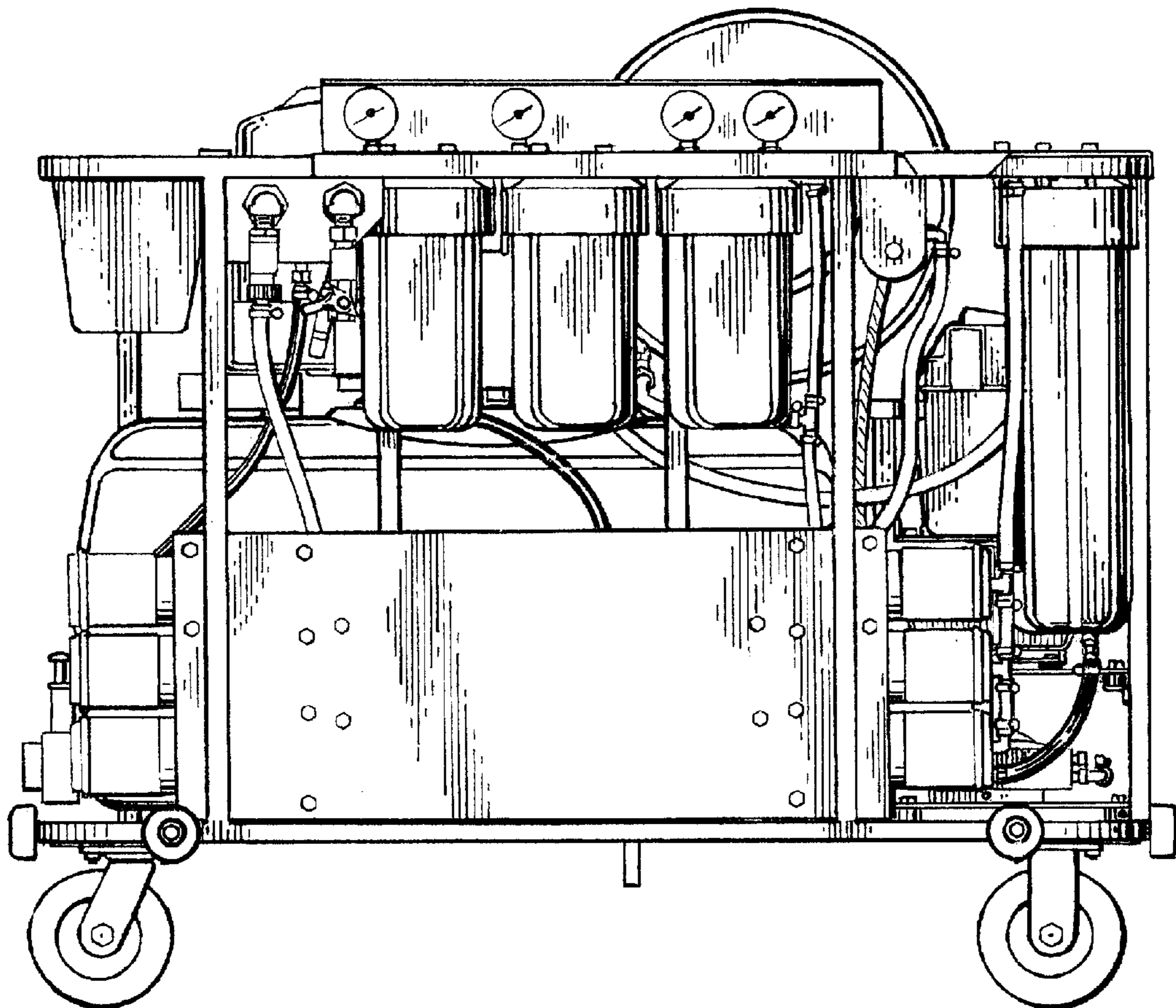


FIG. 2

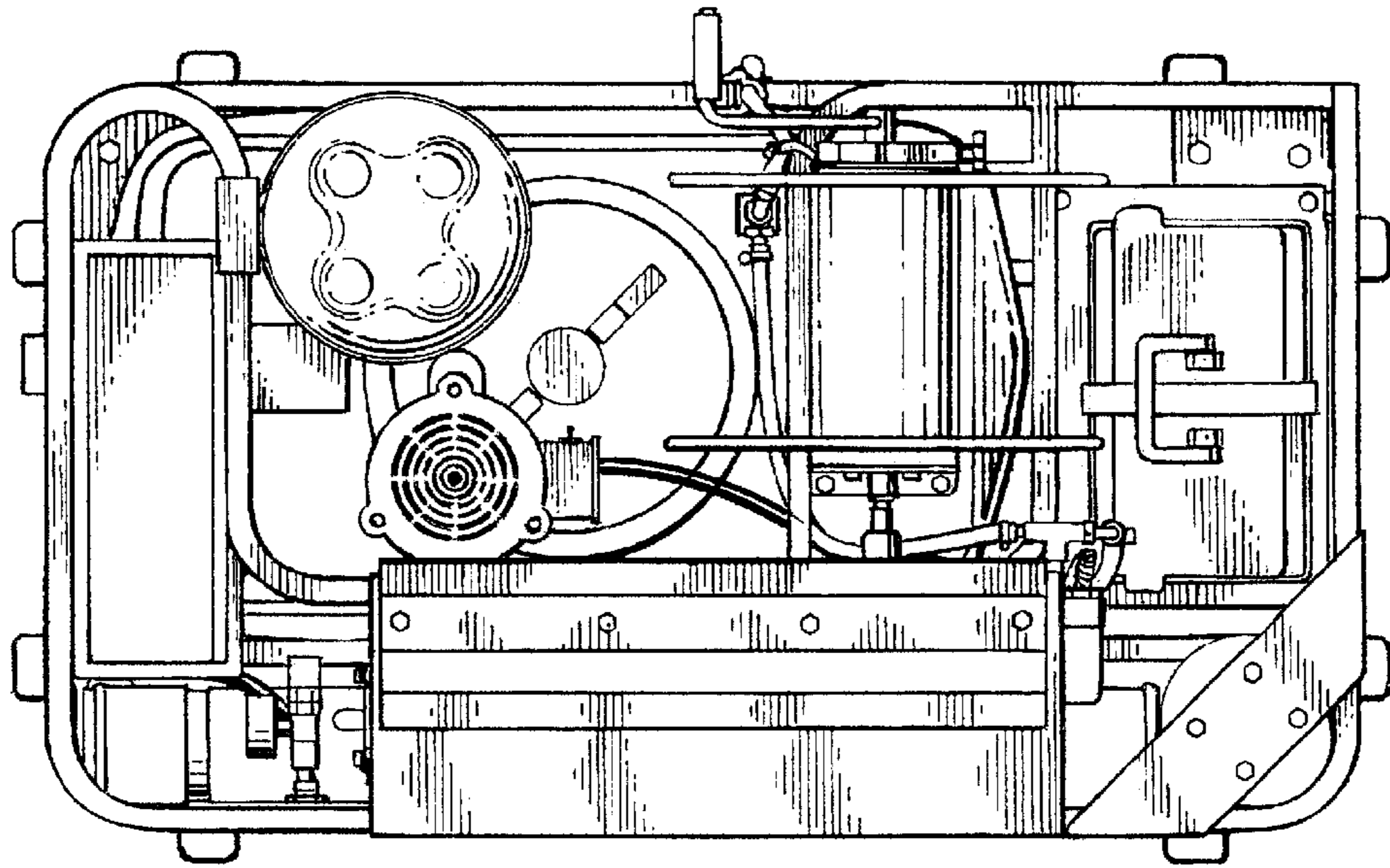
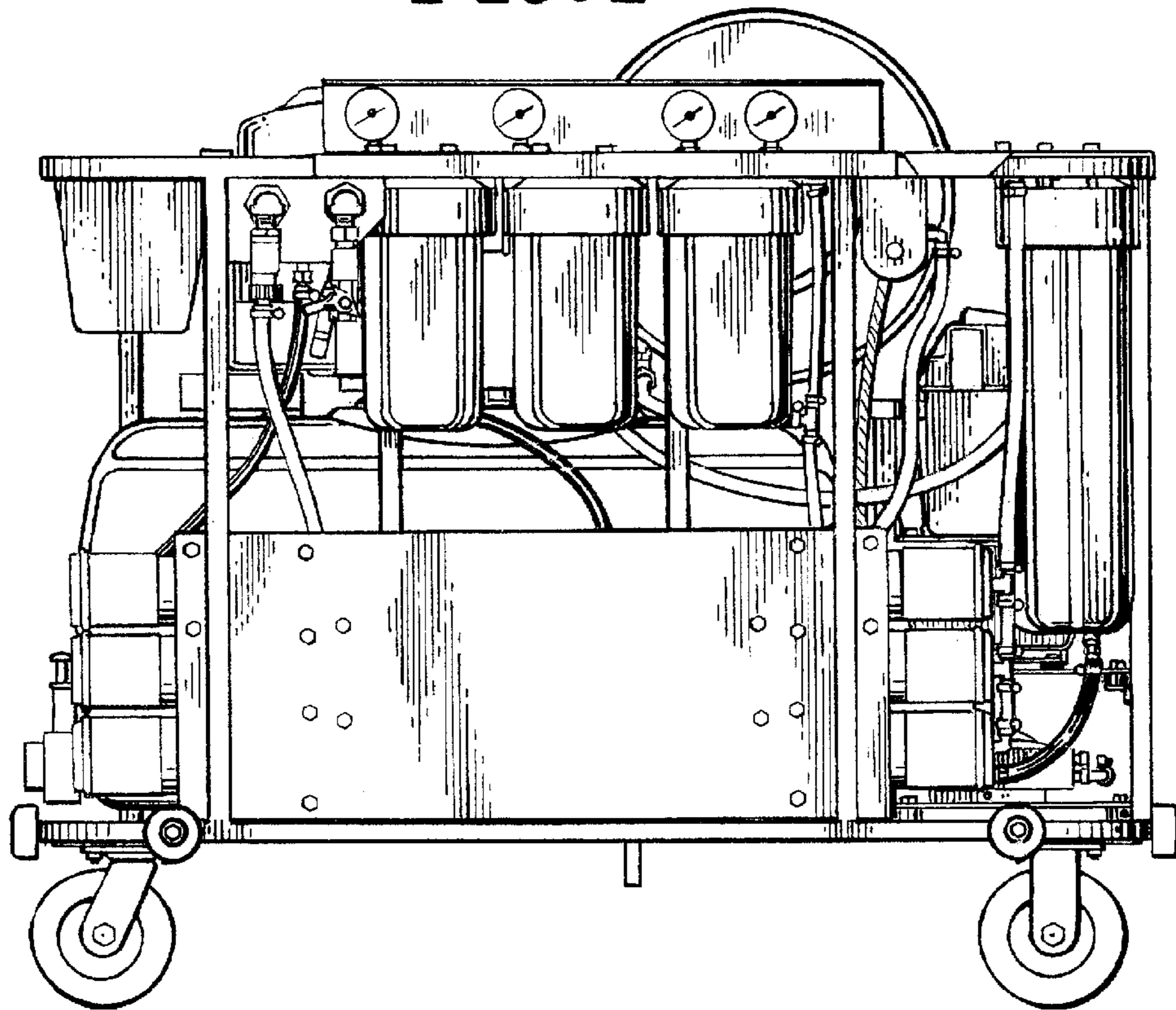


FIG. 1



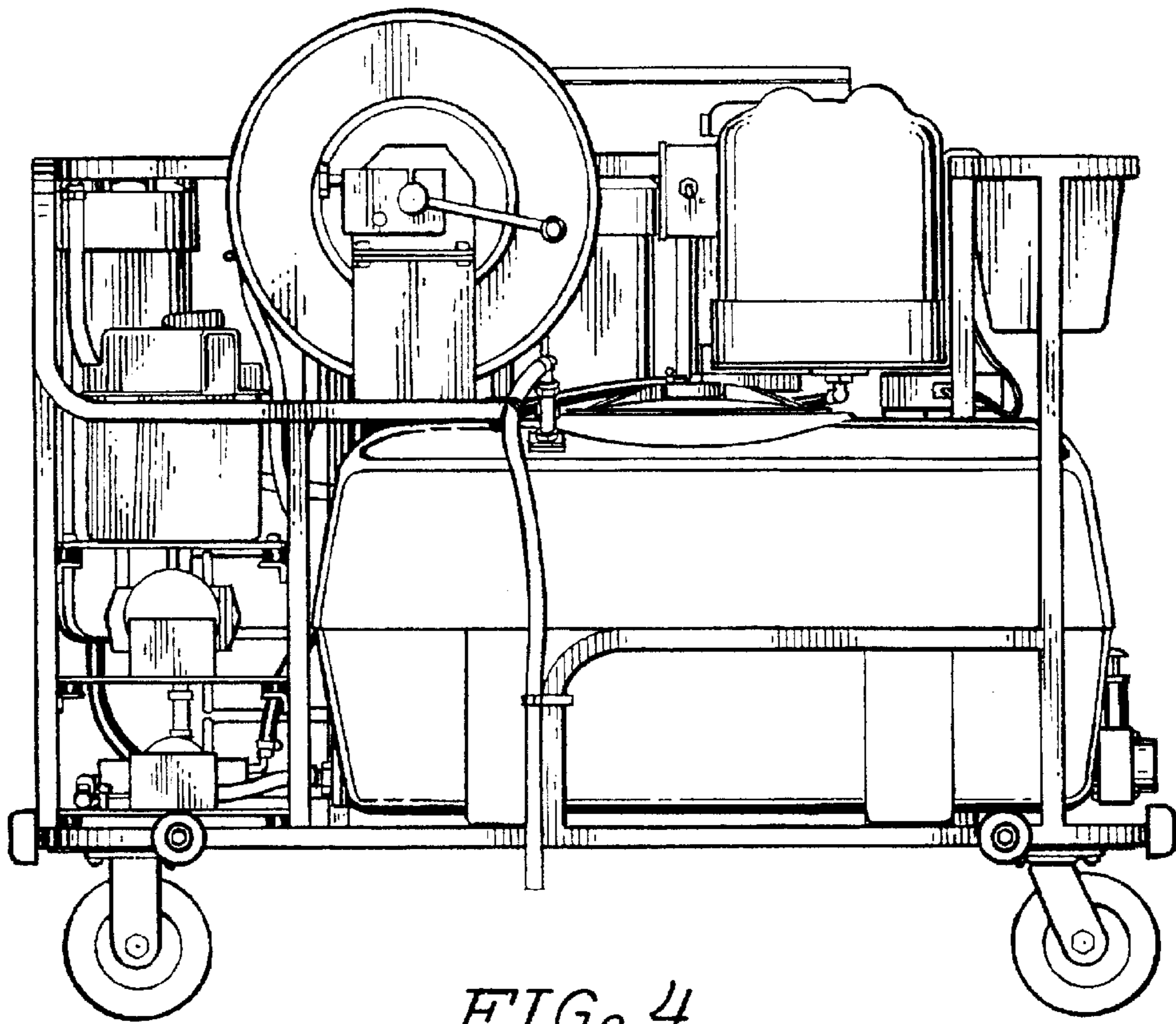


FIG. 4

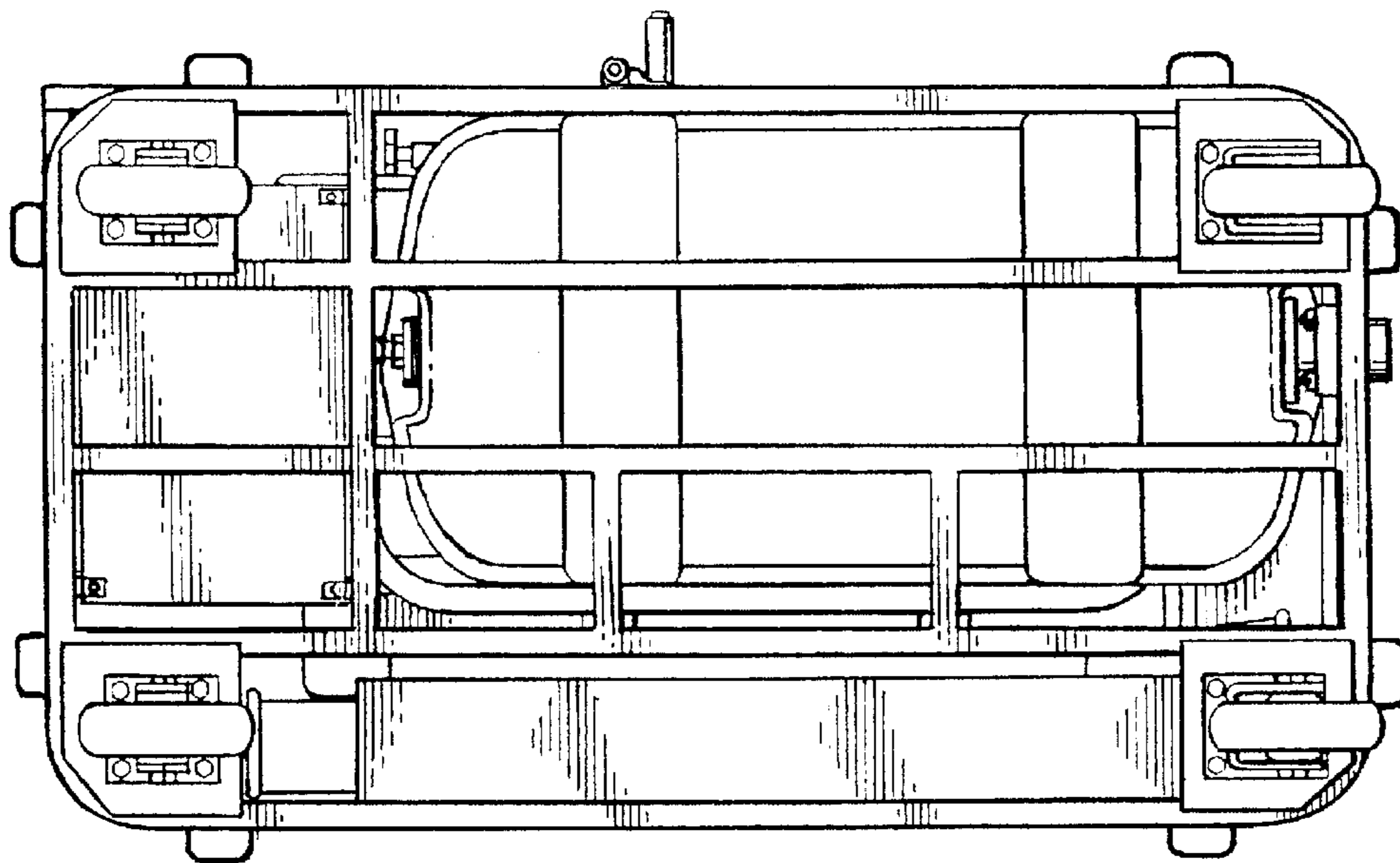


FIG. 3

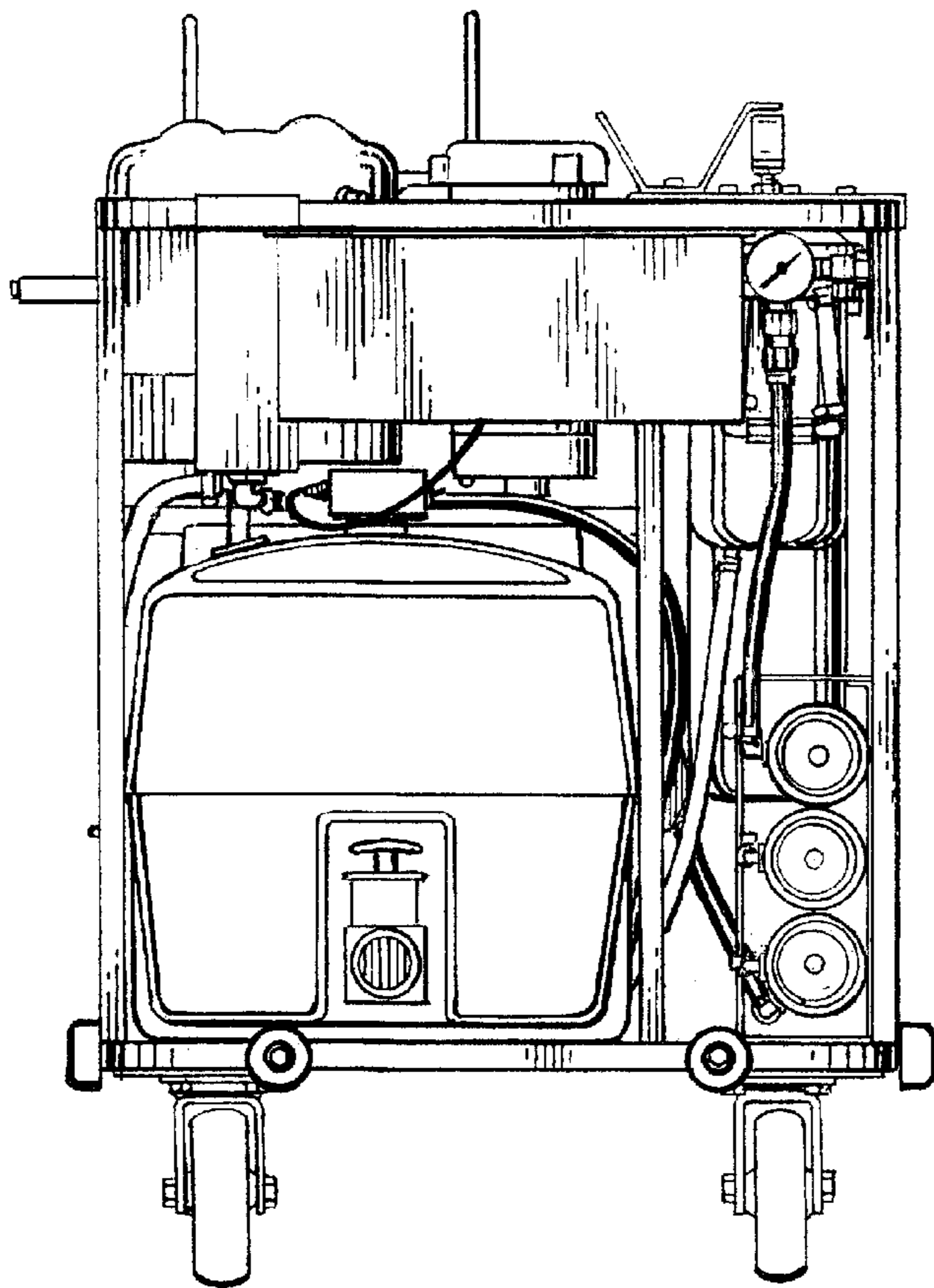


FIG. 6

FIG. 5

