



US00D480445S

(12) **United States Design Patent**  
**Zernov**

(10) **Patent No.:** **US D480,445 S**

(45) **Date of Patent:** **\*\* Oct. 7, 2003**

(54) **LIGHTED FISHING LURE**

(76) **Inventor:** **Jeffrey P. Zernov**, 8823 Zealand Ave.  
N. #A&B, Minneapolis, MN (US)  
55445

(\*\*) **Term:** **14 Years**

(21) **Appl. No.:** **29/172,671**

(22) **Filed:** **Dec. 16, 2002**

(51) **LOC (7) Cl.** ..... **22-05**

(52) **U.S. Cl.** ..... **D22/126**

(58) **Field of Search** ..... D22/125-133;  
43/42.18, 42.39, 42.32, 42.37, 42.45, 43.16,  
42.52, 42.5, 42.33, 42.31

(56) **References Cited**

**U.S. PATENT DOCUMENTS**

3,091,049	A	*	5/1963	Reimers	.....	43/42.31
3,370,375	A	*	2/1968	Otonello	.....	43/42.45
D357,053	S	*	4/1995	Terrill	.....	D22/129
D374,907	S	*	10/1996	Ketchum	.....	D22/129
D398,699	S	*	9/1998	Gumina	.....	D22/129
D424,653	S	*	5/2000	Baker	.....	D22/126
D447,211	S	*	8/2001	Kysilka	.....	D22/129

\* cited by examiner

*Primary Examiner*—Catherine R. Oliver  
(74) *Attorney, Agent, or Firm*—D L Tschida

(57) **CLAIM**

The ornamental design for a lighted fishing lure, as shown and described.

**DESCRIPTION**

FIG. 1 is a drawing of a top view of my new design for a lighted fishing lure;

FIG. 2 is a drawing of a bottom view thereof;

FIG. 3 is a drawing of a left end view thereof;

FIG. 4 is a drawing of a right end view thereof;

FIG. 5 is a drawing of a front view thereof and wherein the rear view is the same; and

FIG. 6 is a perspective drawing thereof shown in exploded assembly and wherein the matter shown in dashed line comprises no part of the invention.

FIG. 7 is a drawing of a top view of a second embodiment of my new design for a lighted fishing lure and wherein the front and rear views are the same as shown in FIG. 5;

FIG. 8 is a drawing of a bottom view thereof;

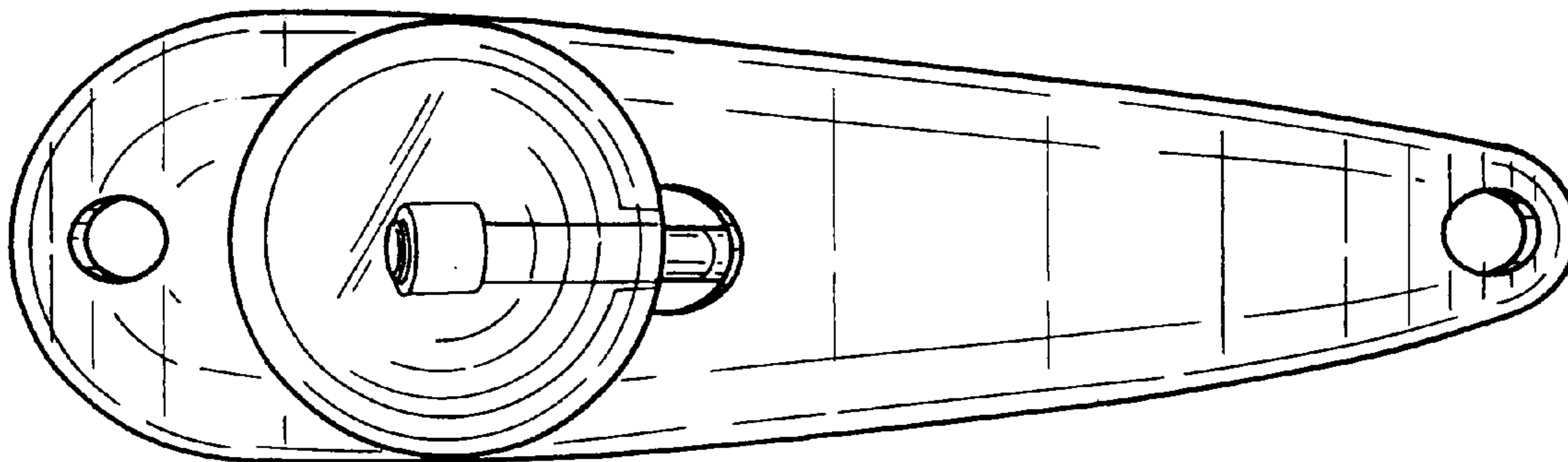
FIG. 9 is a drawing of a left end view thereof;

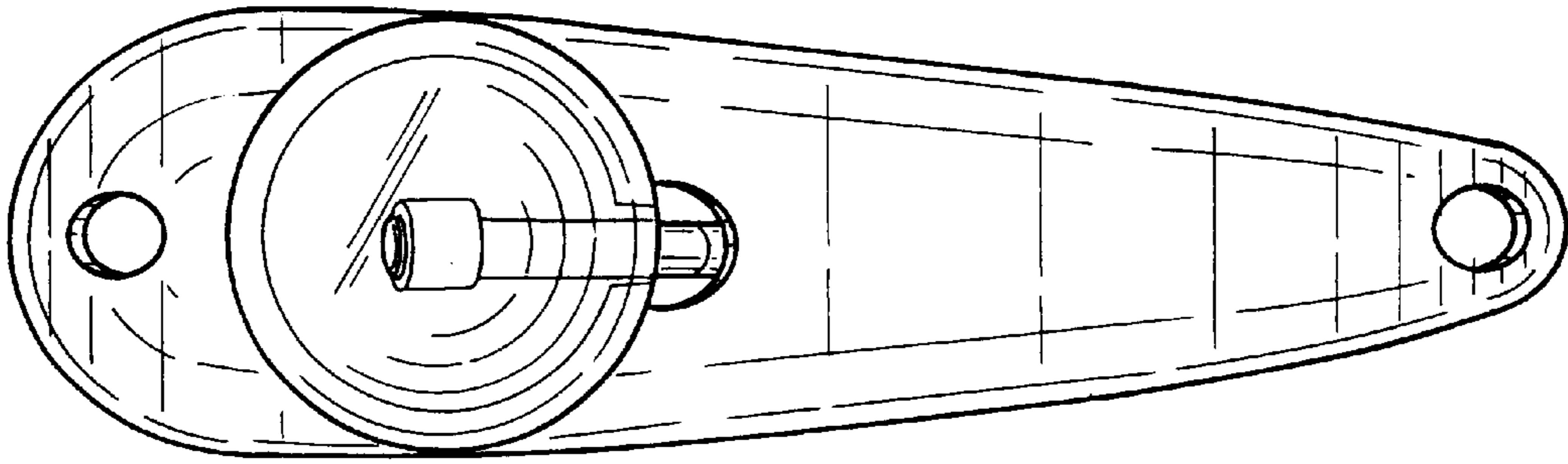
FIG. 10 is a drawing of a right end view thereof;

FIG. 11 is a drawing of a front view thereof and wherein the rear view is the same; and,

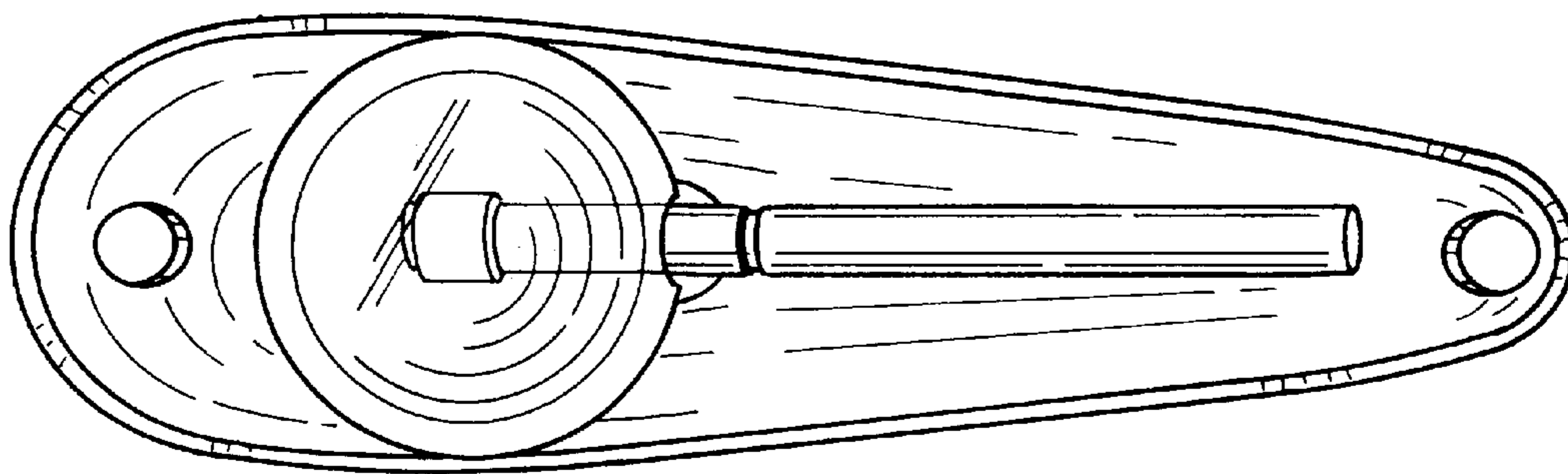
FIG. 12 is a perspective drawing thereof shown in exploded assembly and wherein the matter shown in dashed line comprises no part of the invention.

**1 Claim, 6 Drawing Sheets**

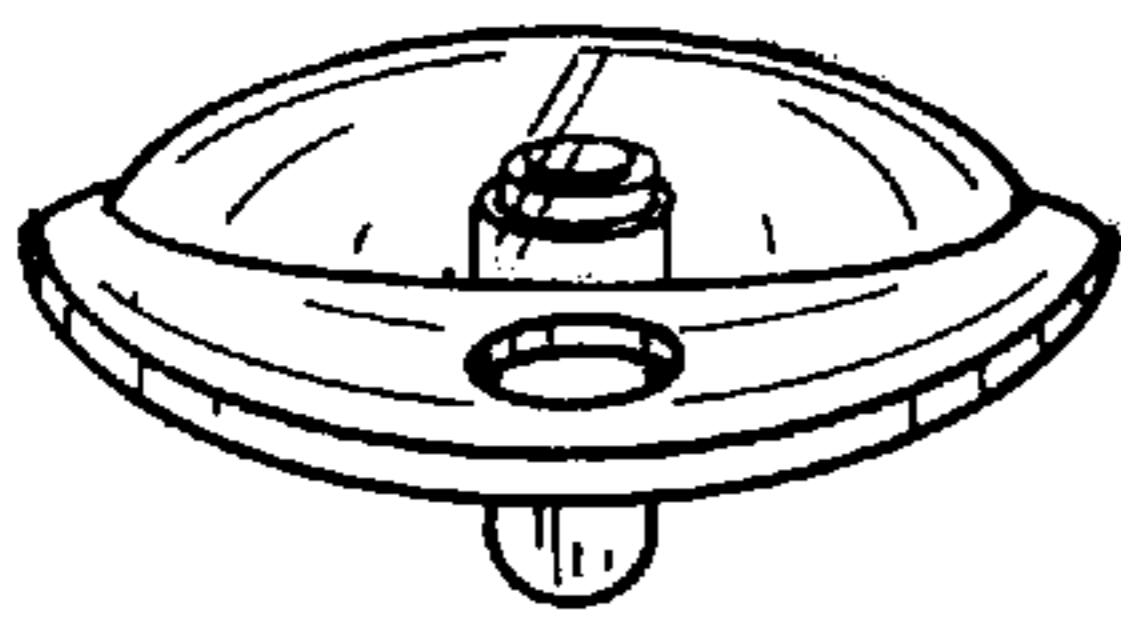




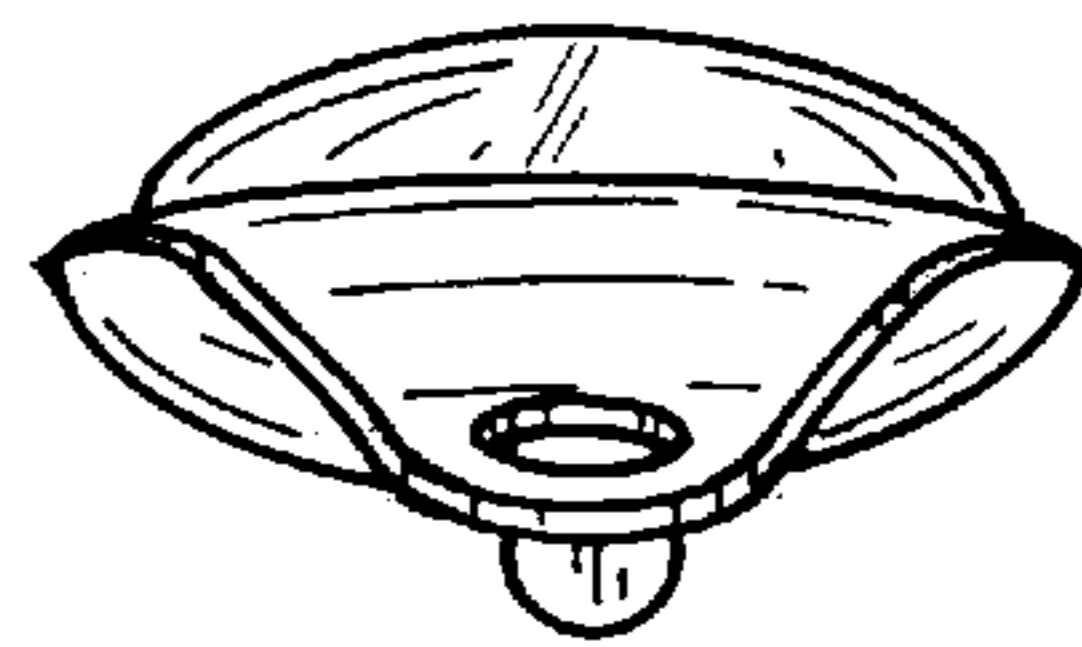
*FIG. 1*



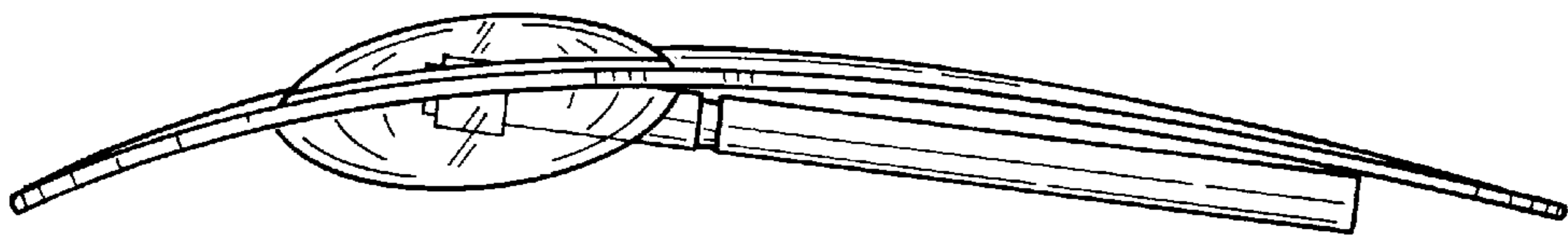
*FIG. 2*



*FIG. 3*



*FIG. 4*



*FIG. 5*

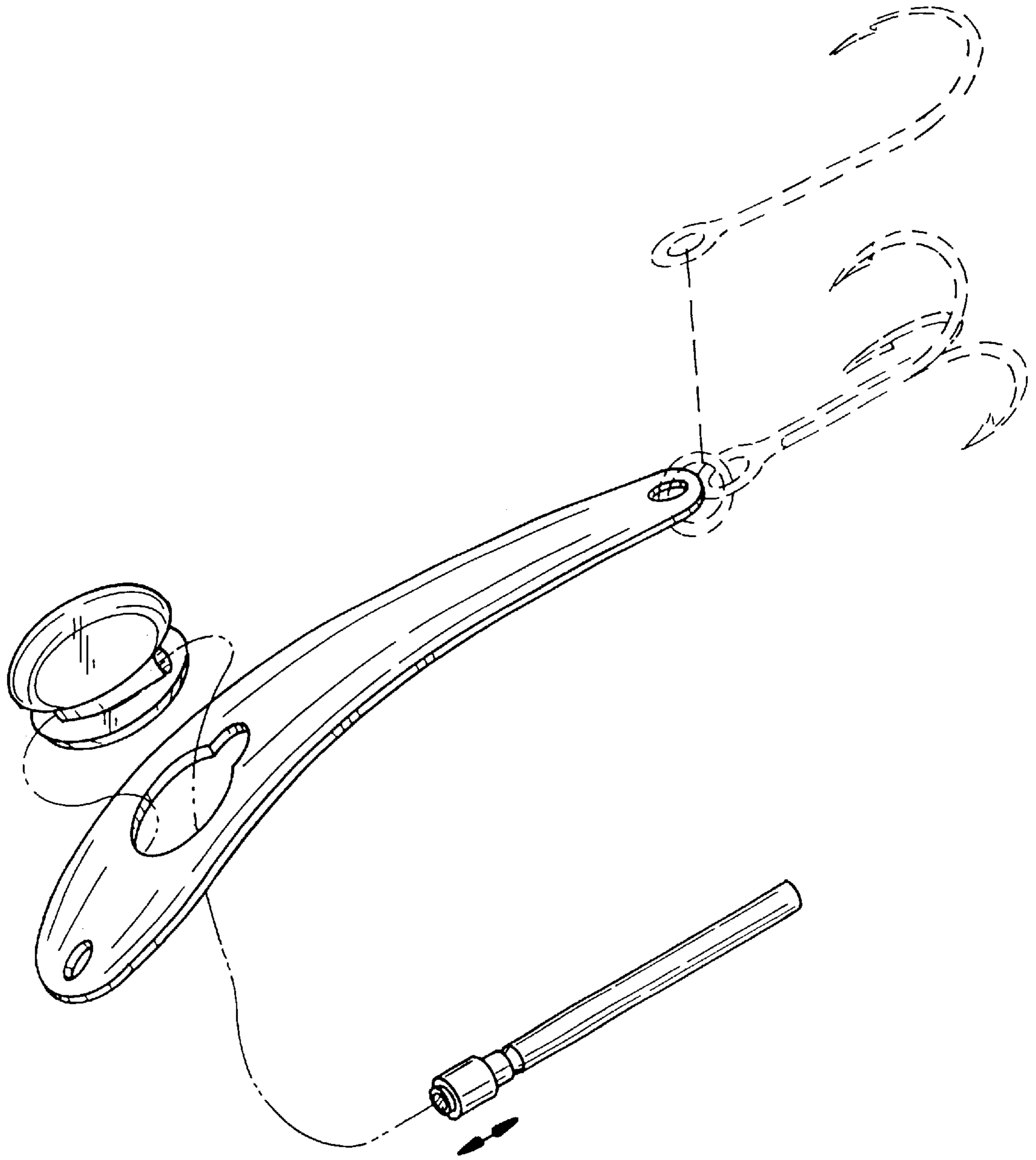
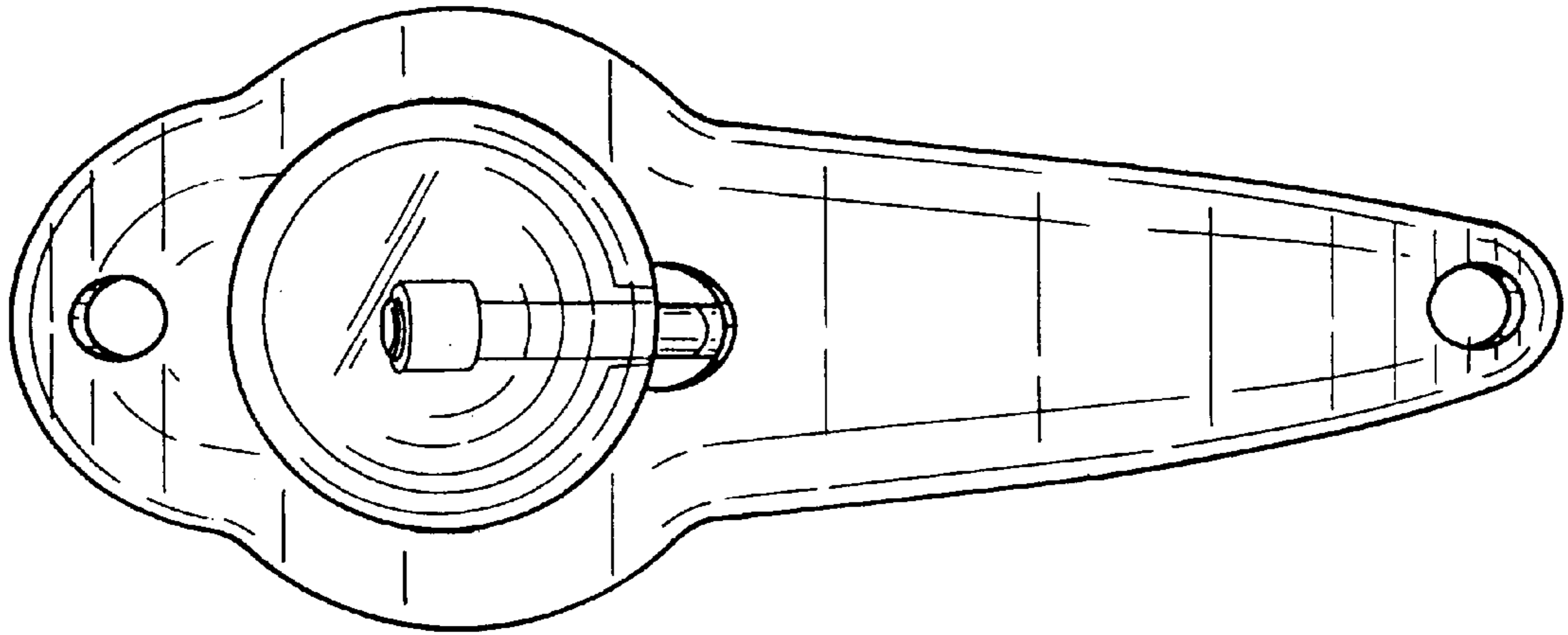
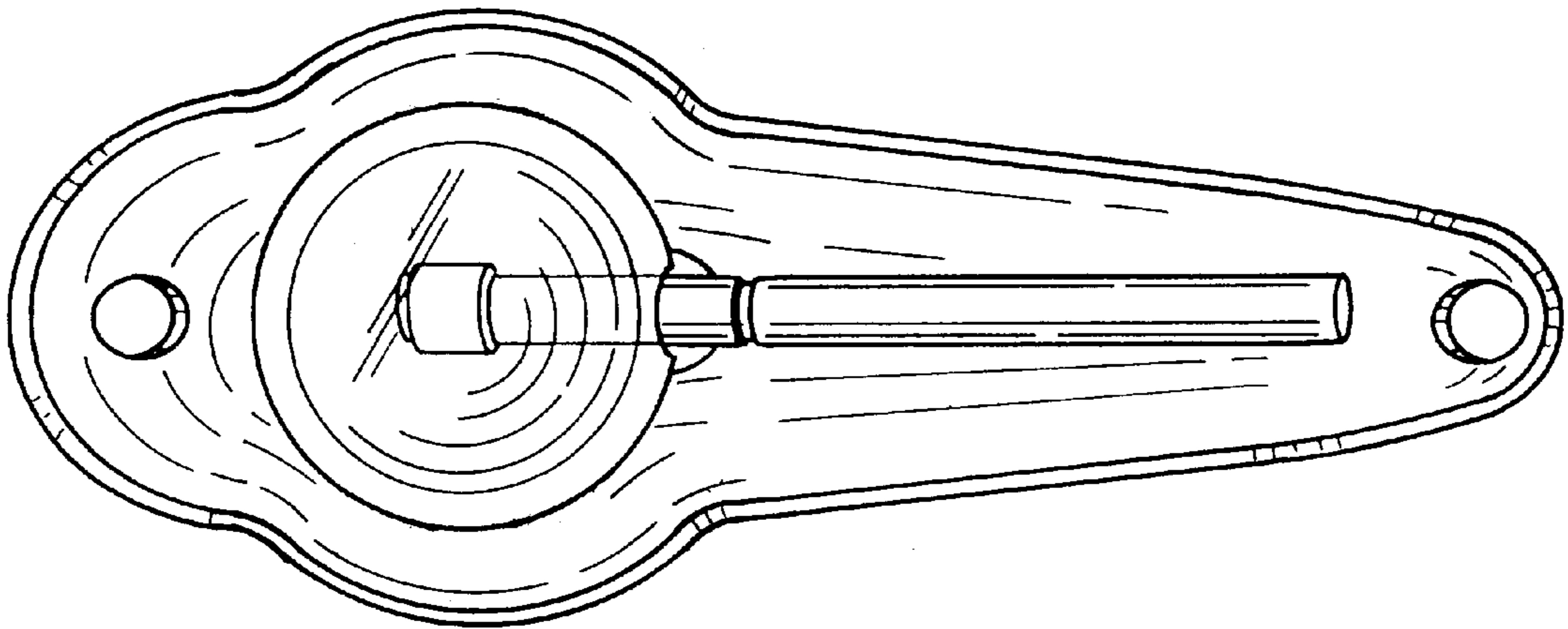


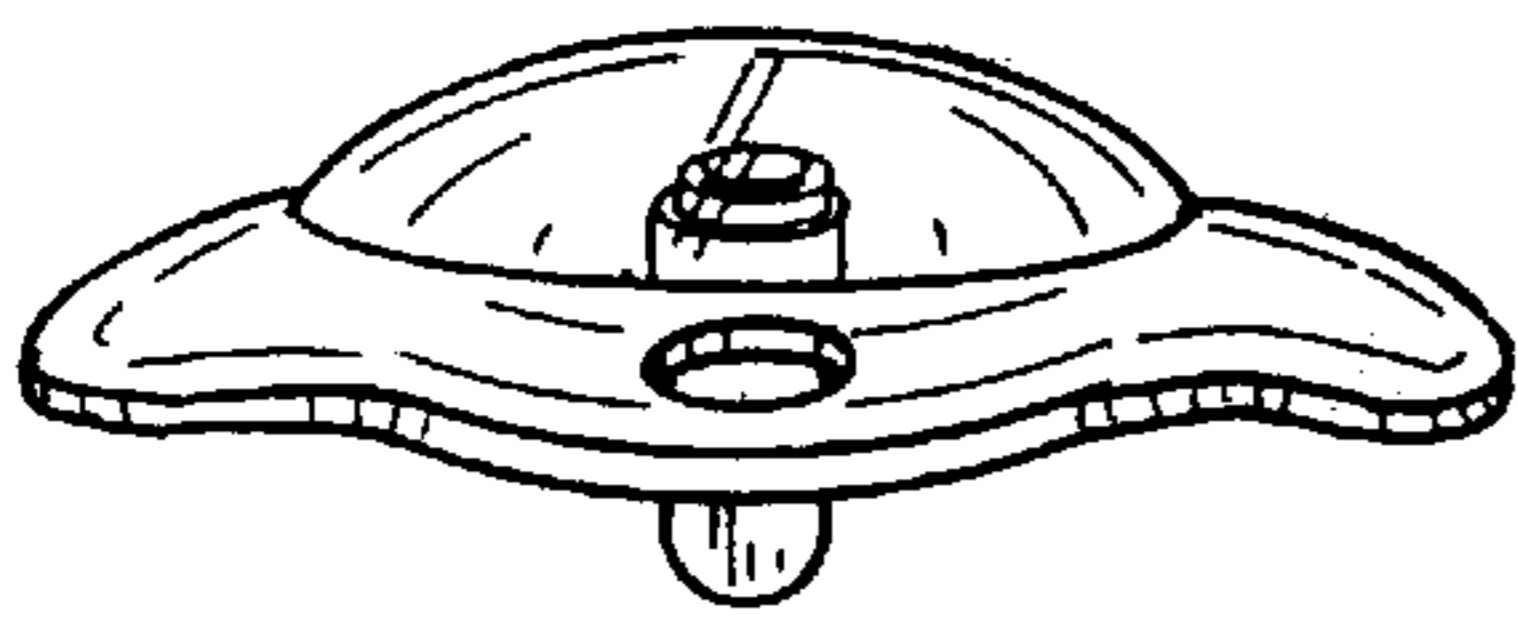
FIG. 6



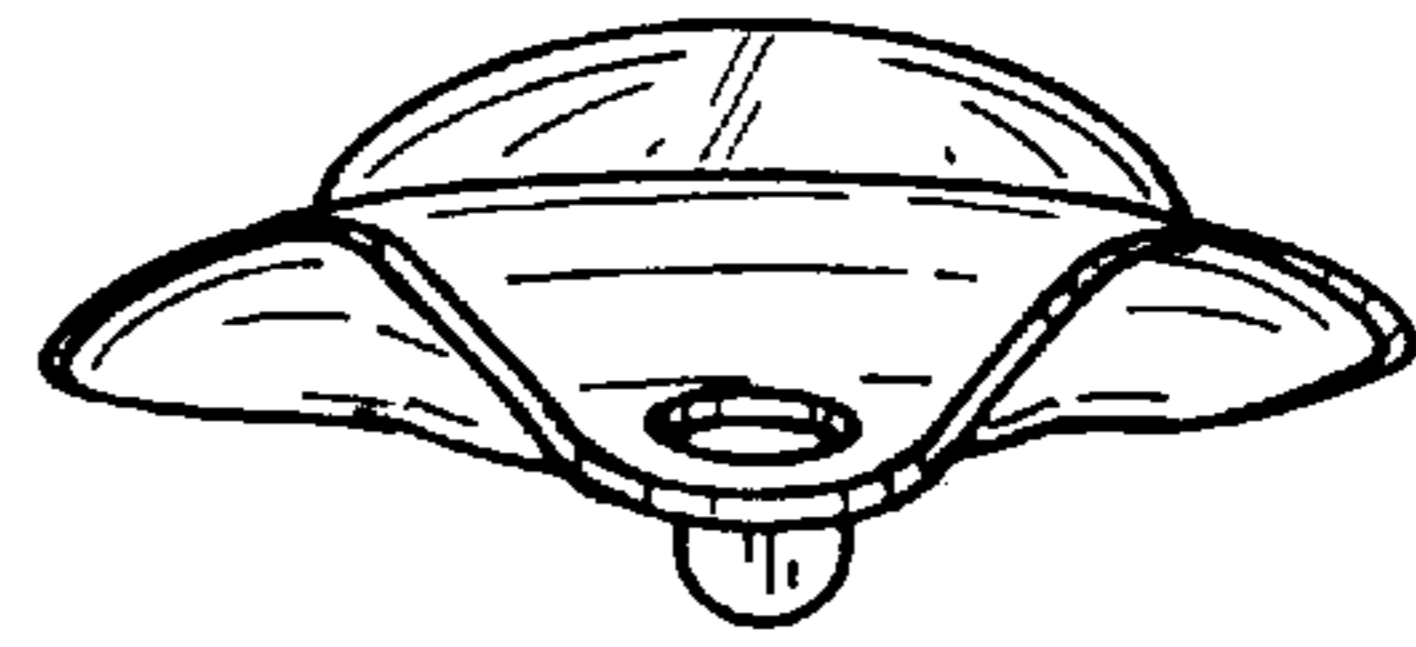
*FIG. 7*



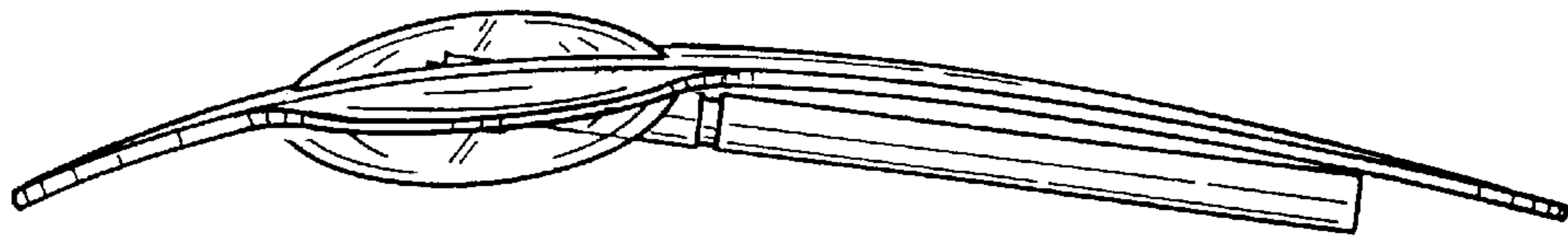
*FIG. 8*



*FIG. 9*



*FIG. 10*



*FIG. 11*



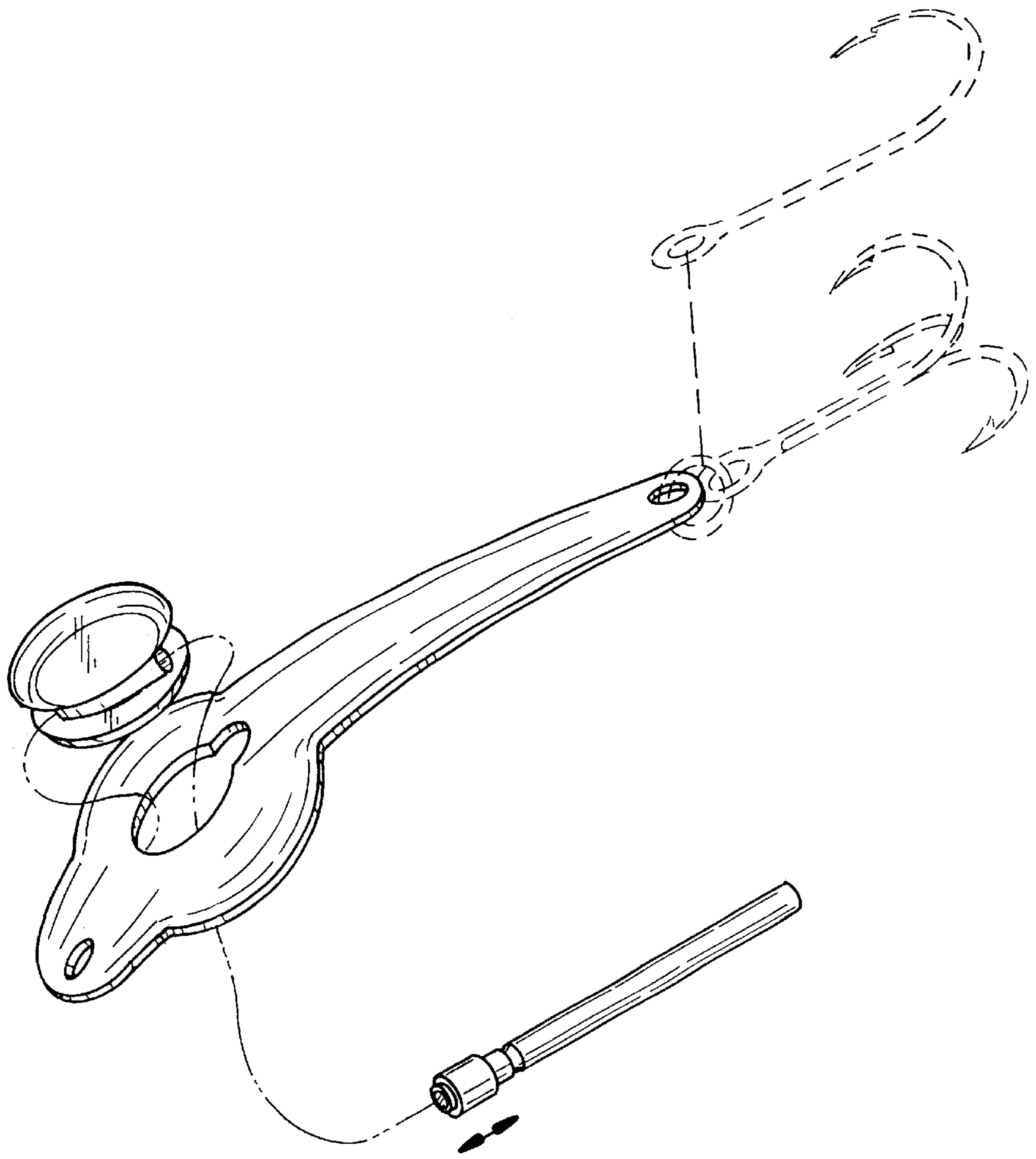


FIG. 12