



US00D480440S

(12) **United States Design Patent**
Rollinson et al.

(10) **Patent No.:** **US D480,440 S**

(45) **Date of Patent:** **** Oct. 7, 2003**

(54) **IRON GOLF CLUB HEAD**

(75) Inventors: **Augustin W. Rollinson**, Carlsbad, CA (US); **Karl A. Clausen**, San Marcos, CA (US); **Christopher J. Wieland**, Vista, CA (US); **Larry G. Tang**, Carlsbad, CA (US); **Roger Cleveland**, Los Angeles, CA (US); **Richard C. Helmstetter**, Rancho Santa Fe, CA (US); **Robert R. Lang**, Escondido, CA (US)

(73) Assignee: **Callaway Golf Company**, Carlsbad, CA (US)

(**) Term: **14 Years**

(21) Appl. No.: **29/169,736**

(22) Filed: **Oct. 25, 2002**

(51) **LOC (7) Cl.** **21-02**

(52) **U.S. Cl.** **D21/749**

(58) **Field of Search** D21/747-751;
473/324, 327-331, 350

(56) **References Cited**

U.S. PATENT DOCUMENTS

D437,625 S * 2/2001 Turner D21/749

D453,949 S * 2/2002 Helmstetter et al. D21/747

D466,960 S * 12/2002 Imamoto D21/747

D470,554 S * 2/2003 Truesdale D21/747

D474,822 S * 5/2003 Cleveland et al. D21/747

* cited by examiner

Primary Examiner—Mitchell Siegel

(74) *Attorney, Agent, or Firm*—Michael A. Catania; Elaine H. Lo

(57) **CLAIM**

The ornamental design for an iron golf club head, as shown and described.

DESCRIPTION

FIG. 1 is a rear perspective view of an iron golf club head of the present invention;

FIG. 2 is a front view thereof;

FIG. 3 is a front elevational view thereof;

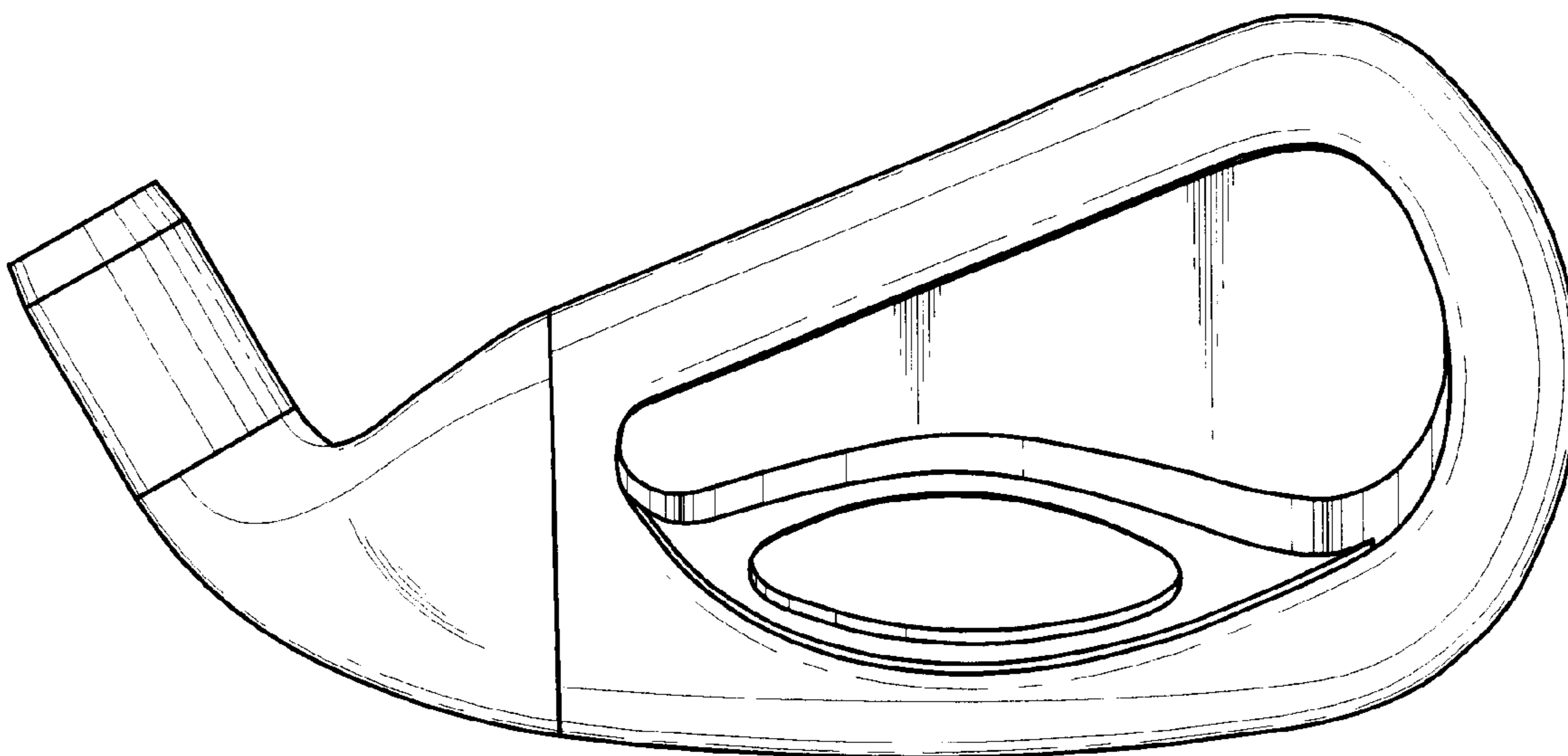
FIG. 4 is a bottom plan view thereof;

FIG. 5 is a cross sectional view taken on line 5—5 of FIG. 2 thereof;

FIG. 6 is a toe end view thereof; and,

FIG. 7 is a heel end view thereof.

1 Claim, 2 Drawing Sheets



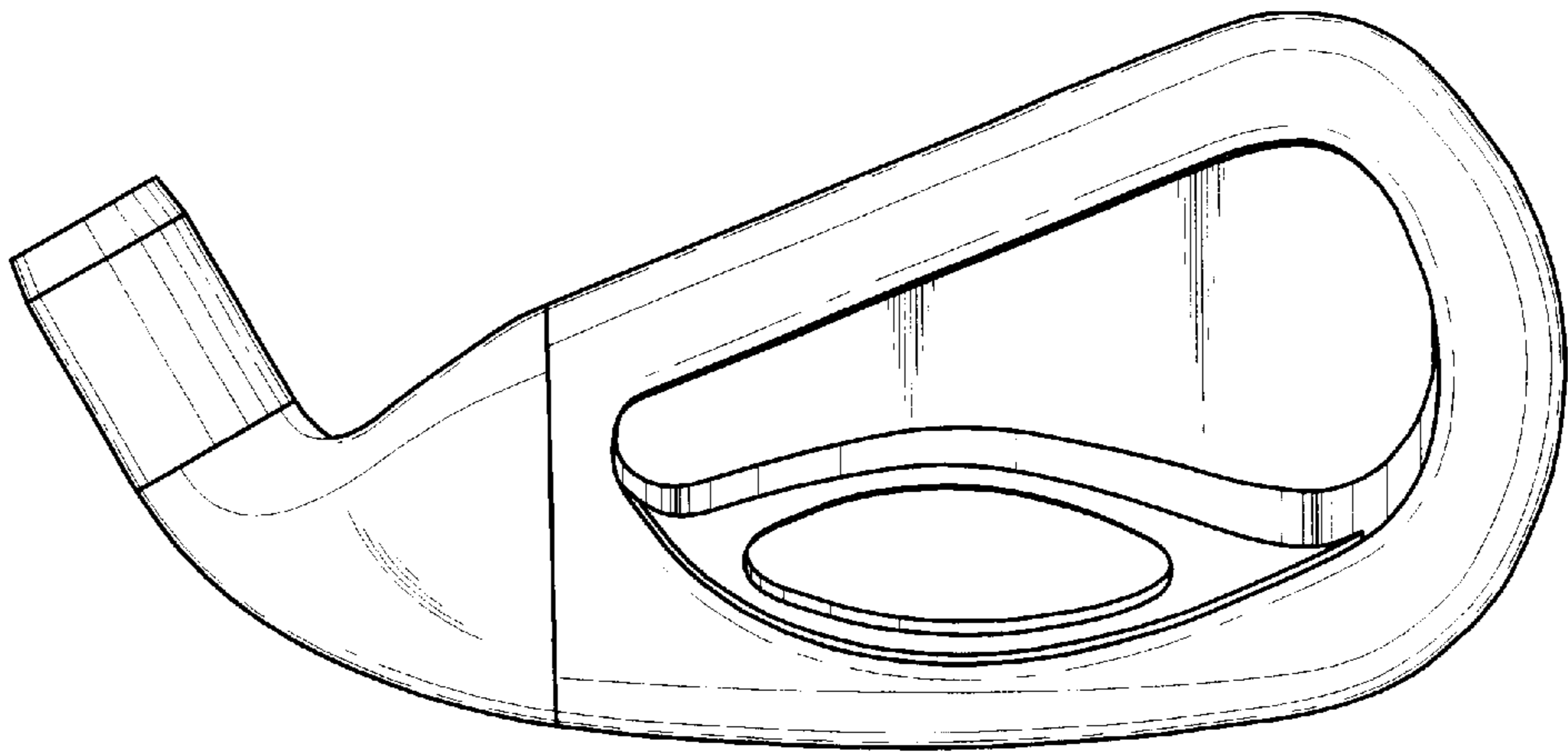


FIG. 1

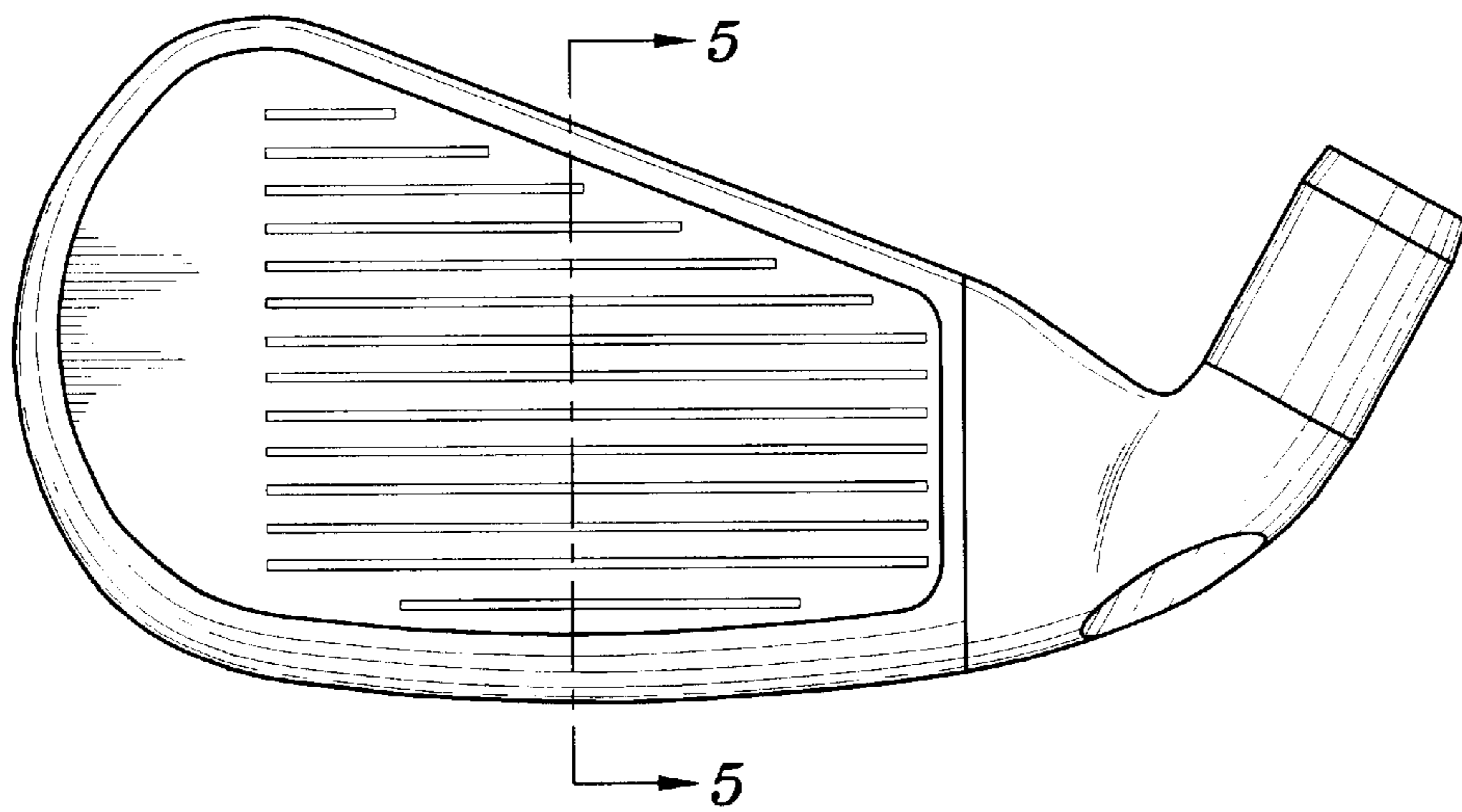


FIG. 2

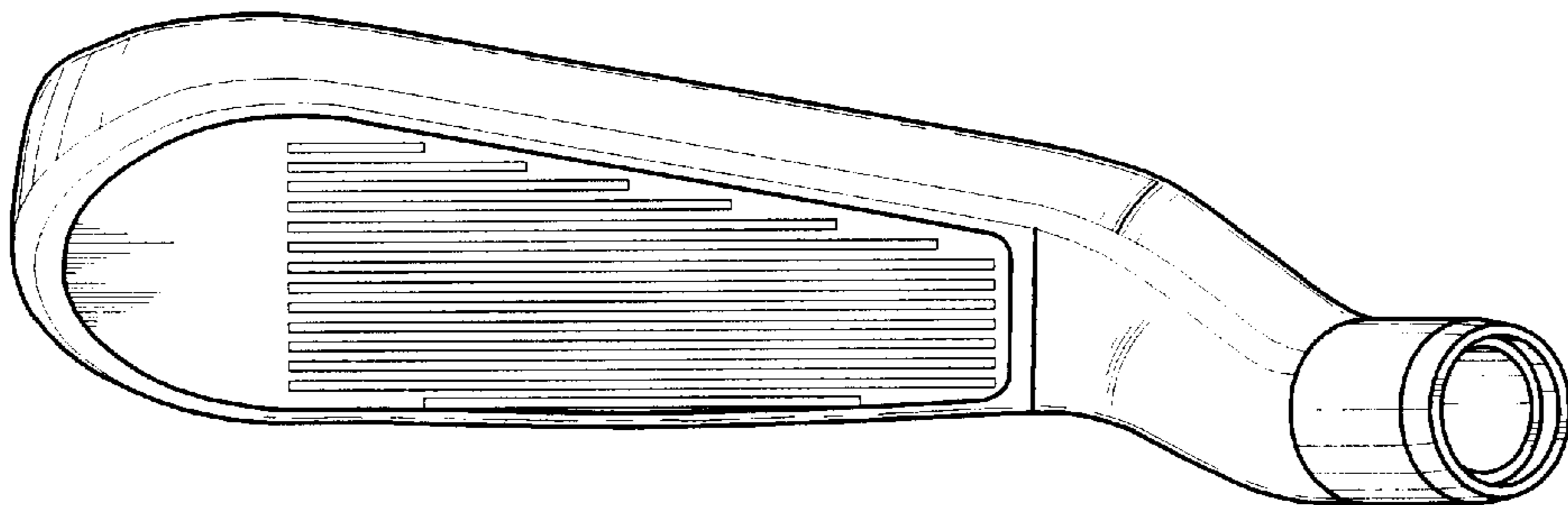


FIG. 3

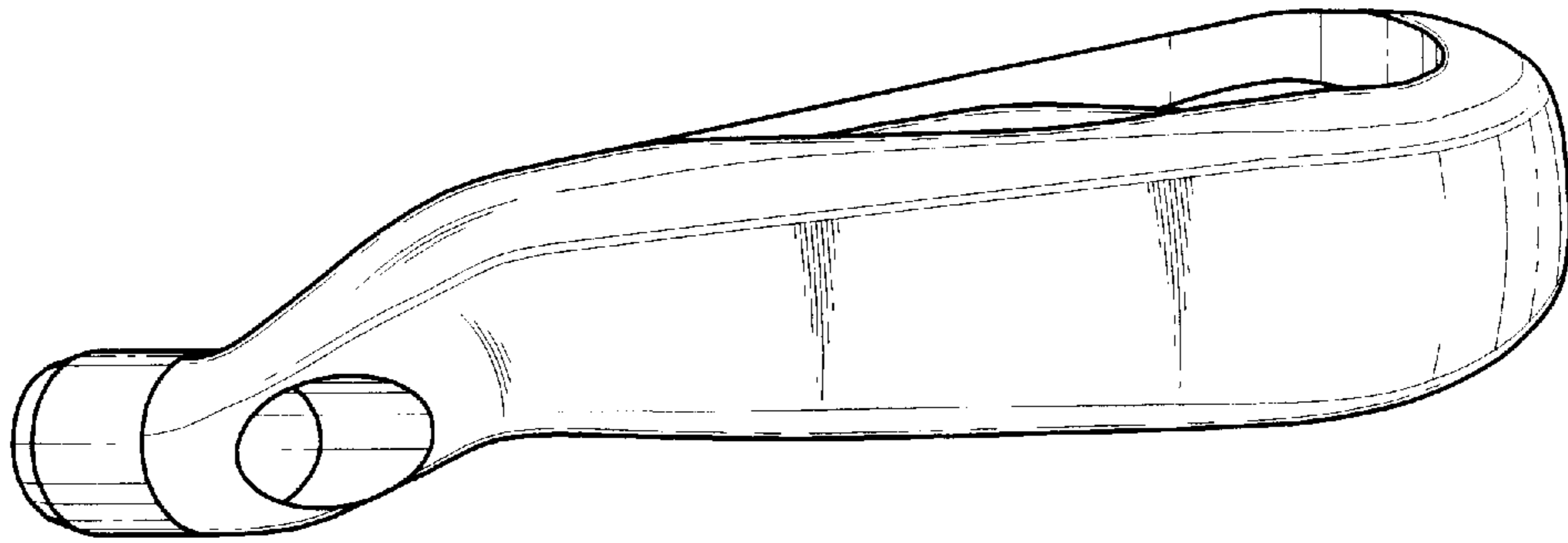


FIG. 4

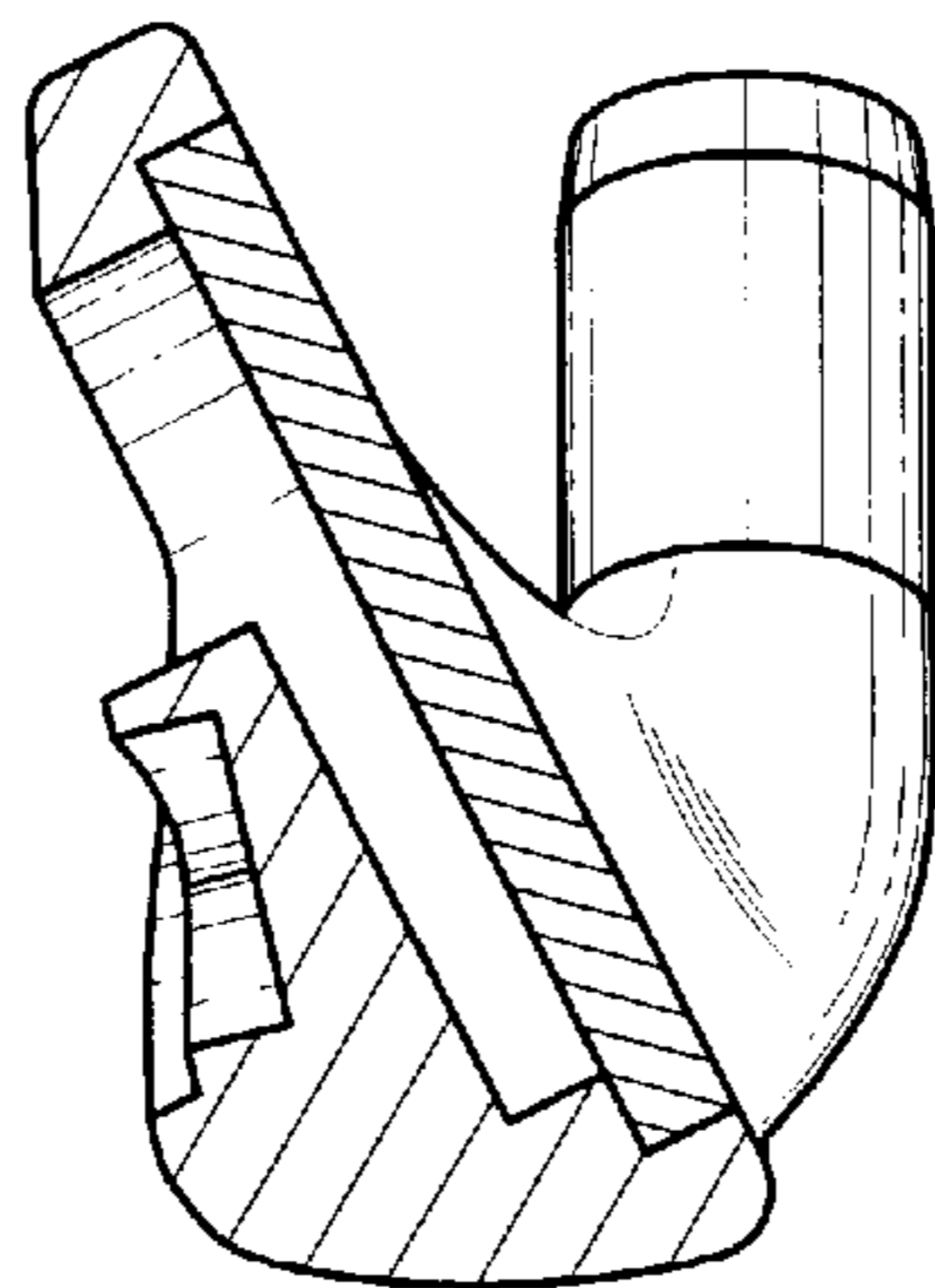


FIG. 5

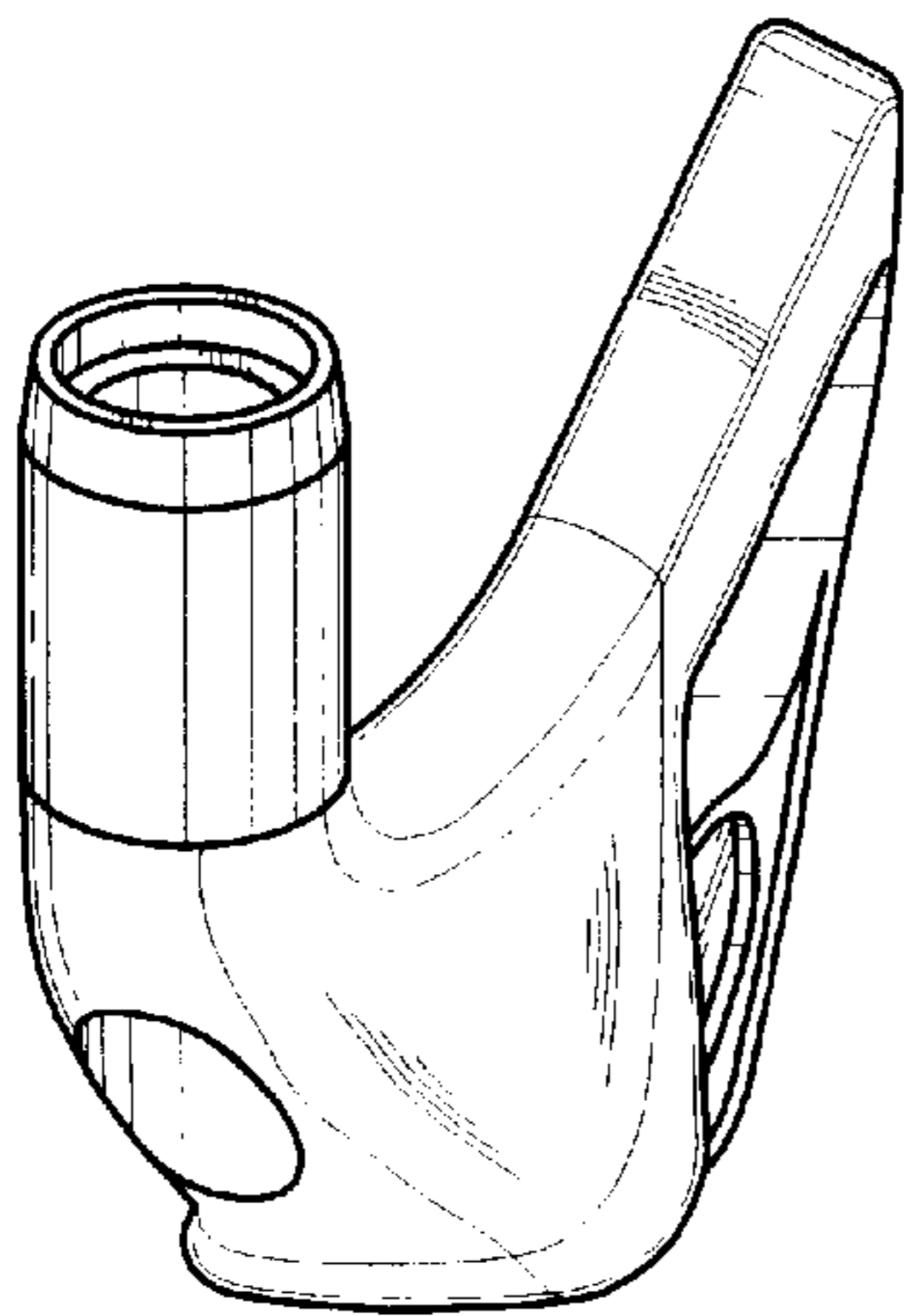


FIG. 6

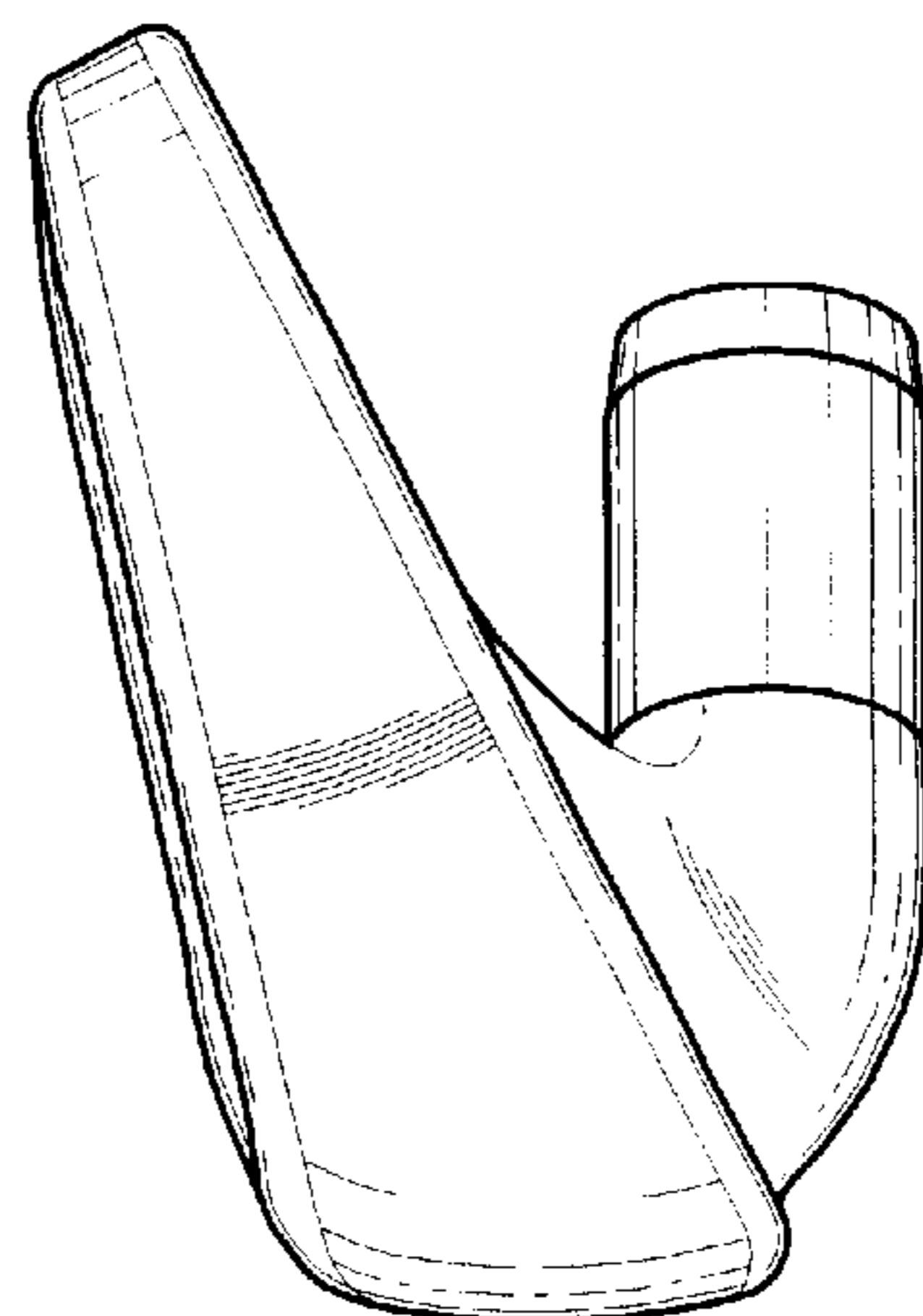


FIG. 7