



US00D480439S

(12) **United States Design Patent**  
**Verheem et al.**

(10) **Patent No.:** **US D480,439 S**

(45) **Date of Patent:** **\*\* Oct. 7, 2003**

(54) **EXERCISE DEVICE**

D460,506 S \* 7/2002 Tamminga et al. .... D21/686

\* cited by examiner

(75) Inventors: **Johann B. Verheem**, Carlsbad, CA (US); **James A. Jernigan**, Houston, TX (US); **Stephen G. Hauser**, Tarzana, CA (US)

*Primary Examiner*—Philip S. Hyder  
(74) *Attorney, Agent, or Firm*—Townsend and Townsend and Crew LLP; Thomas E. Coverstone

(73) Assignee: **ResponseIQ, LLC**, Carlsbad, CA (US)

(57) **CLAIM**

(\*\*) Term: **14 Years**

The ornamental design for an exercise device, as shown and described.

(21) Appl. No.: **29/172,540**

**DESCRIPTION**

(22) Filed: **Dec. 12, 2002**

(51) **LOC (7) Cl.** ..... **21-02**

(52) **U.S. Cl.** ..... **D21/686**

(58) **Field of Search** ..... D21/662, 686,  
D21/687, 688, 690; 482/91, 92, 140, 141,  
142, 148, 133

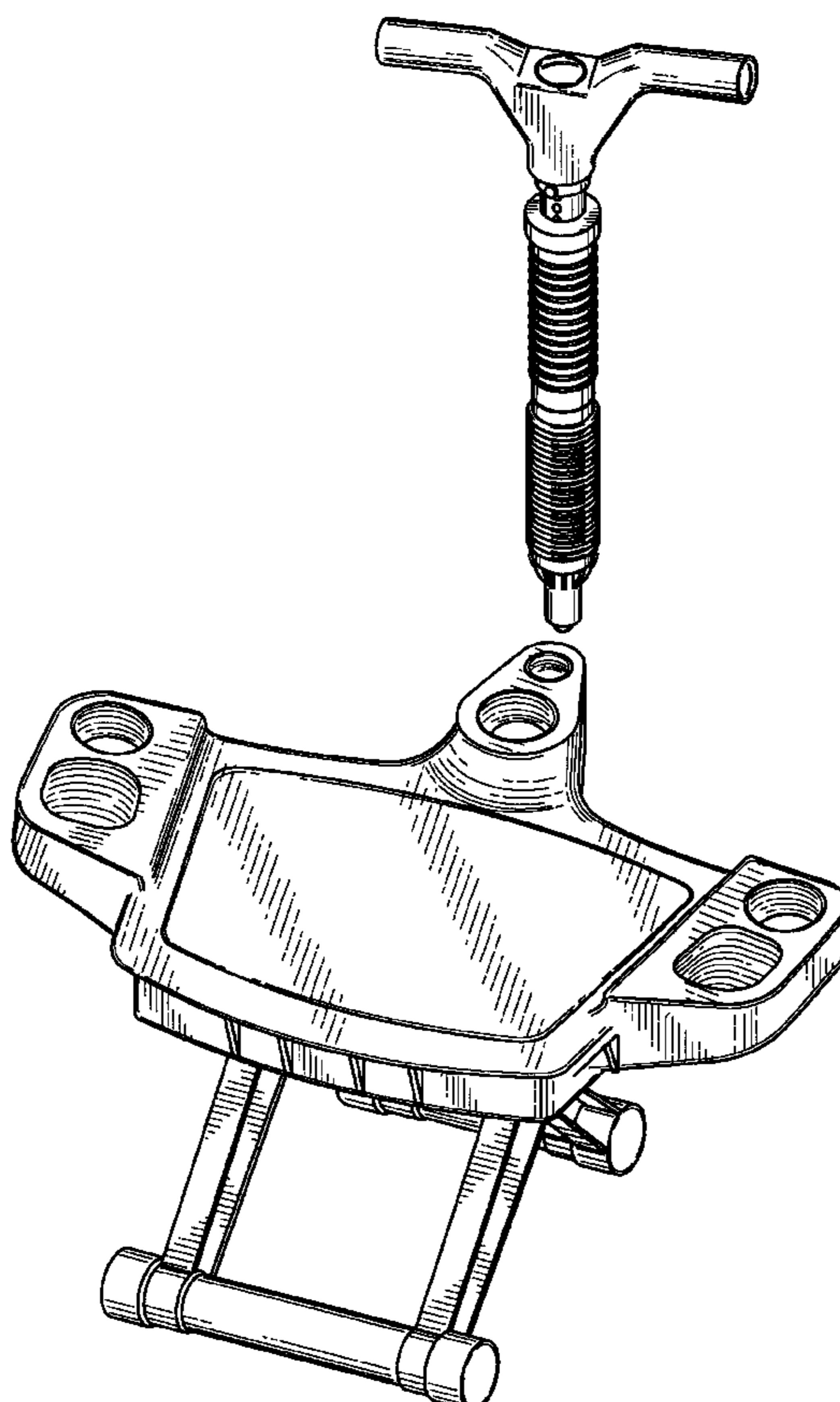
FIG. 1 is a perspective of an exercise device, showing my new design, wherein the handle assembly is detached;  
FIG. 2 is a front elevation view of FIG. 1;  
FIG. 3 is a rear elevational view of FIG. 1;  
FIG. 4 is a top plan view of FIG. 1;  
FIG. 5 is a bottom plan view of FIG. 1;  
FIG. 6 is a right side elevational view of FIG. 1;  
FIG. 7 is a left side elevational view of FIG. 1;  
FIG. 8 is a perspective view of the exercise device, wherein the handle assembly is attached;  
FIG. 9 is a front elevational view of FIG. 8;  
FIG. 10 is a rear elevational view of FIG. 8;  
FIG. 11 is a top plan view of FIG. 8;  
FIG. 12 is a bottom plan view of FIG. 8;  
FIG. 13 is a right side elevational view of FIG. 8; and,  
FIG. 14 is a left side elevational view of FIG. 8.

(56) **References Cited**

**U.S. PATENT DOCUMENTS**

- D350,450 S \* 9/1994 Hassel et al. .... D6/349
- 5,352,176 A \* 10/1994 Huang ..... 482/146
- D353,419 S \* 12/1994 Sprague ..... D21/686
- D355,458 S \* 2/1995 Chen ..... D21/673
- D362,479 S \* 9/1995 Destasio, Jr. .... D21/688
- D380,508 S \* 7/1997 Chang ..... D21/688
- D382,125 S \* 8/1997 Chuang ..... D6/353

**1 Claim, 14 Drawing Sheets**



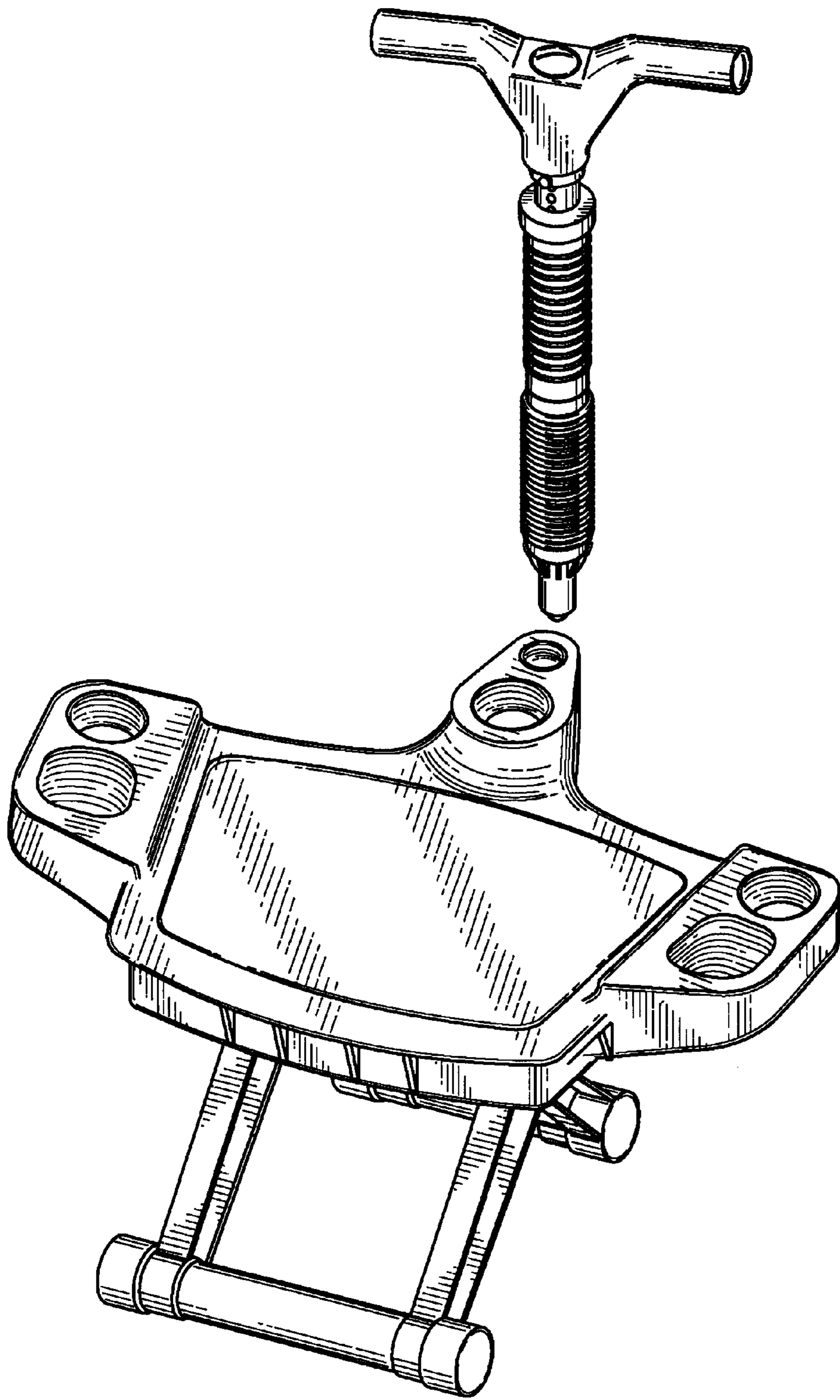


FIG. 1

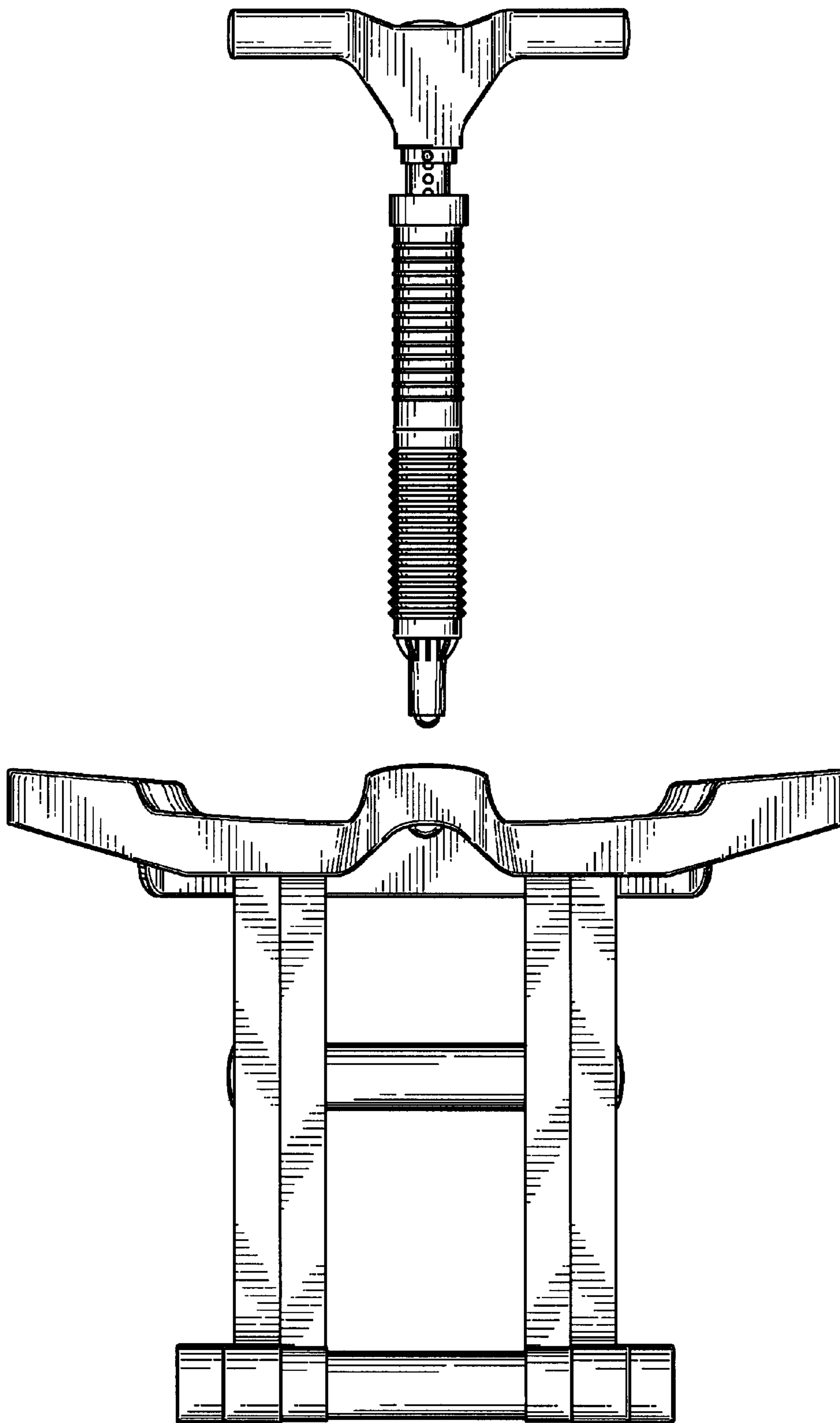


FIG. 2

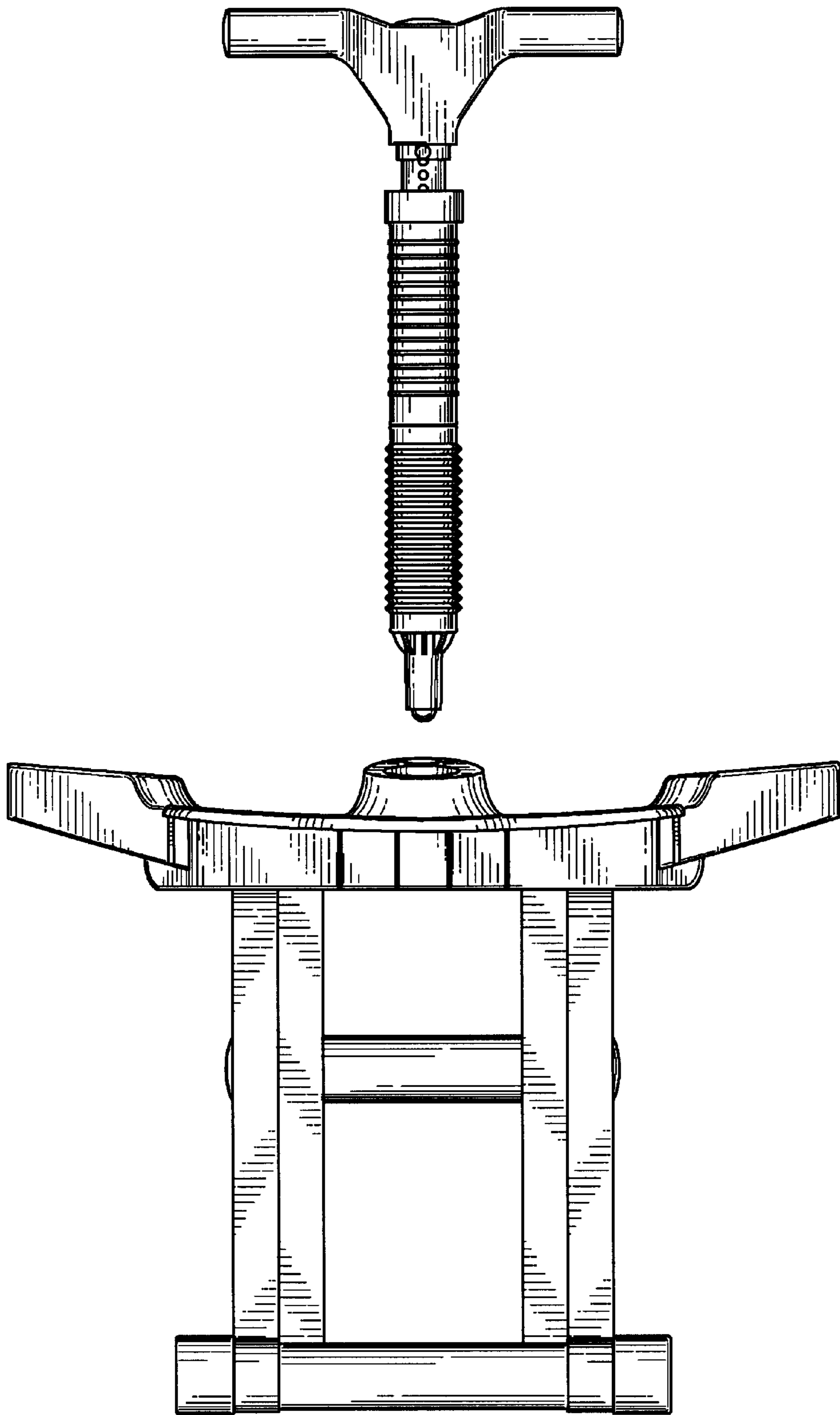


FIG. 3

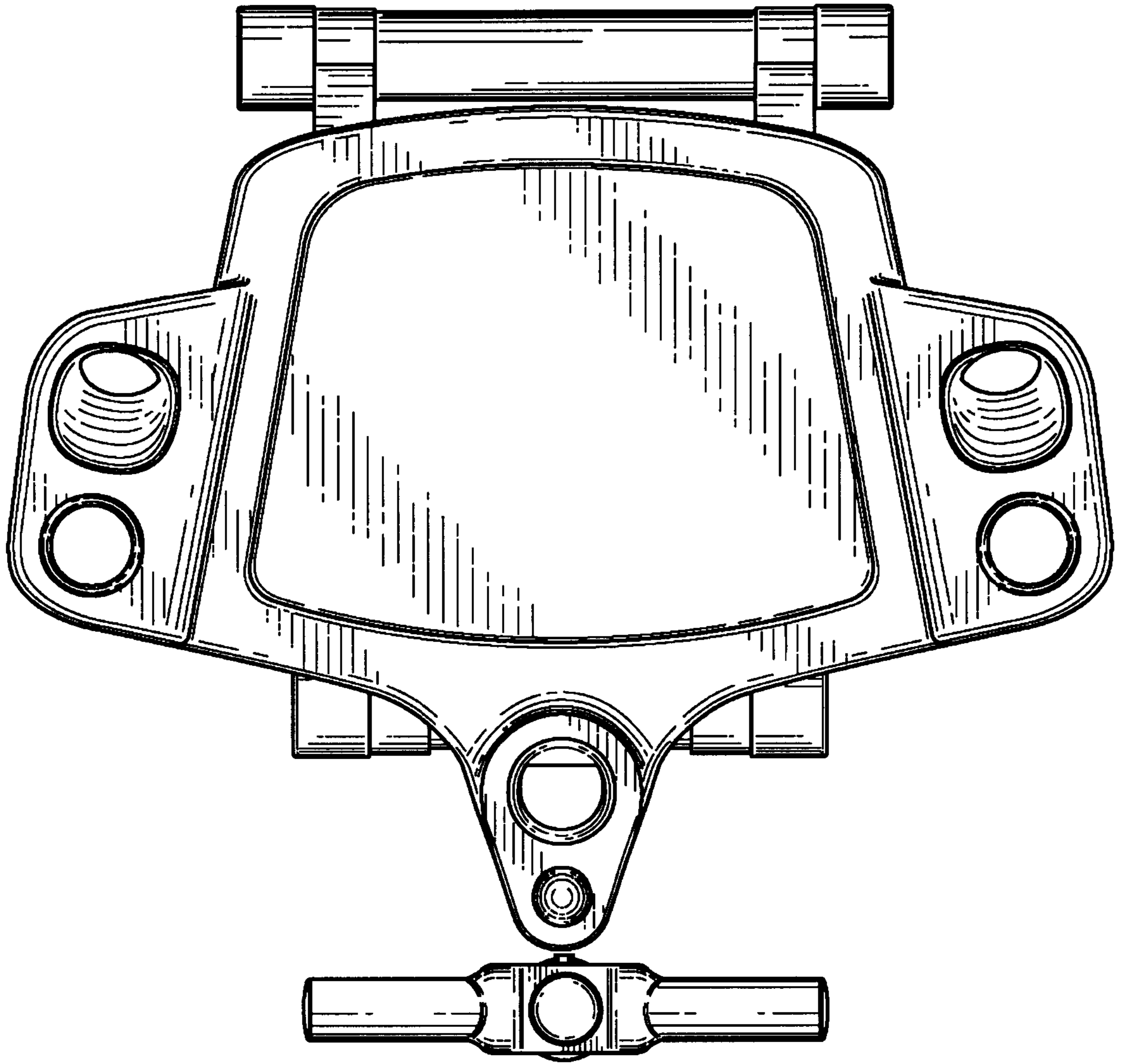


FIG. 4

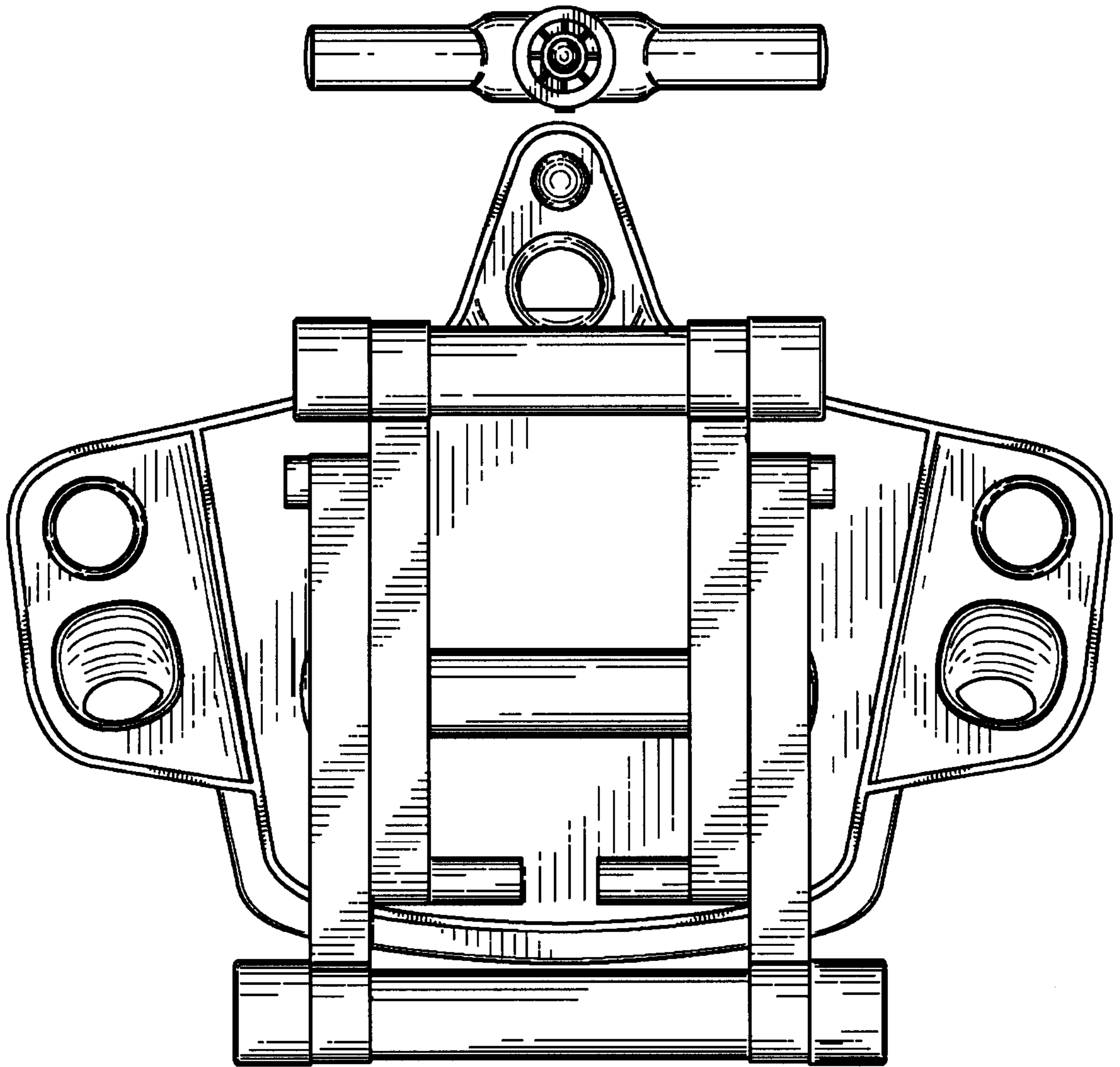


FIG. 5

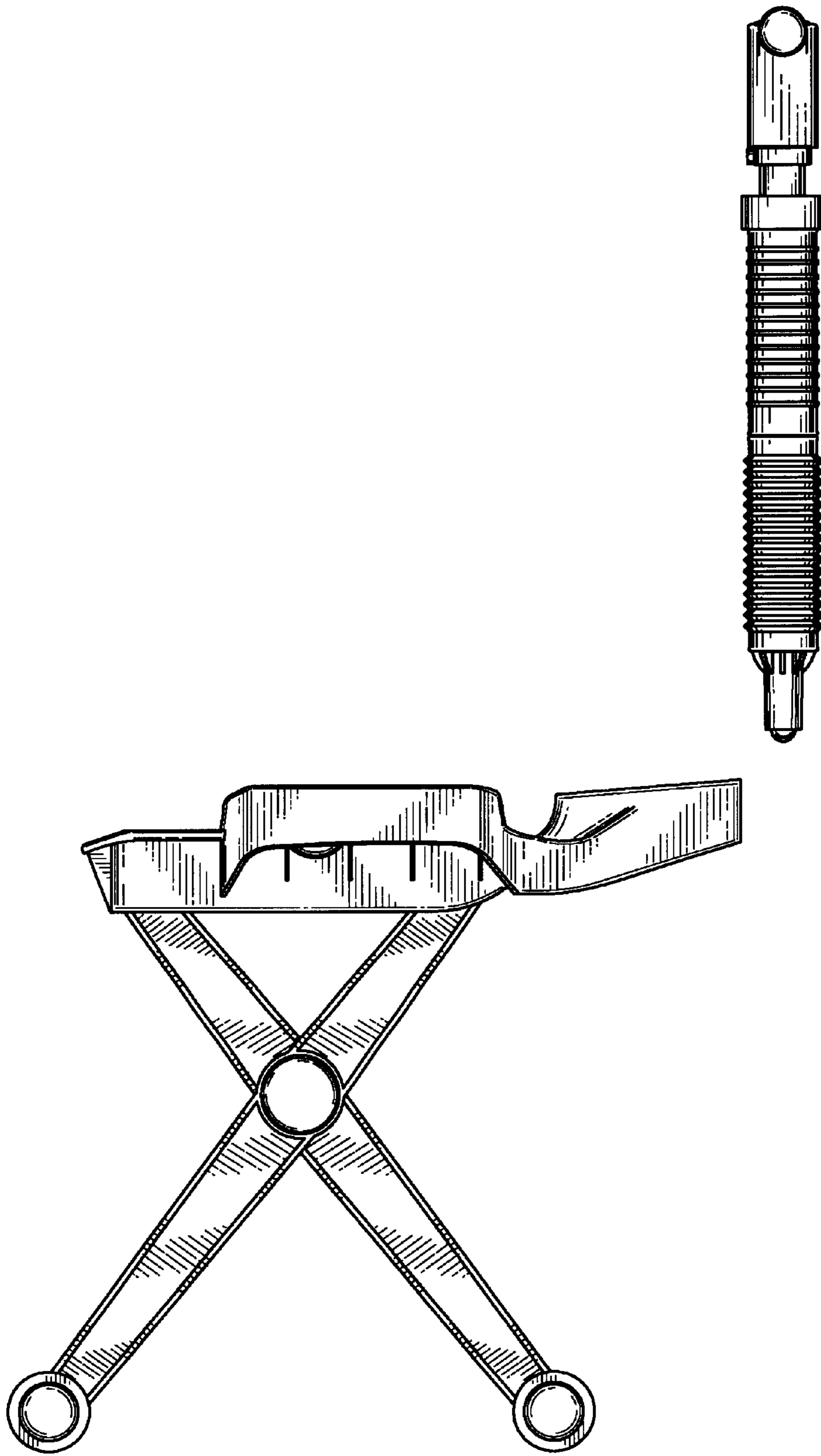


FIG. 6

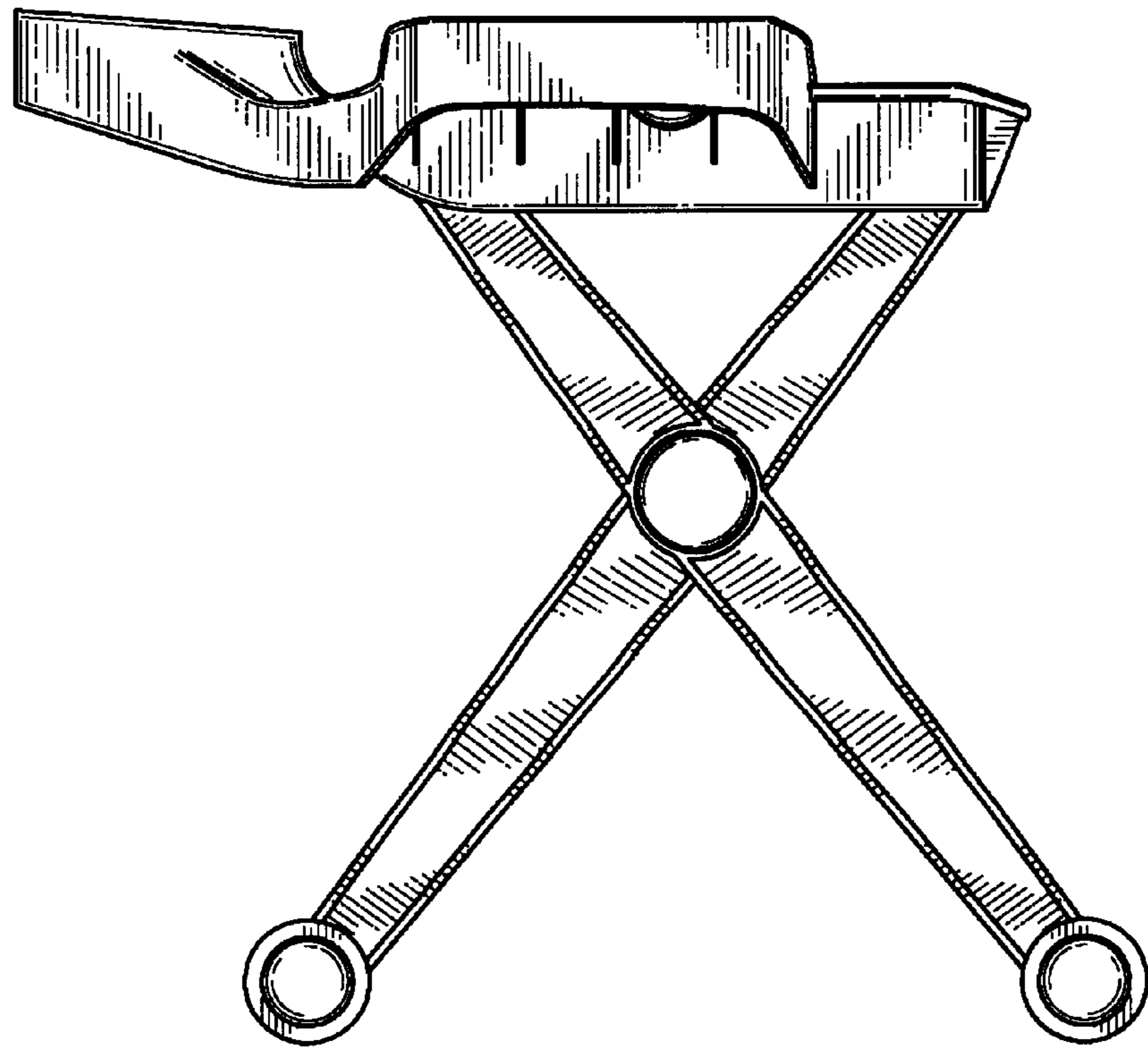
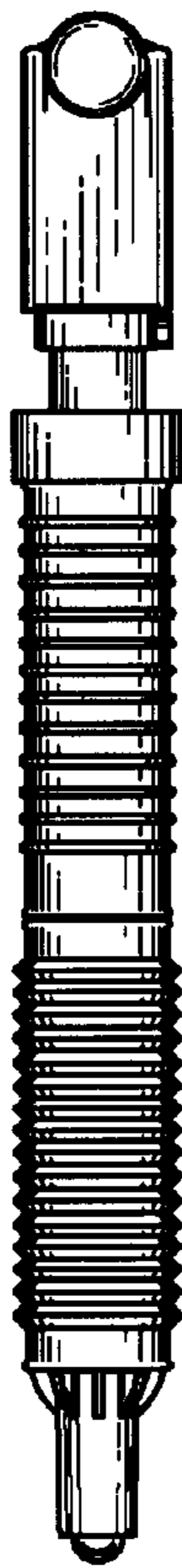


FIG. 7



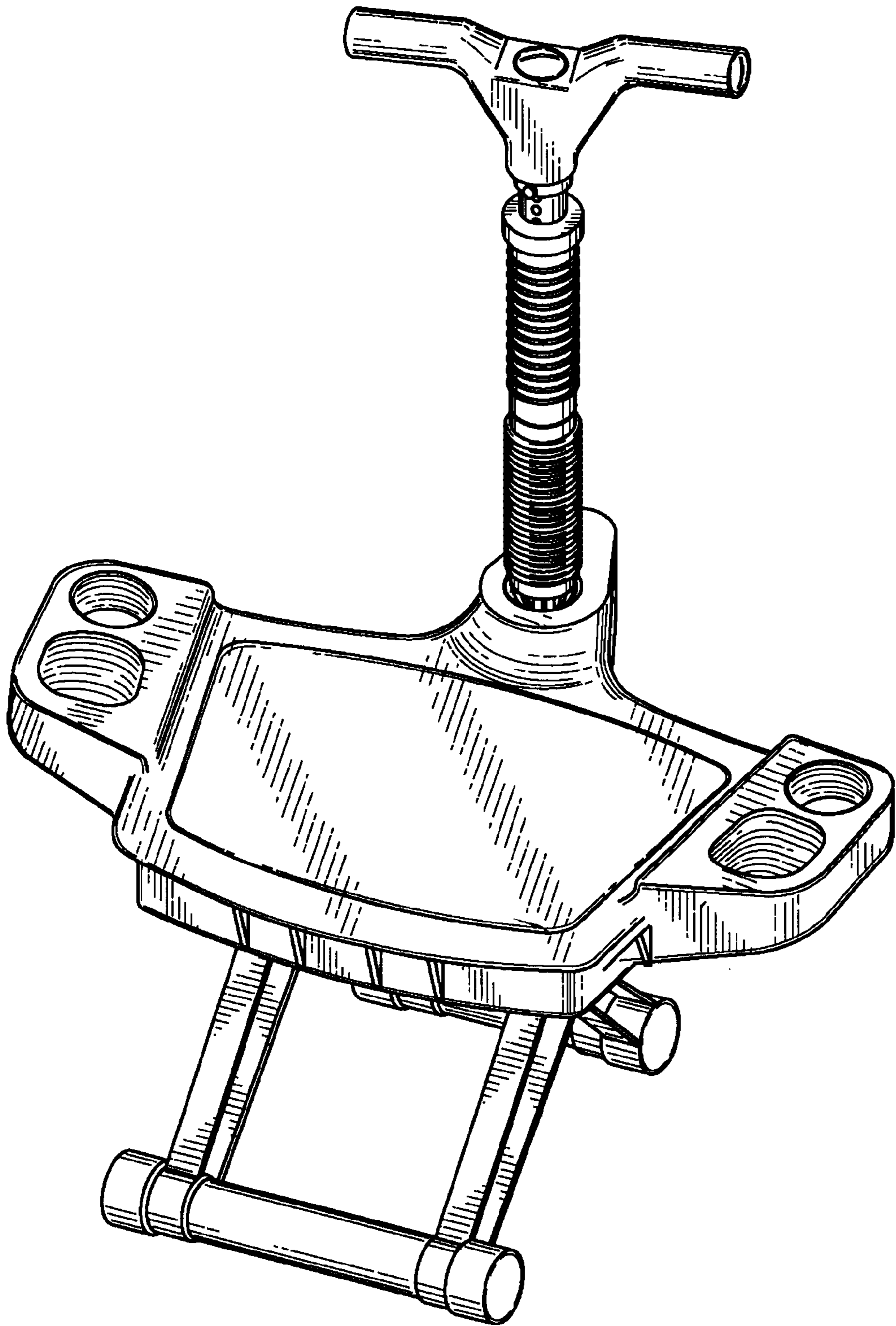


FIG. 8

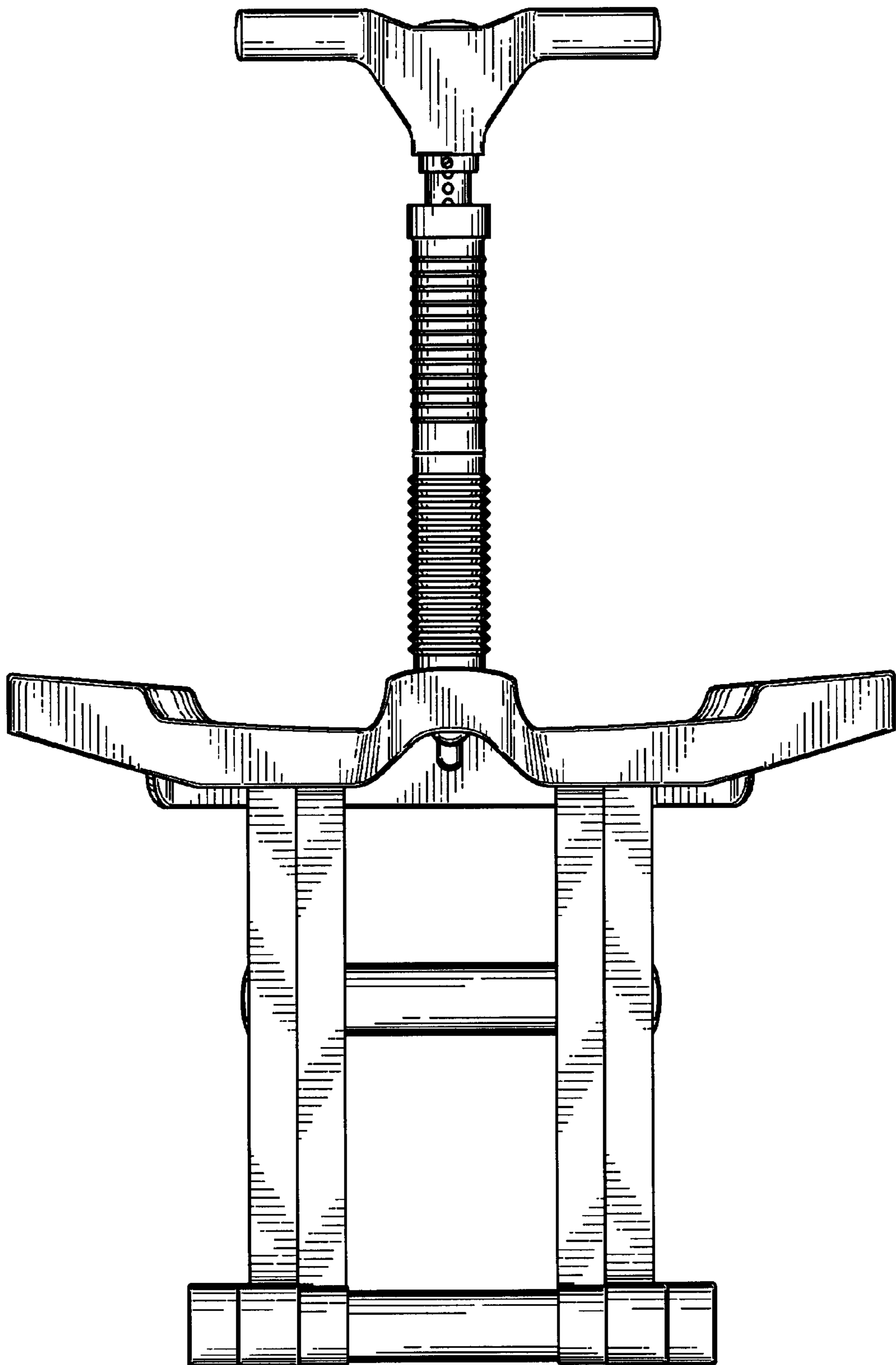


FIG. 9

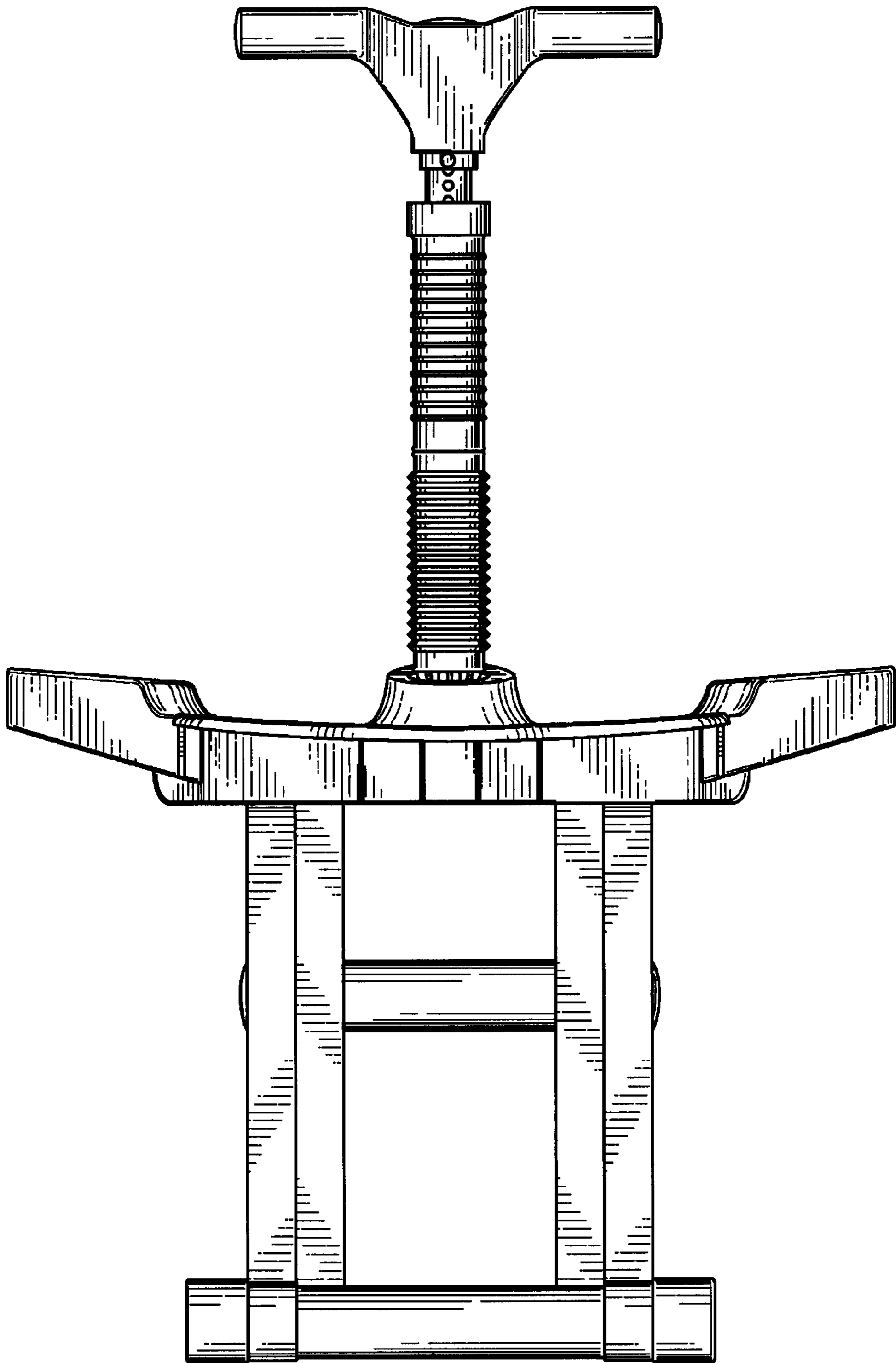


FIG. 10

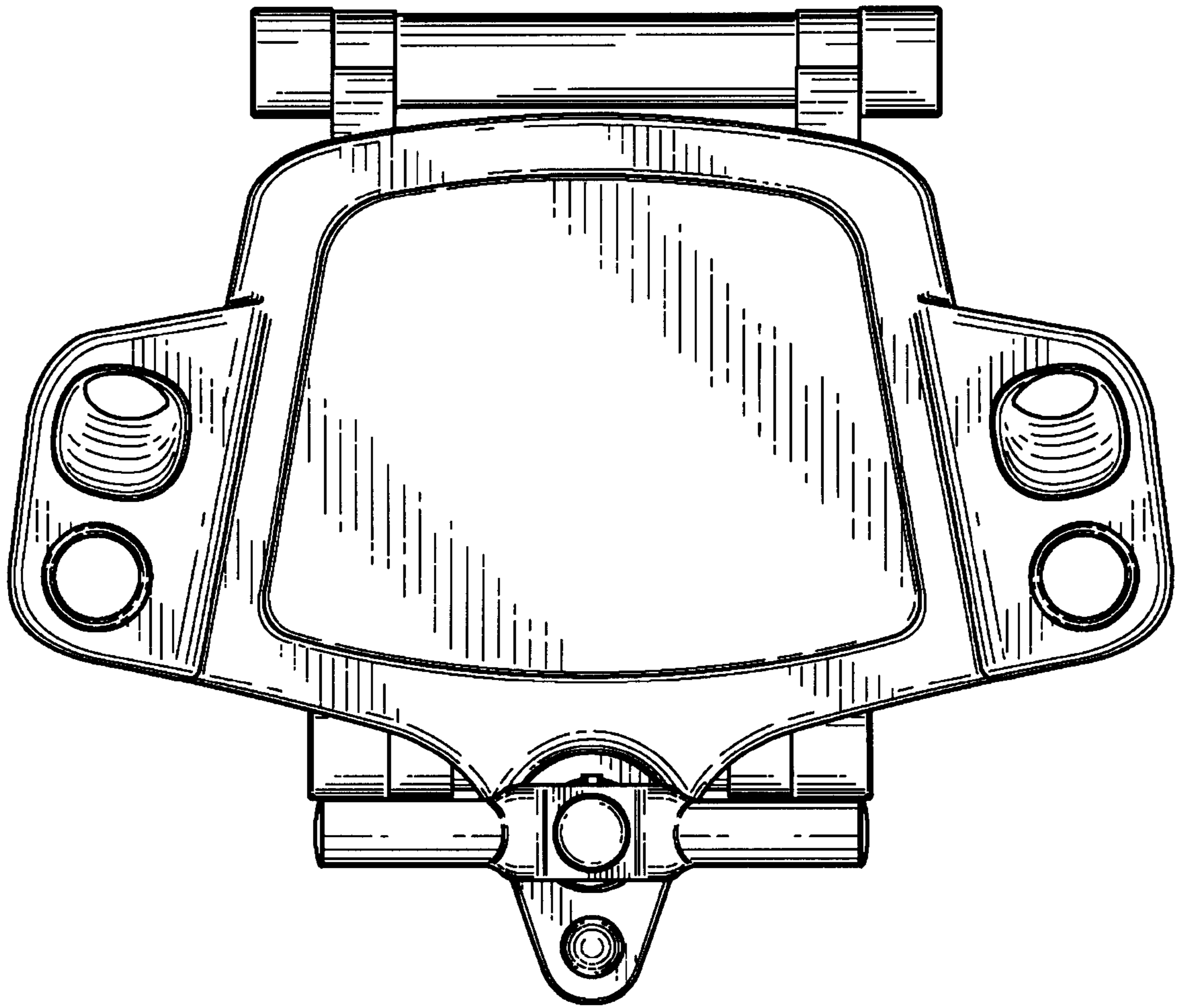


FIG. 11

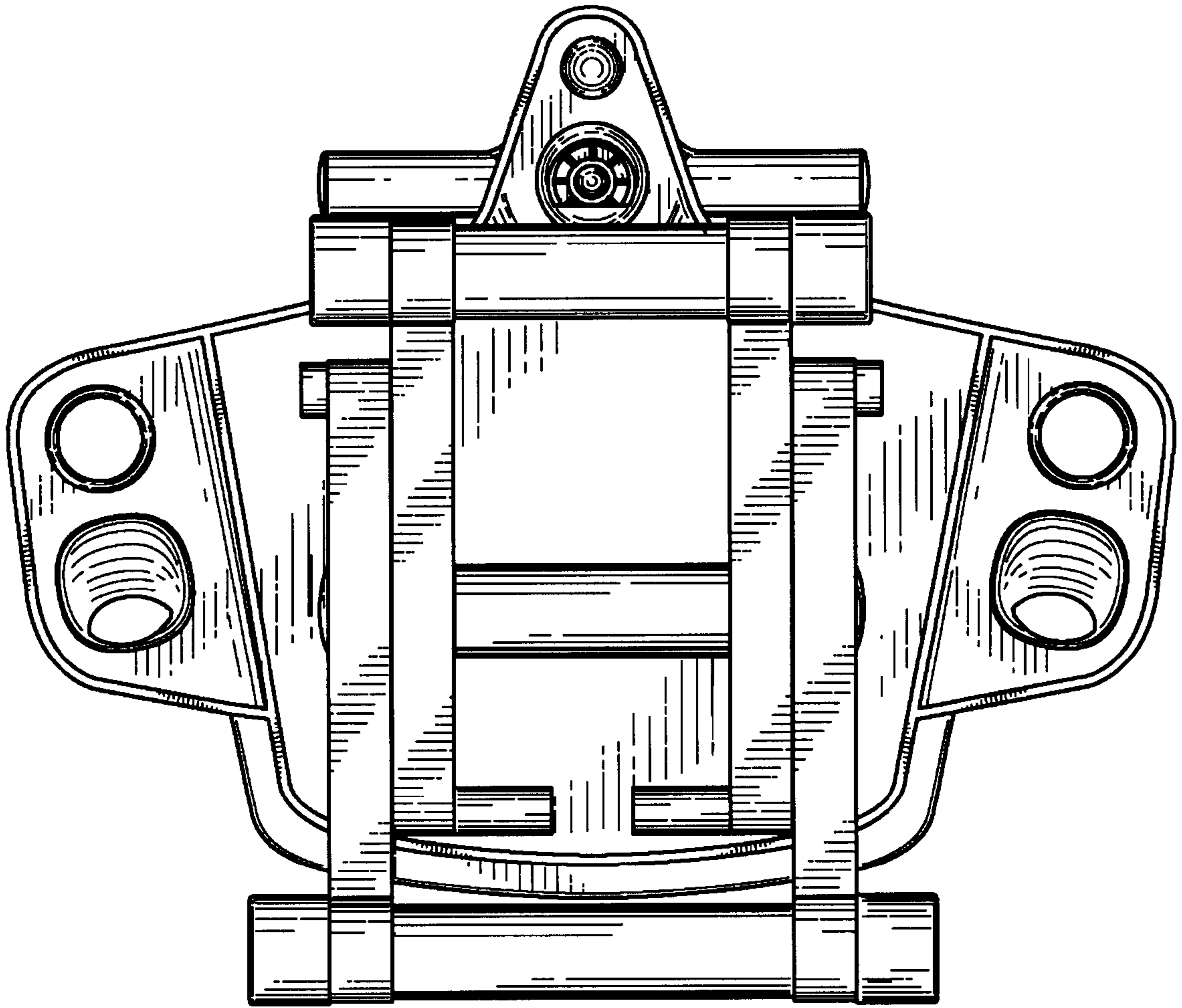


FIG. 12

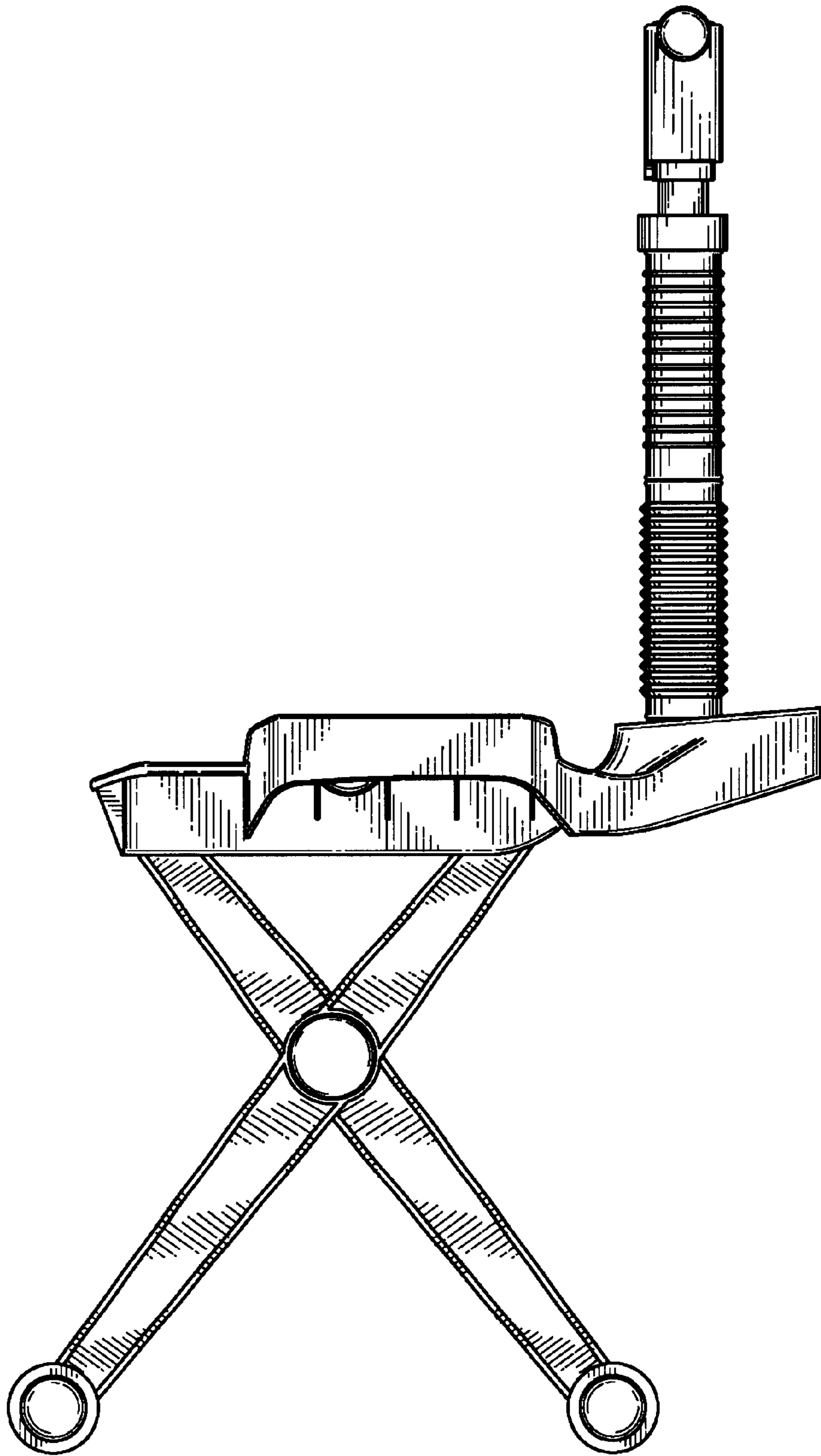


FIG. 13

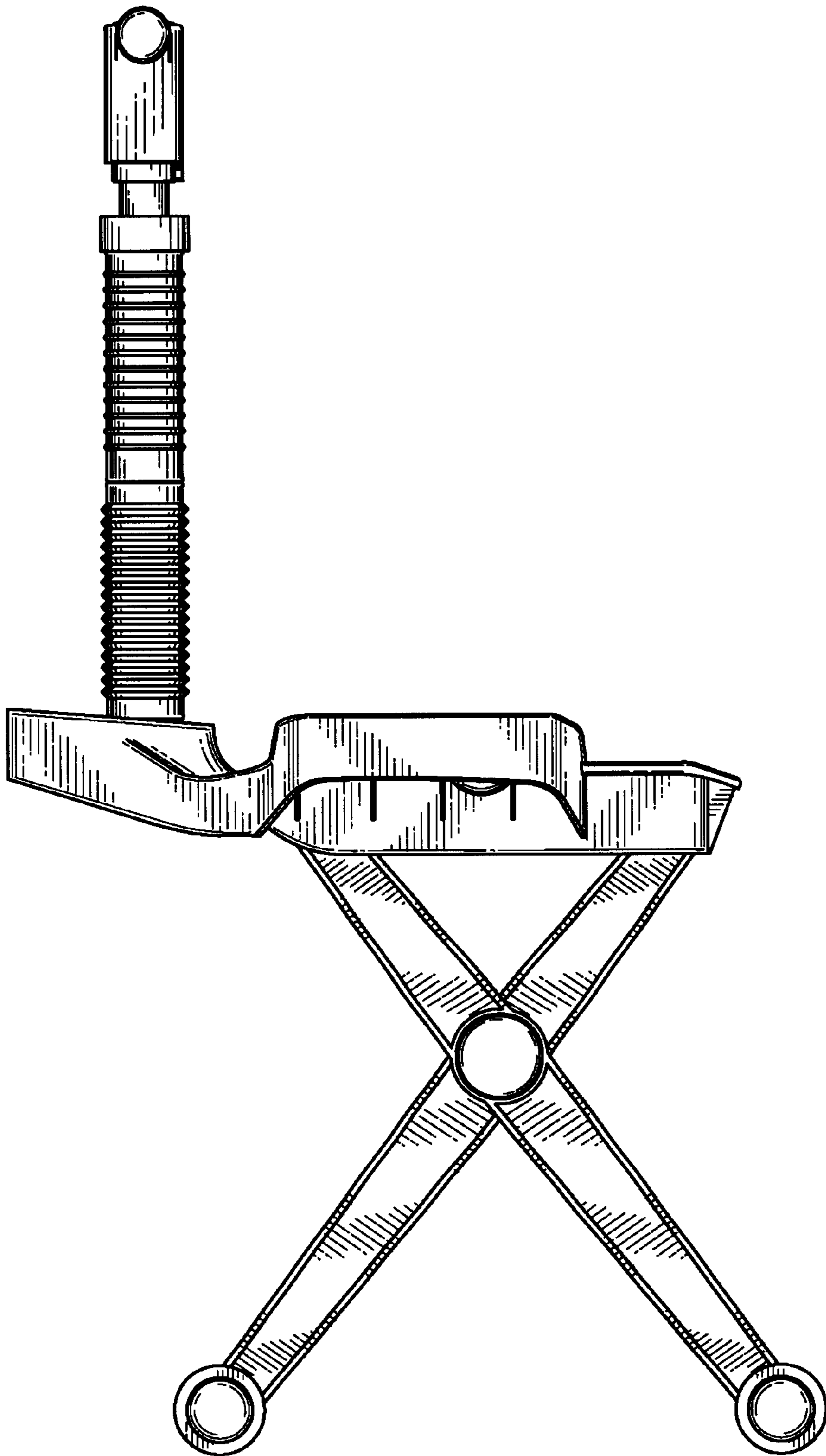


FIG. 14