



US00D480433S

(12) **United States Design Patent**  
**Wildrick**

(10) **Patent No.:** **US D480,433 S**

(45) **Date of Patent:** **\*\* Oct. 7, 2003**

(54) **LABEL HOLDER WITH INTEGRAL MOUNTING**

(75) **Inventor:** **Richard J. Wildrick**, Hunlock Creek, PA (US)

(73) **Assignee:** **Trion Industries, Inc.**, Wilkes-Barre, PA (US)

(\*\*) **Term:** **14 Years**

(21) **Appl. No.:** **29/145,808**

(22) **Filed:** **Jul. 30, 2001**

(51) **LOC (7) Cl.** ..... **20-03**

(52) **U.S. Cl.** ..... **D20/43**

(58) **Field of Search** ..... D20/10, 40, 42, D20/43, 44, 99; D25/119, 121, 122, 124; 40/124.01, 584, 642.01, 649, 653, 654.01, 661; 52/522

(56) **References Cited**

**U.S. PATENT DOCUMENTS**

- 4,319,731 A \* 3/1982 Pfeifer ..... 40/651
- 4,593,824 A \* 6/1986 Pfeifer ..... 40/651
- D289,780 S \* 5/1987 Kenney ..... D20/44
- D296,707 S \* 7/1988 Vea ..... D20/44
- 5,044,104 A \* 9/1991 Hopperdietzel ..... 40/654.01
- 5,197,215 A \* 3/1993 Torsleff ..... 40/649

- 5,236,163 A \* 8/1993 Valiulis ..... 248/220.4
- 5,456,034 A \* 10/1995 Lewis et al. .... 40/666
- 6,266,906 B1 \* 7/2001 Nagel ..... 40/661.03
- 6,269,571 B1 \* 8/2001 Thalenfeld ..... 40/642.01
- D454,593 S \* 3/2002 Kosir ..... D20/44
- 6,430,857 B1 \* 8/2002 Nagel ..... 40/661

**OTHER PUBLICATIONS**

Snap Lock (TM) Label Holder, Southern Imperial, Inc. 1999 Catalog, p. 14.\*

\* cited by examiner

*Primary Examiner*—Robert M. Spear

(74) *Attorney, Agent, or Firm*—Schweitzer Cornman Gross & Bondell LLP

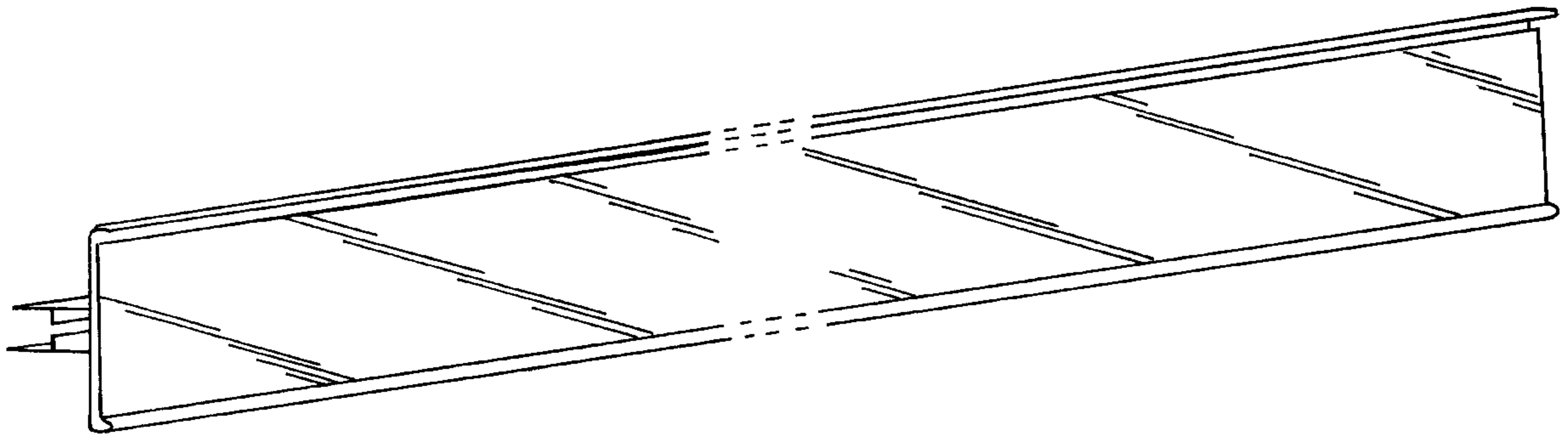
(57) **CLAIM**

The ornamental design for a label holder with integral mounting, as shown and described.

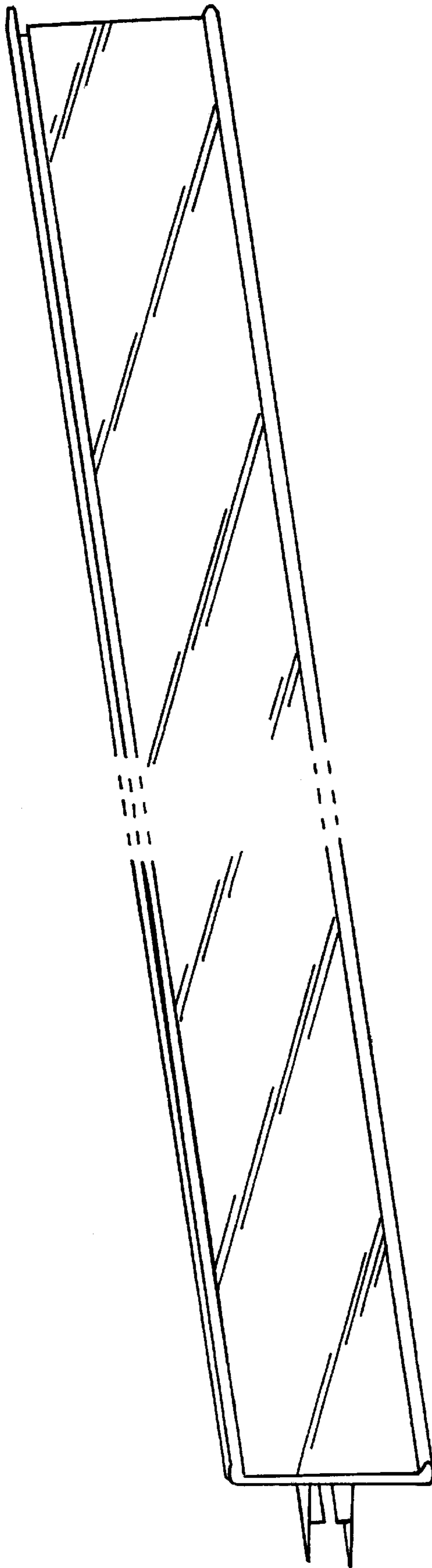
**DESCRIPTION**

FIG. 1 is a front perspective view of a preferred embodiment of label holder with integral mounting according to the invention, wherein the label holder has a length which is a large multiple of its height (e.g., up to around 34 to 1) and is therefore shown in an interrupted length; and, FIG. 2 is a back perspective view thereof.

**1 Claim, 2 Drawing Sheets**



**FIG. 1**



**FIG. 2**

