



US00D480430S

(12) **United States Design Patent** (10) **Patent No.:** **US D480,430 S**  
**Hammond et al.** (45) **Date of Patent:** **\*\* Oct. 7, 2003**

(54) **NEWSPAPER AND OTHER ARTICLE DISPENSING DEVICE**

**FOREIGN PATENT DOCUMENTS**

(75) Inventors: **Brian Carl Hammond**, Richfield, MN (US); **Christian R. Trifilio**, St. Paul, MN (US)

DE	3333463	4/1985
JP	07-216946	8/1995

**OTHER PUBLICATIONS**

(73) Assignee: **Linkup, Inc.**, St. Louis Park, MN (US)

Website Doc, Go Plastics Inc.; StreetSmart!®, Model SS-1 for Magazines; color product brochure; 2 pages.  
Website Doc, Go Plastics Inc.; StreetSmart!® Model SS-9 for 6 Magazines; color product brochure; 2 pages.

(\*\*) Term: **14 Years**

\* cited by examiner

(21) Appl. No.: **29/165,644**

(22) Filed: **Aug. 13, 2002**

*Primary Examiner*—Robert M. Spear  
(74) *Attorney, Agent, or Firm*—Merchant & Gould P.C.

(51) **LOC (7) Cl.** ..... **20-01**

(52) **U.S. Cl.** ..... **D20/6**

(58) **Field of Search** ..... D20/1-9; D21/325, D21/369; 194/245, 247, 255, 258, 281, 350; 221/155, 208, 240, 245, 284; 40/1, 312; 232/1, 1 C, 39; 248/362.1

(57) **CLAIM**

The ornamental design for a newspaper and other article dispensing device, as shown and described.

**DESCRIPTION**

(56) **References Cited**

**U.S. PATENT DOCUMENTS**

847,117 A	3/1907	Salmon	
2,807,387 A	9/1957	Siciliano	
D200,755 S	* 4/1965	Sebastian	D20/1
D213,532 S	3/1969	Yeo	
D219,479 S	12/1970	Perkins	
3,863,874 A	2/1975	Pirovano	
4,588,123 A	5/1986	Plew	
4,602,721 A	7/1986	Hicks	
D287,513 S	* 12/1986	Chalabian	D20/6
4,787,687 A	11/1988	Merl	
4,919,250 A	4/1990	Olson et al.	
D342,970 S	* 1/1994	Schwarzli	D20/7
5,313,725 A	* 5/1994	DeVassie	40/312
5,356,212 A	10/1994	Okopny	
5,394,997 A	3/1995	Gollob	
5,893,615 A	4/1999	Hendricks	
D414,515 S	9/1999	Berckenhoff et al.	
6,318,627 B1	11/2001	Koebbe	

FIG. 1 is a front perspective view of a newspaper and other article dispensing device;  
FIG. 2 is a rear perspective view thereof;  
FIG. 3 is a front elevational view thereof;  
FIG. 4 is a rear elevational view thereof;  
FIG. 5 is a left side elevational view thereof;  
FIG. 6 is a right side elevational view thereof;  
FIG. 7 is a top plan view thereof;  
FIG. 8 is a bottom plan view thereof;  
FIG. 9 is a front perspective view of one module of the newspaper and other article dispensing device, shown separated from the device for clarity of disclosure;  
FIG. 10 is a front elevational view thereof;  
FIG. 11 is a rear elevational view thereof;  
FIG. 12 is a left side elevational view thereof;  
FIG. 13 is a right side elevational view thereof;  
FIG. 14 is a top plan view thereof; and,  
FIG. 15 is a bottom plan view thereof.

**1 Claim, 7 Drawing Sheets**

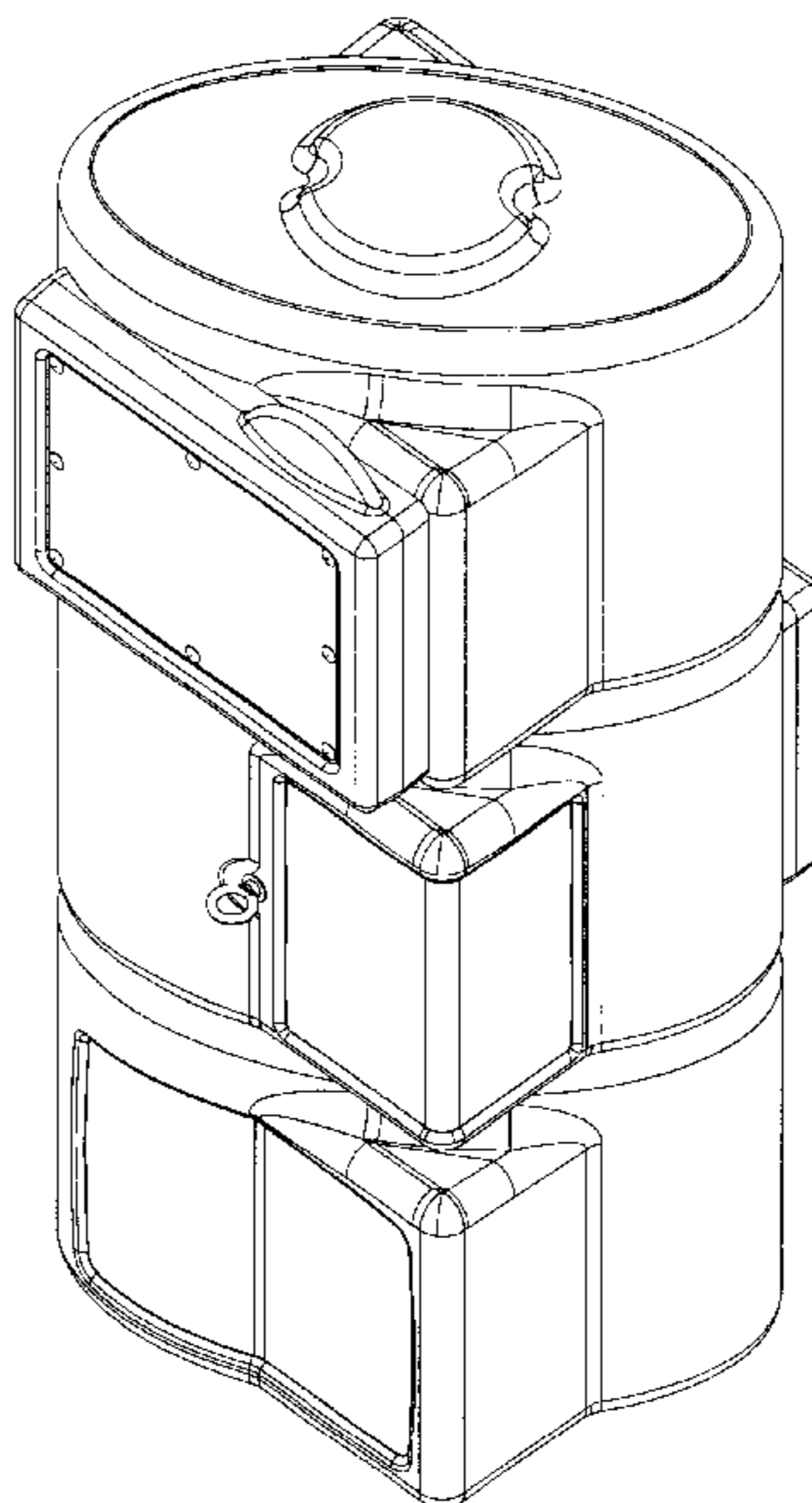


FIG. 1

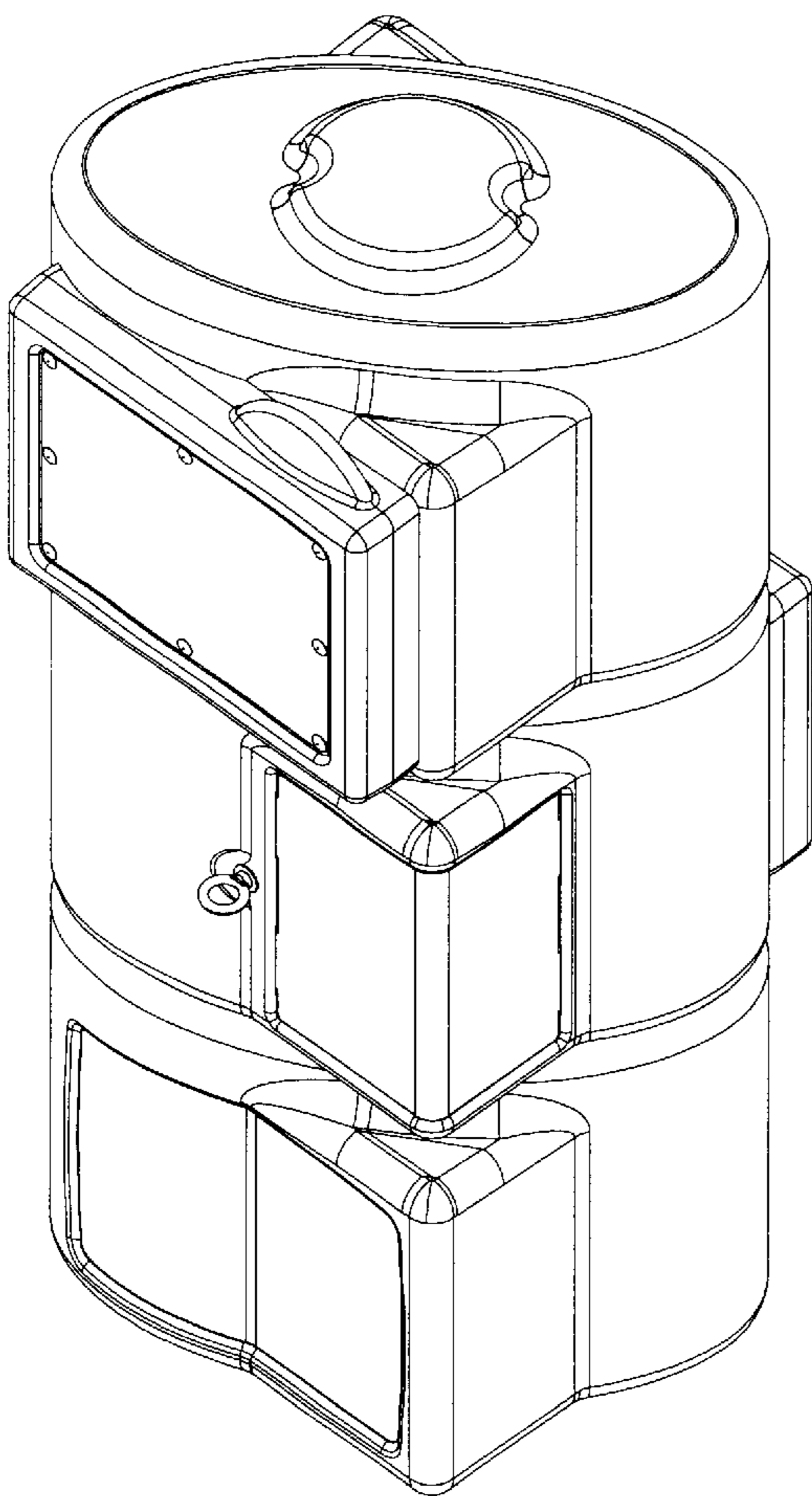


FIG. 2

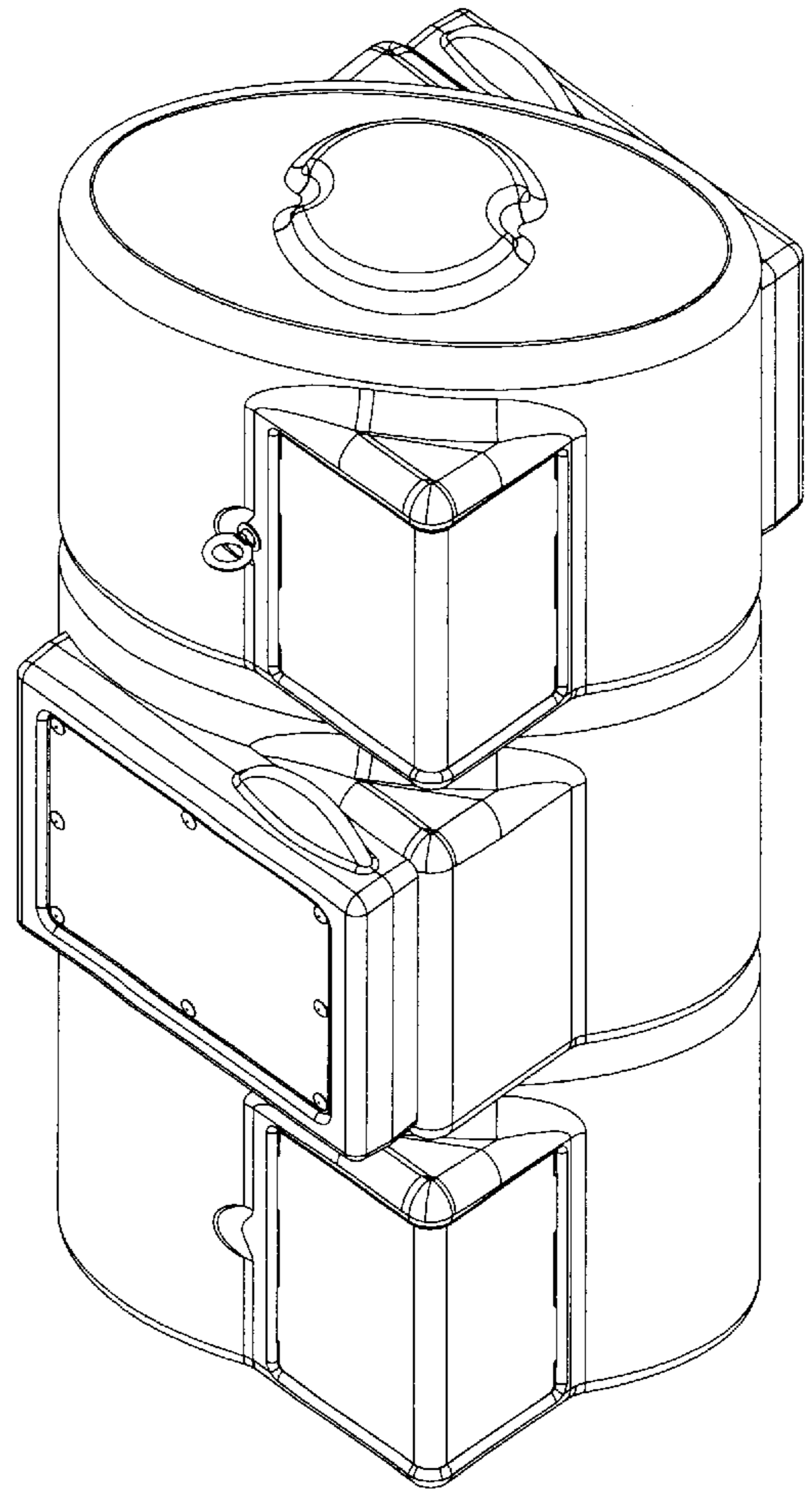


FIG. 3

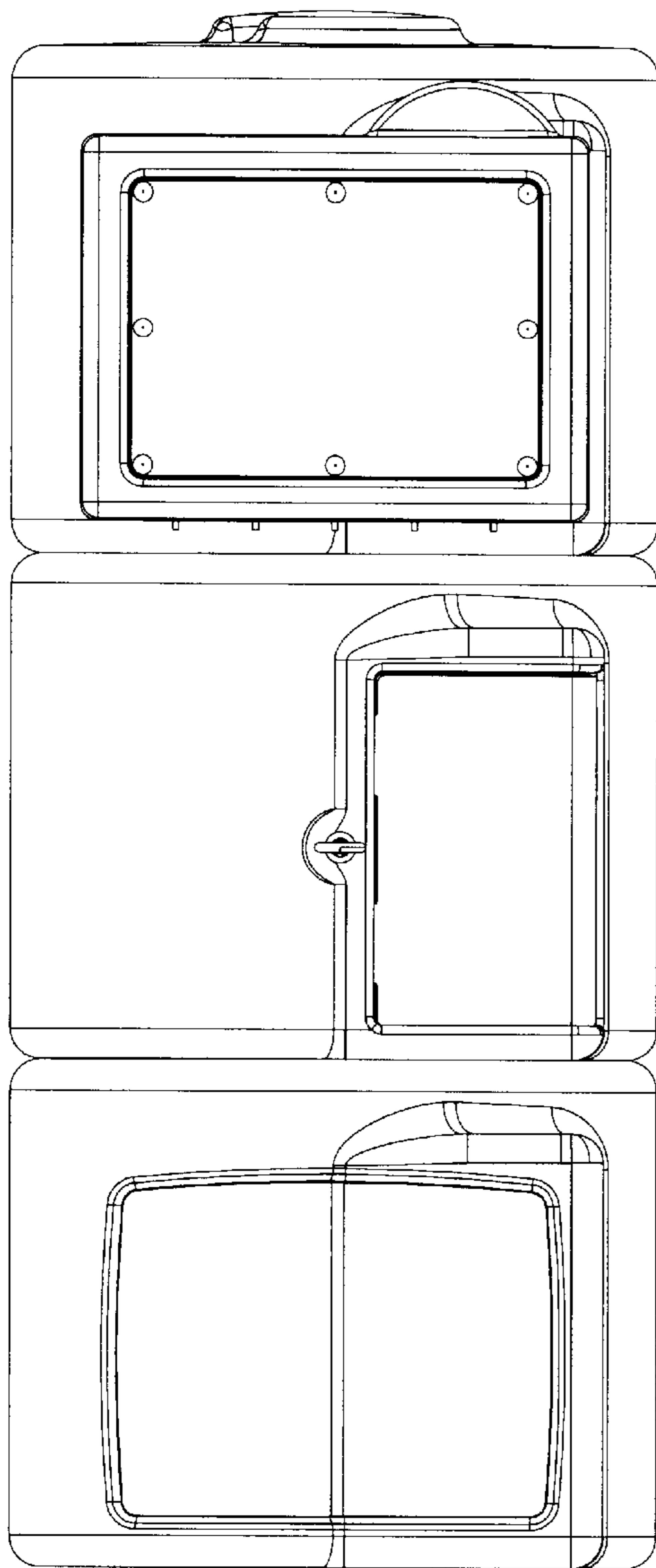


FIG. 4

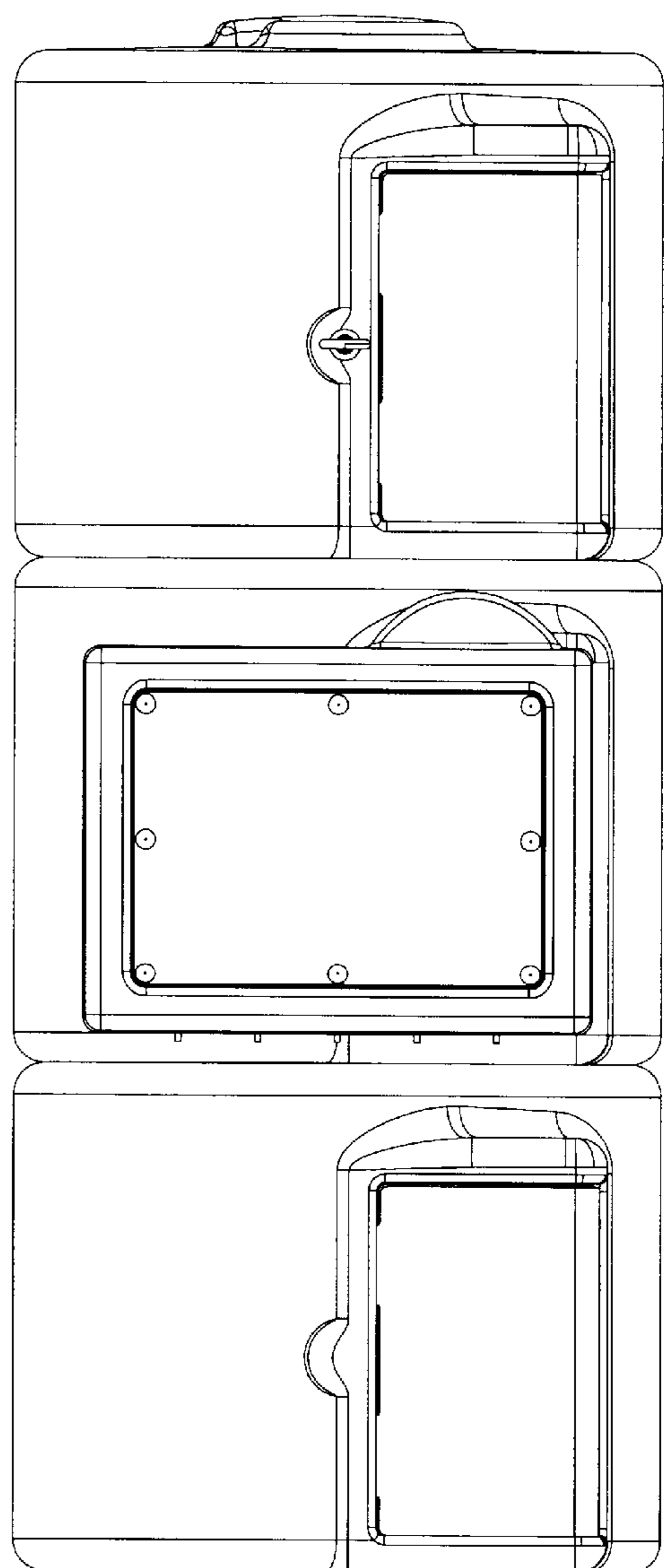


FIG. 5

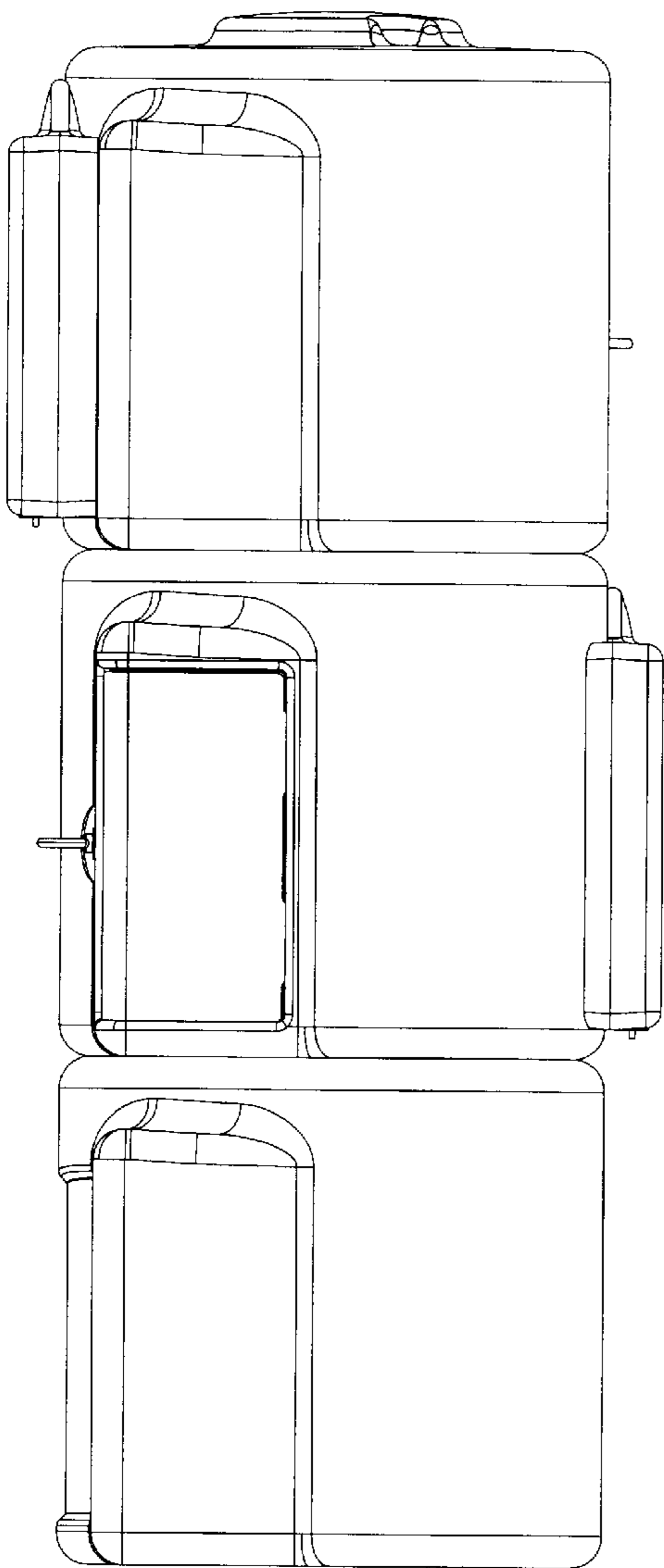


FIG. 6

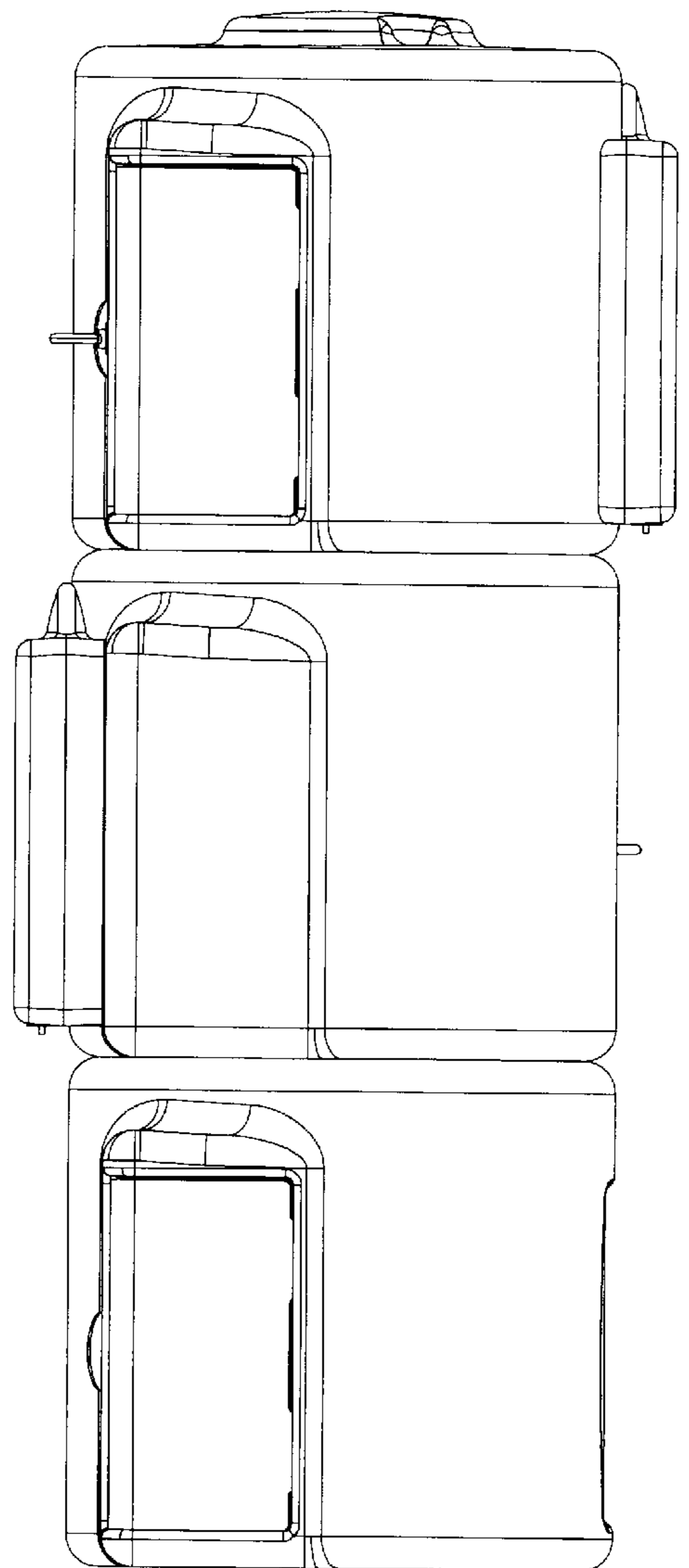


FIG. 7

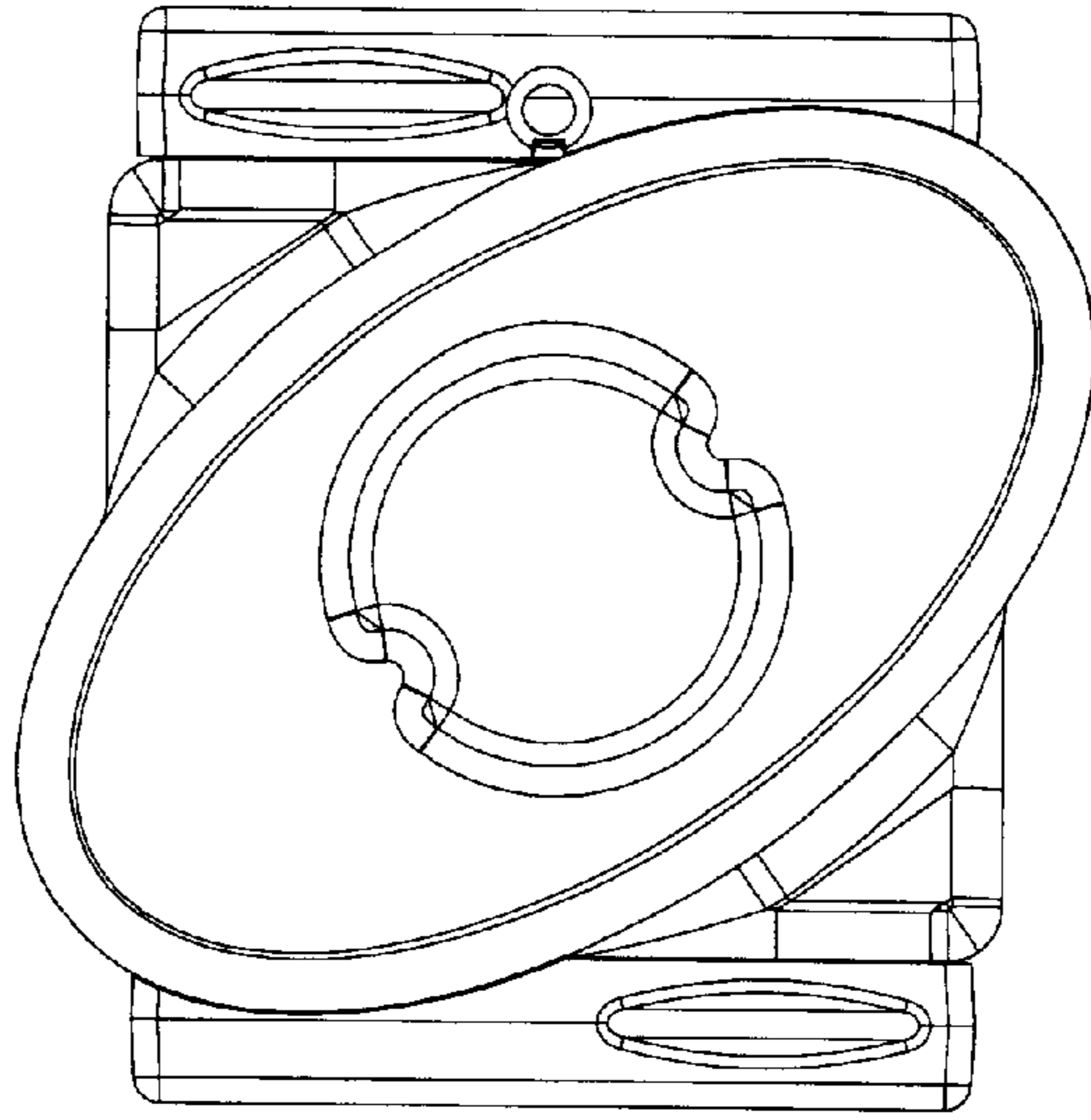
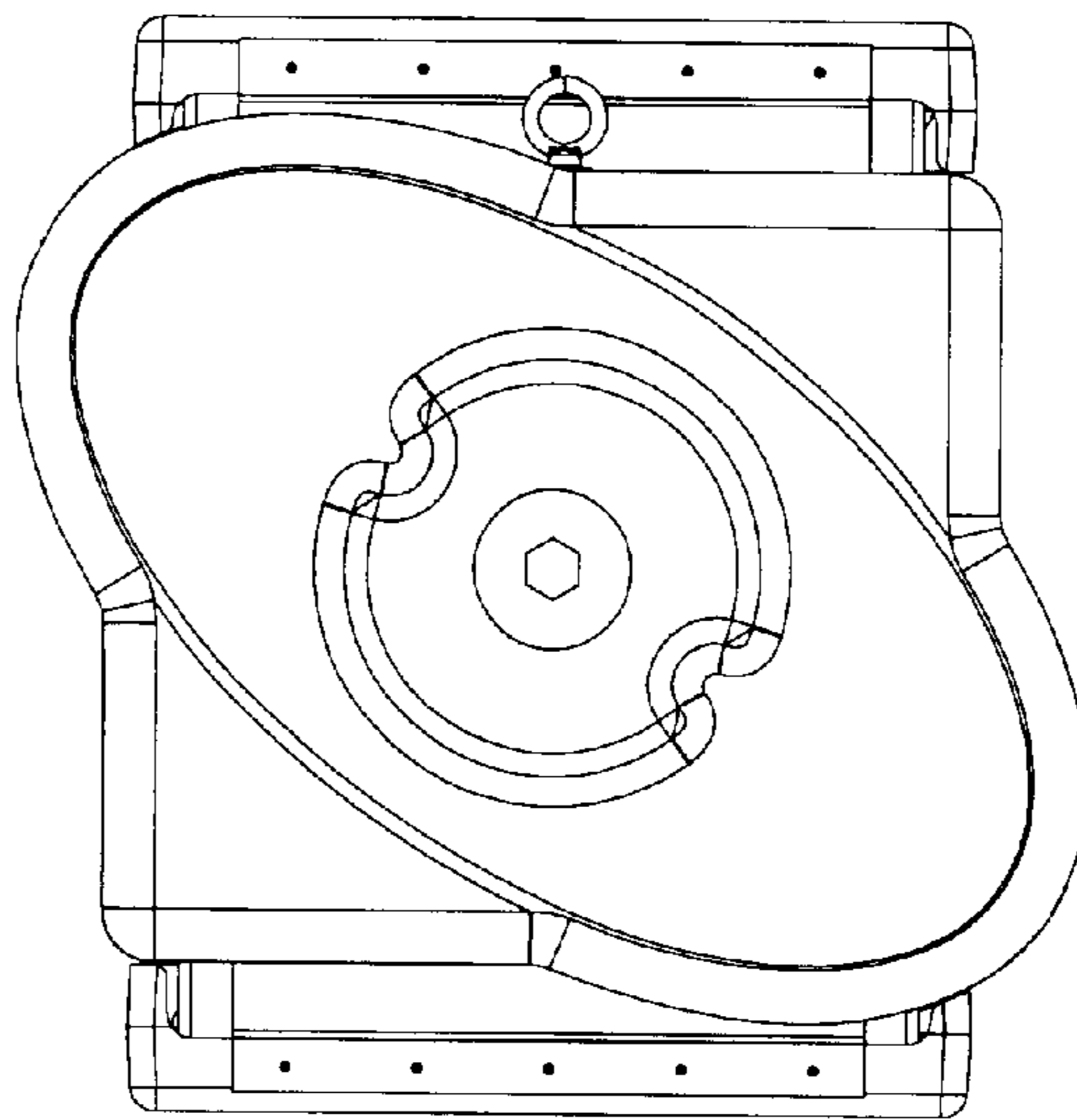


FIG. 8





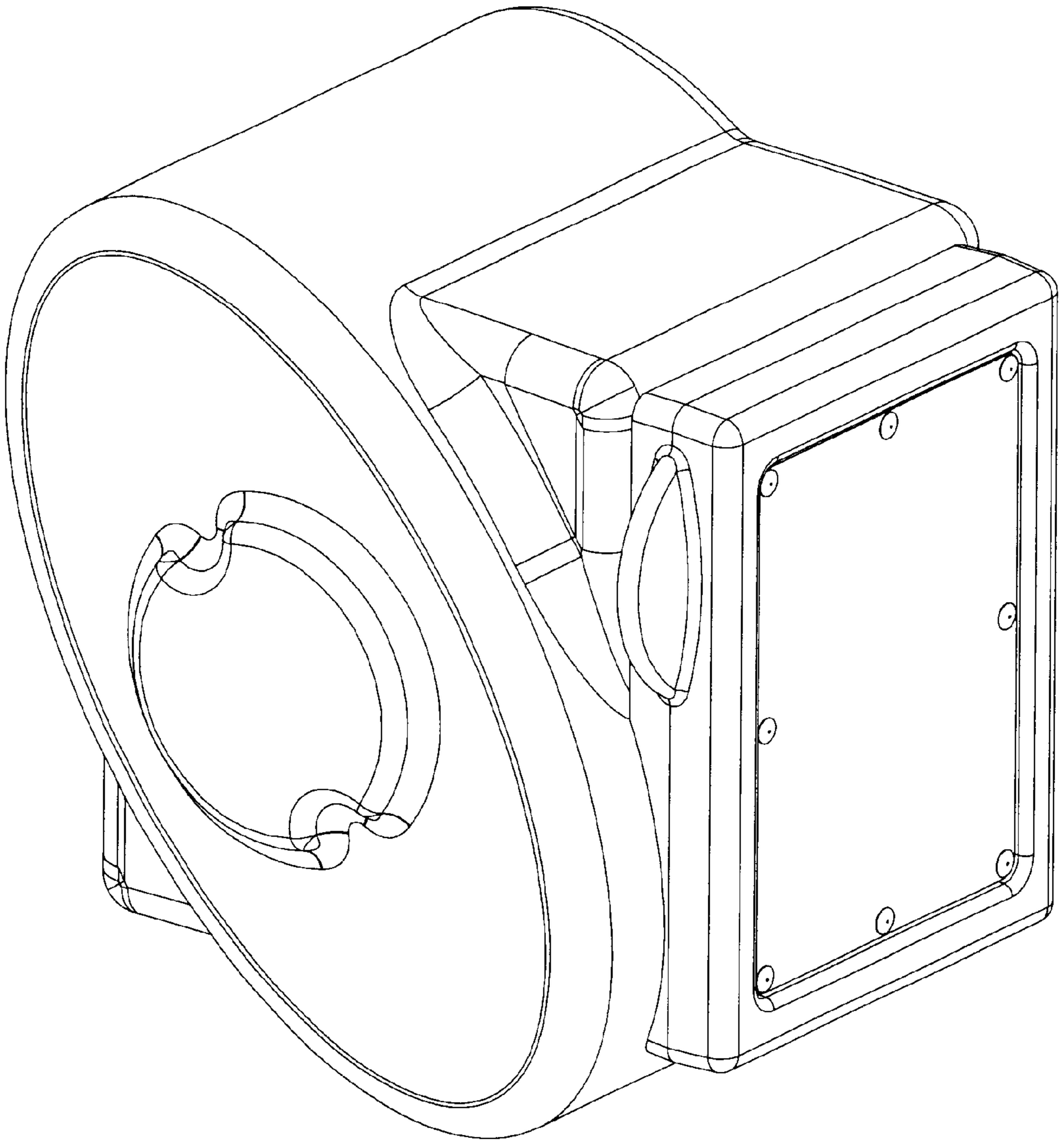


FIG. 9

FIG. 10

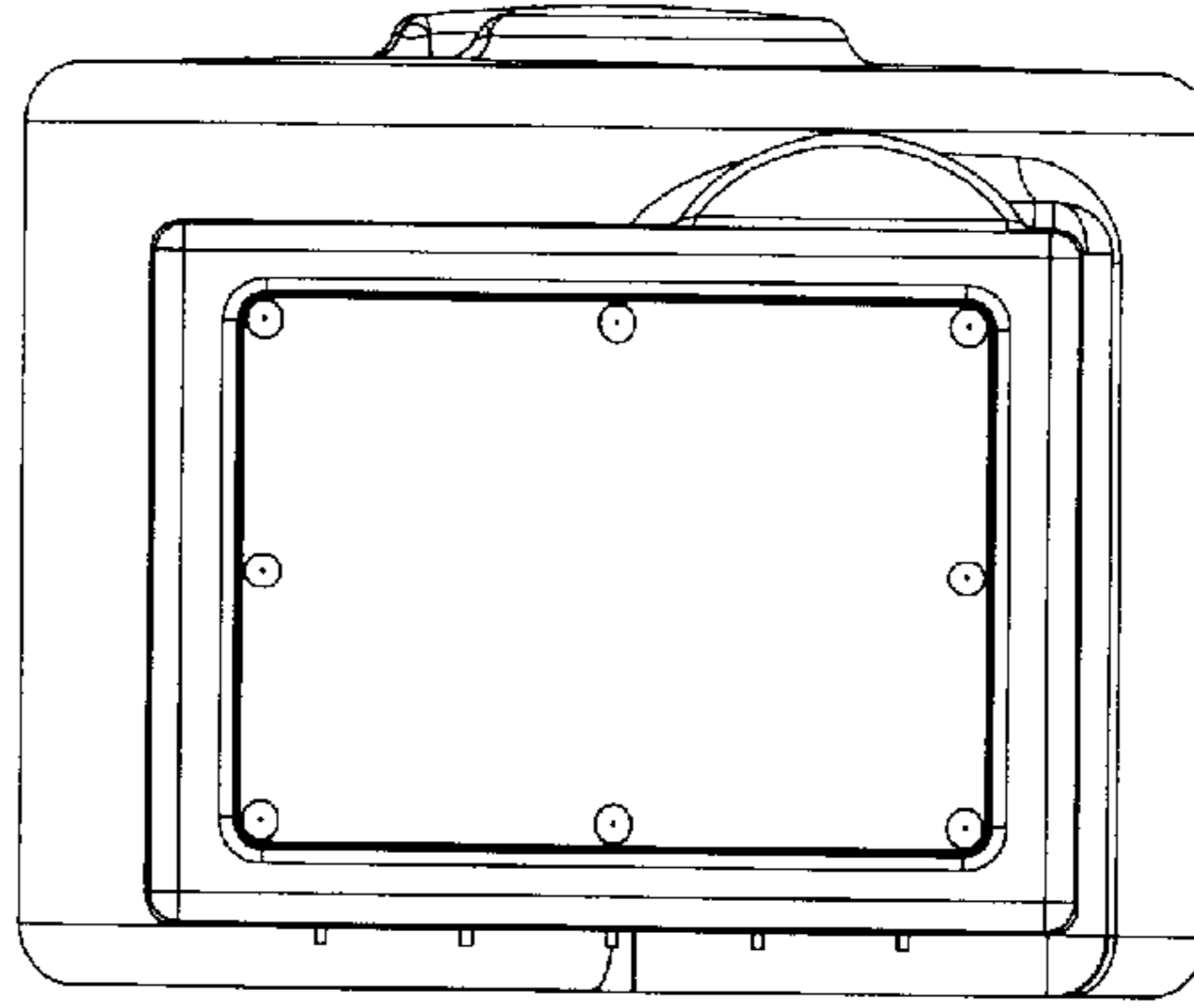


FIG. 11

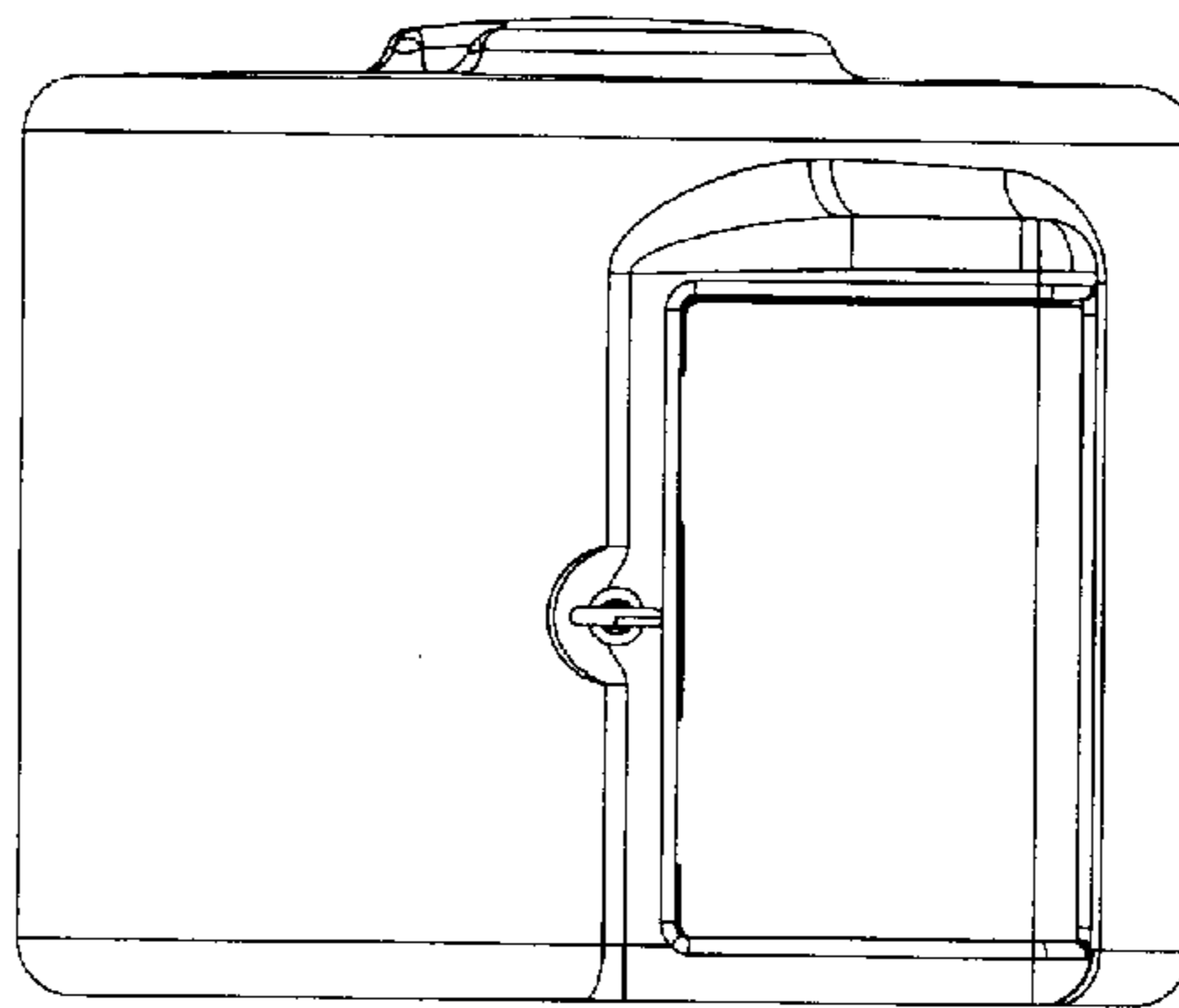


FIG. 12

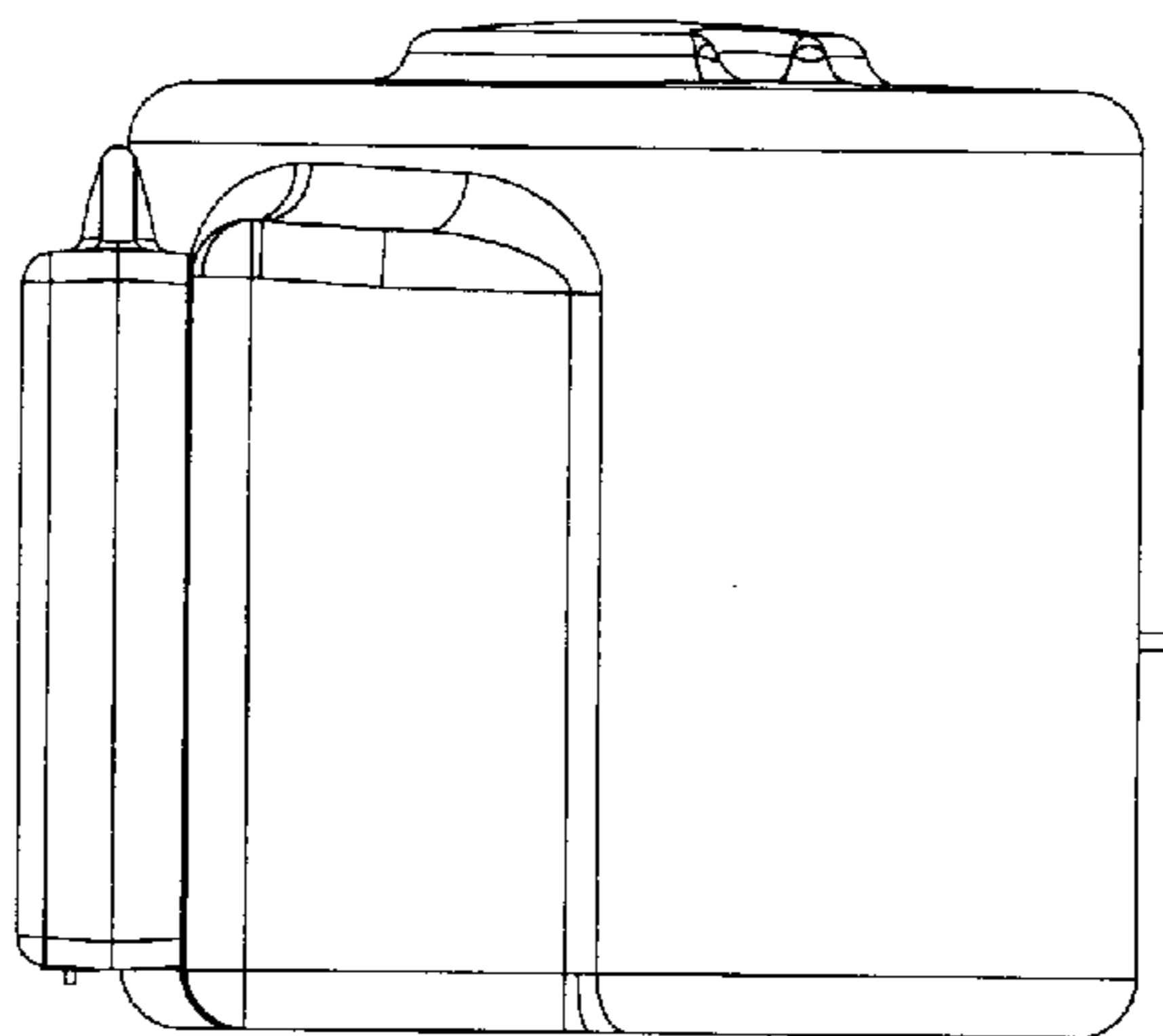


FIG. 13

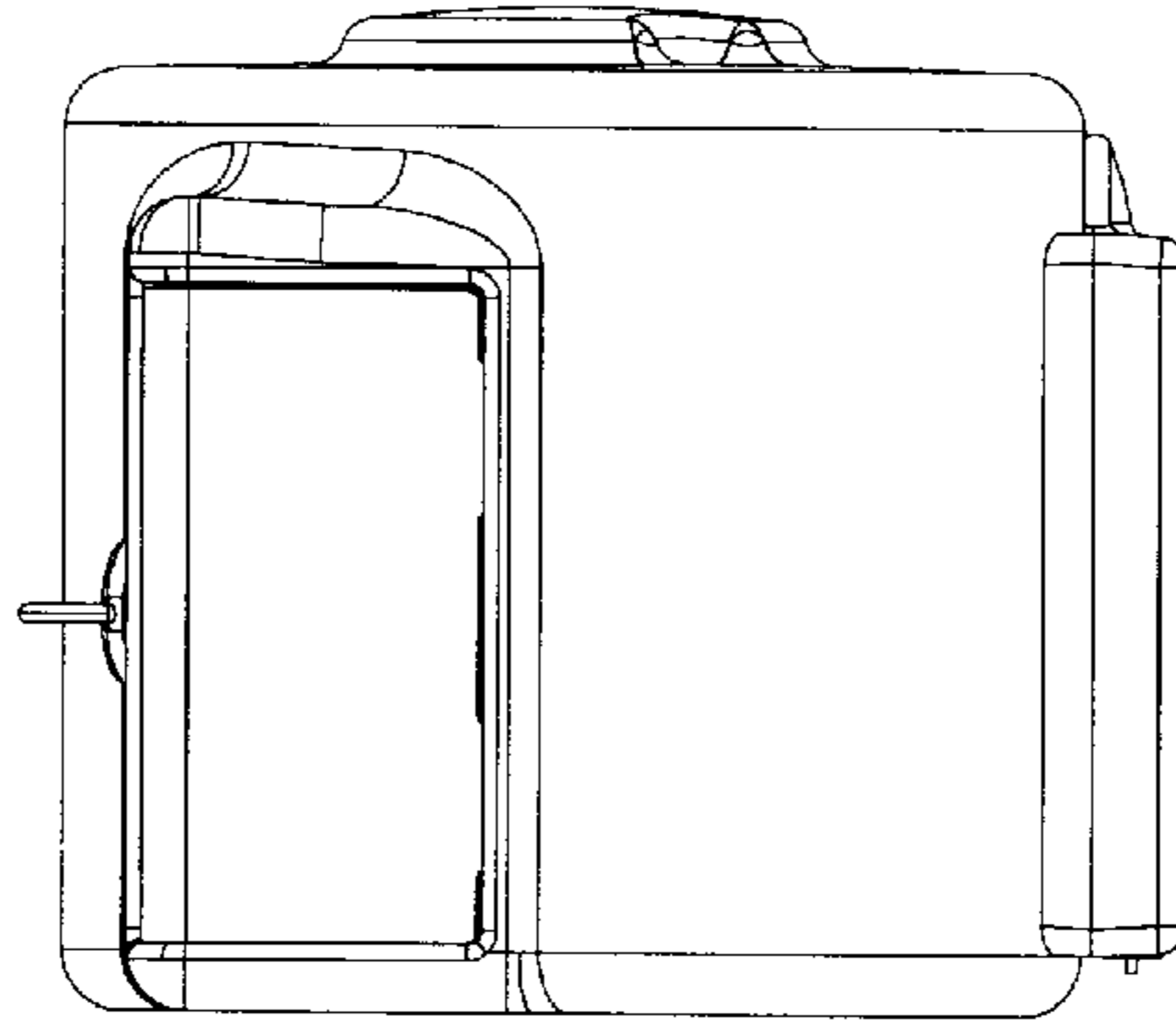


FIG. 14

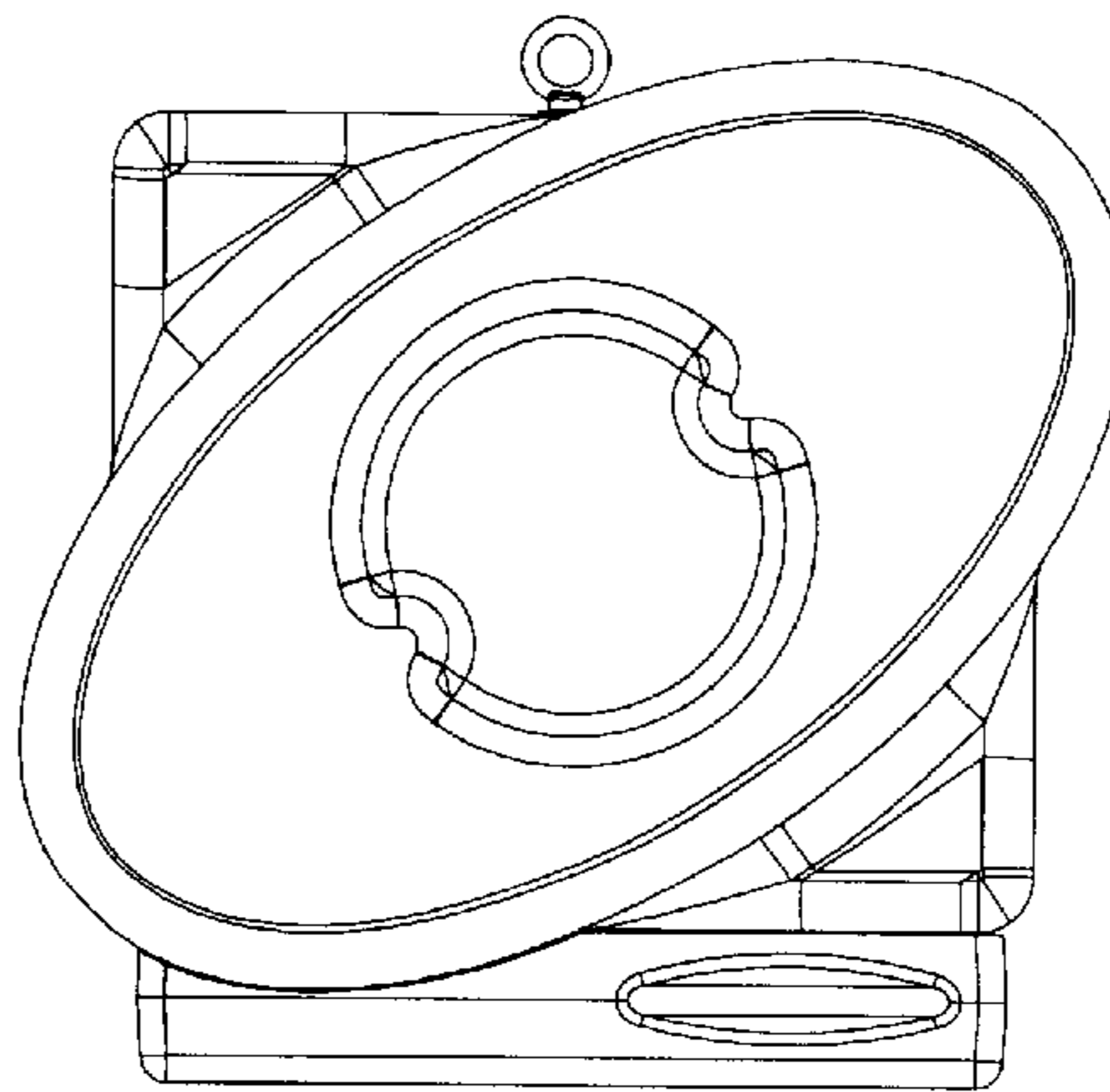


FIG. 15

