



US00D480428S

(12) **United States Design Patent**
Robertson, Jr.

(10) **Patent No.:** **US D480,428 S**

(45) **Date of Patent:** **** Oct. 7, 2003**

(54) **FRAMELESS CORK BOARD**

(76) **Inventor:** **Charles D. Robertson, Jr., c/o Ram Industries 7200 Industry Dr., North Little Rock, AR (US) 72117**

(**) **Term:** **14 Years**

(21) **Appl. No.:** **29/165,411**

(22) **Filed:** **Aug. 9, 2002**

(51) **LOC (7) Cl.** **19-02**

(52) **U.S. Cl.** **D19/90; D19/52; D20/42**

(58) **Field of Search** **D19/35, 36, 52, D19/65, 75, 78, 90, 91, 99, 100; D20/10, 39, 42; 434/408-425, 428-430; 40/1, 124.01-124.05, 904, 759, 757, 661, 780, 790, 603**

(56) **References Cited**

U.S. PATENT DOCUMENTS

1,853,065	A	4/1932	Long	
1,963,124	A	* 6/1934	Free	40/790
2,193,928	A	* 3/1940	Johnson	40/603
D122,771	S	* 10/1940	Doner	D6/300
2,228,504	A	1/1941	Braun	
3,755,053	A	8/1973	Lindahl	
4,187,630	A	* 2/1980	Giulie et al.	40/790
4,356,647	A	* 11/1982	Farris	40/759
5,173,348	A	12/1992	Gevaert	
D339,379	S	* 9/1993	Persing	D19/52
D362,868	S	* 10/1995	Calder	D20/42
5,527,568	A	6/1996	Boone	

D390,610	S	*	2/1998	Wingerei	D20/39
5,743,414	A		4/1998	Baudino		
5,809,901	A		9/1998	Gutzmer		
D410,250	S		5/1999	Robertson		
D463,493	S	*	9/2002	Beno	D19/52
D475,407	S	*	6/2003	Beno	D19/90 X

* cited by examiner

Primary Examiner—Martie K. Holtje
(74) Attorney, Agent, or Firm—Renner, Kenner, Greive, Bobak, Taylor & Weber

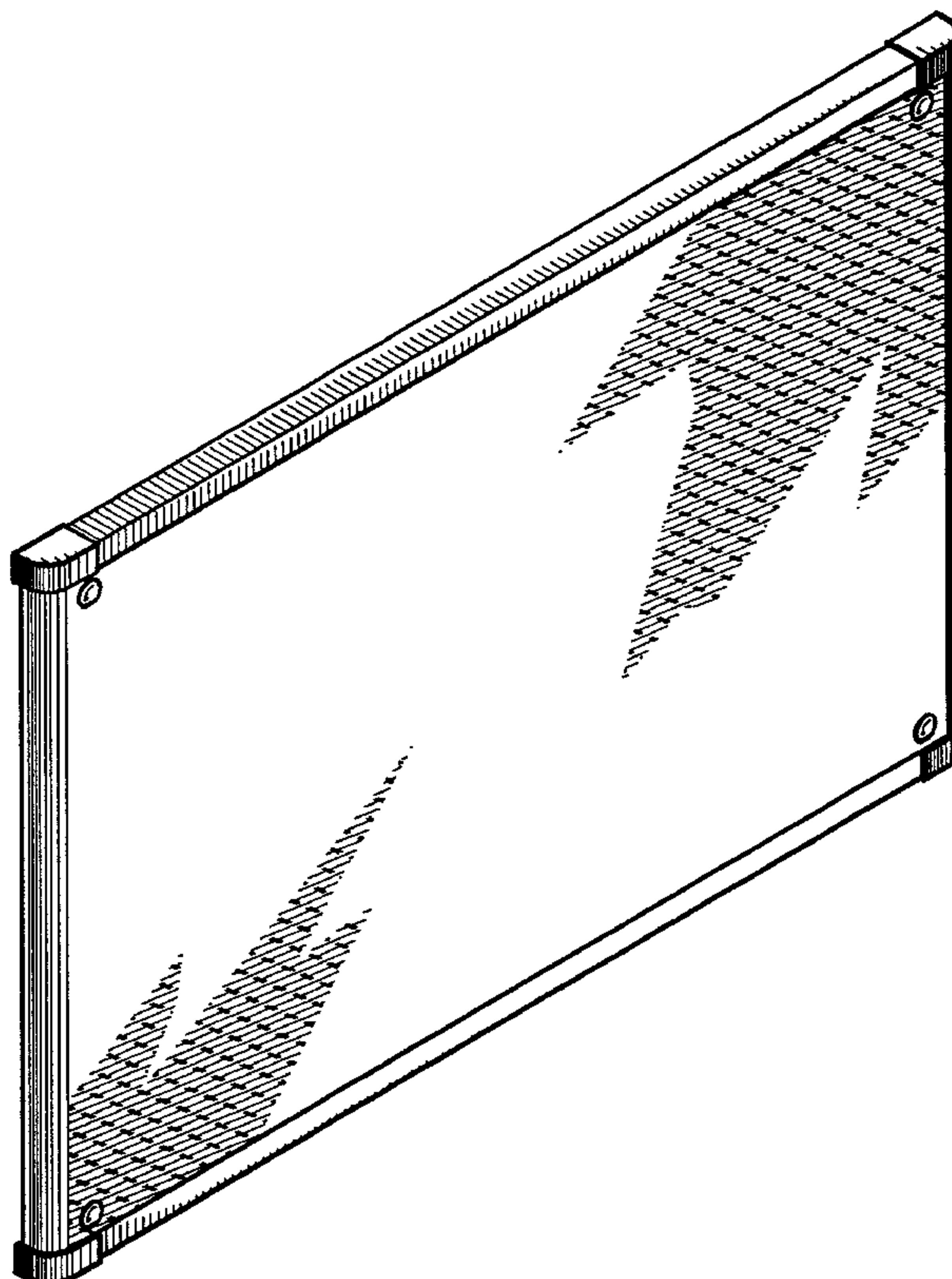
(57) **CLAIM**

The ornamental design for a frameless cork board, as shown.

DESCRIPTION

FIG. 1 is a frontal isometric view of my frameless cork board;
FIG. 2 is a rear isometric view thereof;
FIG. 3 is a front elevational view thereof;
FIG. 4 is a left side elevational view, taken from a position to the left of FIG. 3 and looking towards the right;
FIG. 5 is a right side elevational view, taken from a position to the right of FIG. 3 and looking towards the left;
FIG. 6 is a top plan view, taken from a position generally above FIG. 3 and looking downwardly;
FIG. 7 is a bottom plan view, taken from a position generally below FIG. 3 and looking upwardly; and,
FIG. 8 is an enlarged rear elevational view thereof.

1 Claim, 4 Drawing Sheets



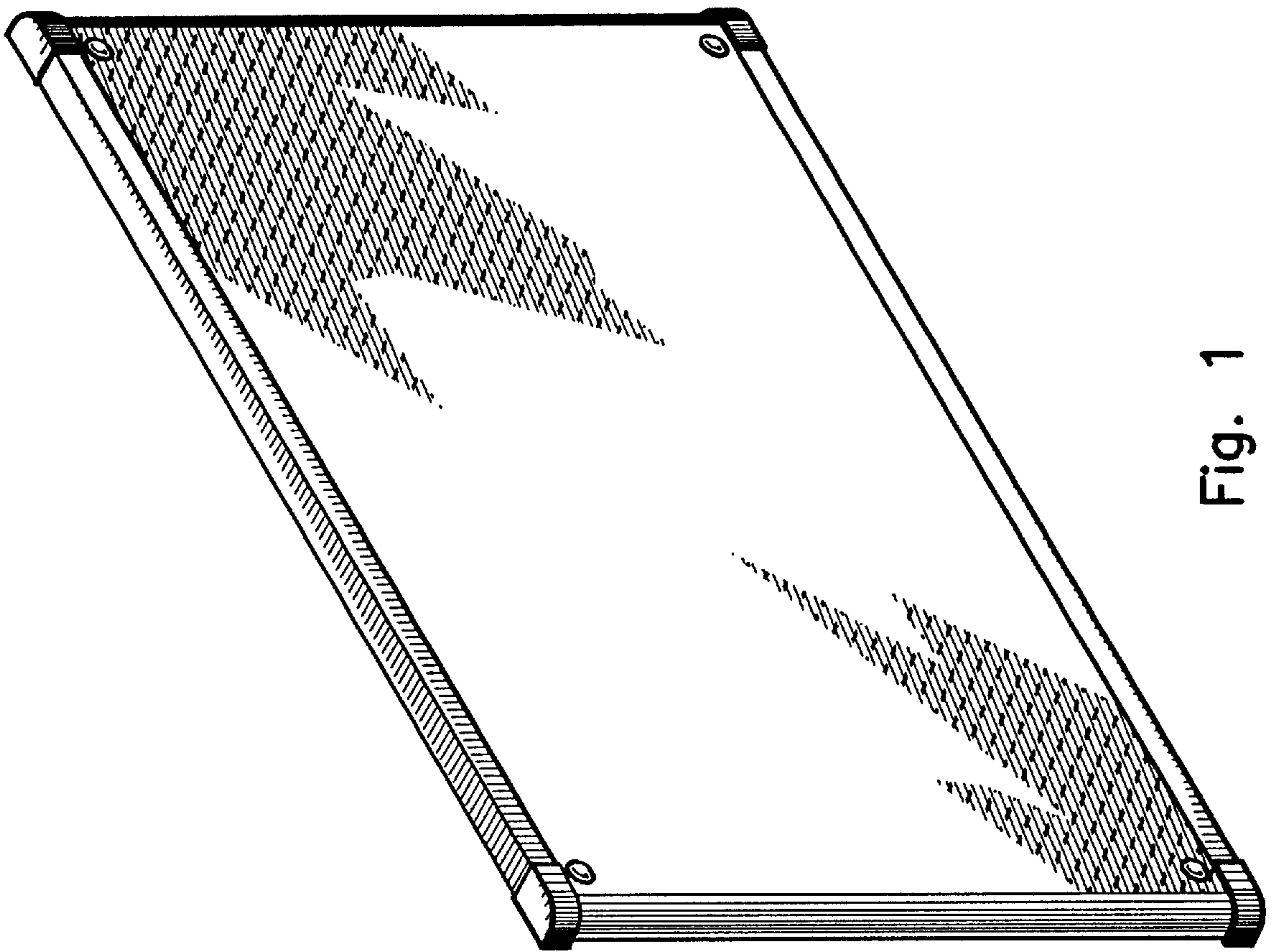


Fig. 1

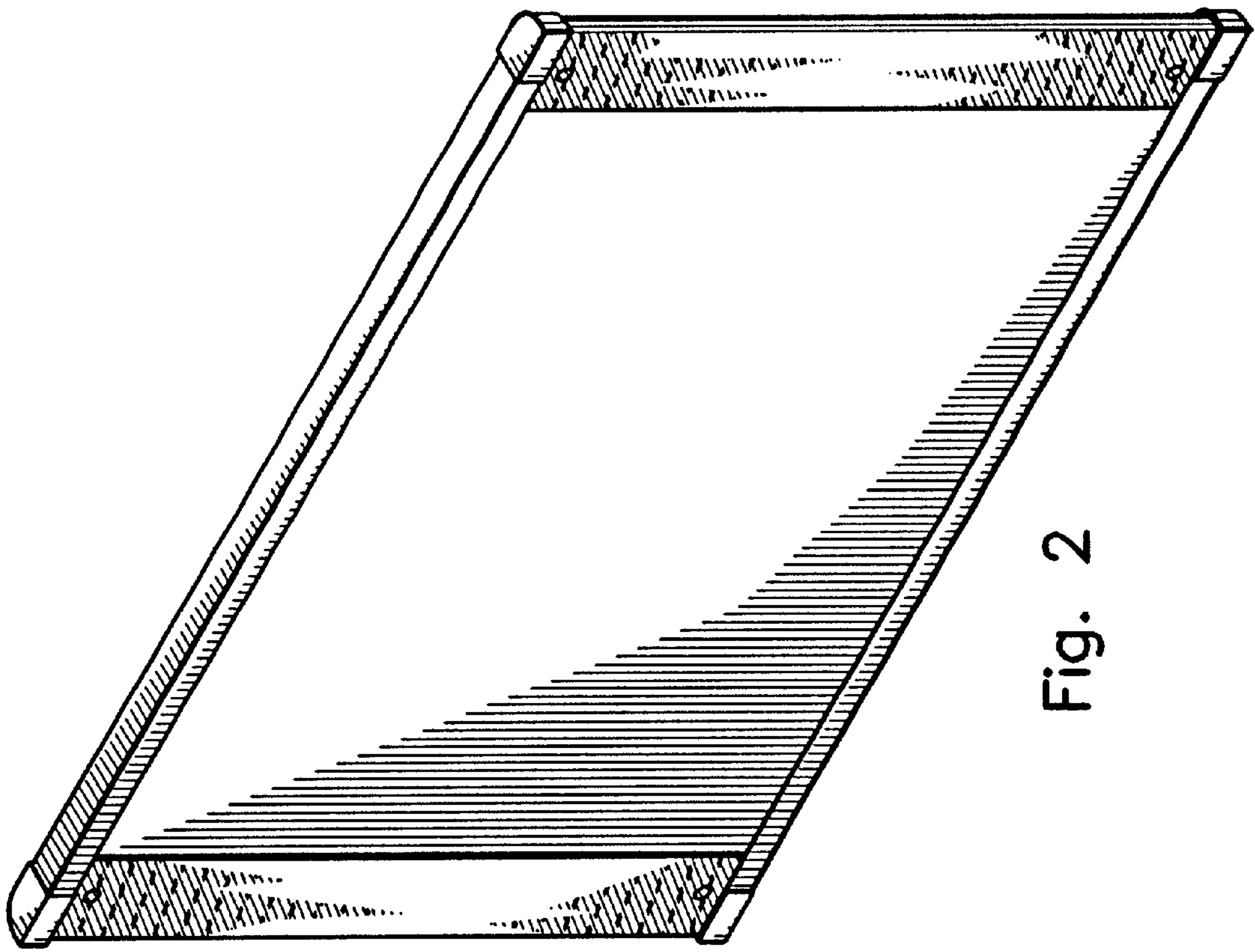


Fig. 2



Fig. 6

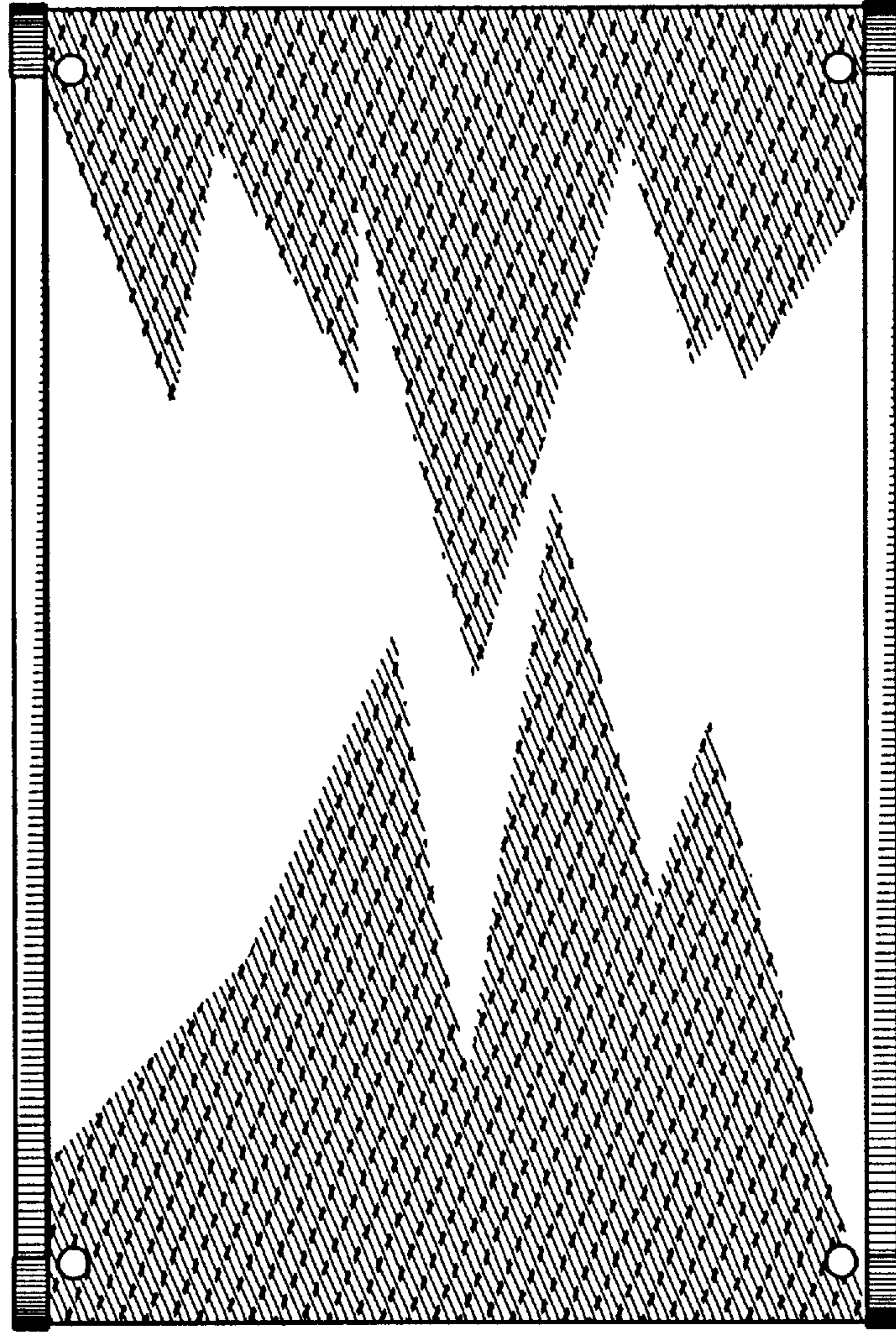


Fig. 3



Fig. 5



Fig. 4



Fig. 7

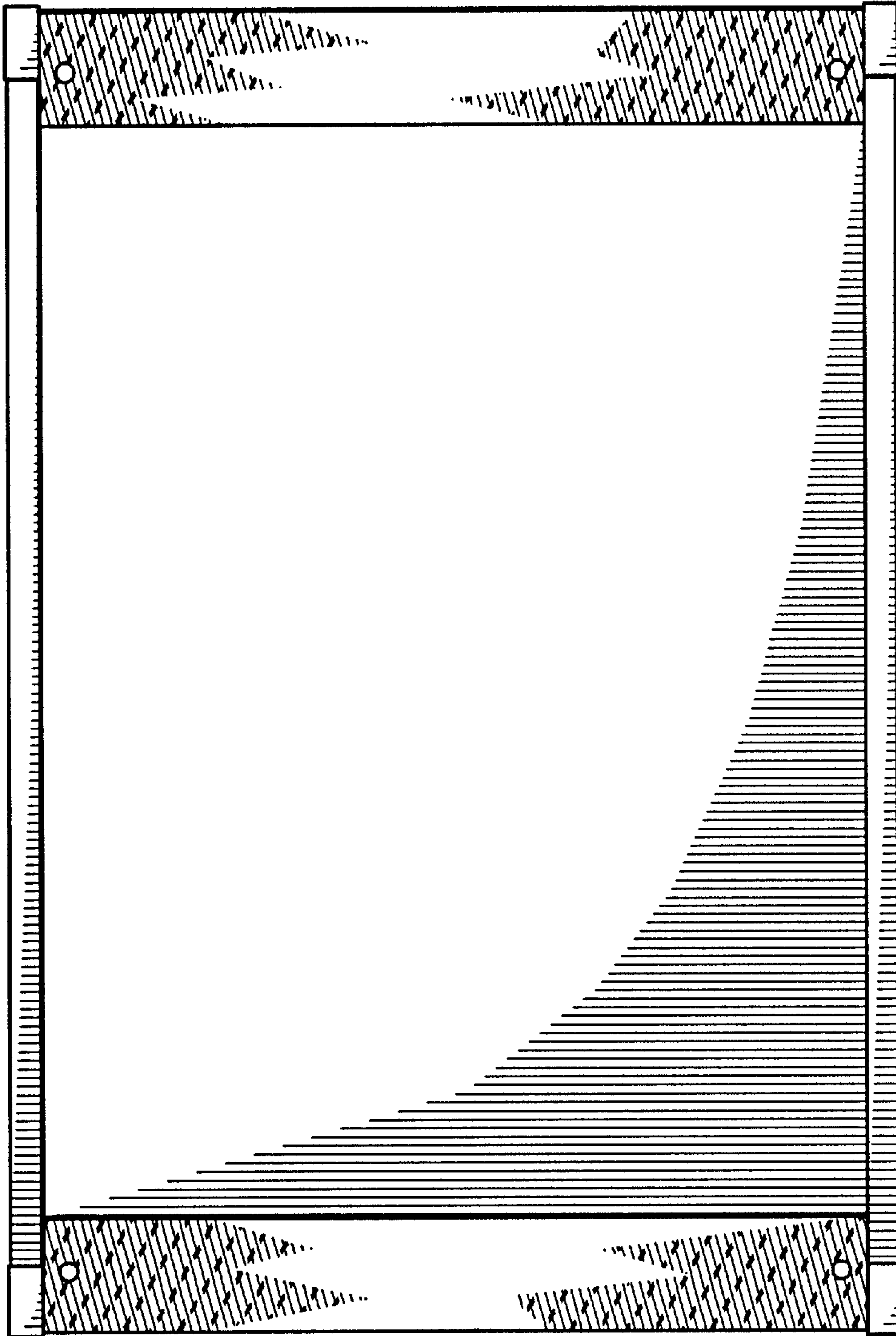


Fig. 8