



US00D480427S

(12) **United States Design Patent**
Chen

(10) **Patent No.:** **US D480,427 S**

(45) **Date of Patent:** **** Oct. 7, 2003**

(54) **PENCIL CUP**

(75) Inventor: **Peter Chen**, Lawrenceville, NJ (US)

(73) Assignee: **Officemate International Corp.**,
Edison, NJ (US)

(**) Term: **14 Years**

(21) Appl. No.: **29/176,425**

(22) Filed: **Feb. 21, 2003**

(51) **LOC (7) Cl.** **19-06**

(52) **U.S. Cl.** **D19/85; D19/77; D19/95**

(58) **Field of Search** D19/35, 36, 65,
D19/75, 77, 78, 81-85, 95, 99, 100; 211/10,
11, 50, 69.1-69.9; 206/214, 224, 371

(56) **References Cited**

U.S. PATENT DOCUMENTS

D123,610 S * 11/1940 Barga D19/75
4,100,684 A * 7/1978 Berger 211/50 X
D250,653 S * 12/1978 Tiedemann D19/85

D289,060 S * 3/1987 Wolff D19/85
D296,116 S * 6/1988 Klodt D19/85
D311,213 S * 10/1990 Ancona et al. D19/77
D334,948 S * 4/1993 Kirchner D19/85
D372,146 S * 7/1996 Svec D6/476

* cited by examiner

Primary Examiner—Martie K. Holtje

(74) *Attorney, Agent, or Firm*—Daniel Kirshner

(57) **CLAIM**

The ornamental design for a pencil cup, as shown.

DESCRIPTION

FIG. 1 is a front perspective view of the pencil cup showing the design;

FIG. 2 is a front elevational view thereof;

FIG. 3 is a rear elevational view thereof;

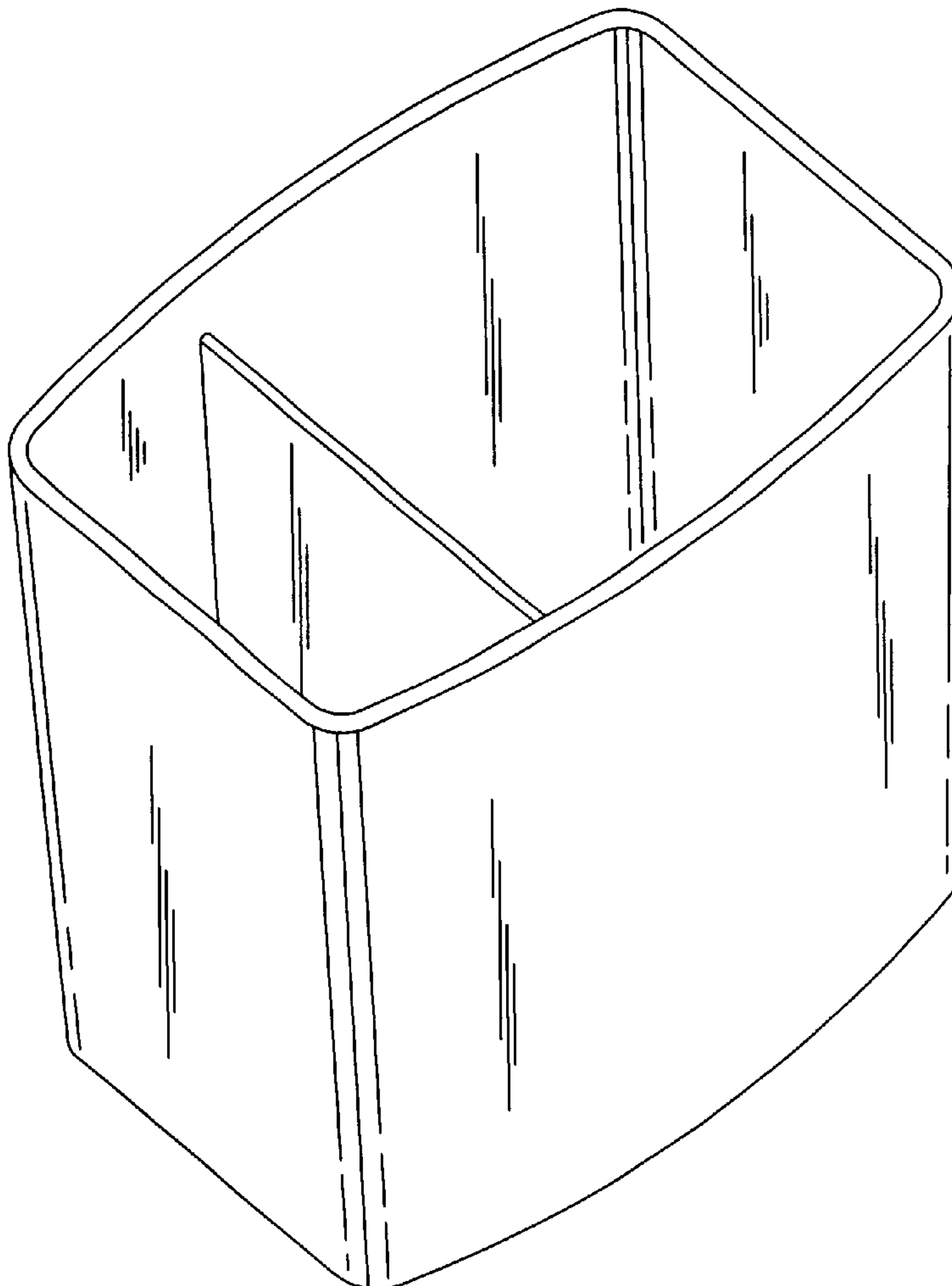
FIG. 4 is a right side elevational view thereof;

FIG. 5 is a left side elevational view thereof;

FIG. 6 is a top plan view thereof; and,

FIG. 7 is a bottom plan view thereof.

1 Claim, 4 Drawing Sheets



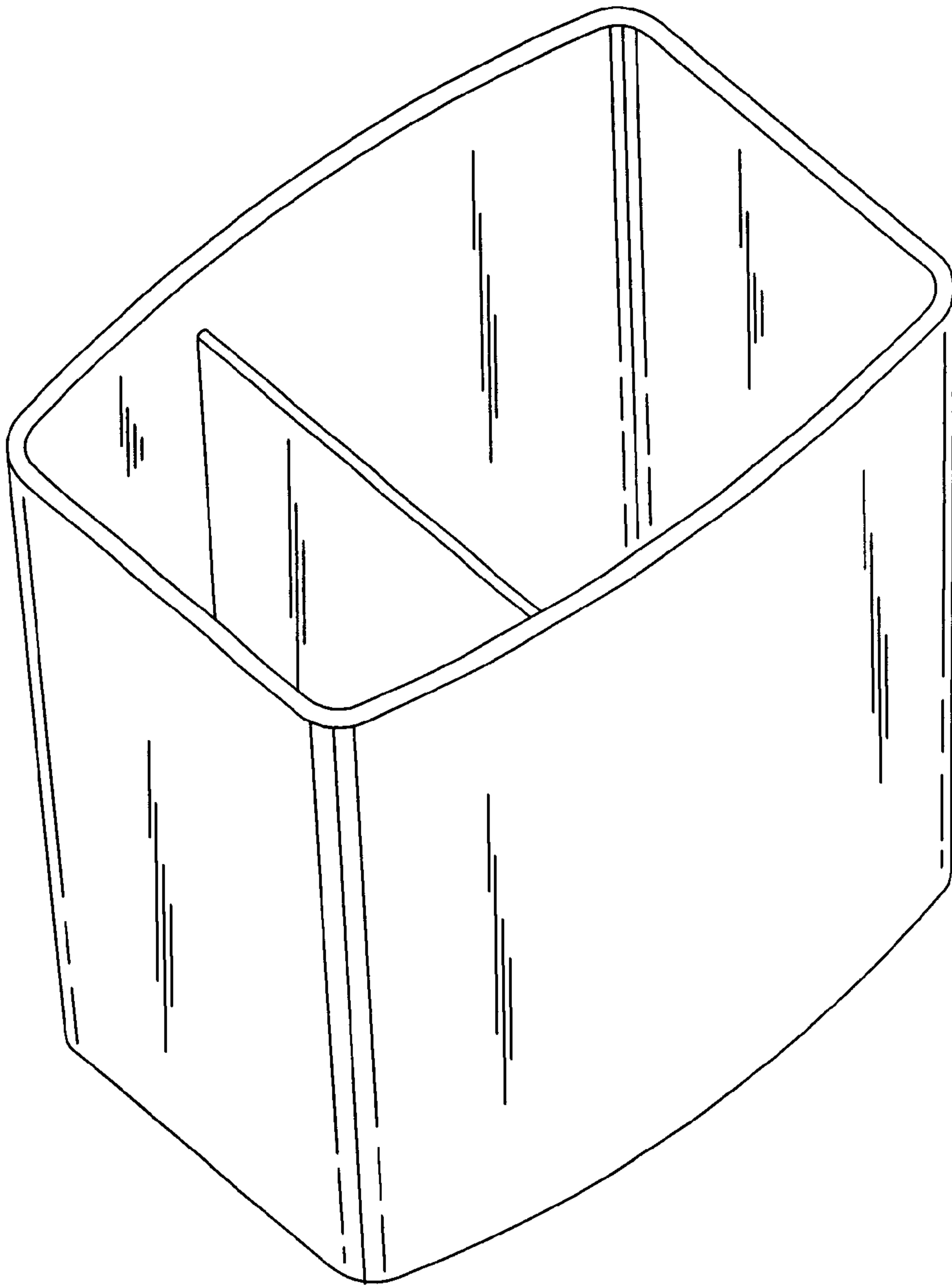


FIG. 1

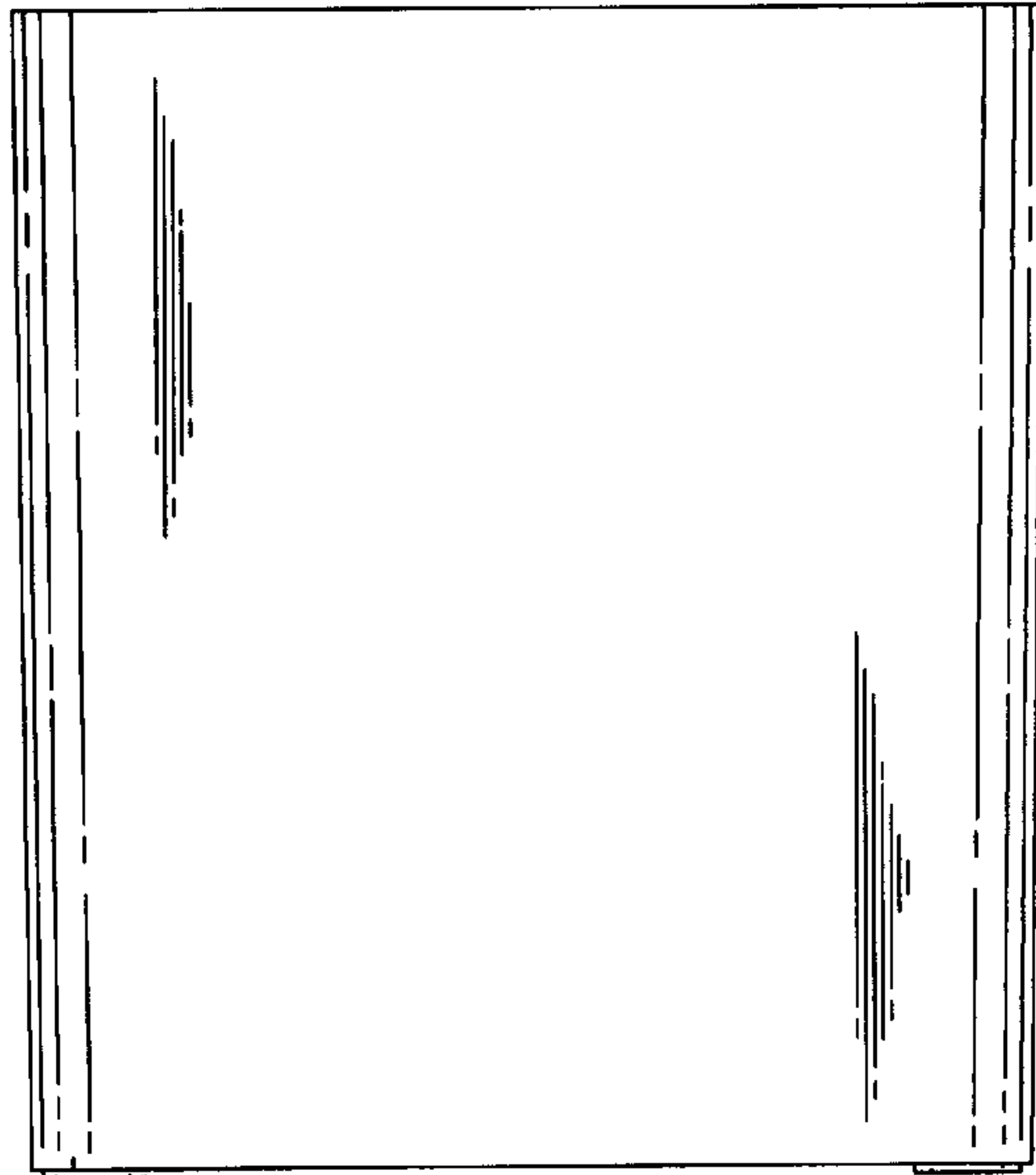


FIG. 2

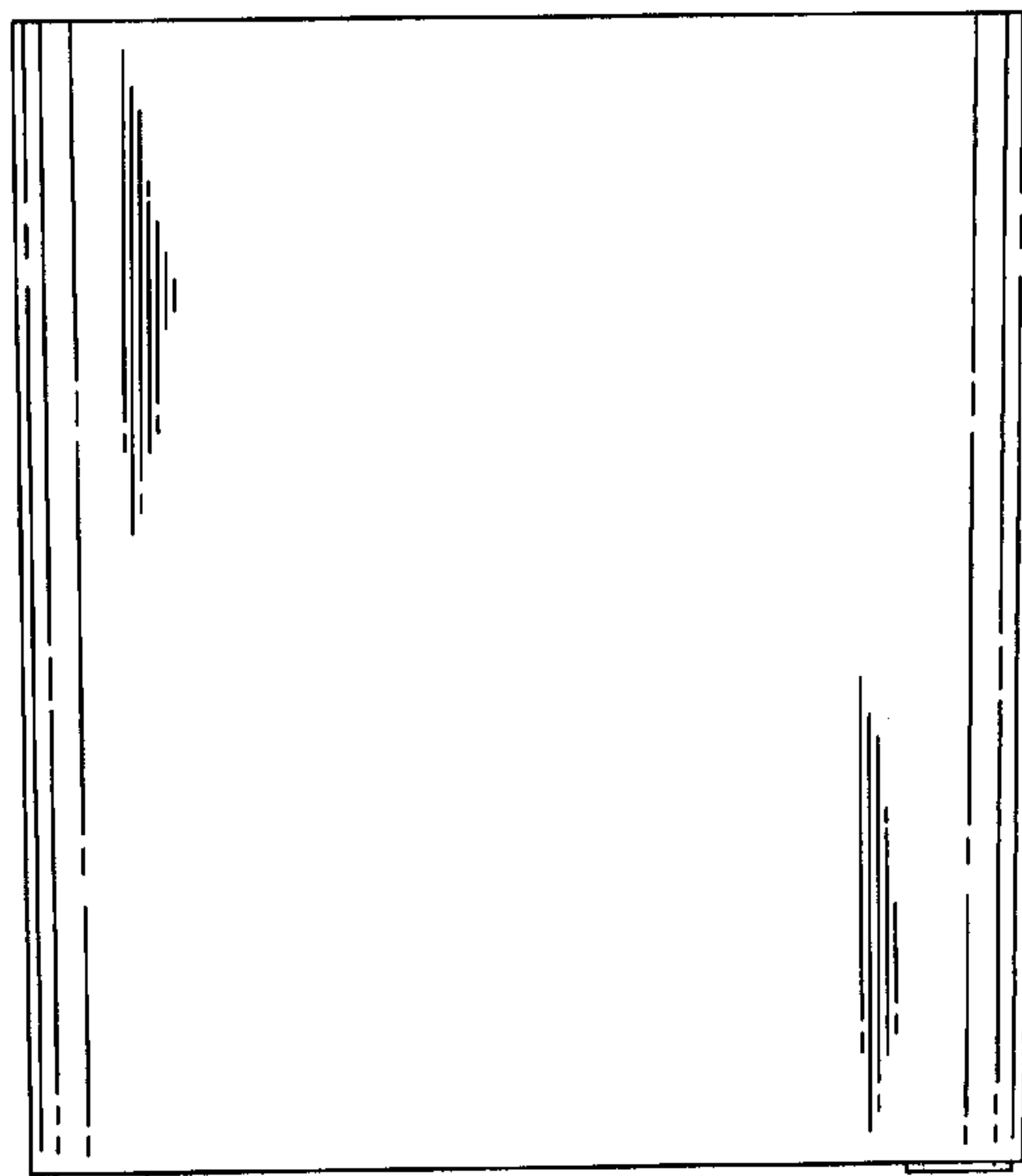


FIG. 3

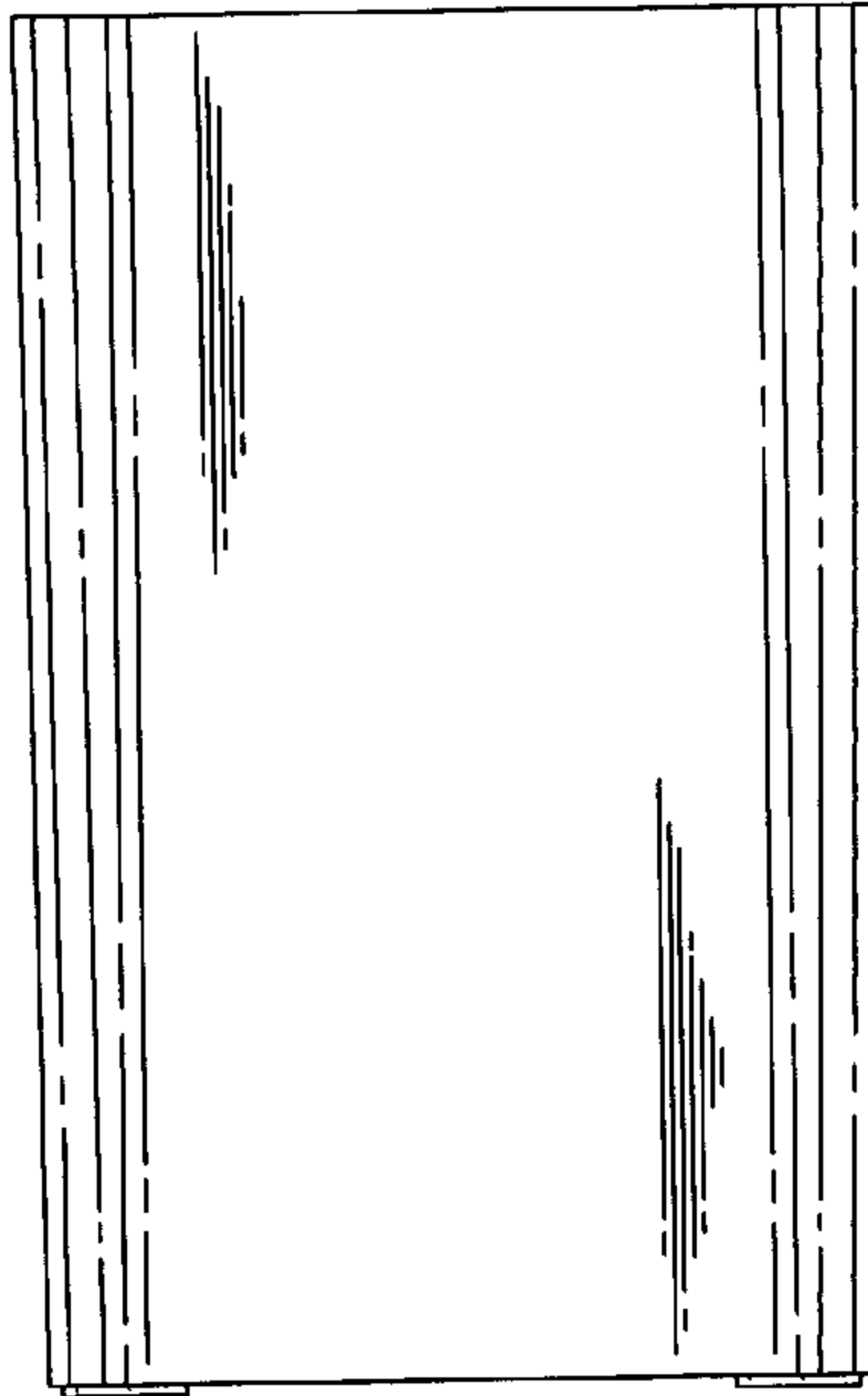


FIG. 4

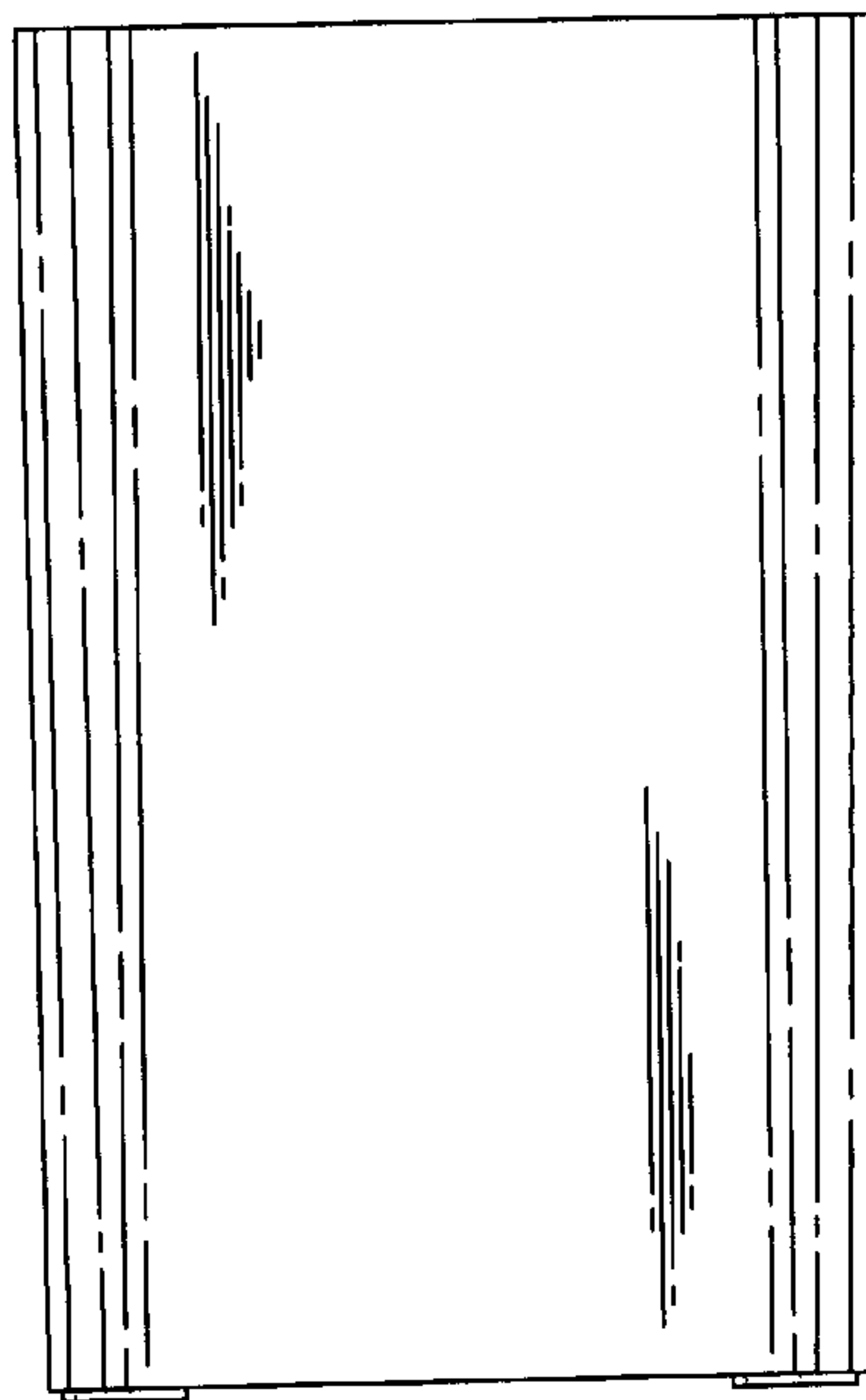


FIG. 5

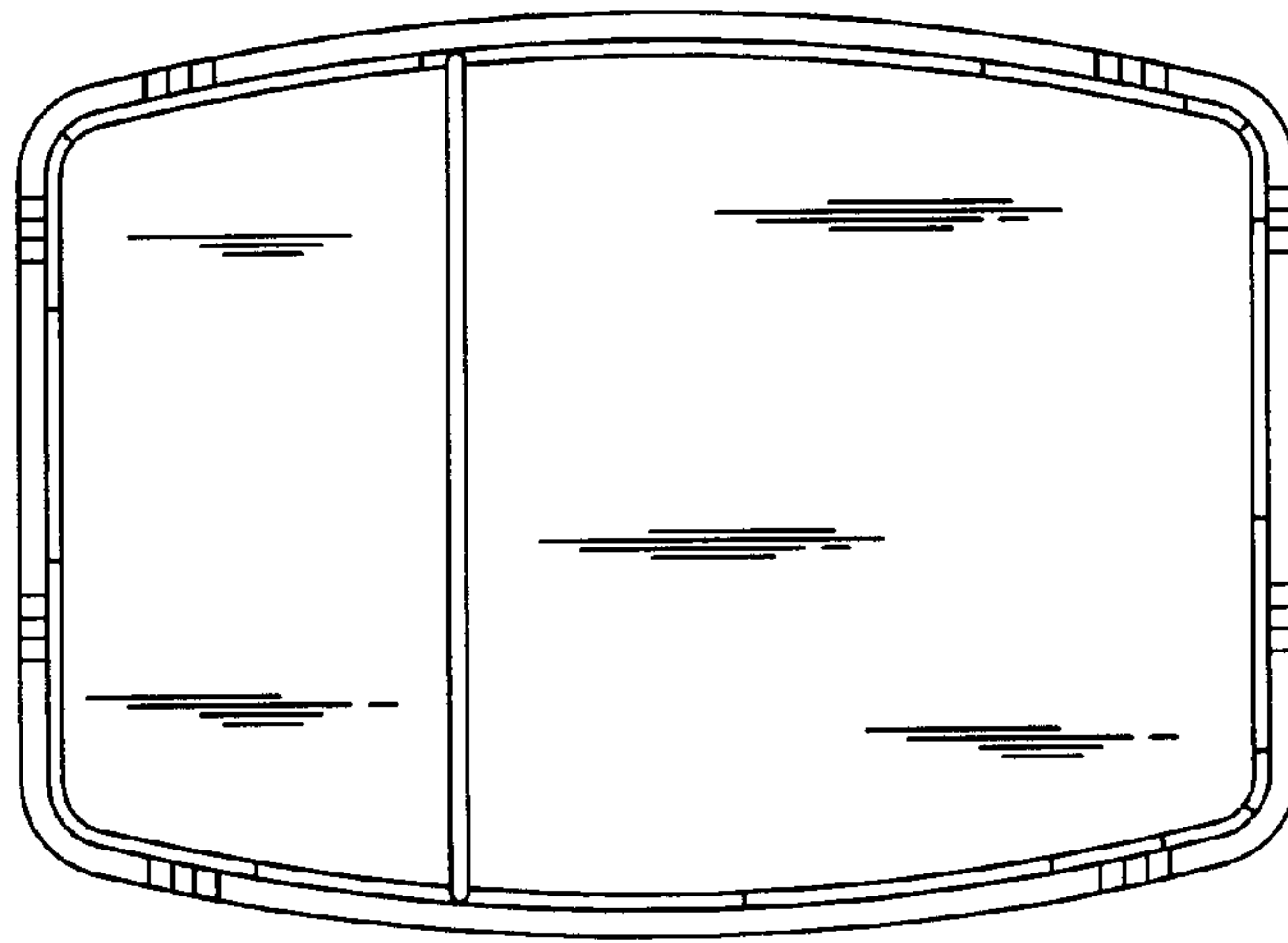


FIG. 6

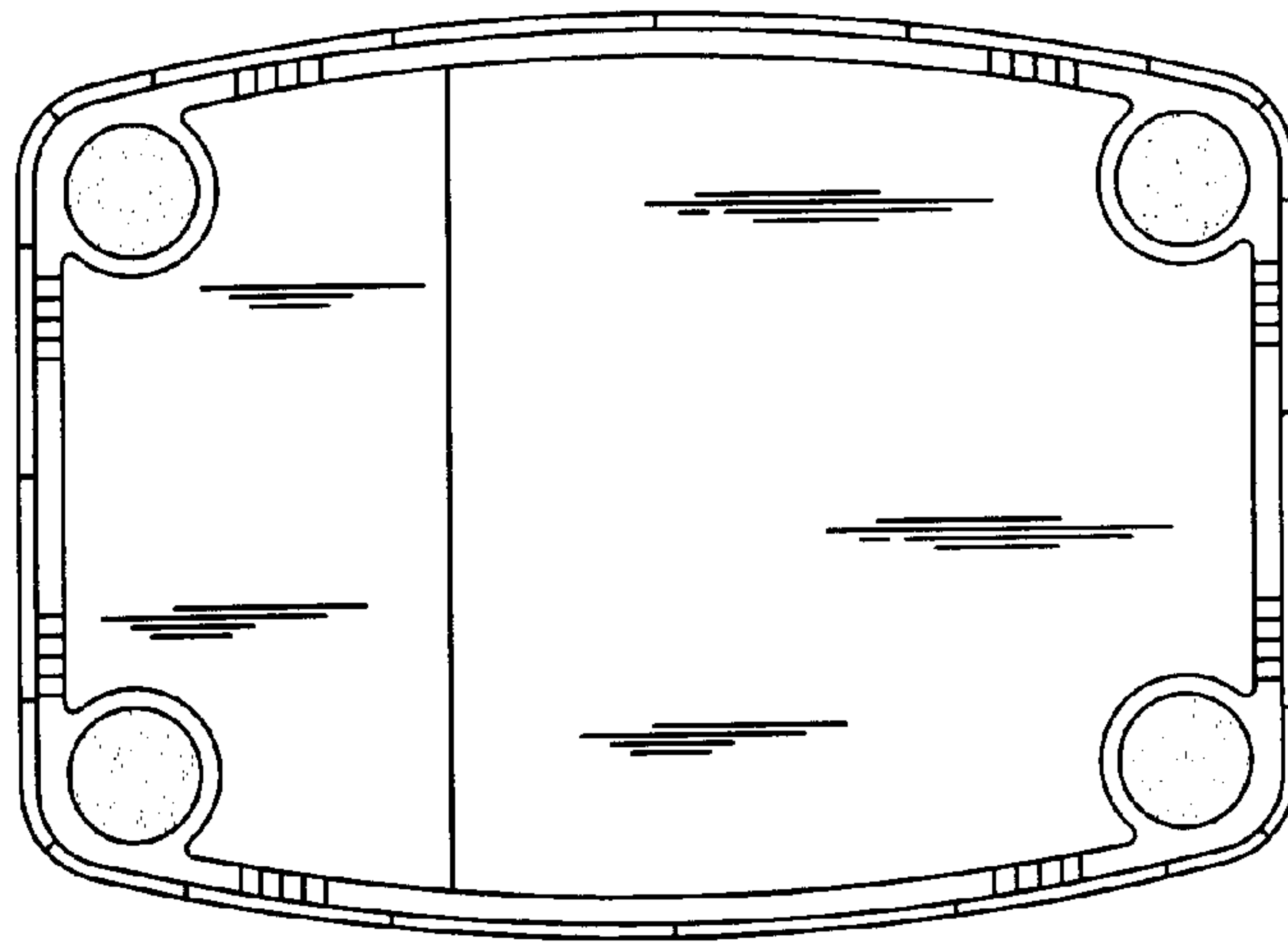


FIG. 7