



US00D480418S

(12) **United States Design Patent**
Evers

(10) **Patent No.:** **US D480,418 S**

(45) **Date of Patent:** **** Oct. 7, 2003**

(54) **CONSUMER INKJET PRINTER**

(75) Inventor: **Maaike L Evers**, San Francisco, CA
(US)

(73) Assignee: **Hewlett-Packard Development, L.P.**,
Houston, TX (US)

(**) Term: **14 Years**

(21) Appl. No.: **29/169,996**

(22) Filed: **Oct. 30, 2002**

(51) **LOC (7) Cl.** **14-02**

(52) **U.S. Cl.** **D18/55**

(58) **Field of Search** D18/50, 54-55,
D18/36-39; D14/420-425, 462-470; 400/613,
613.1-613.4, 691-694, 690.1-690.4

(56) **References Cited**

U.S. PATENT DOCUMENTS

D338,033 S	*	8/1993	Yoshida et al.	D18/55
D360,567 S	*	7/1995	Takahashi	D18/50
D374,887 S	*	10/1996	Takahashi	D18/50
D397,357 S	*	8/1998	Herman et al.	D18/55

D413,351 S	*	8/1999	Escobedo et al.	D18/54
D427,235 S	*	6/2000	Kaseno et al.	D18/54
D436,123 S	*	1/2001	Ito et al.	D18/54
D452,698 S	*	1/2002	Shinano	D18/14
D466,551 S	*	12/2002	Nagai	D18/50
D466,923 S	*	12/2002	Dwyer et al.	D18/55
D466,924 S	*	12/2002	Wong et al.	D18/55

* cited by examiner

Primary Examiner—Cathy Anne MacCormac

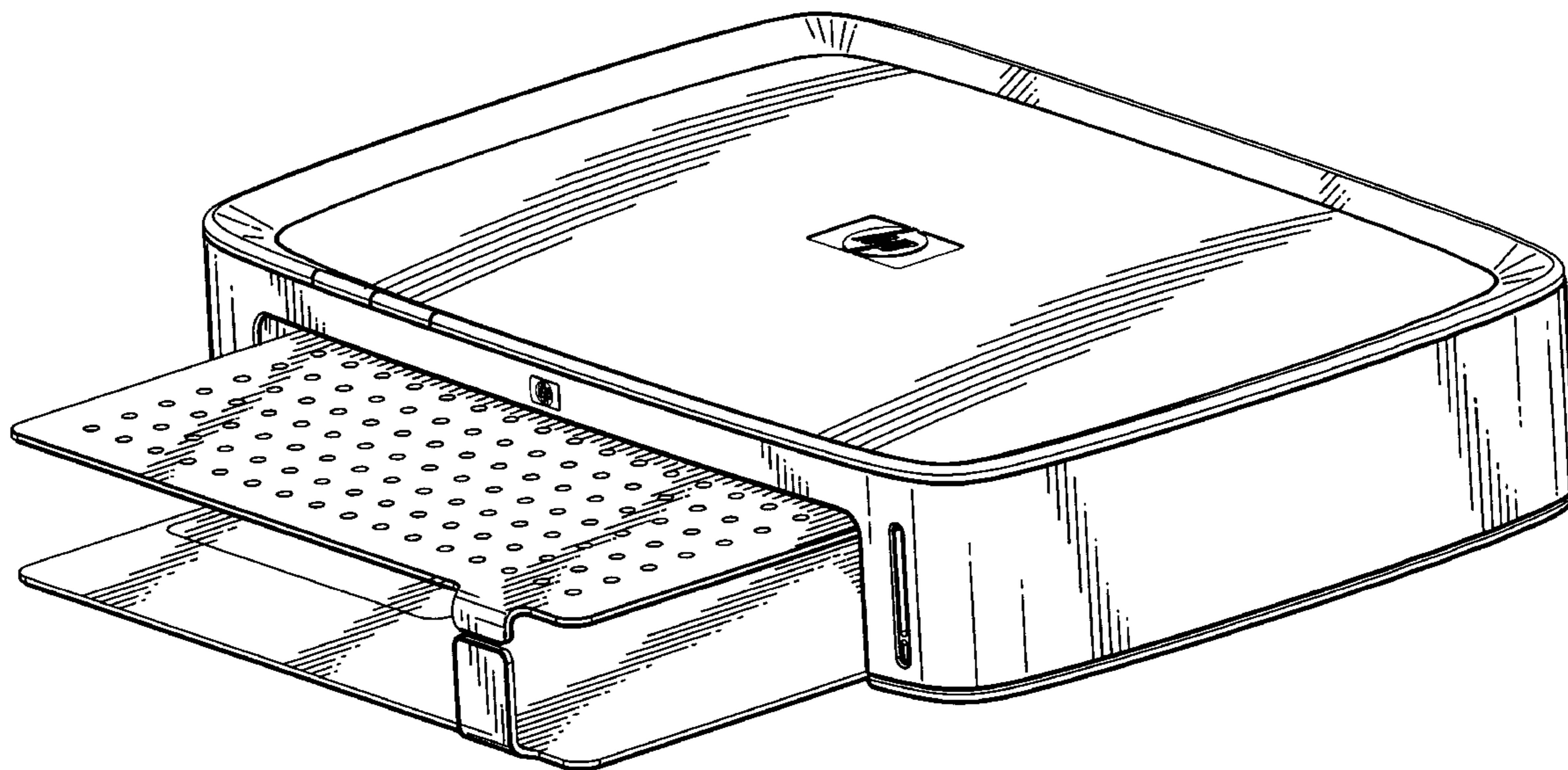
(57) **CLAIM**

The ornamental design for a consumer inkjet printer, as shown.

DESCRIPTION

FIG. 1 is a perspective view of a consumer inkjet printer showing my new design;
FIG. 2 is a front elevational view thereof;
FIG. 3 is a rear elevational view thereof;
FIG. 4 is a left side elevational view thereof;
FIG. 5 is a right side elevational view thereof;
FIG. 6 is a top plan view thereof; and,
FIG. 7 is a bottom plan view thereof.

1 Claim, 5 Drawing Sheets



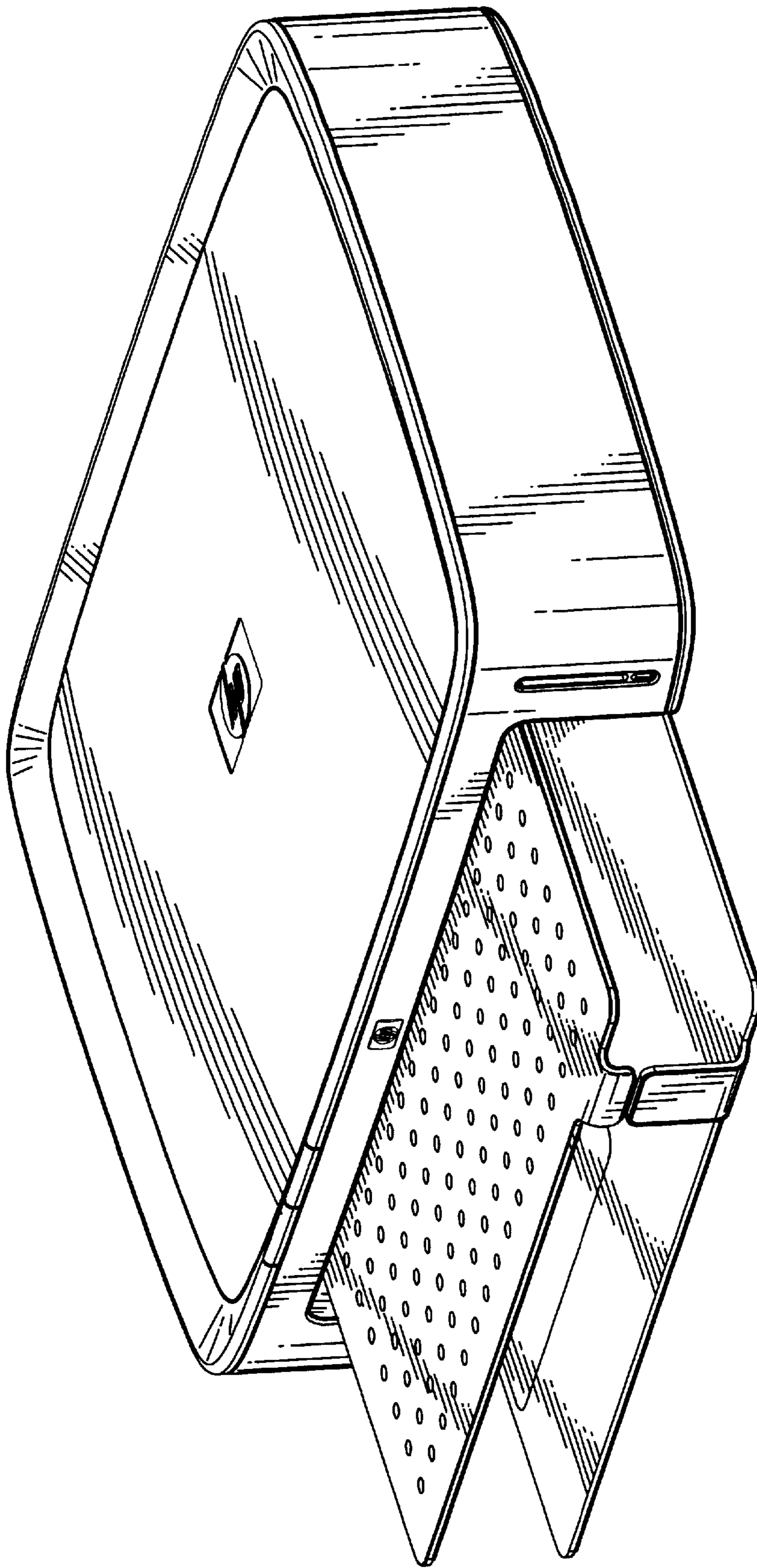


Figure 1

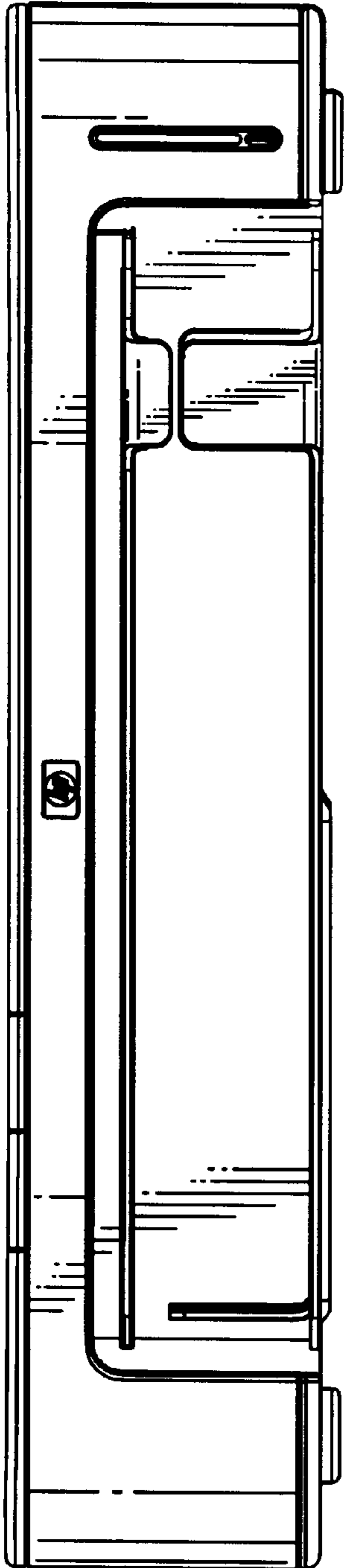


Figure 2

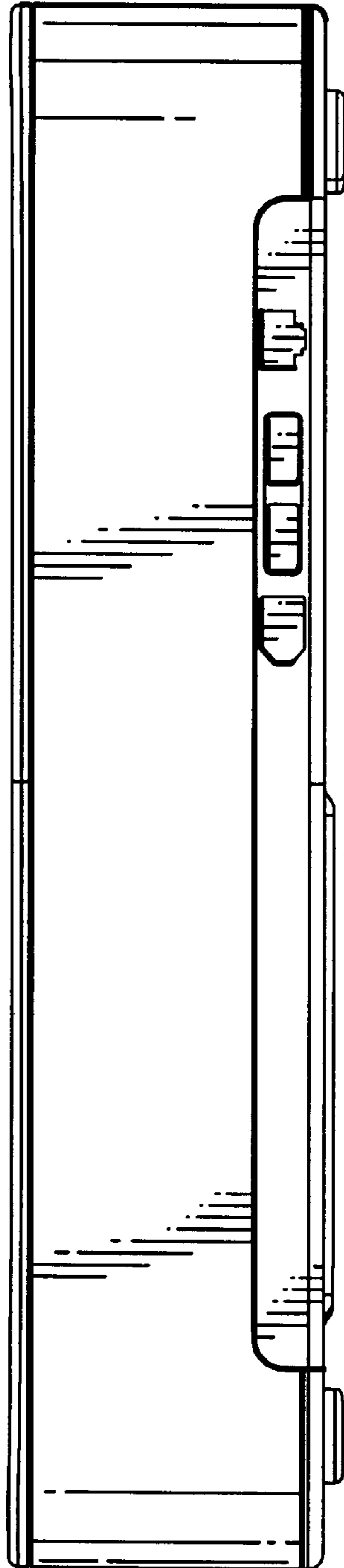


Figure 3

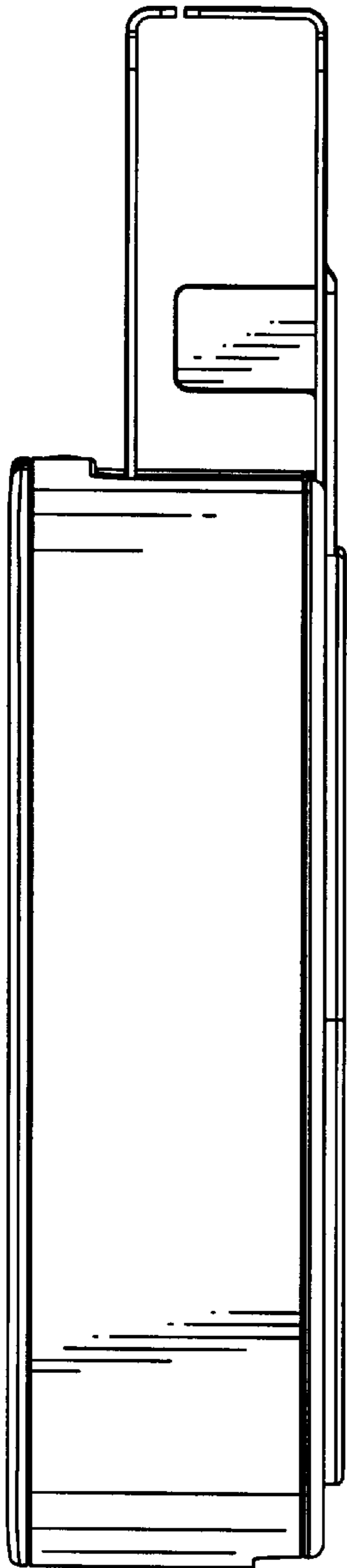


Figure 4

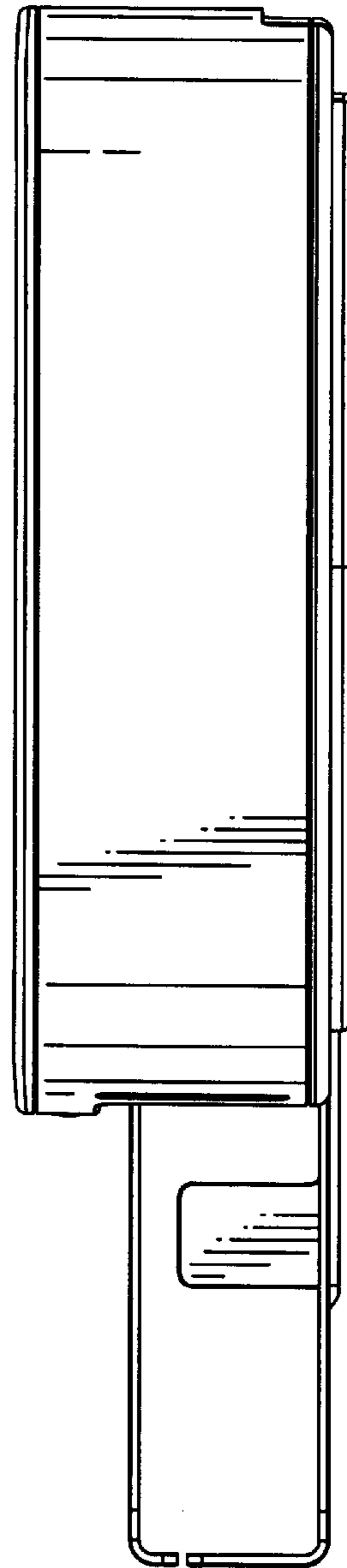


Figure 5

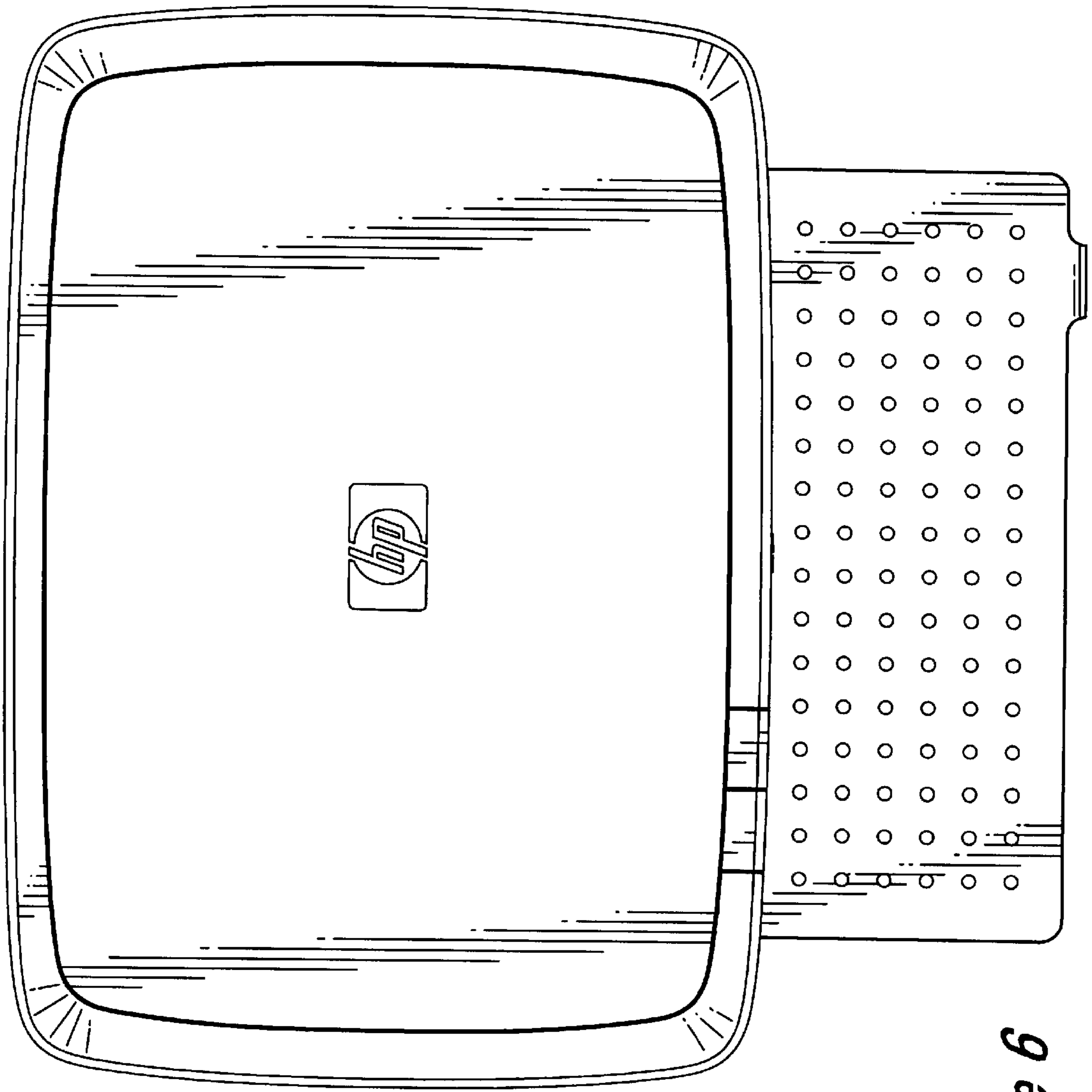


Figure 6

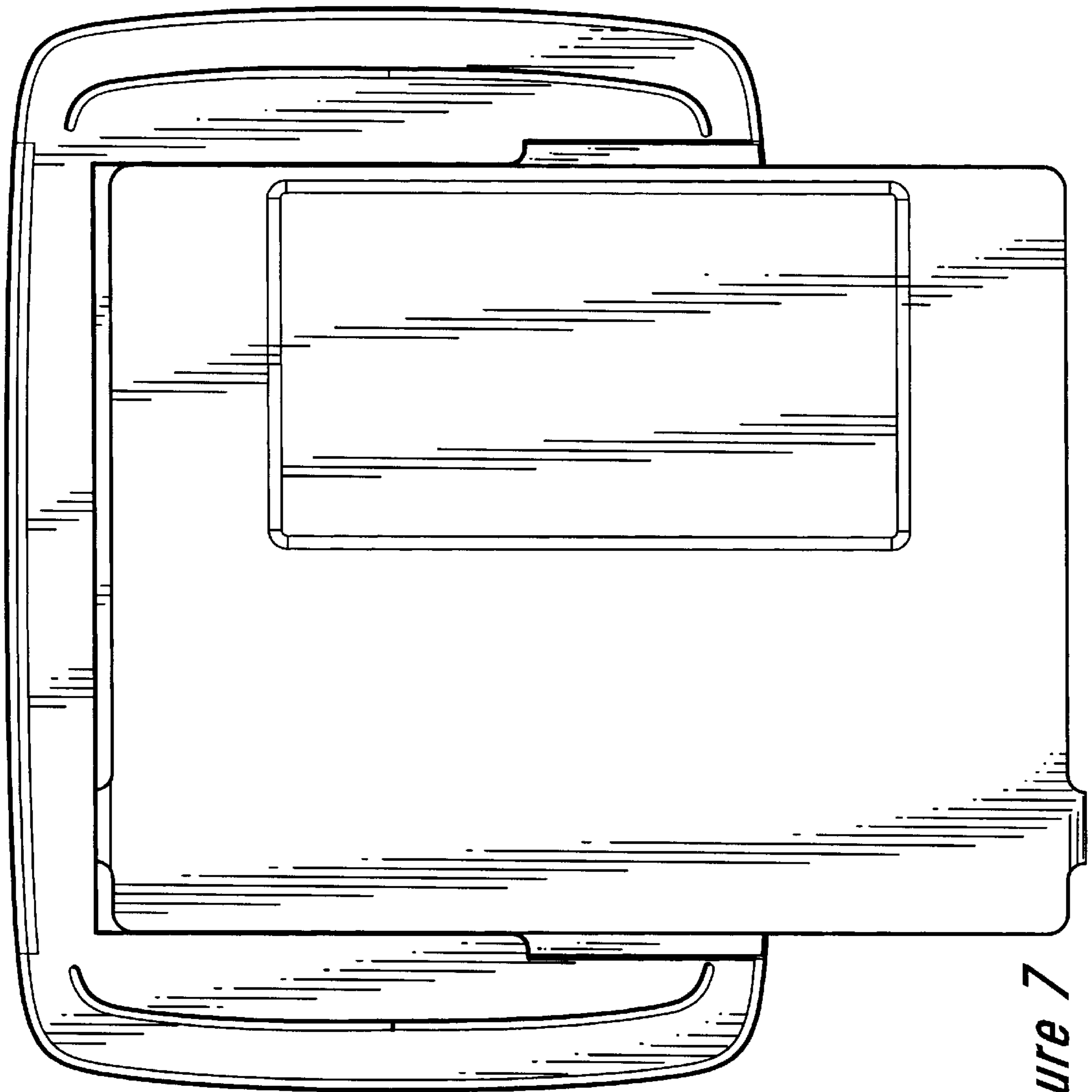


Figure 7