



US00D480417S

(12) **United States Design Patent**  
**Nakayama et al.**

(10) **Patent No.:** **US D480,417 S**

(45) **Date of Patent:** **\*\* Oct. 7, 2003**

(54) **PRINTER**

(75) Inventors: **Tetsu Nakayama**, Shiojiri (JP);  
**Kenichi Nakajima**, Shimosuma-machi  
(JP); **Hidetoshi Hashizume**,  
Hotaka-machi (JP)

(73) Assignee: **Seiko Epson Corporation (JP)**

(\*\*) Term: **14 Years**

(21) Appl. No.: **29/159,184**

(22) Filed: **Apr. 16, 2002**

(30) **Foreign Application Priority Data**

Oct. 16, 2001 (JP) ..... 2001-030389

(51) **LOC (7) Cl.** ..... **18-02**

(52) **U.S. Cl.** ..... **D18/53**

(58) **Field of Search** ..... D18/53-56, 36-40,  
D18/44; 400/625, 690-694; 347/170, 222;  
399/107, 391-399, 361, 367, 381

(56) **References Cited**

**U.S. PATENT DOCUMENTS**

D192,394 S \* 3/1962 Behnk ..... D18/53  
D201,681 S \* 7/1965 Harkins et al. .... D18/53

D242,287 S \* 11/1976 Hatsuda et al. .... D18/53  
D363,735 S \* 10/1995 Karafuji et al. .... D18/53  
D410,677 S \* 6/1999 Matsumoto et al. .... D18/53  
D438,240 S \* 2/2001 Kimura ..... D18/53

**FOREIGN PATENT DOCUMENTS**

WO DM/052273 \* 4/2000 ..... 18/2

\* cited by examiner

*Primary Examiner*—Charles A. Rademaker

(74) *Attorney, Agent, or Firm*—Harness, Dickey & Pierce,  
P.L.C.

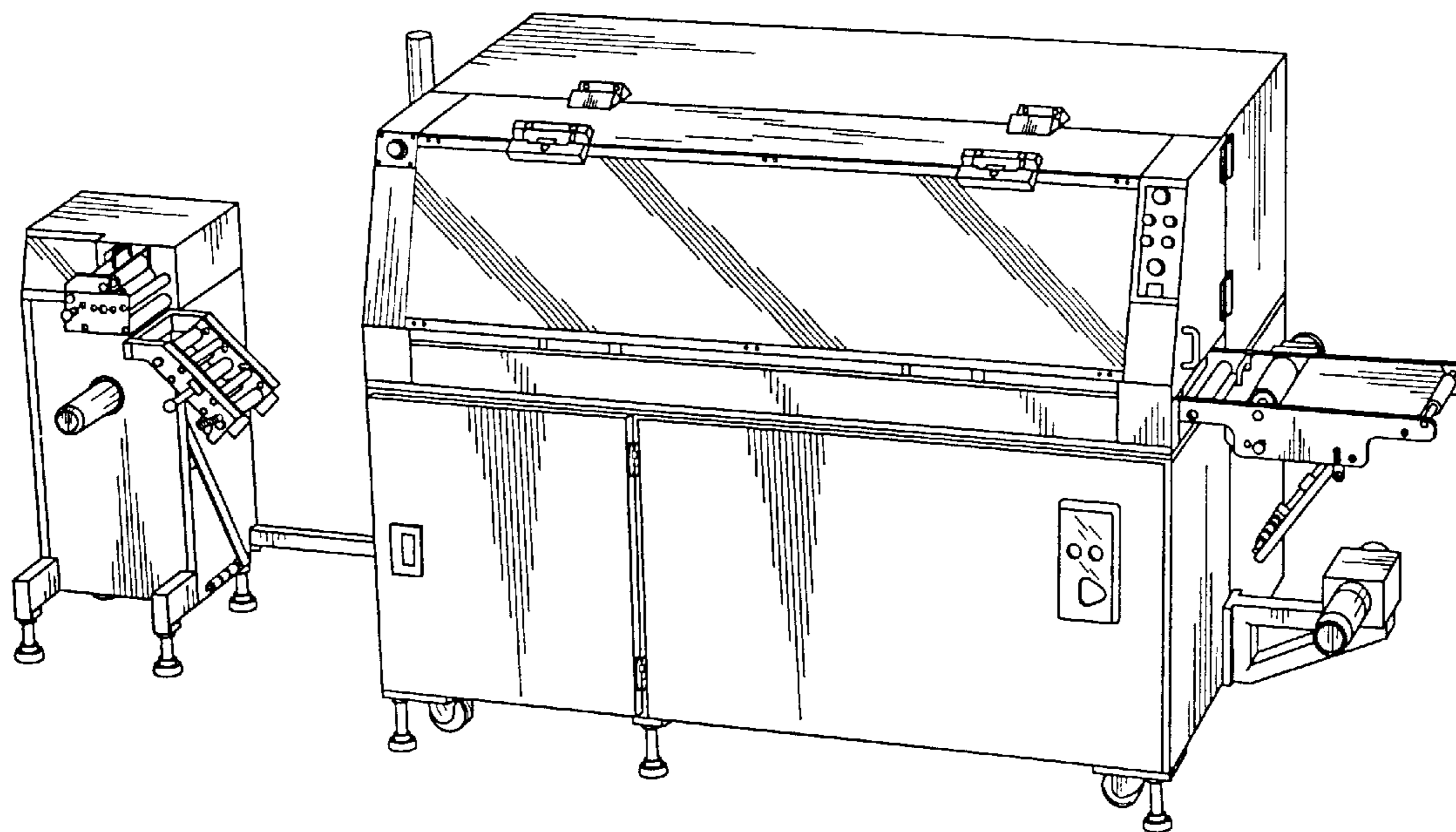
(57) **CLAIM**

The ornamental design for a printer, as shown and described.

**DESCRIPTION**

FIG. 1 is a front perspective view of a printer embodying our new design;  
FIG. 2 is a front view of the design;  
FIG. 3 is a top view of the design;  
FIG. 4 is a right side view of the design;  
FIG. 5 is a left side view of the design;  
FIG. 6 is the rear view of the design; and,  
FIG. 7 is the bottom view of the design.

**1 Claim, 3 Drawing Sheets**



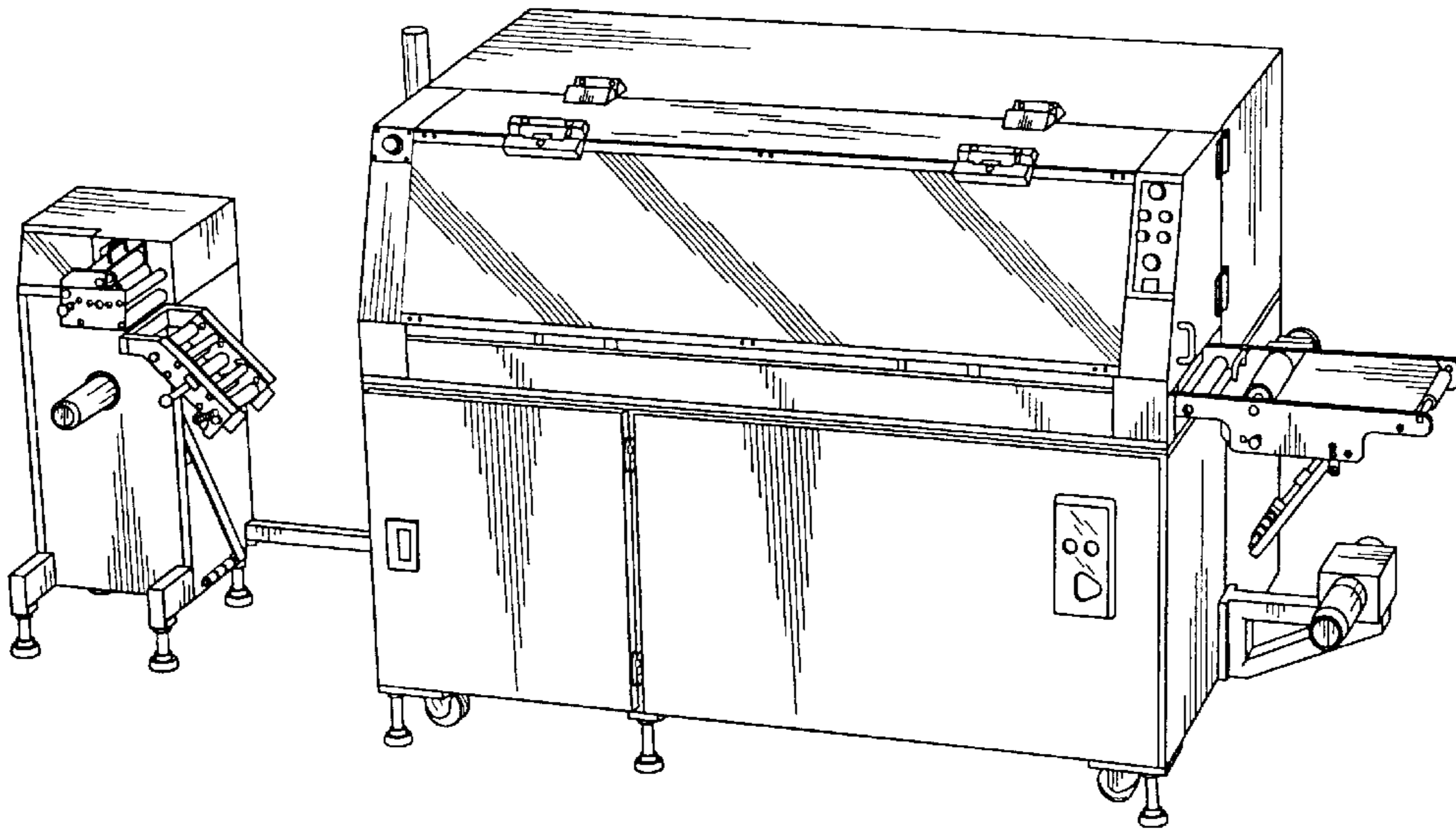


Fig-1

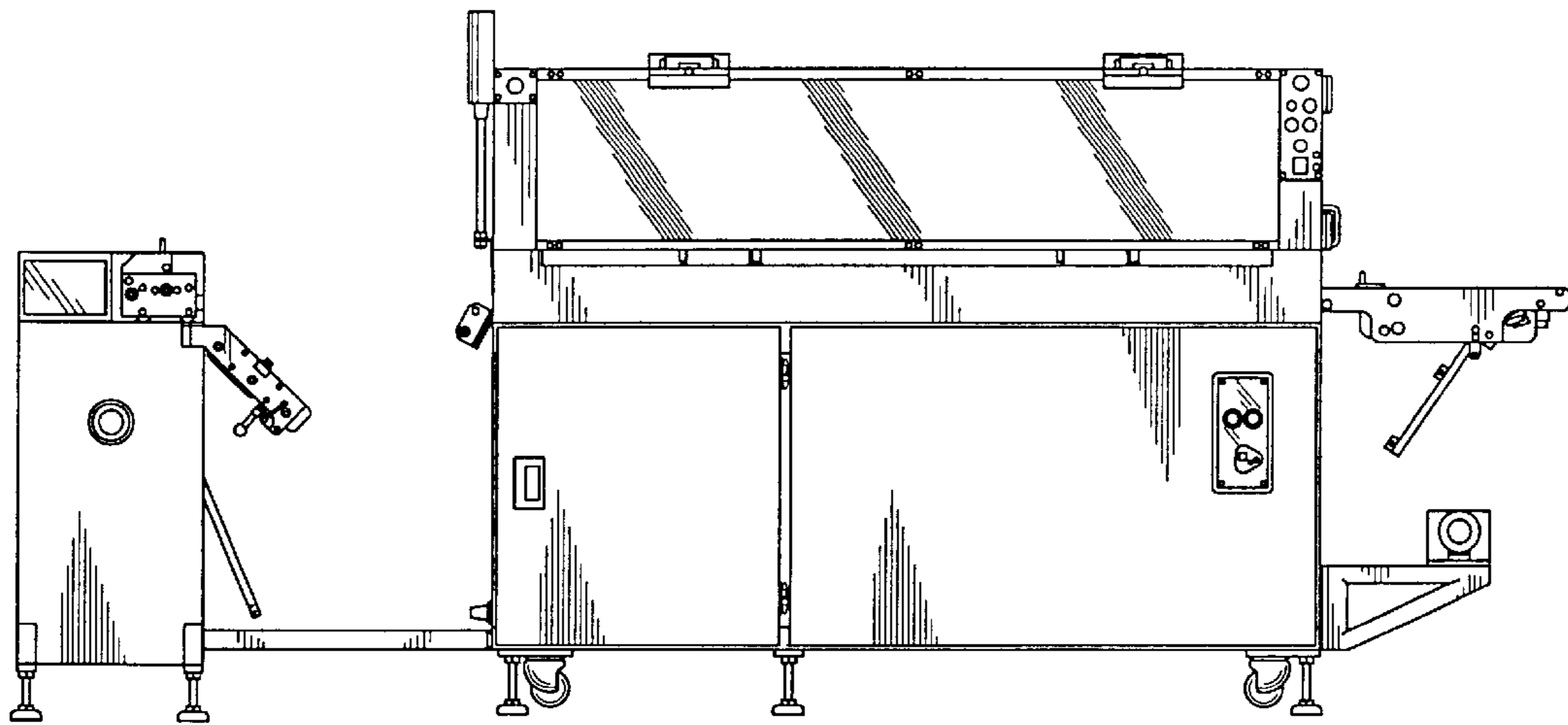


Fig-2

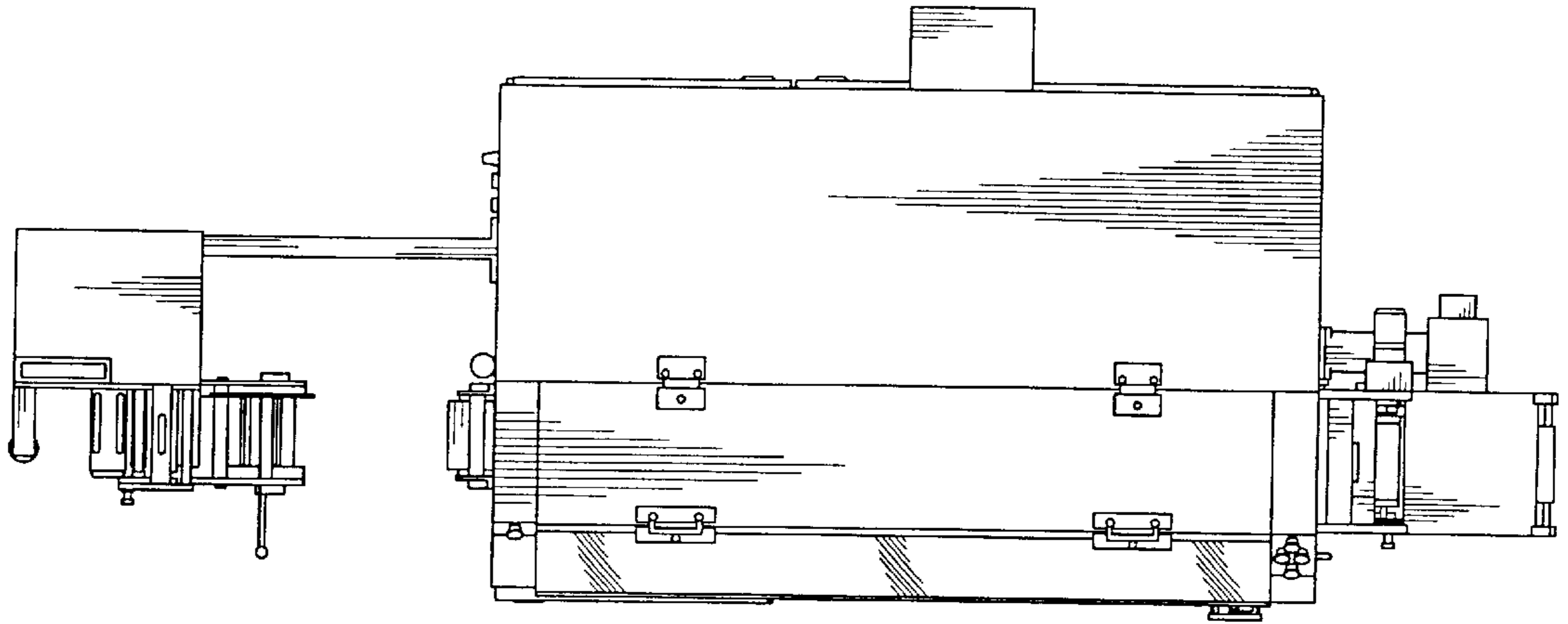


Fig-3

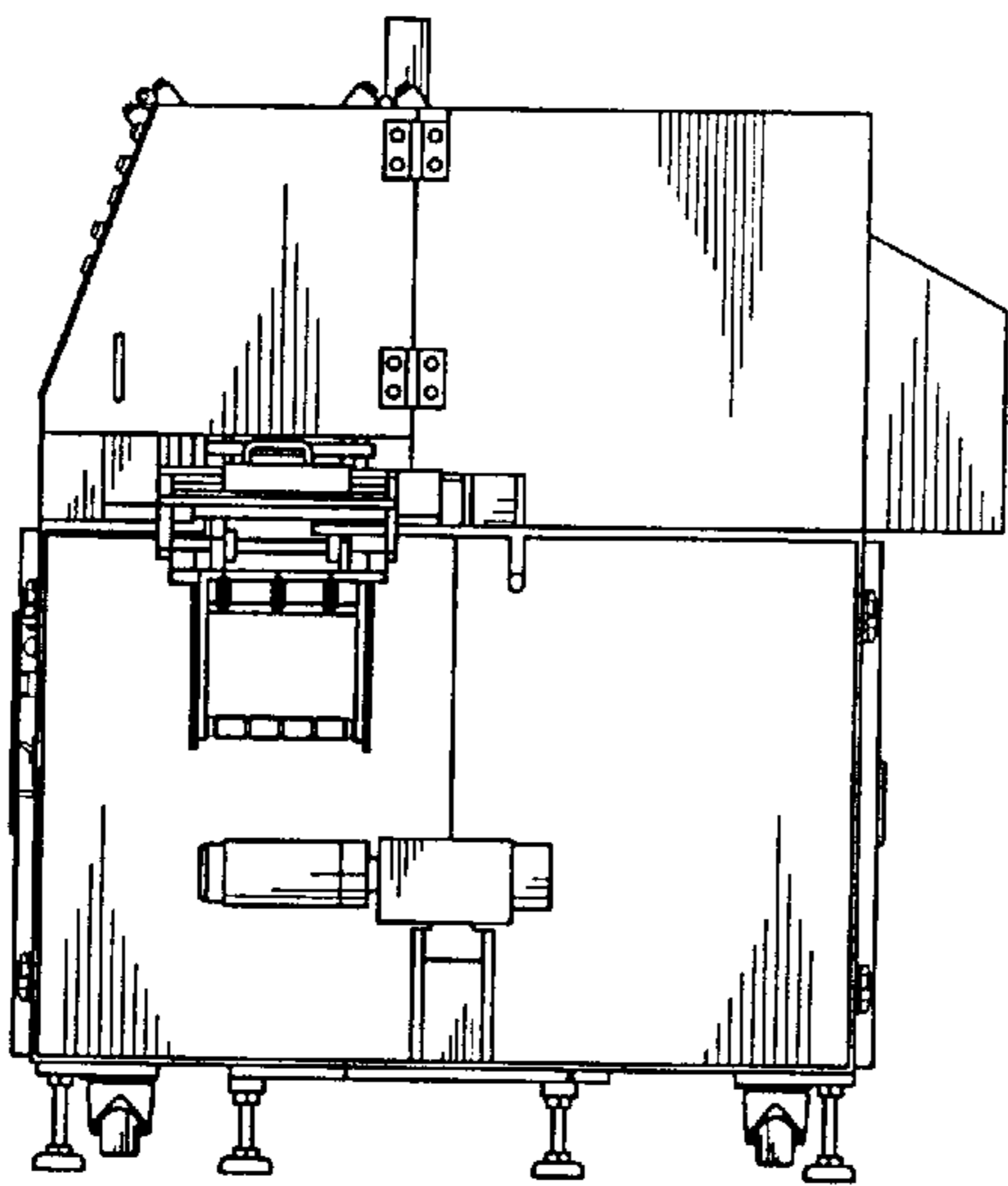


Fig-4

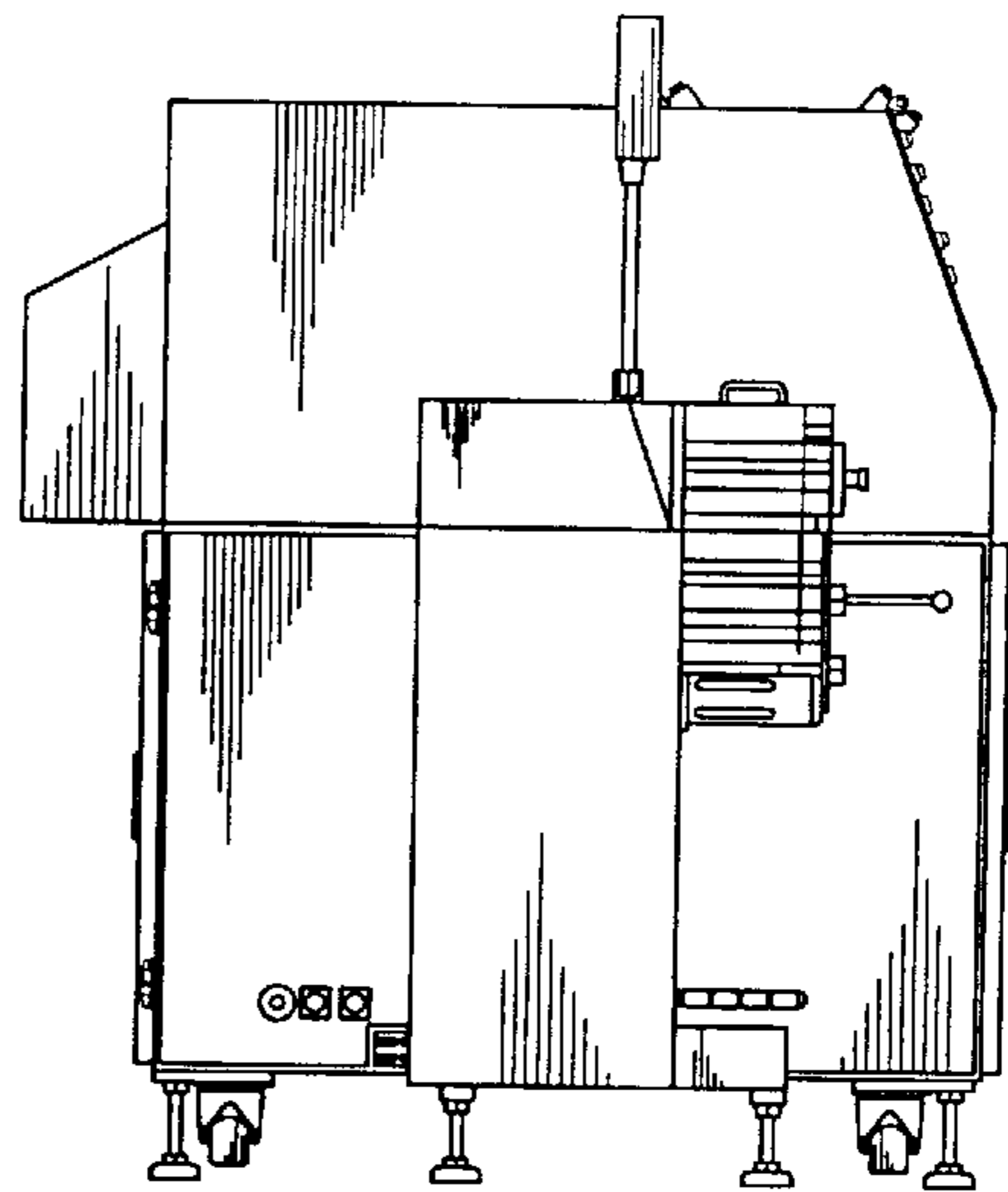


Fig-5

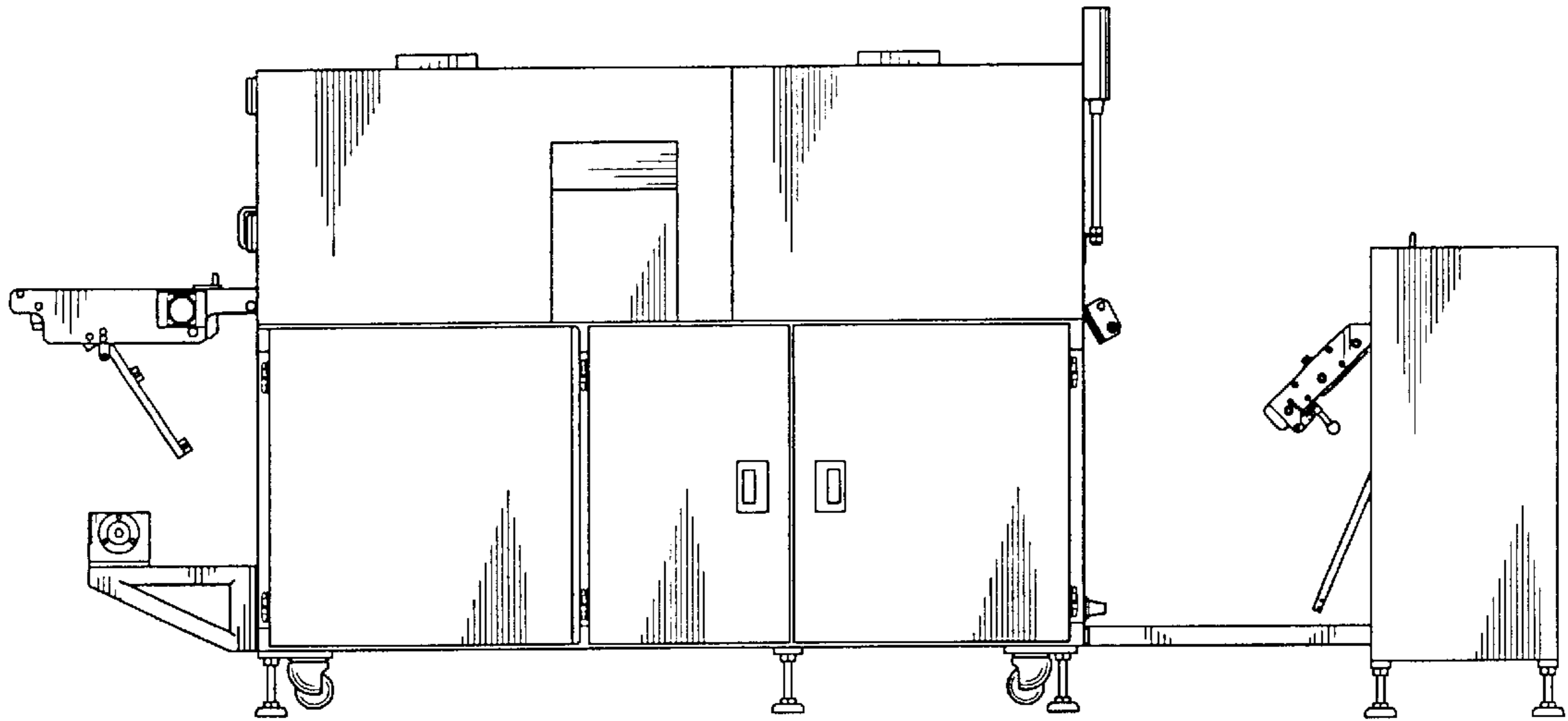


Fig-6

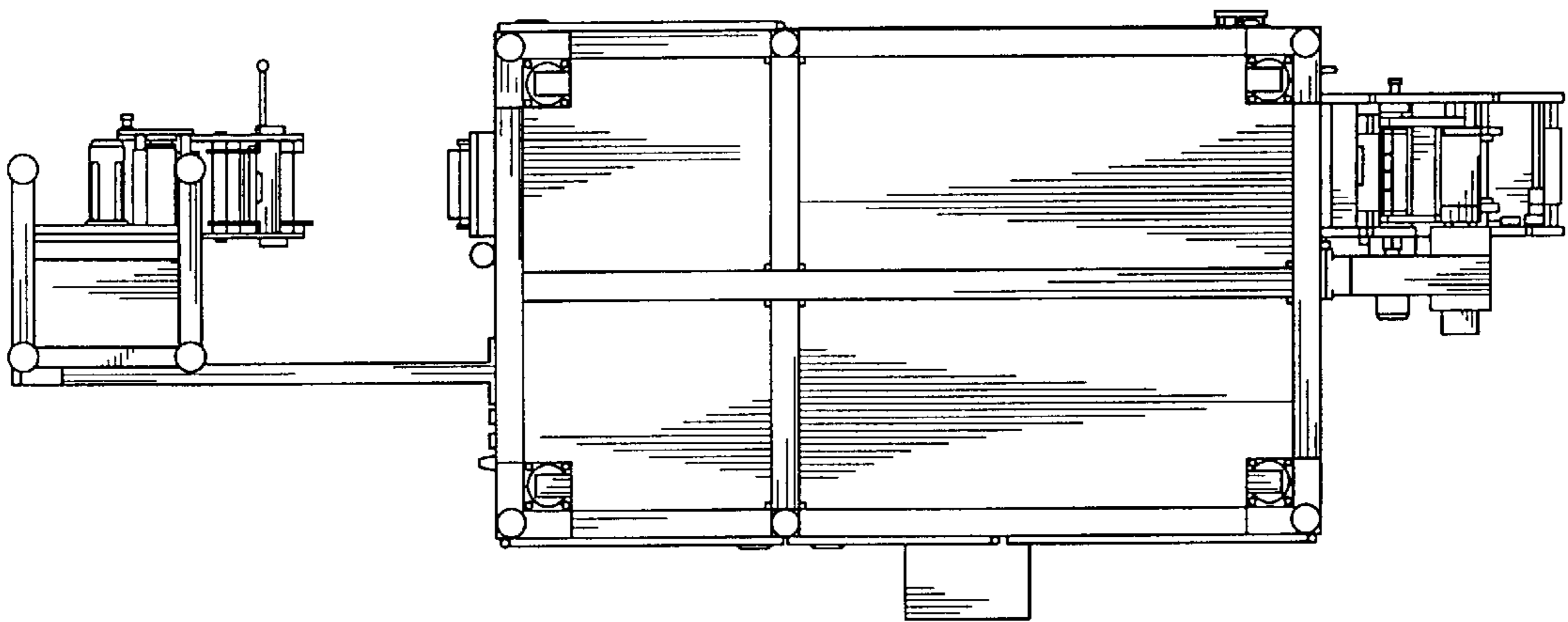


Fig-7