



US00D480411S

(12) **United States Design Patent**  
**Smith**

(10) **Patent No.:** **US D480,411 S**

(45) **Date of Patent:** **\*\* Oct. 7, 2003**

(54) **MOVIE CAMERA SUPPORT SLED**

(76) **Inventor:** **Howard James Smith**, 215 Marsland Road, Sale, Cheshire M33 3NR (GB)

(\*\*) **Term:** **14 Years**

(21) **Appl. No.:** **29/149,117**

(22) **Filed:** **Oct. 3, 2001**

(30) **Foreign Application Priority Data**

Apr. 6, 2001 (GB) ..... 2100924

(51) **LOC (7) Cl.** ..... **16-05**

(52) **U.S. Cl.** ..... **D16/242**

(58) **Field of Search** ..... D16/237, 242;  
224/908; 248/177.1, 187.1; 348/373-376;  
352/242, 243; 396/419, 420, 421, 422,  
428

(56) **References Cited**

**U.S. PATENT DOCUMENTS**

- 2,465,777 A \* 3/1949 Young ..... 248/187.1
- 4,222,654 A \* 9/1980 Bodenhamer ..... 396/428
- 4,375,653 A \* 3/1983 Staley ..... 348/373

- 5,173,563 A \* 12/1992 Gray ..... 42/94
- 5,538,212 A \* 7/1996 Kennedy ..... 396/428
- D399,863 S \* 10/1998 LaCicero ..... D16/242
- 5,908,181 A \* 6/1999 Valles-Navarro ..... 248/177.1
- 5,927,681 A \* 7/1999 Ovelman ..... 248/177.1

\* cited by examiner

*Primary Examiner*—Adir Aronovich

(74) *Attorney, Agent, or Firm*—Michael Best & Friedrich LLP

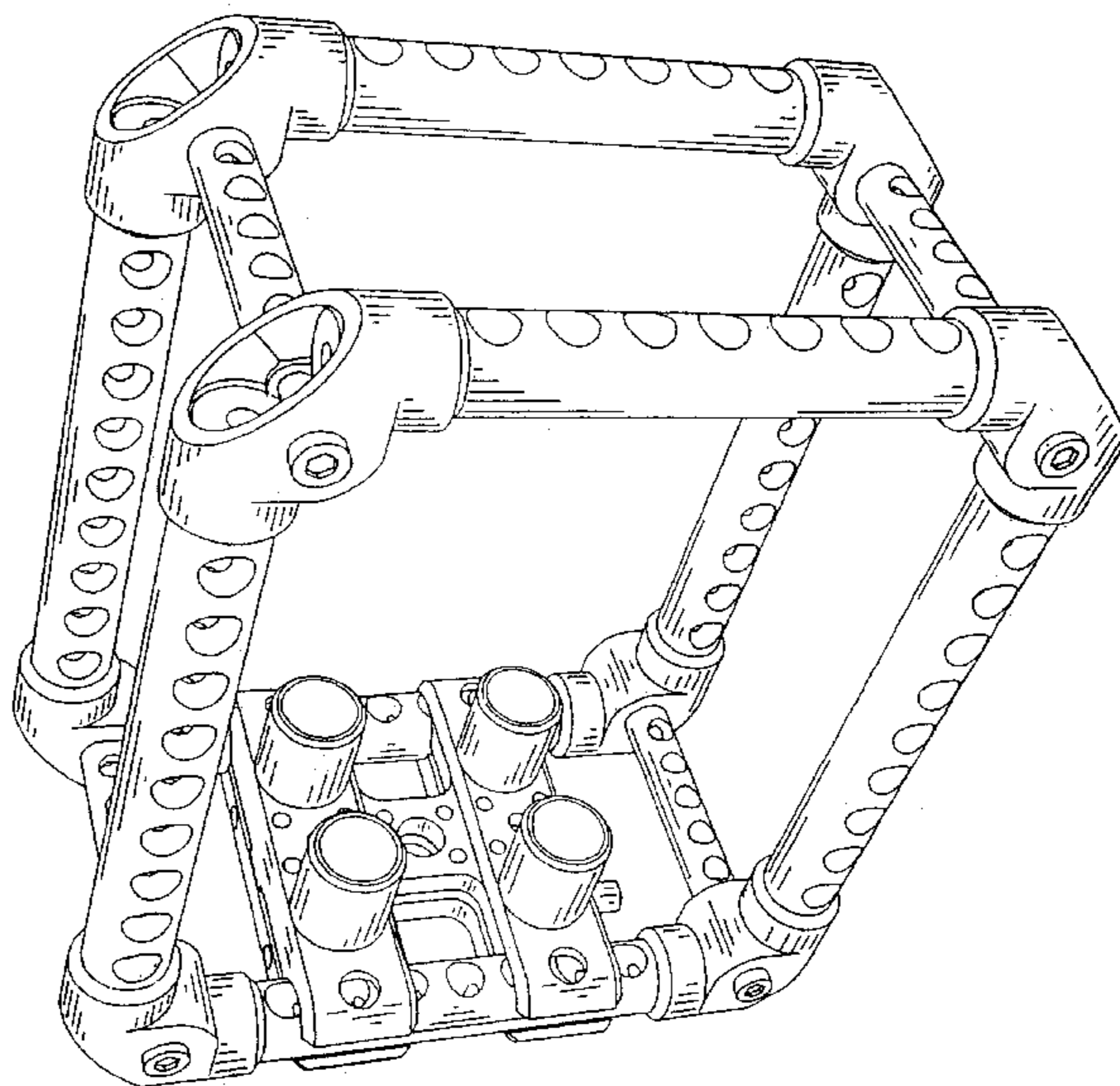
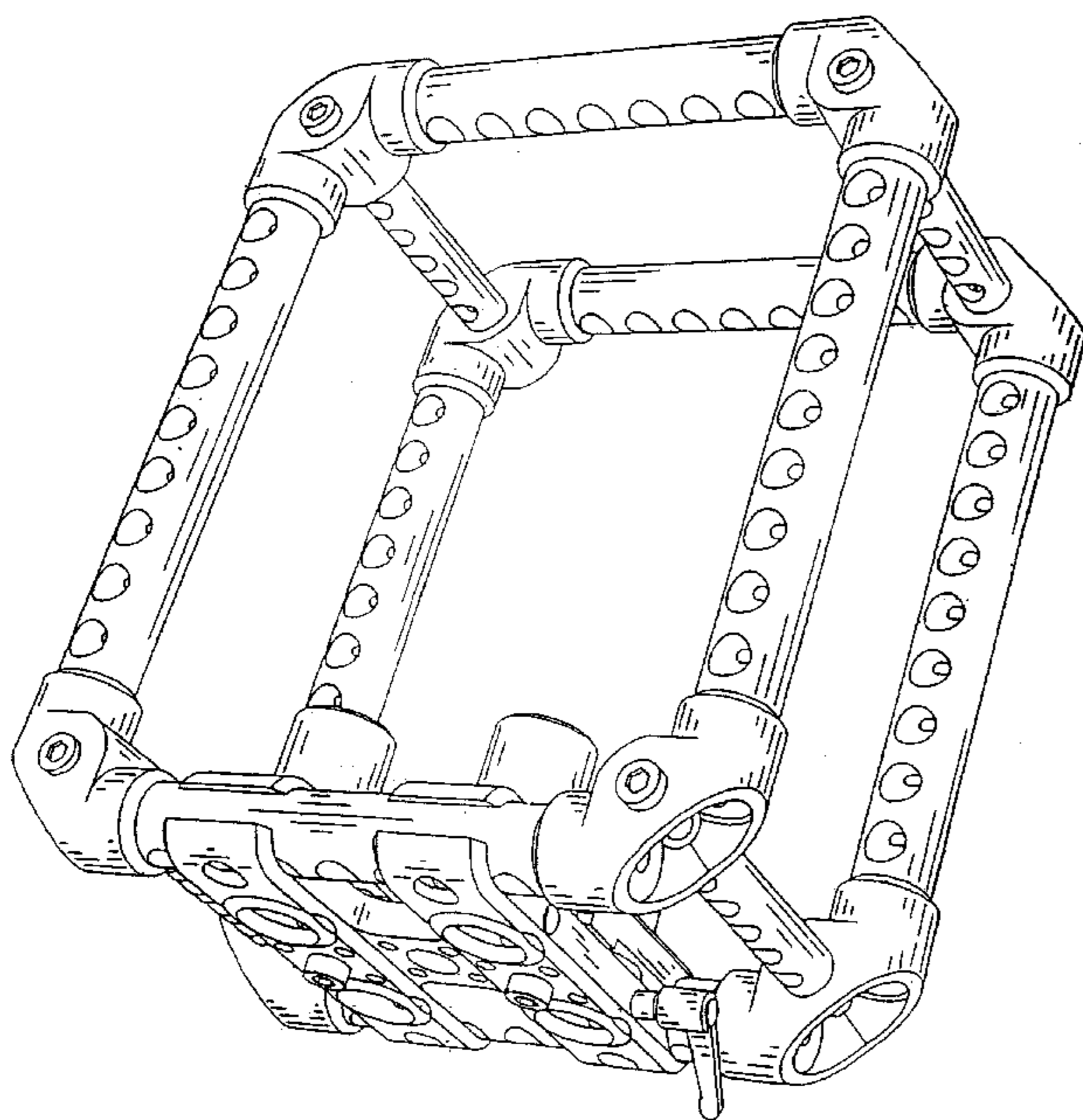
(57) **CLAIM**

The ornamental design for a movie camera support sled, as shown and described.

**DESCRIPTION**

FIG. 1 is a rear, bottom and right side perspective view of a movie camera support sled showing my new design;  
 FIG. 2 is a rear, top and left side perspective view thereof;  
 FIG. 3 is a front, bottom and left side perspective view thereof; and,  
 FIG. 4 is a front, bottom and right side perspective view thereof.

**1 Claim, 4 Drawing Sheets**



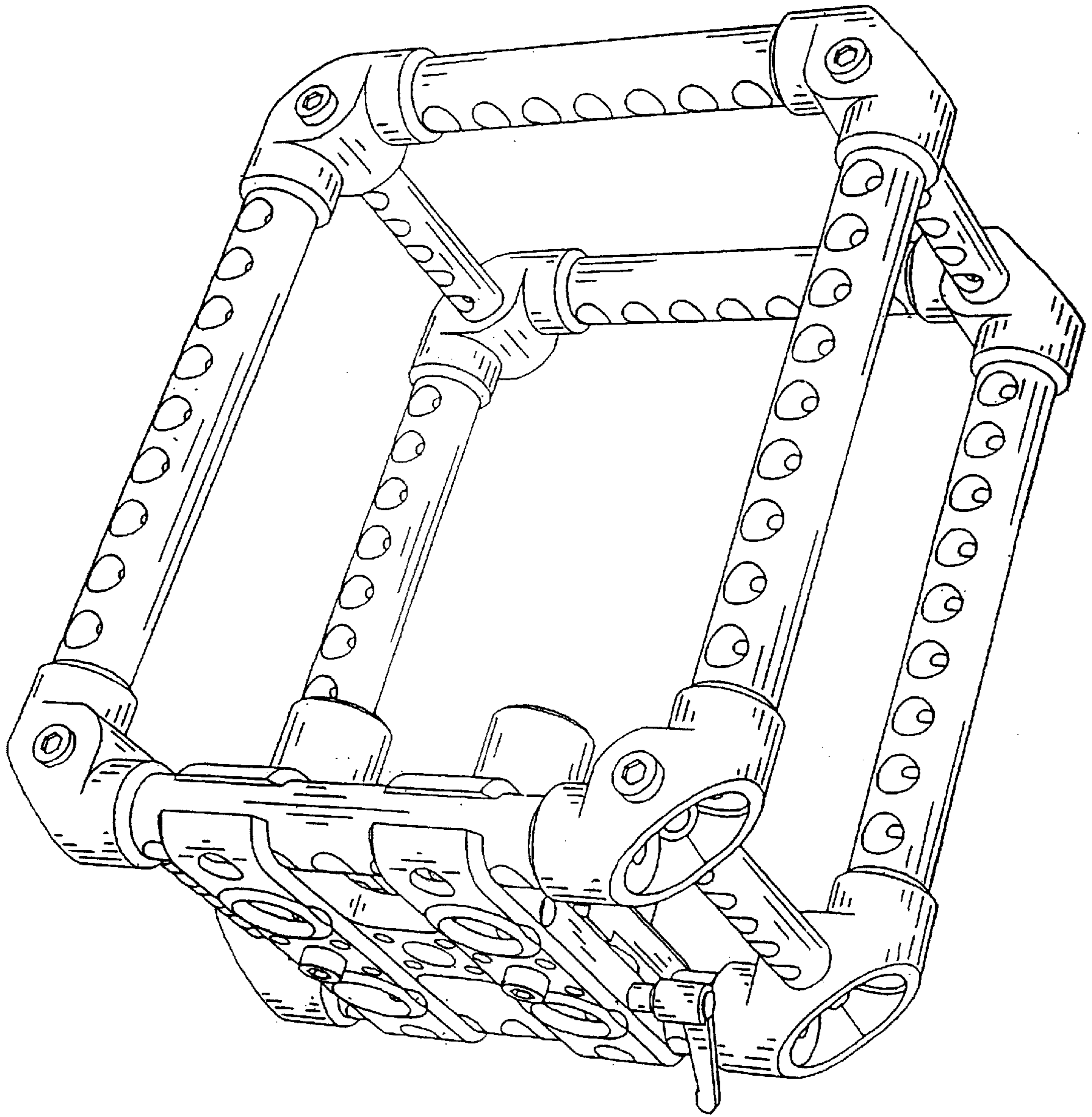


FIG. 1

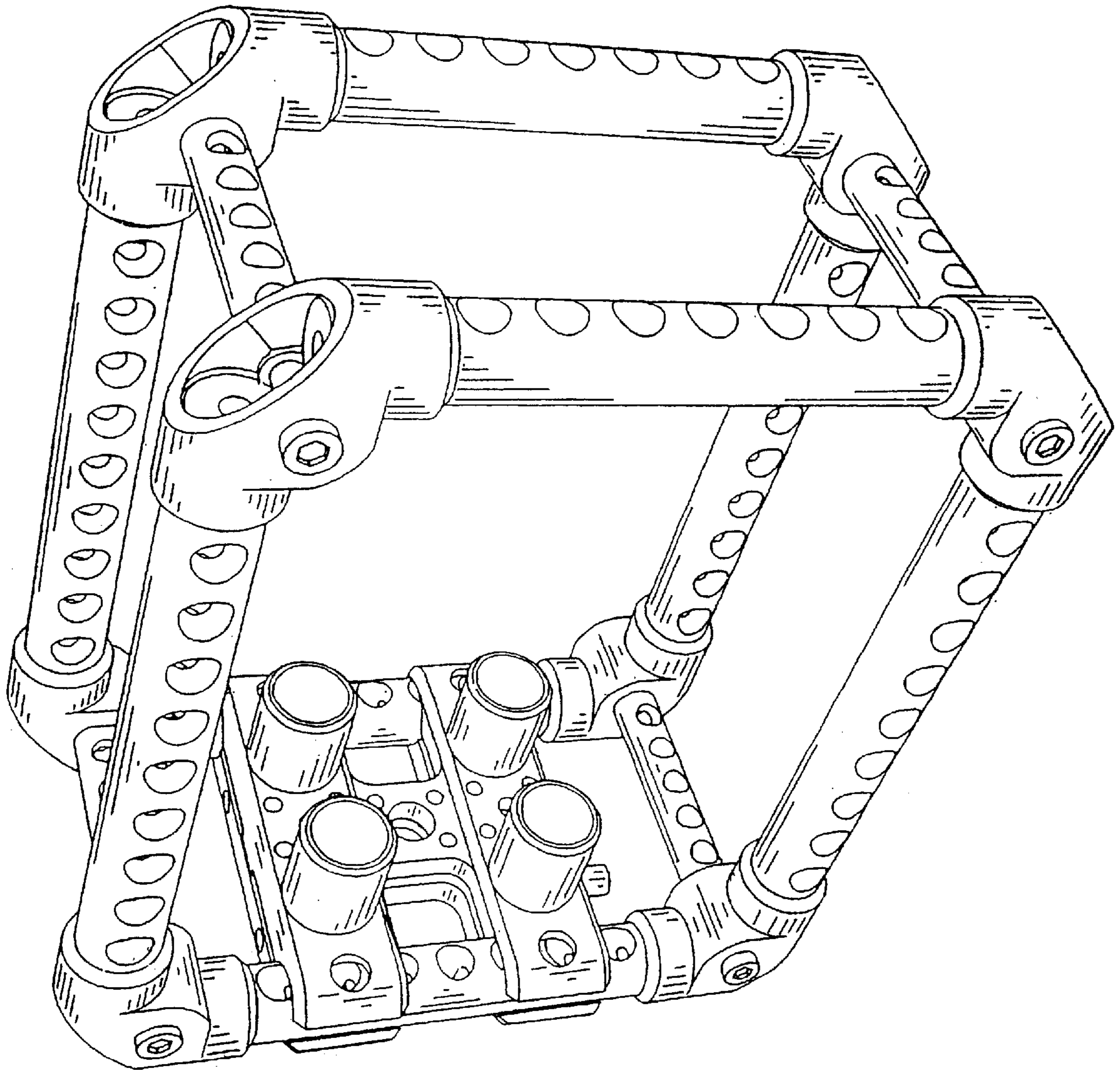


FIG. 2

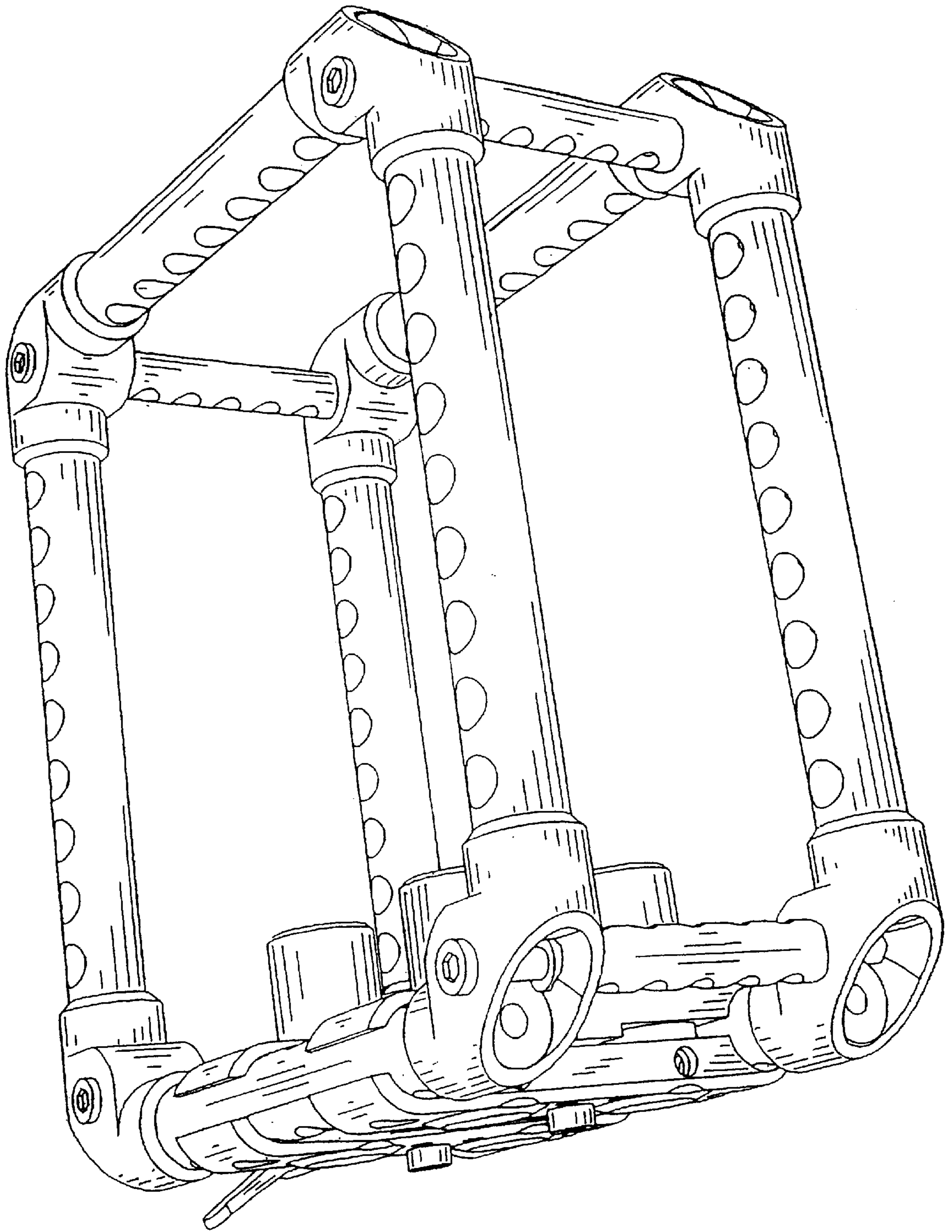


FIG. 3

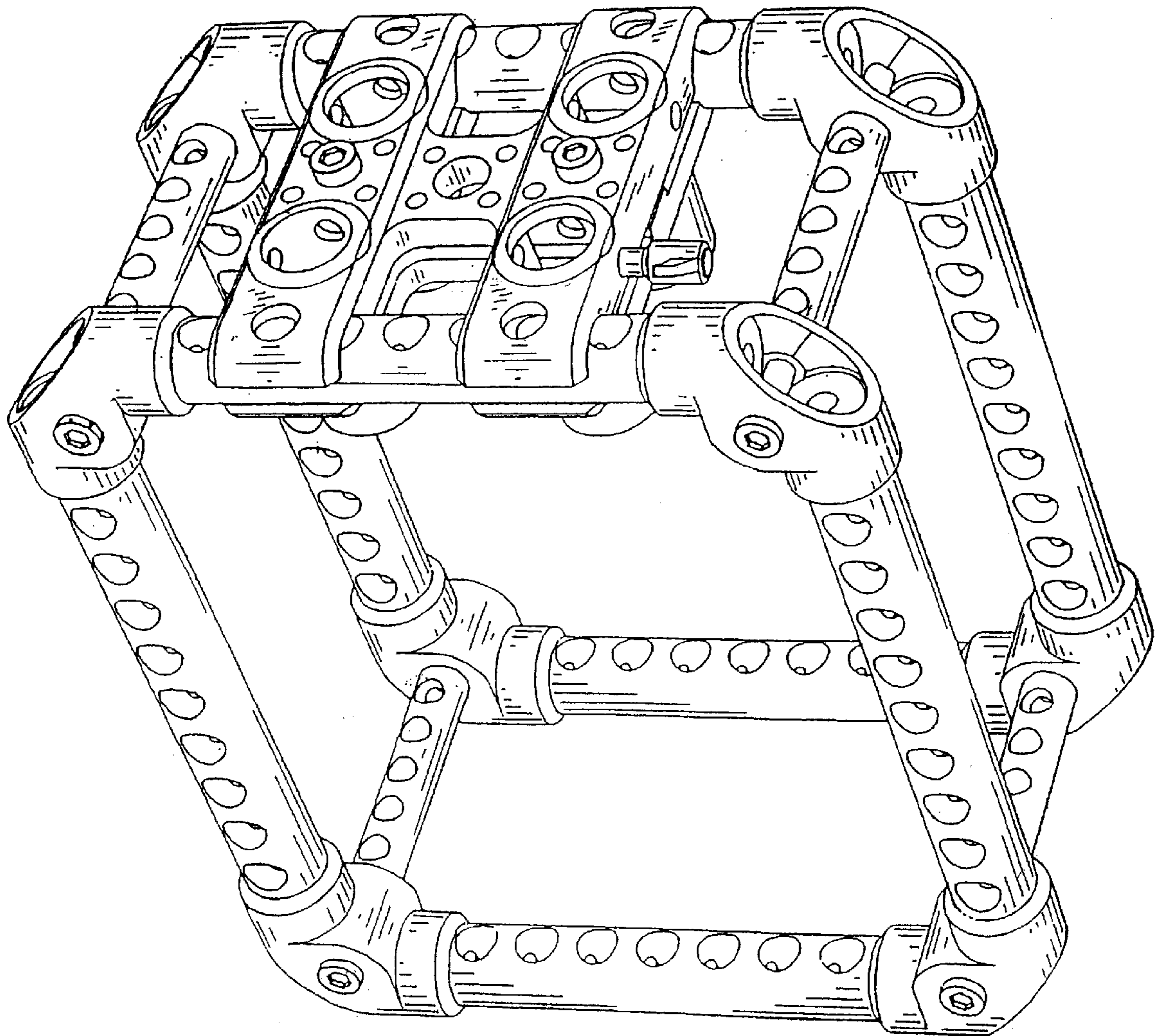


FIG. 4