



US00D480410S

(12) **United States Design Patent** (10) **Patent No.:** **US D480,410 S**
Morishita et al. (45) **Date of Patent:** **** Oct. 7, 2003**

(54) **VIDEO PROJECTOR**

D472,570 S * 4/2003 Takahashi D16/230
 2002/0048001 A1 * 4/2002 Fujimori 353/119

(75) Inventors: **Yoshihito Morishita**, Osaka (JP);
Sadayoshi Azuma, Kyoto (JP)

FOREIGN PATENT DOCUMENTS

(73) Assignee: **Matsushita Electric Industrial Co., Ltd.**, Osaka (JP)

JP	1094660	12/2000
JP	1094683	12/2000
JP	1145604	7/2002
WO	DM/058129	* 11/2001

(**) Term: **14 Years**

* cited by examiner

(21) Appl. No.: **29/173,499**

Primary Examiner—Adir Aronovich

(22) Filed: **Dec. 30, 2002**

(74) *Attorney, Agent, or Firm*—Christensen O'Connor Johnson Kindness PLLC

(30) **Foreign Application Priority Data**

Jul. 2, 2002 (JP) 2002-017772

(57) **CLAIM**

(51) **LOC (7) Cl.** **16-02**

The ornamental design for a video projector, as shown and described.

(52) **U.S. Cl.** **D16/230; D16/225**

DESCRIPTION

(58) **Field of Search** D16/205, 208,
D16/221, 225, 230, 231, 234; D21/514;
353/115, 119, 122

FIG. 1 is a perspective view of the top, front and right side of a video projector showing our new design;
 FIG. 2 is a front view thereof;
 FIG. 3 is a rear view thereof;
 FIG. 4 is a left side view thereof;
 FIG. 5 is a right side view thereof;
 FIG. 6 is a top plan view thereof; and,
 FIG. 7 is a bottom plan view thereof.

(56) **References Cited**

U.S. PATENT DOCUMENTS

D421,037 S	*	2/2000	Kawamoto et al.	D16/231
D425,097 S	*	5/2000	Kuramoto	D16/231
D437,337 S	*	2/2001	Kawasaki et al.	D16/230
D454,360 S	*	3/2002	Shimizu et al.	D16/230

1 Claim, 5 Drawing Sheets

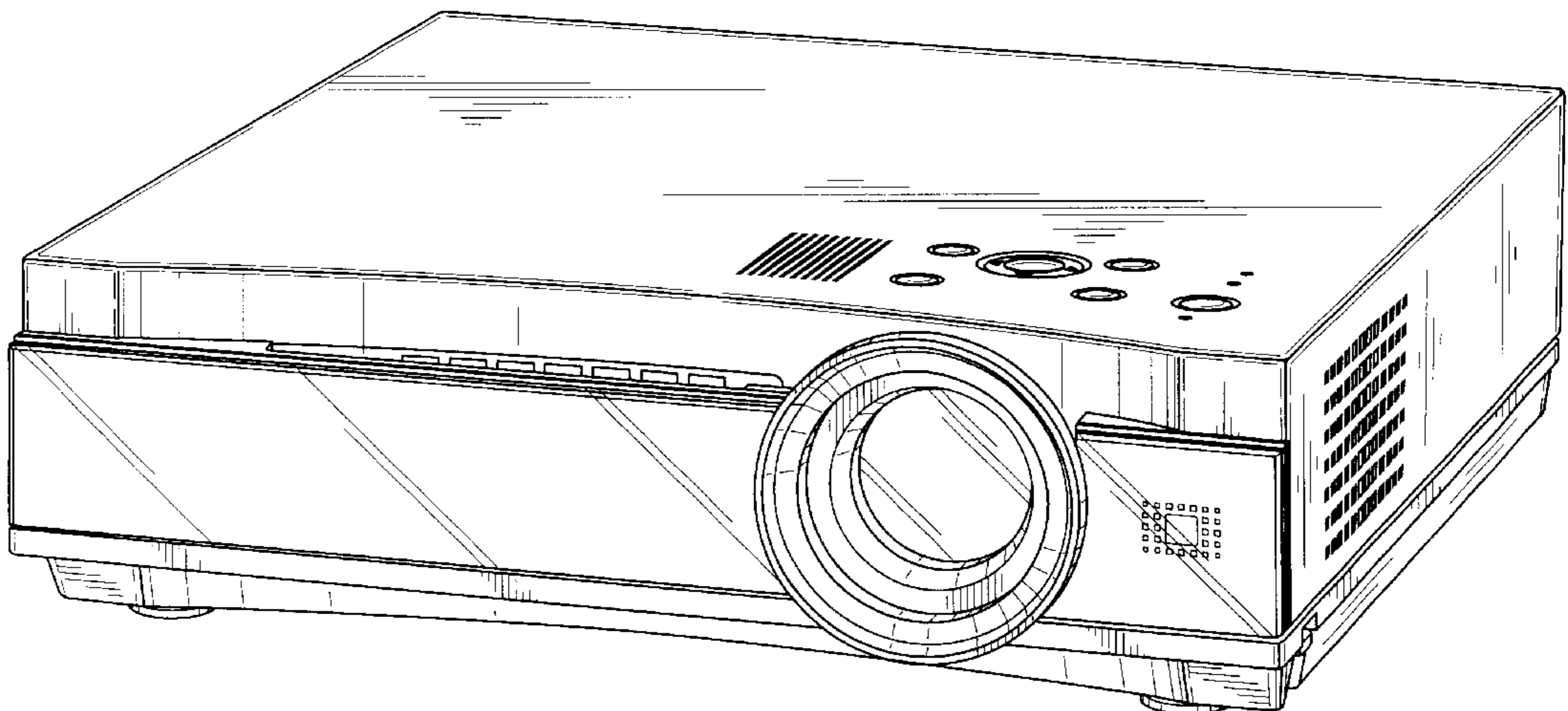


FIG. 1

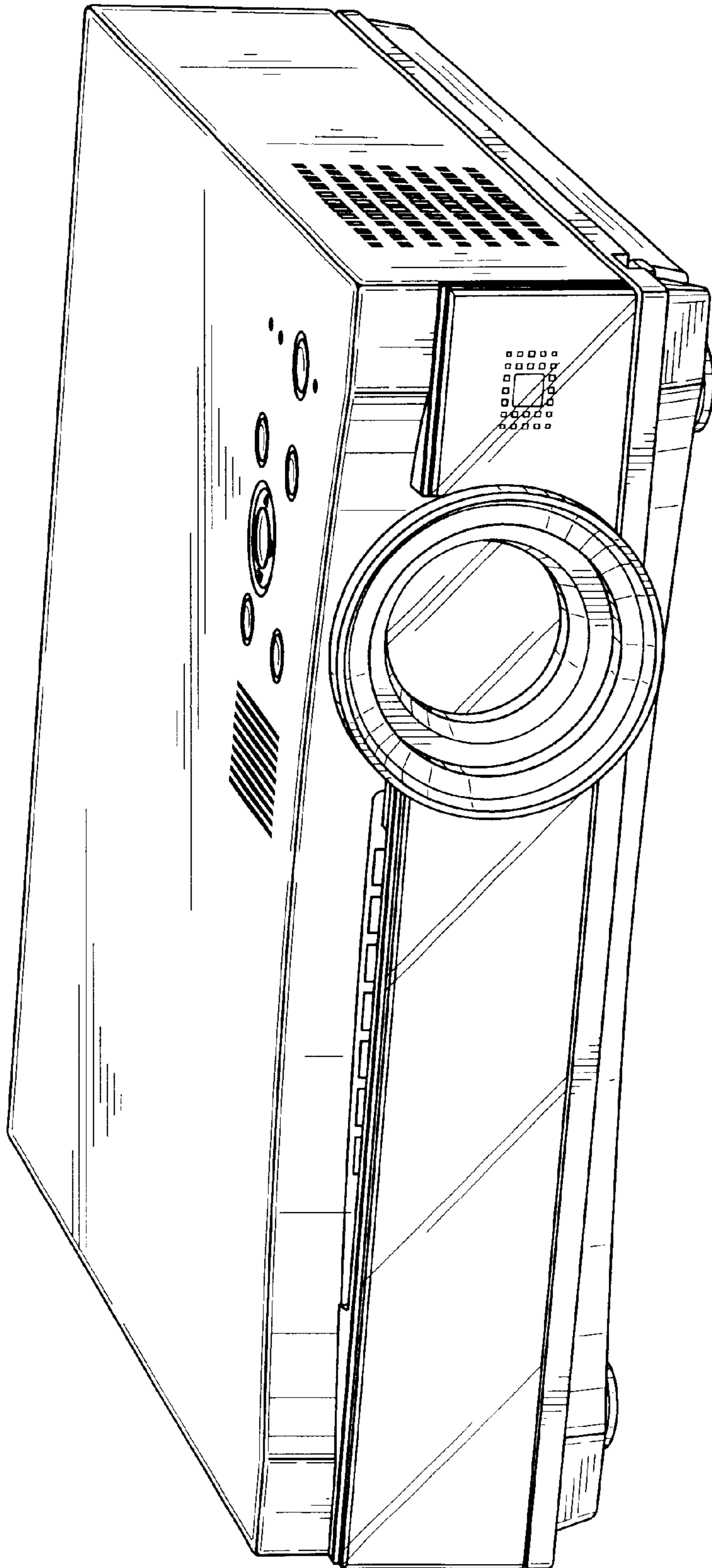


FIG. 2

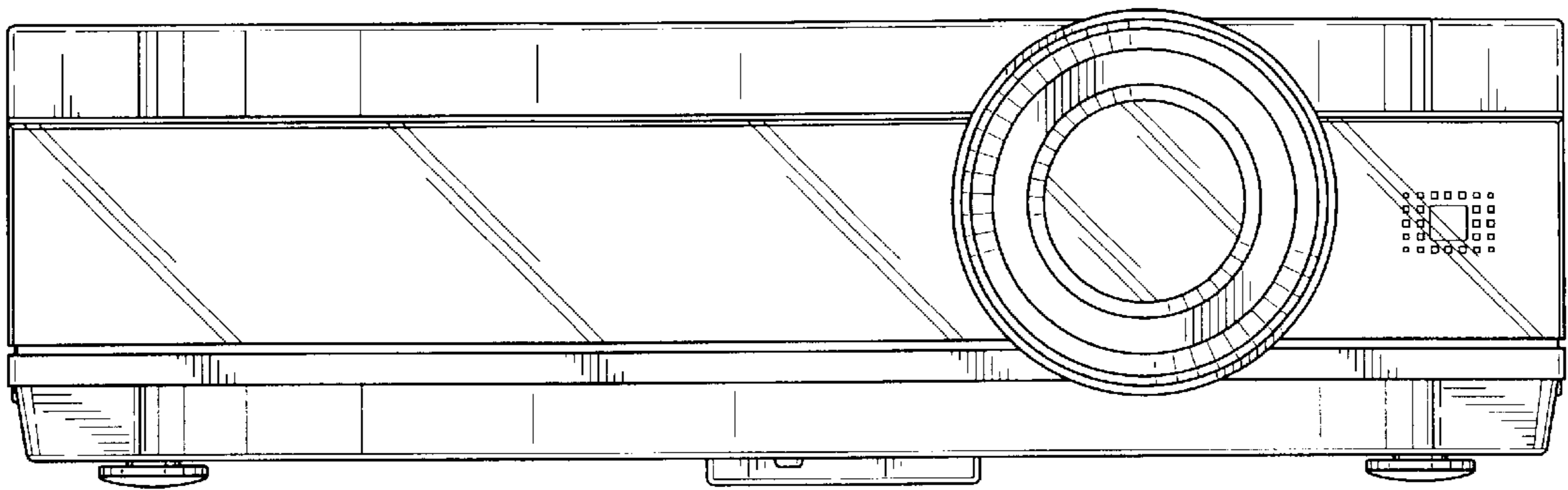


FIG. 3

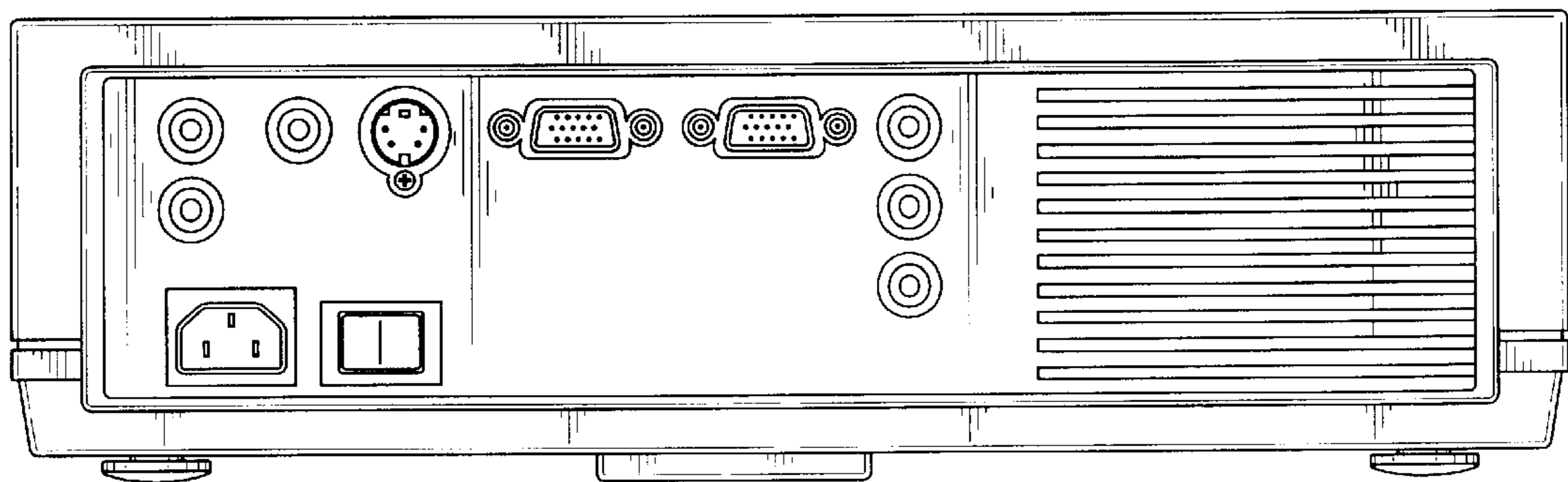


FIG. 4

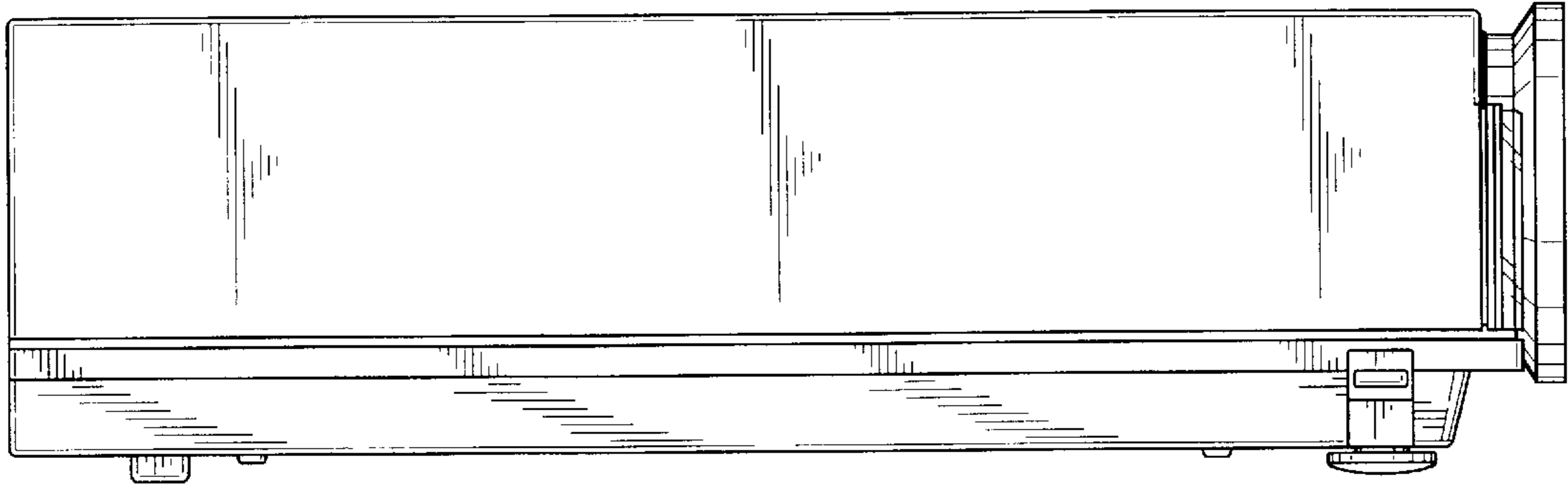


FIG. 5

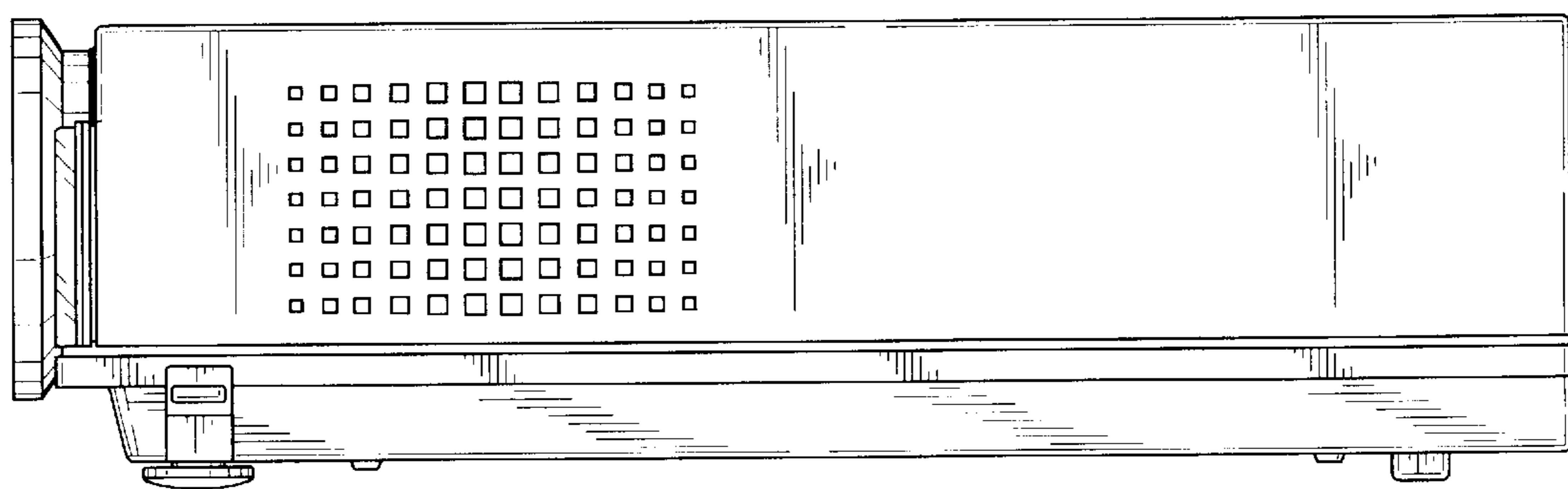


FIG. 6

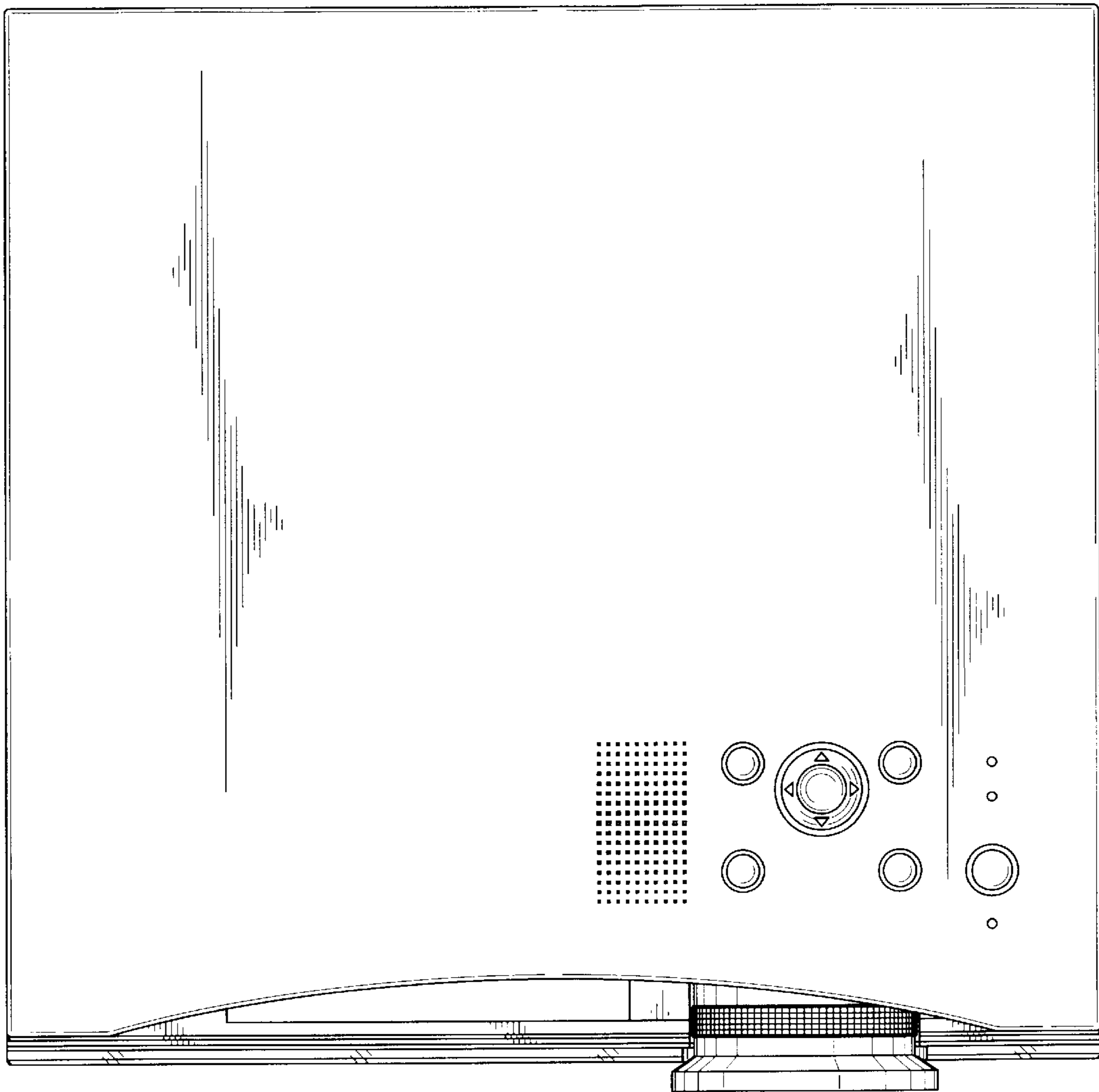


FIG. 7

