



US00D480409S

(12) **United States Design Patent**
Wang et al.

(10) **Patent No.:** **US D480,409 S**

(45) **Date of Patent:** **** Oct. 7, 2003**

(54) **PROJECTOR**

2002/0140909 A1 * 10/2002 Tanaka 353/119

(75) Inventors: **Chien-Jui Wang**, Taipei (TW);
Chun-Hsiung Yin, Yungkuang (TW);
Wen-Ming Wu, Taipei (TW)

FOREIGN PATENT DOCUMENTS

JP 1094683 * 12/2000

* cited by examiner

Primary Examiner—Adir Aronovich

(73) Assignee: **BenQ Corporation**, Taoyuan (TW)

(74) *Attorney, Agent, or Firm*—Ladas & Parry

(**) Term: **14 Years**

(57) **CLAIM**

(21) Appl. No.: **29/170,648**

The ornamental design for a projector, as shown and described.

(22) Filed: **Nov. 7, 2002**

(51) **LOC (7) Cl.** **16-02**

DESCRIPTION

(52) **U.S. Cl.** **D16/230; D16/225**

(58) **Field of Search** D16/205, 208,
D16/221, 225, 230, 231, 234; D21/514;
353/115, 119, 122

FIG. 1 is a front right perspective view of a projector showing our new design;

FIG. 2 is a right side elevational view thereof;

FIG. 3 is a top plan view thereof;

FIG. 4 is a front elevational view thereof;

FIG. 5 is a bottom plan view thereof;

FIG. 6 is a left side elevational view thereof;

FIG. 7 is a rear elevational view thereof;

FIG. 8 is a front left perspective view thereof; and,

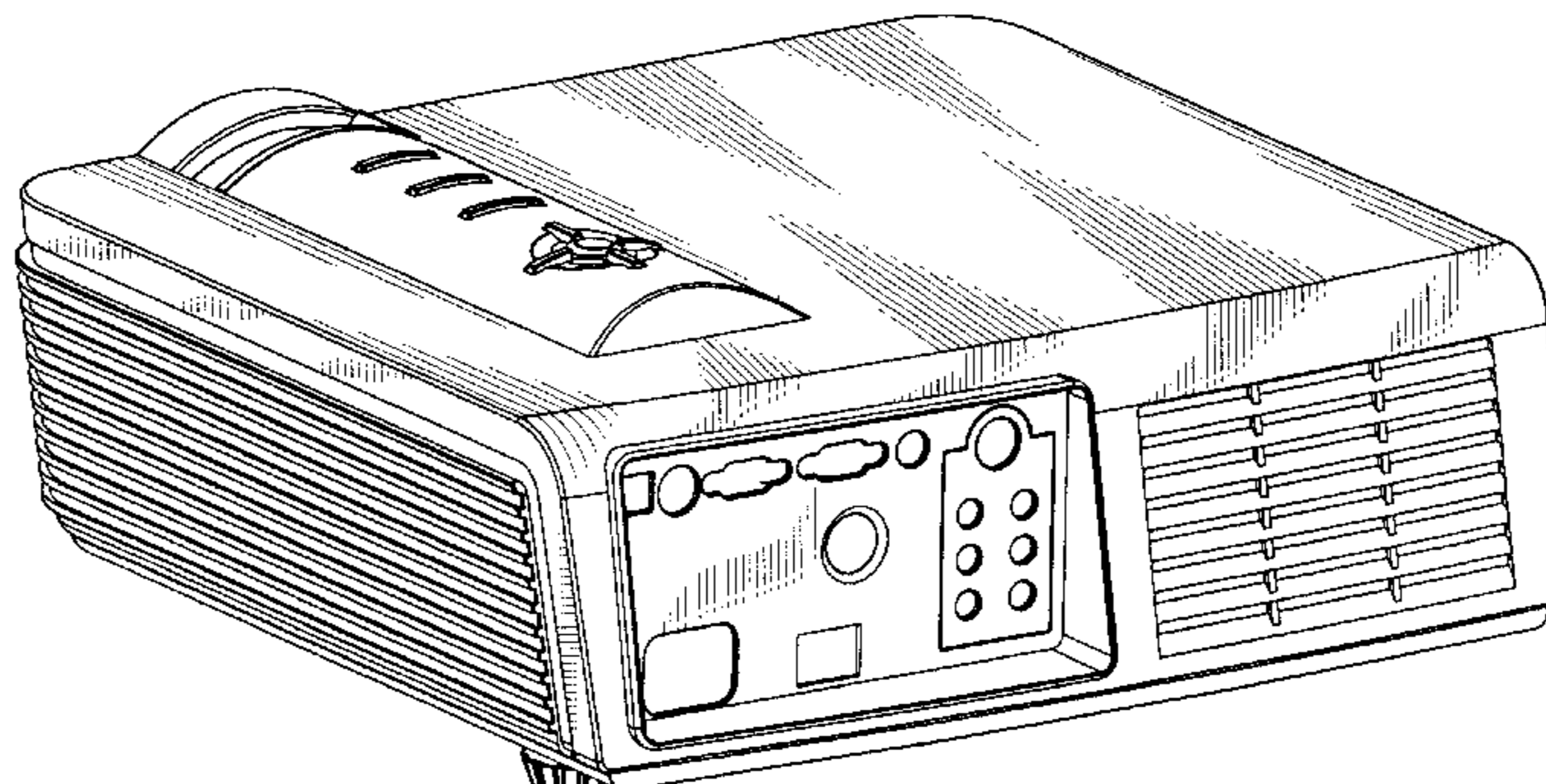
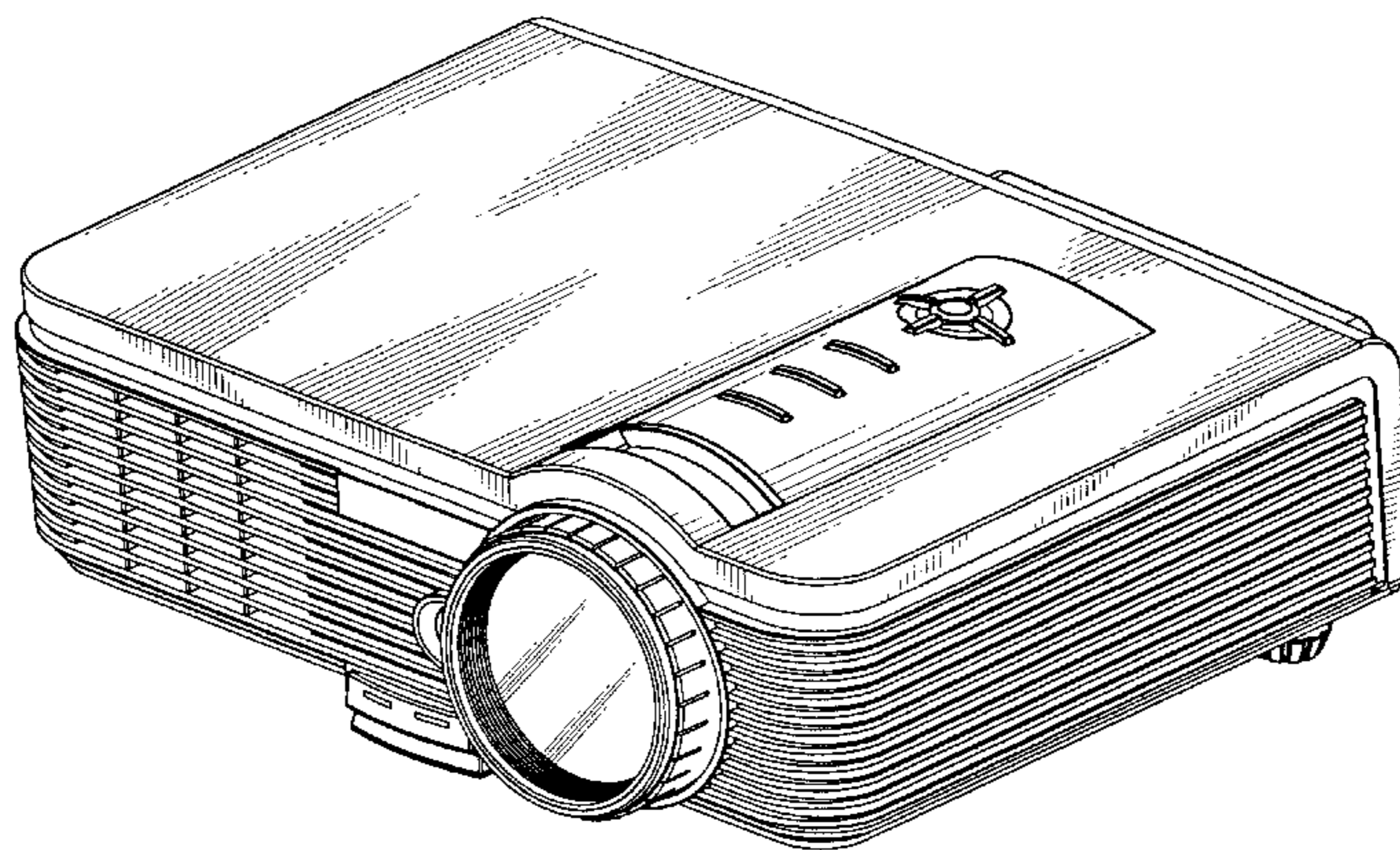
FIG. 9 is a rear perspective view thereof.

(56) **References Cited**

U.S. PATENT DOCUMENTS

D428,619 S	*	7/2000	Saeki et al.	D16/230
D437,337 S	*	2/2001	Kawasaki et al.	D16/230
D454,360 S	*	3/2002	Shimizu et al.	D16/230
D466,143 S	*	11/2002	Torikai	D16/230
6,491,399 B1	*	12/2002	Fujimori	353/119
D470,525 S	*	2/2003	Nakayama et al.	D16/231

1 Claim, 9 Drawing Sheets



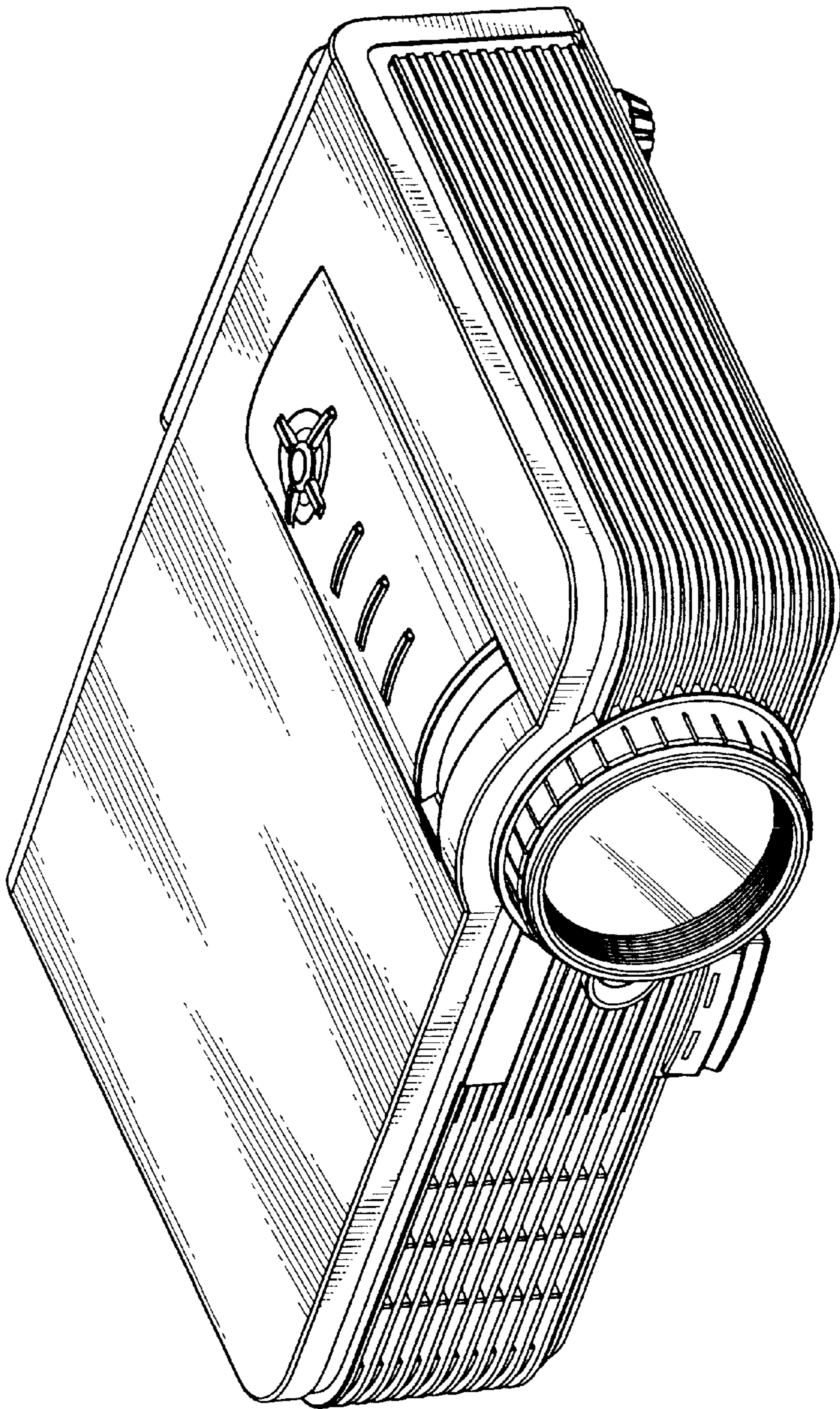


FIG. 1

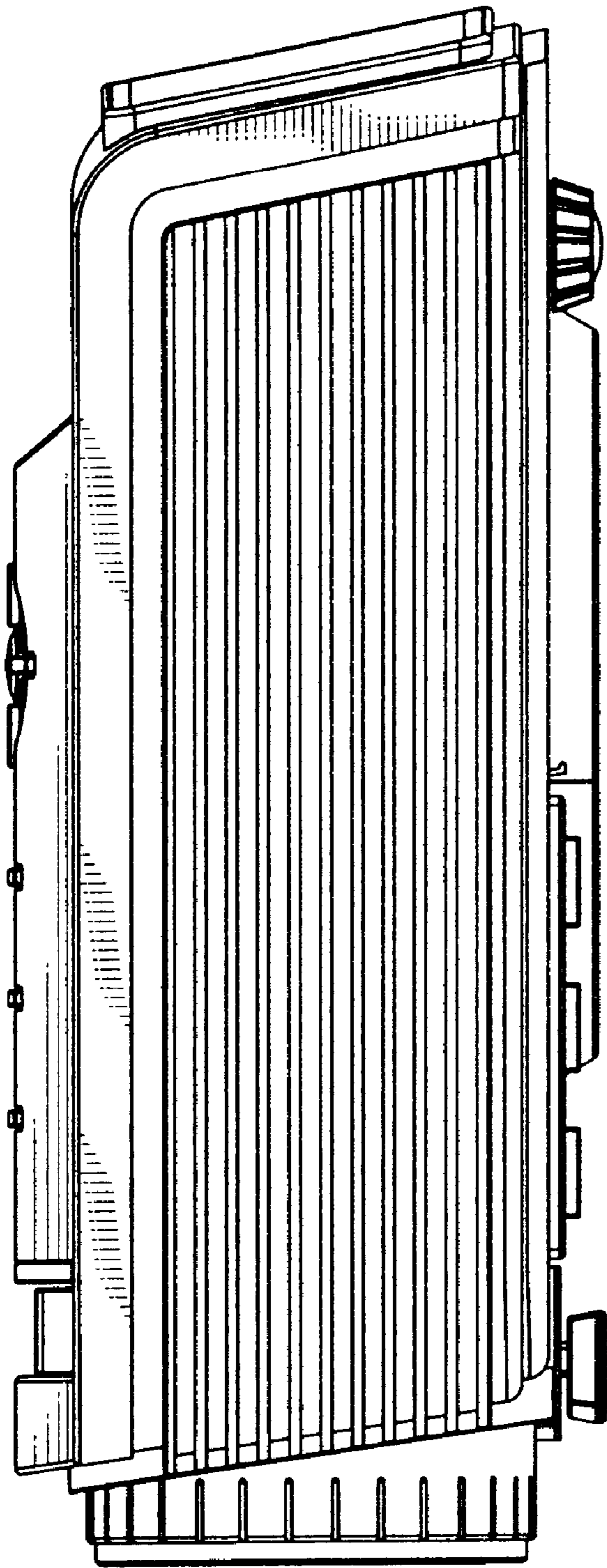


FIG. 2

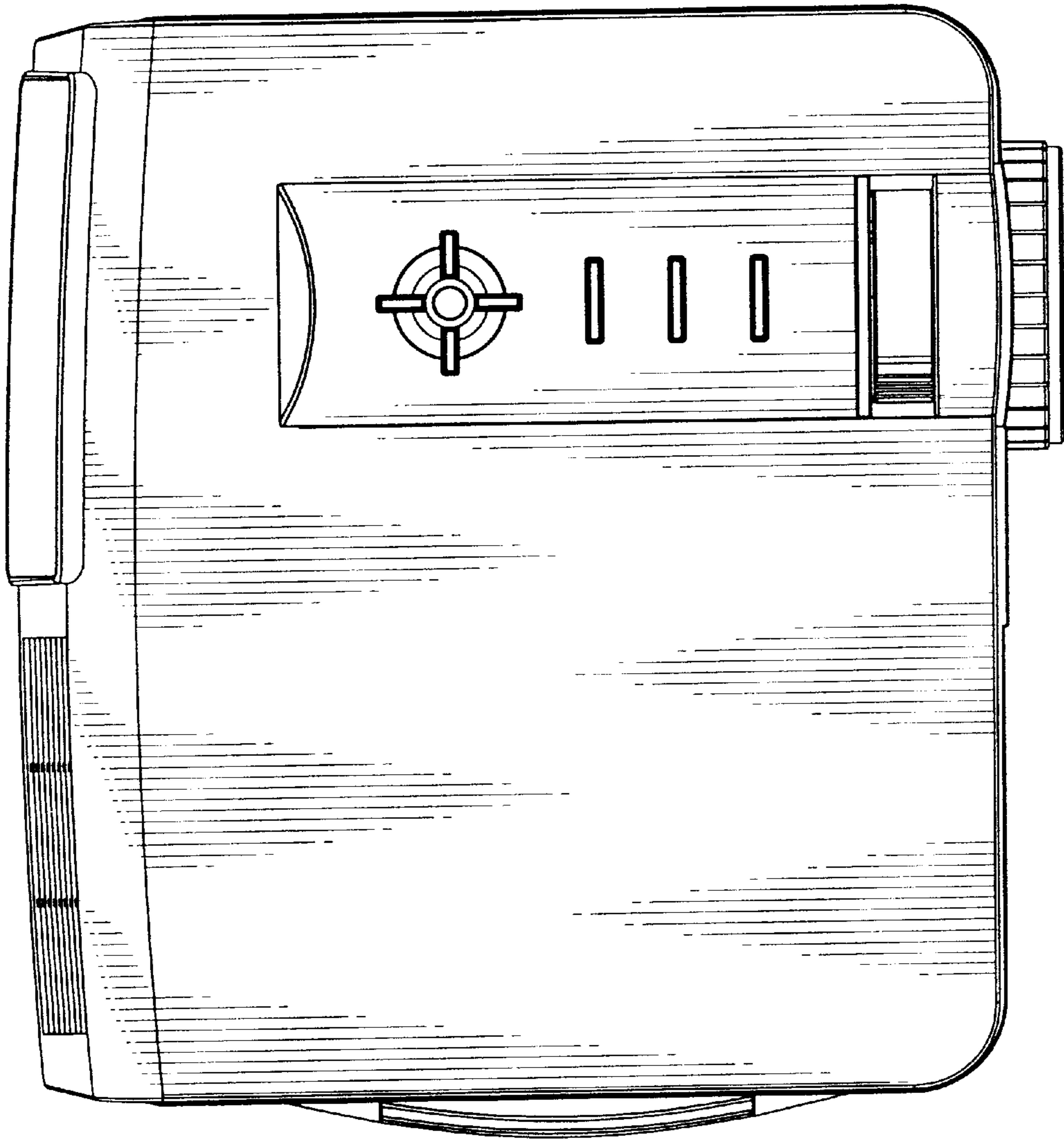


FIG. 3

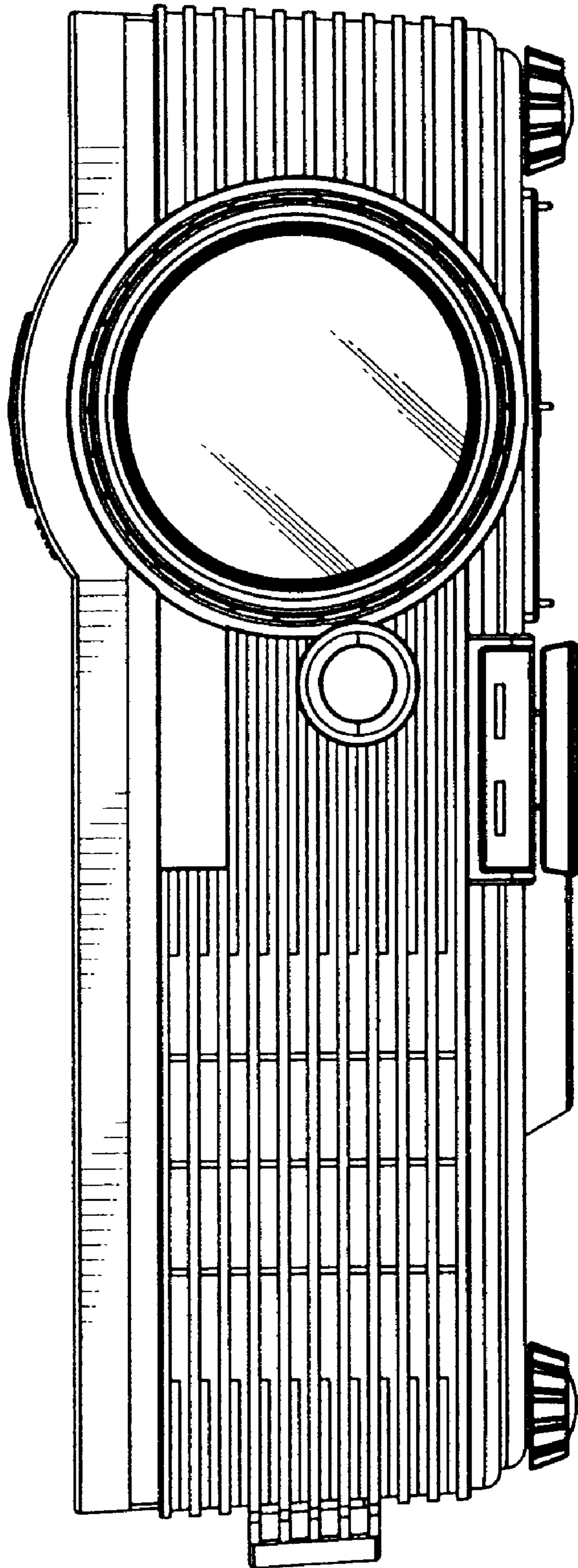


FIG. 4

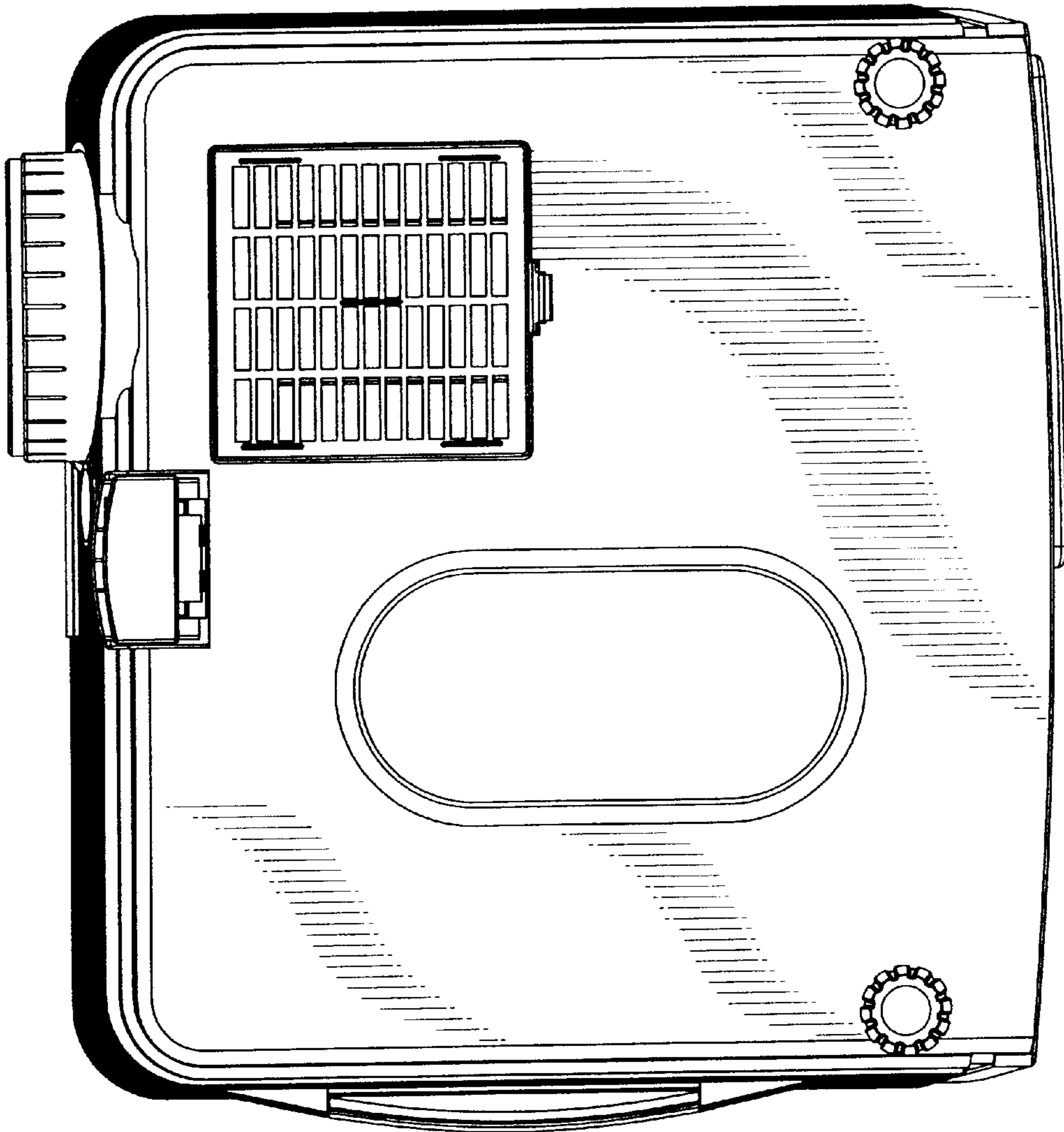


FIG. 5

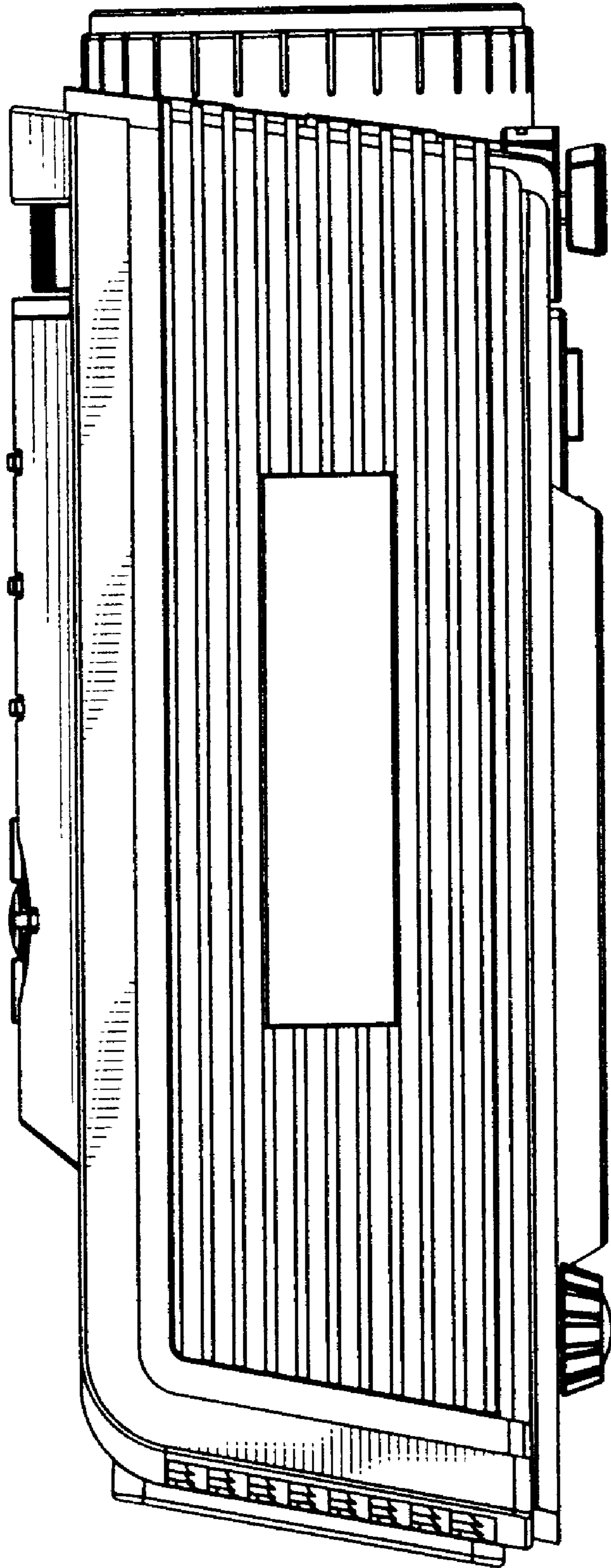


FIG. 6

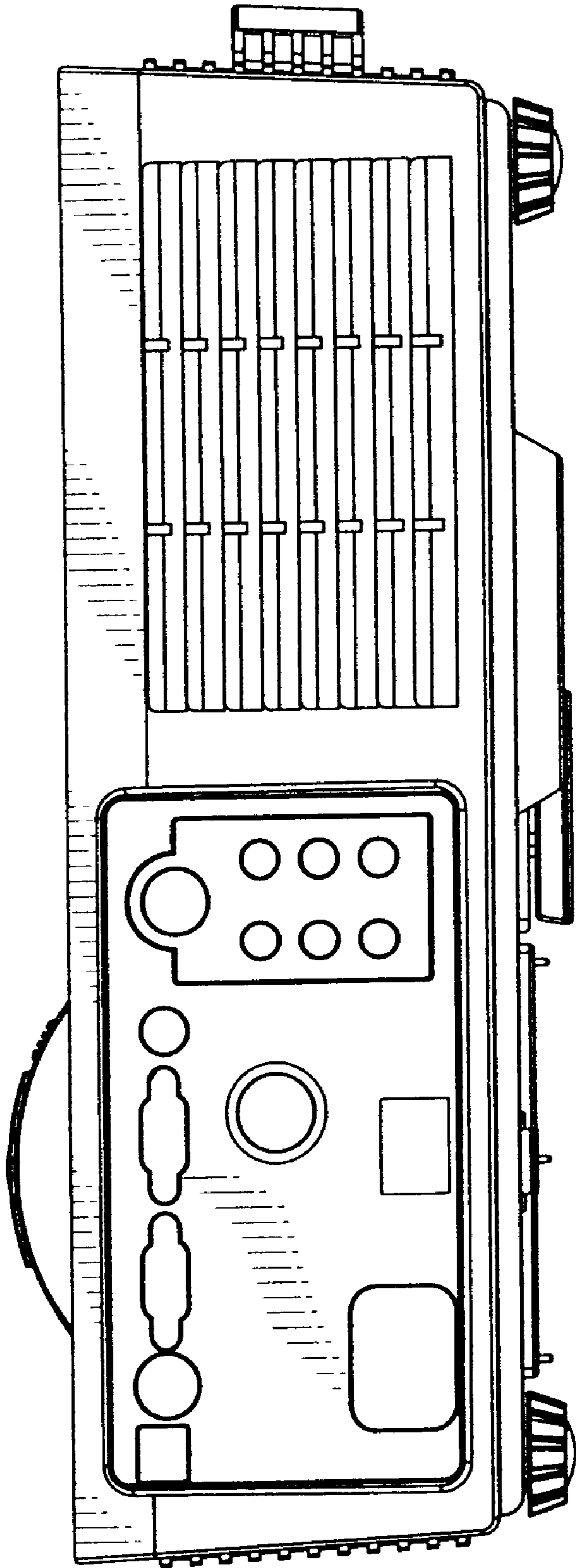


FIG. 7

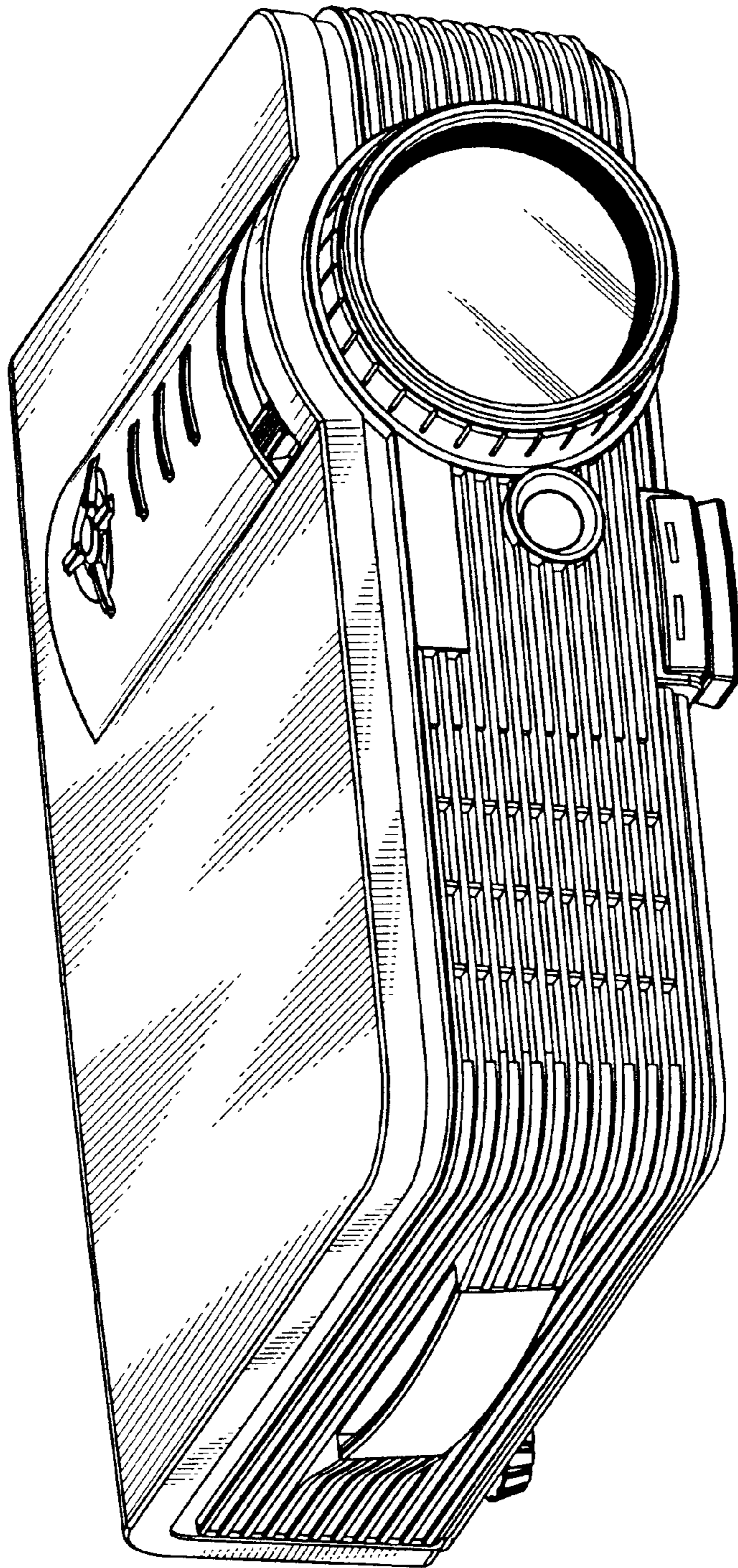


FIG. 8

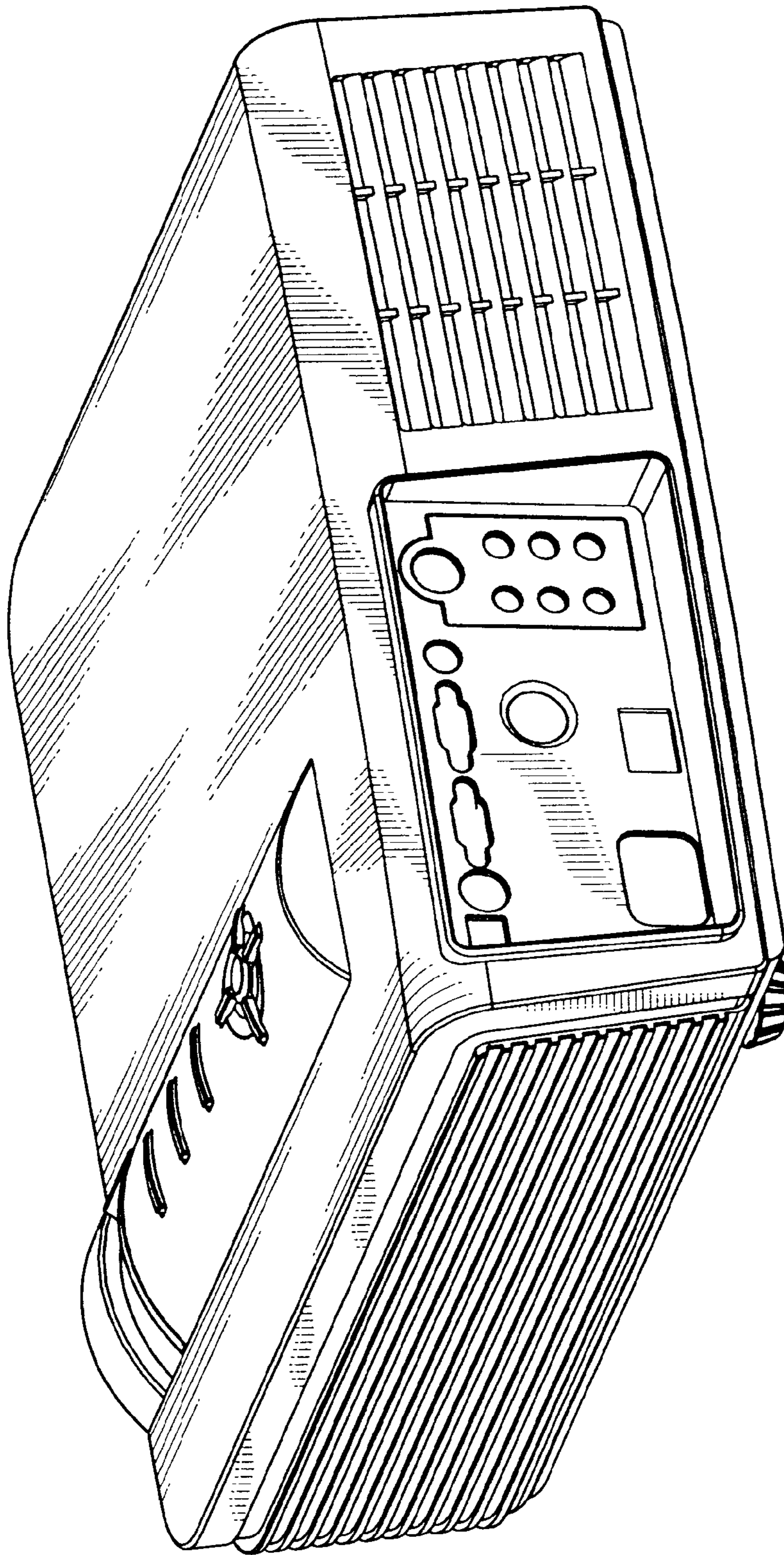


FIG. 9