



US00D480407S

(12) **United States Design Patent**
Yamaguchi

(10) **Patent No.:** **US D480,407 S**

(45) **Date of Patent:** **** *Oct. 7, 2003**

(54) **CAMERA**

(75) **Inventor:** **Hiroshi Yamaguchi, Hino (JP)**

(73) **Assignee:** **Konica Corporation, Tokyo (JP)**

(*) **Notice:** This patent is subject to a terminal disclaimer.

(**) **Term:** **14 Years**

(21) **Appl. No.:** **29/164,624**

(22) **Filed:** **Jul. 29, 2002**

(30) **Foreign Application Priority Data**

Feb. 4, 2002 (JP) 2002-002490

(51) **LOC (7) Cl.** **16-01**

(52) **U.S. Cl.** **D16/218**

(58) **Field of Search** D16/200-205,
D16/208, 209, 218; 396/6, 7, 535-541

(56) **References Cited**

U.S. PATENT DOCUMENTS

D371,563 S * 7/1996 Chapman et al. D16/218

D382,888 S * 8/1997 Isozaki D16/208

5,907,720 A * 5/1999 Kawamura 396/6
D412,923 S * 8/1999 Takaba D16/218
D418,529 S * 1/2000 Nihei et al. D16/208
D462,977 S * 9/2002 Yamaguchi D16/209

* cited by examiner

Primary Examiner—Adir Aronovich

(74) *Attorney, Agent, or Firm*—Frishauf, Holtz, Goodman & Chick, P.C.

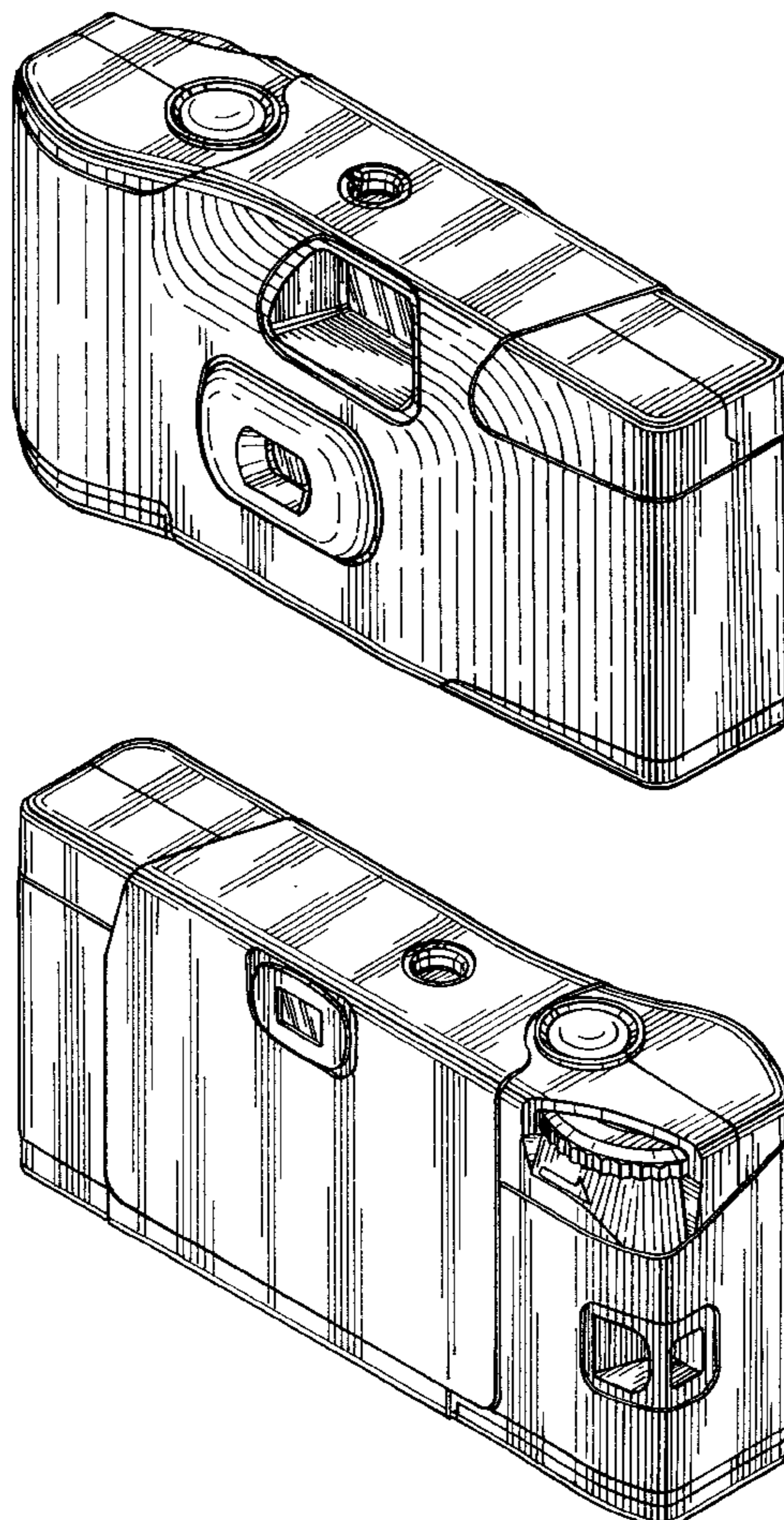
(57) **CLAIM**

The ornamental design for a camera, as shown.

DESCRIPTION

FIG. 1 is a front elevational view of a camera showing my new design;
FIG. 2 is a rear elevational view thereof;
FIG. 3 is a top plan view thereof;
FIG. 4 is a bottom plan view thereof;
FIG. 5 is a right side elevational view thereof;
FIG. 6 is a left side elevational view thereof; and
FIG. 7 is a front, top, right side perspective view thereof; and,
FIG. 8 is a rear, top, left side perspective view thereof.

1 Claim, 2 Drawing Sheets



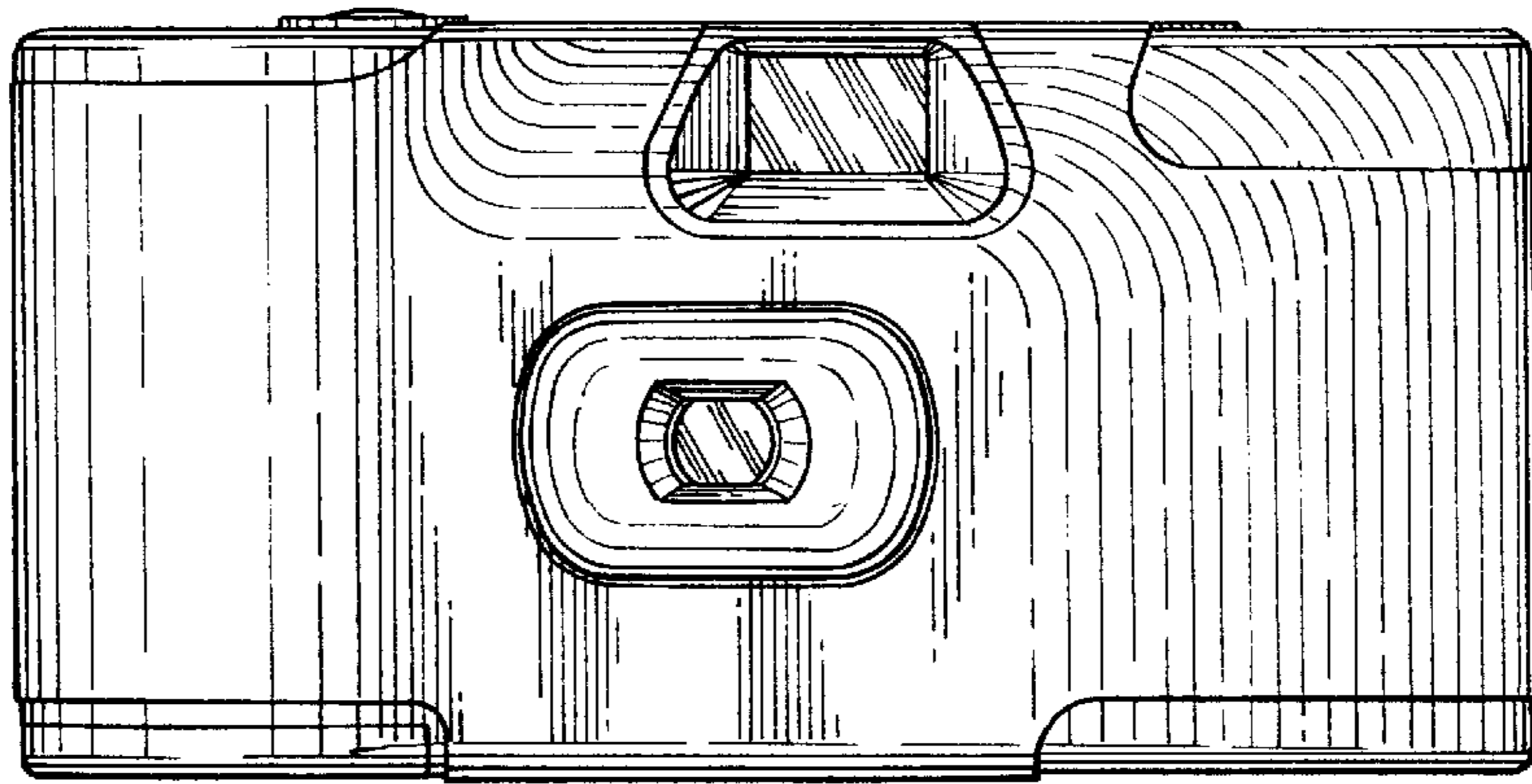


Fig. 1

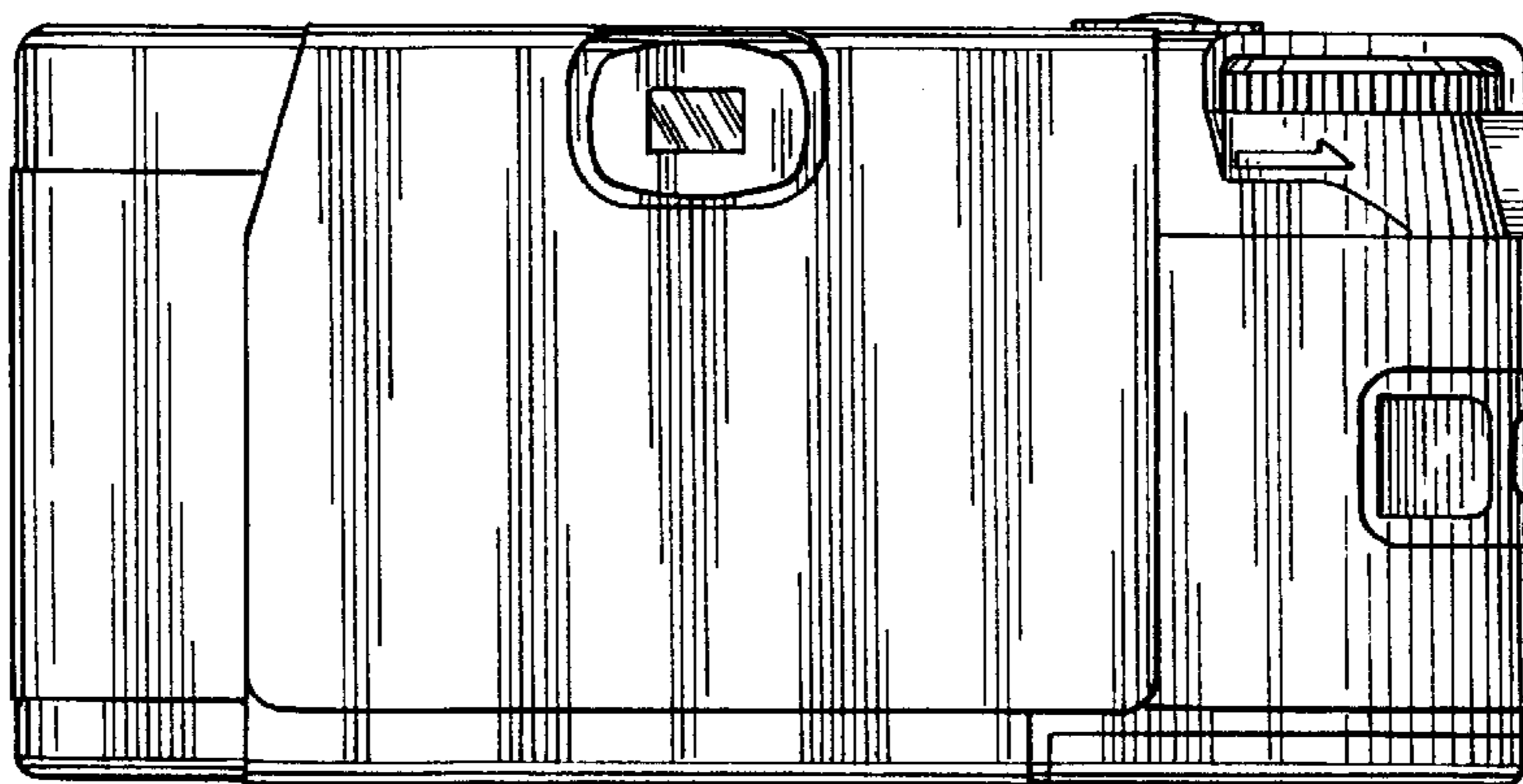


Fig. 2

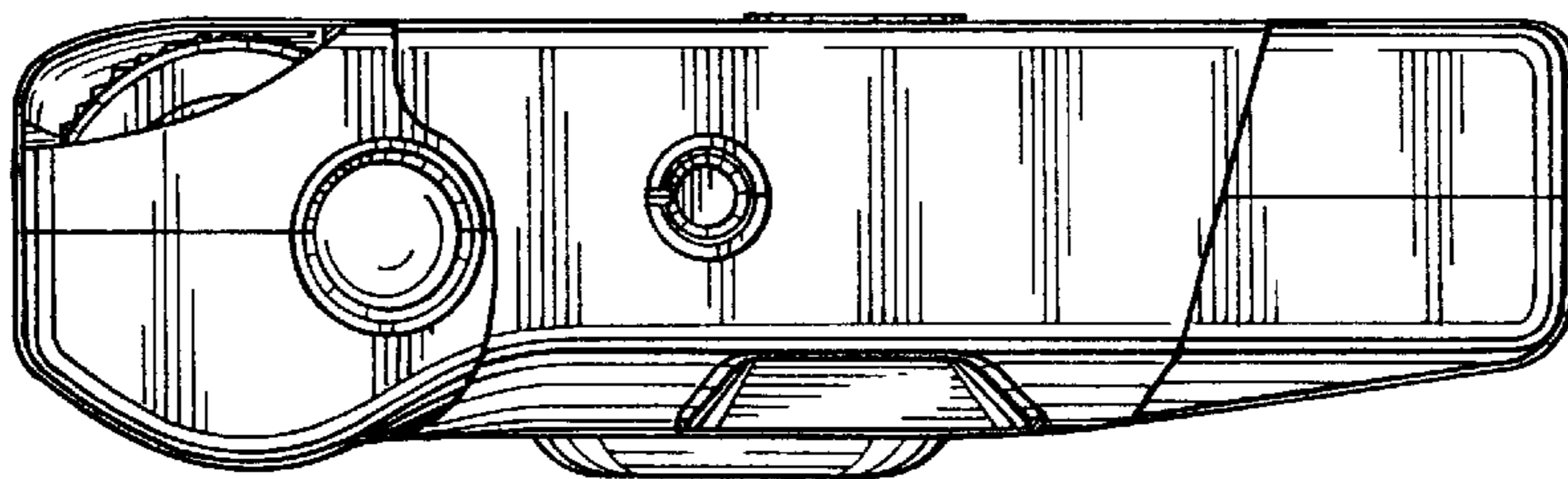


Fig. 3

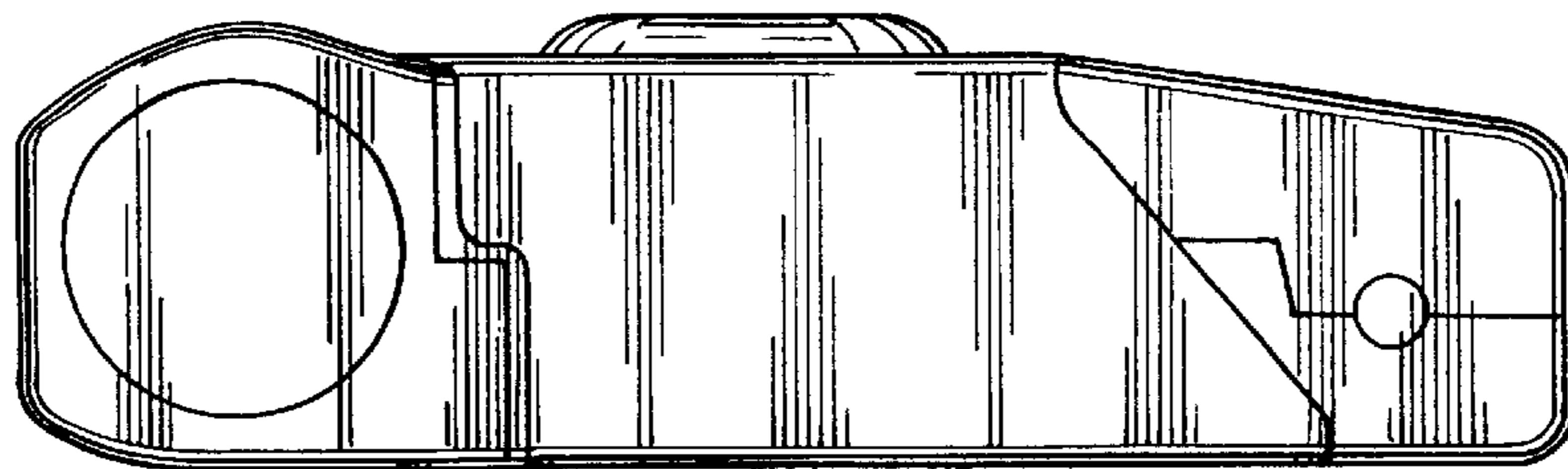


Fig. 4

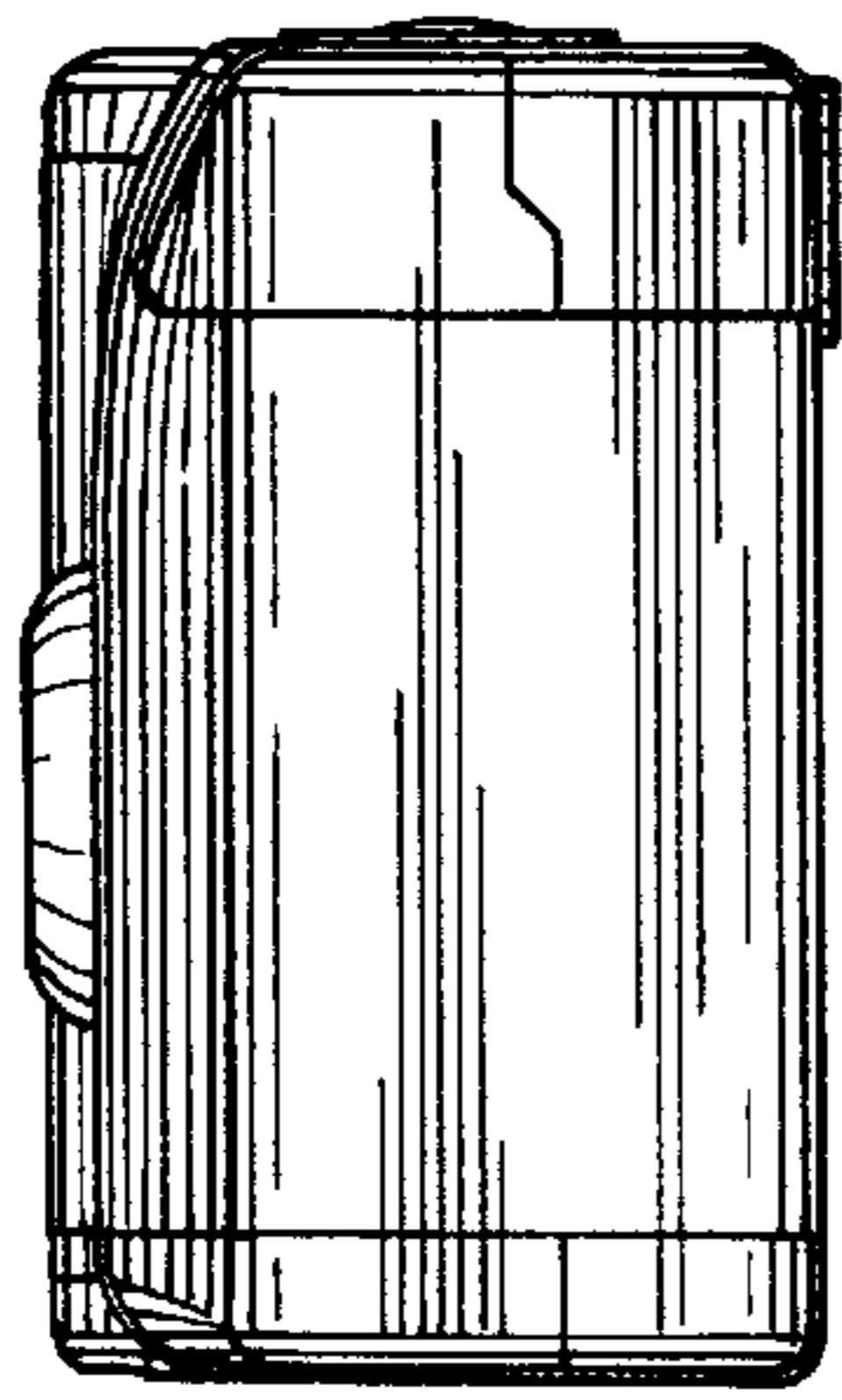


Fig. 5

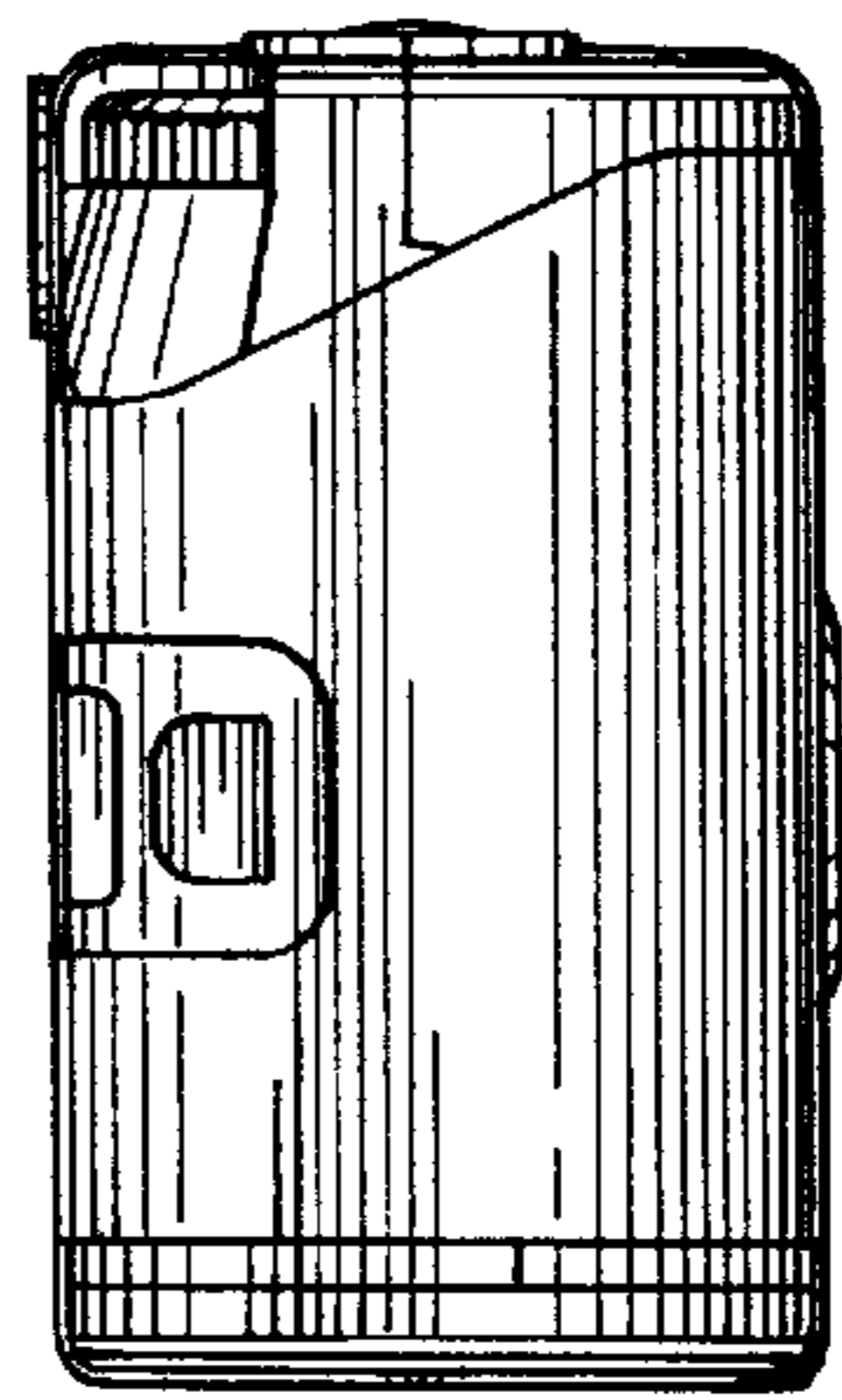


Fig. 6

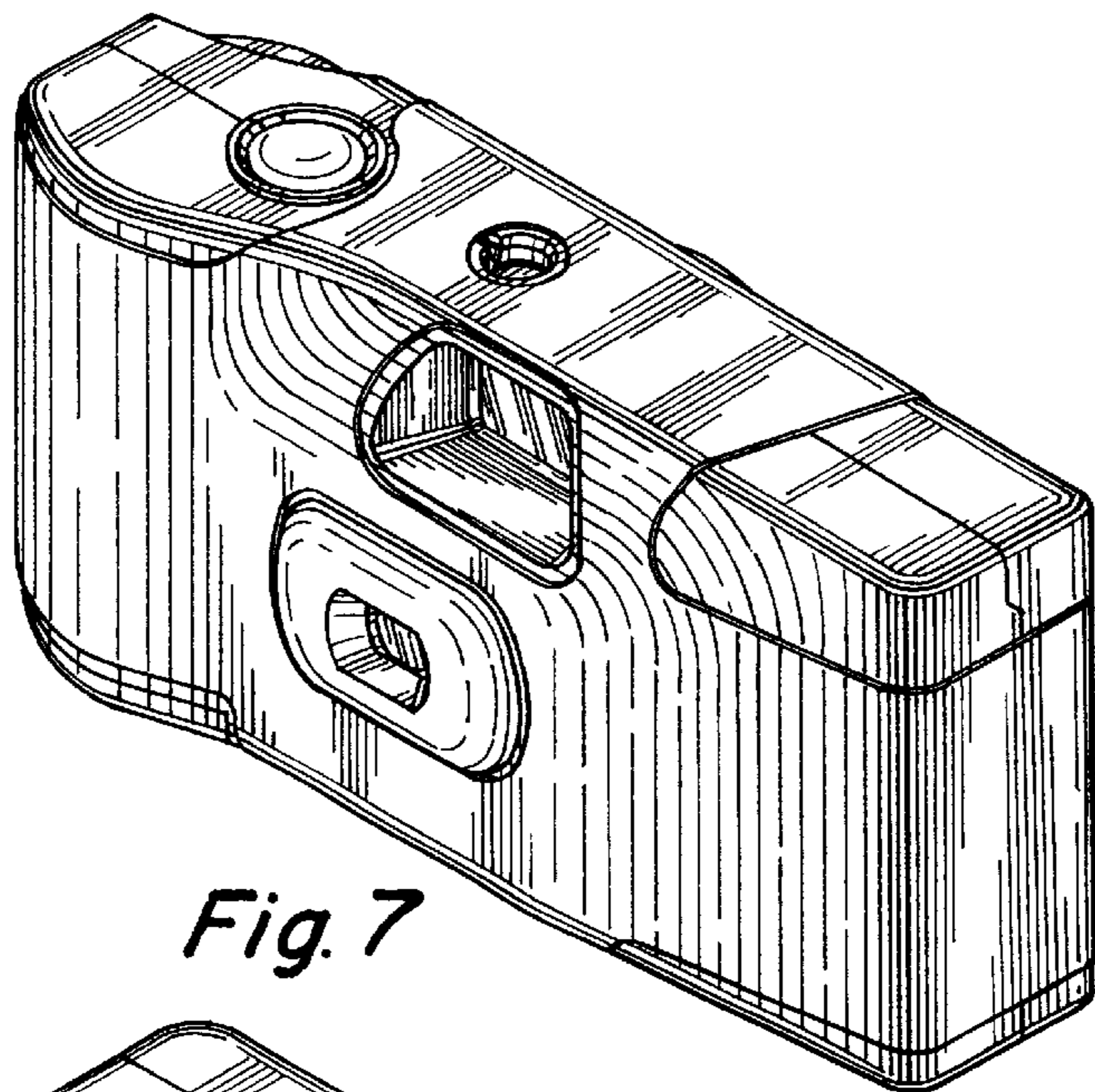


Fig. 7

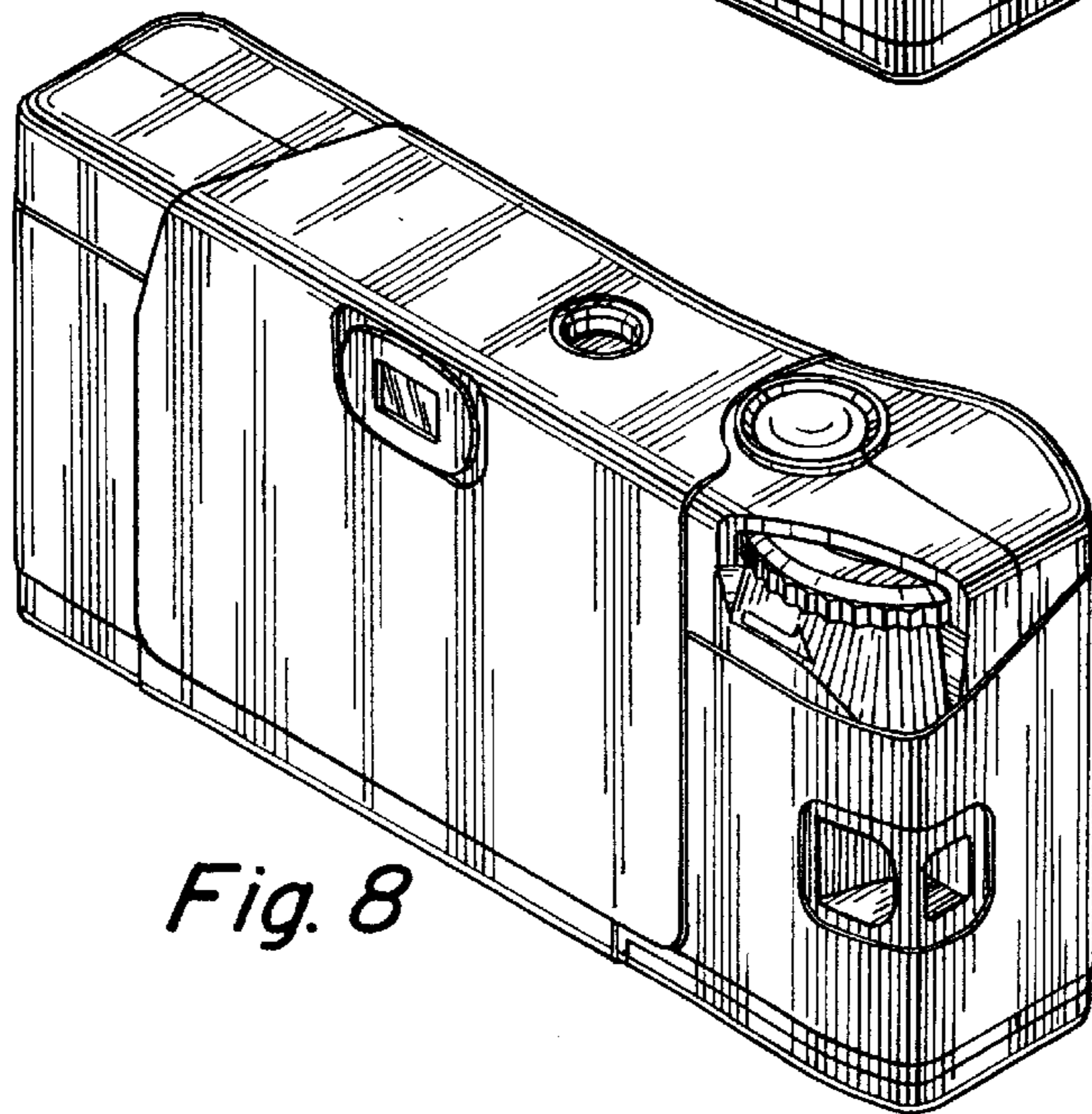


Fig. 8