



US00D480406S

(12) **United States Design Patent**
Tudico

(10) **Patent No.:** **US D480,406 S**

(45) **Date of Patent:** **** Oct. 7, 2003**

(54) **PHOTOGRAPHIC KIOSK**

(75) **Inventor:** **Gianfranco Tudico**, Bourg les Valence (FR)

(73) **Assignee:** **LPG Systems (FR)**

(**) **Term:** **14 Years**

(21) **Appl. No.:** **29/127,509**

(22) **Filed:** **Aug. 8, 2000**

(30) **Foreign Application Priority Data**

Feb. 11, 2000 (WO) DM/050 753

(51) **LOC (7) Cl.** **16-01**

(52) **U.S. Cl.** **D16/215**

(58) **Field of Search** D16/215; D20/10; D25/16; 396/2, 3, 5

(56) **References Cited**

U.S. PATENT DOCUMENTS

D115,631 S * 7/1939 Rice D16/215
D250,265 S * 11/1978 Fossella et al. D16/215

D251,884 S * 5/1979 Ertl D25/16
4,616,912 A * 10/1986 Johnsen 396/5
5,717,958 A * 2/1998 Oka et al. 396/2
D397,130 S 8/1998 Tudico D16/215
5,828,908 A * 10/1998 Mauchan 396/2

* cited by examiner

Primary Examiner—Adir Aronovich

(74) *Attorney, Agent, or Firm*—Parkhurst & Wendel, L.L.P.

(57) **CLAIM**

The ornamental design for a photographic kiosk, as shown and described.

DESCRIPTION

FIG. 1 is a right front perspective view of the kiosk showing my design;
FIG. 2 is a left side view thereof; and
FIG. 3 is a right side view thereof;
FIG. 4 is a top view thereof;
FIG. 5 is a front view thereof; and,
FIG. 6 is a rear view thereof.

1 Claim, 6 Drawing Sheets

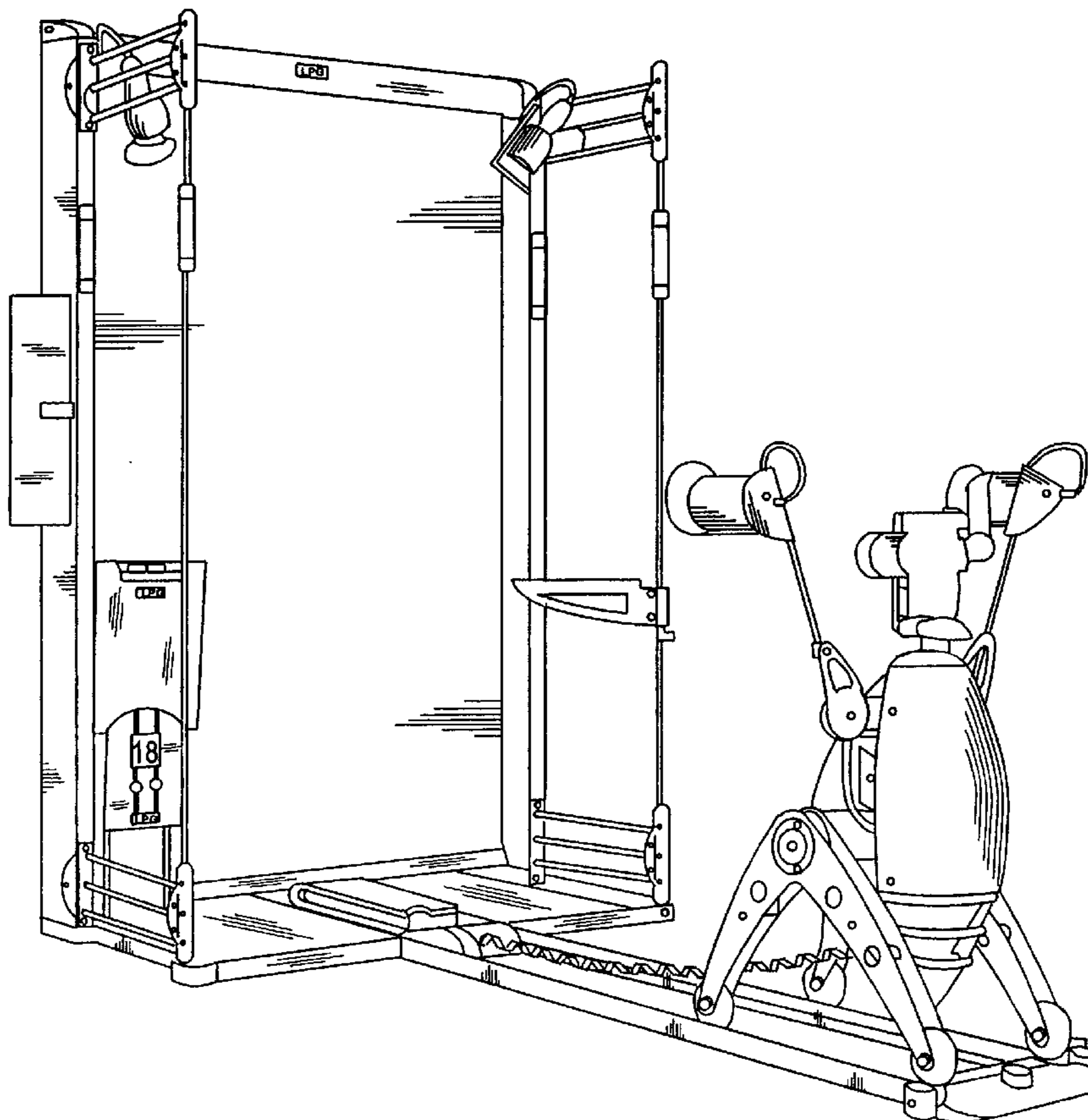


FIG. 1

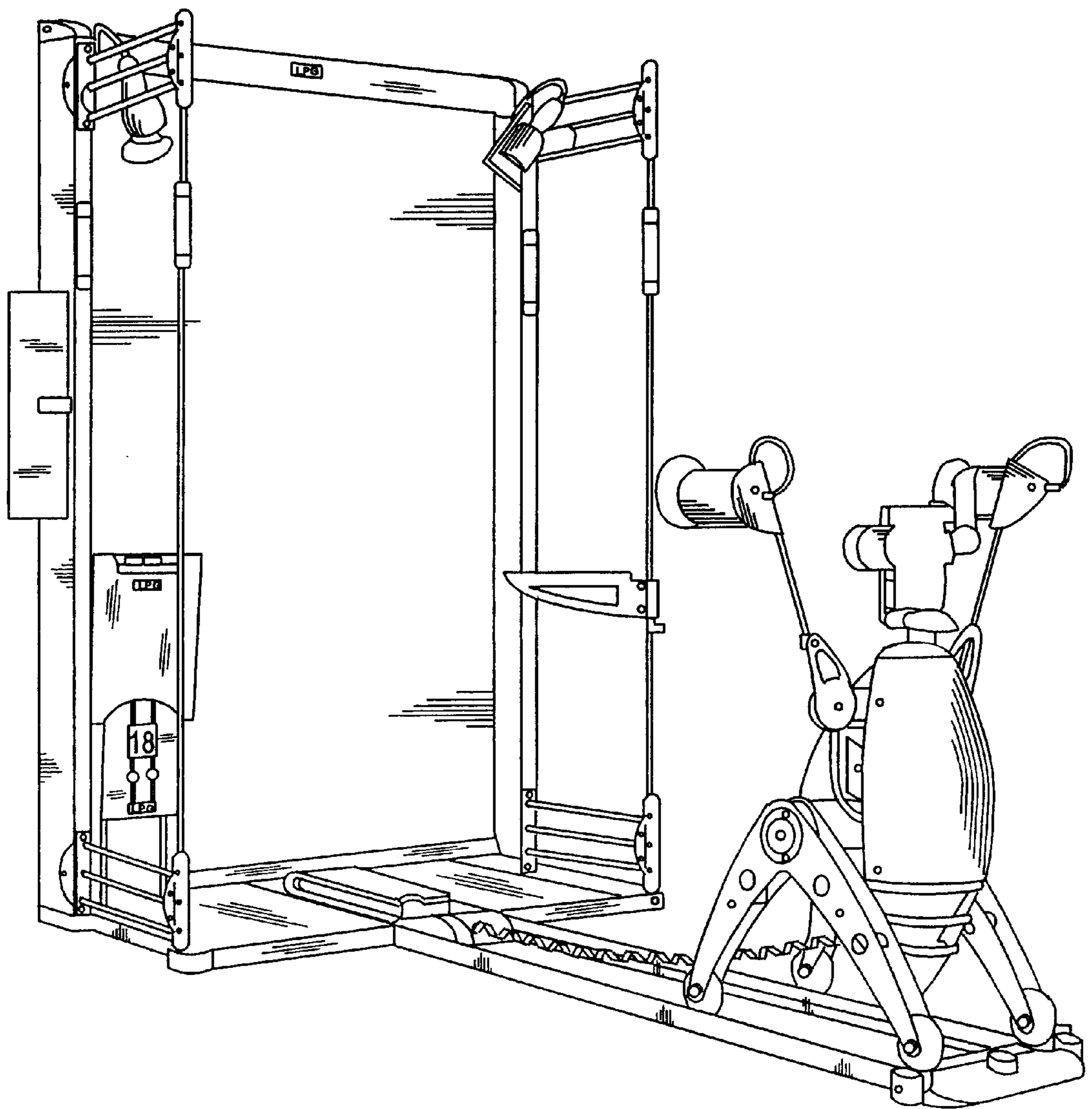


FIG. 2

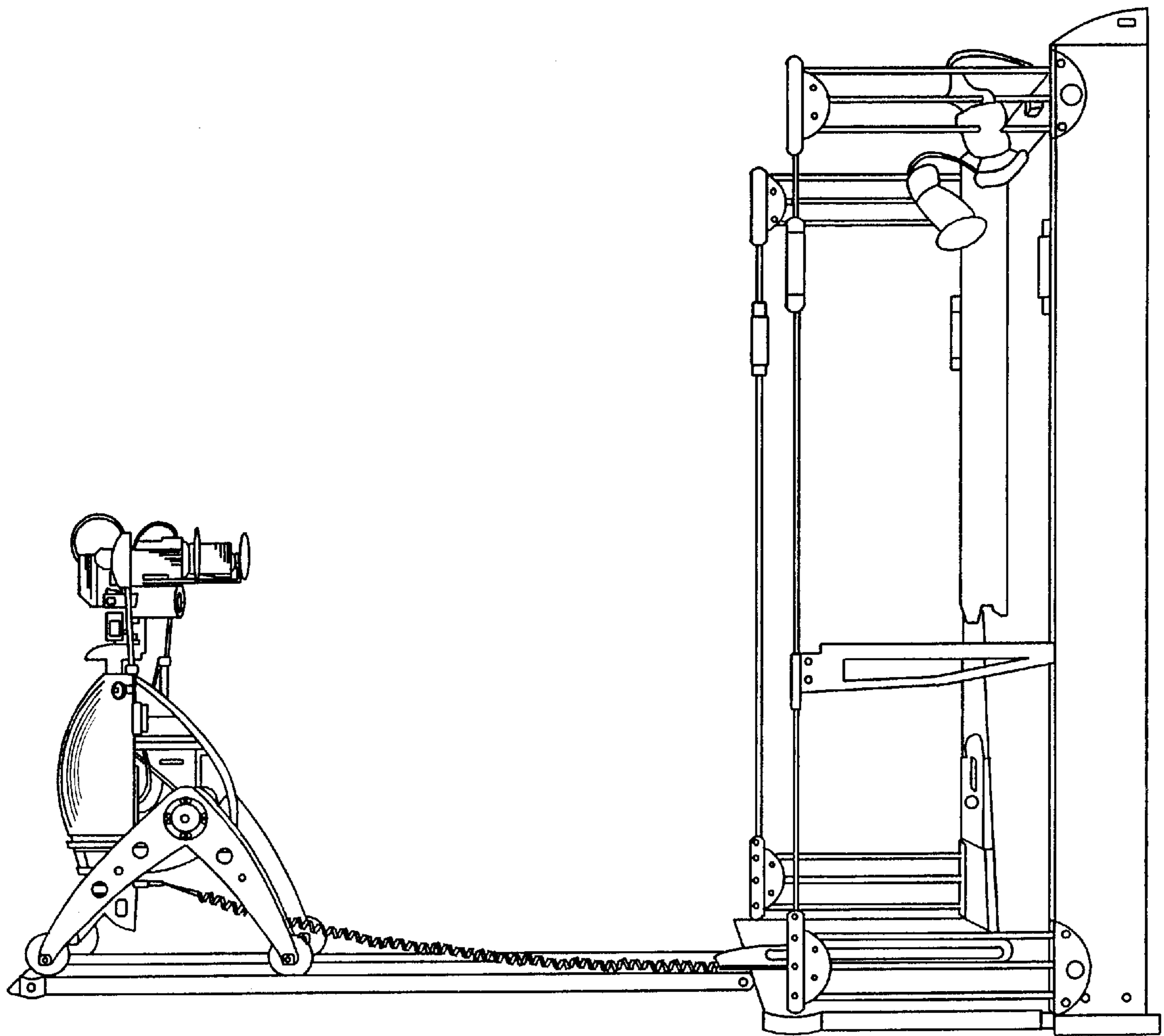


FIG. 3

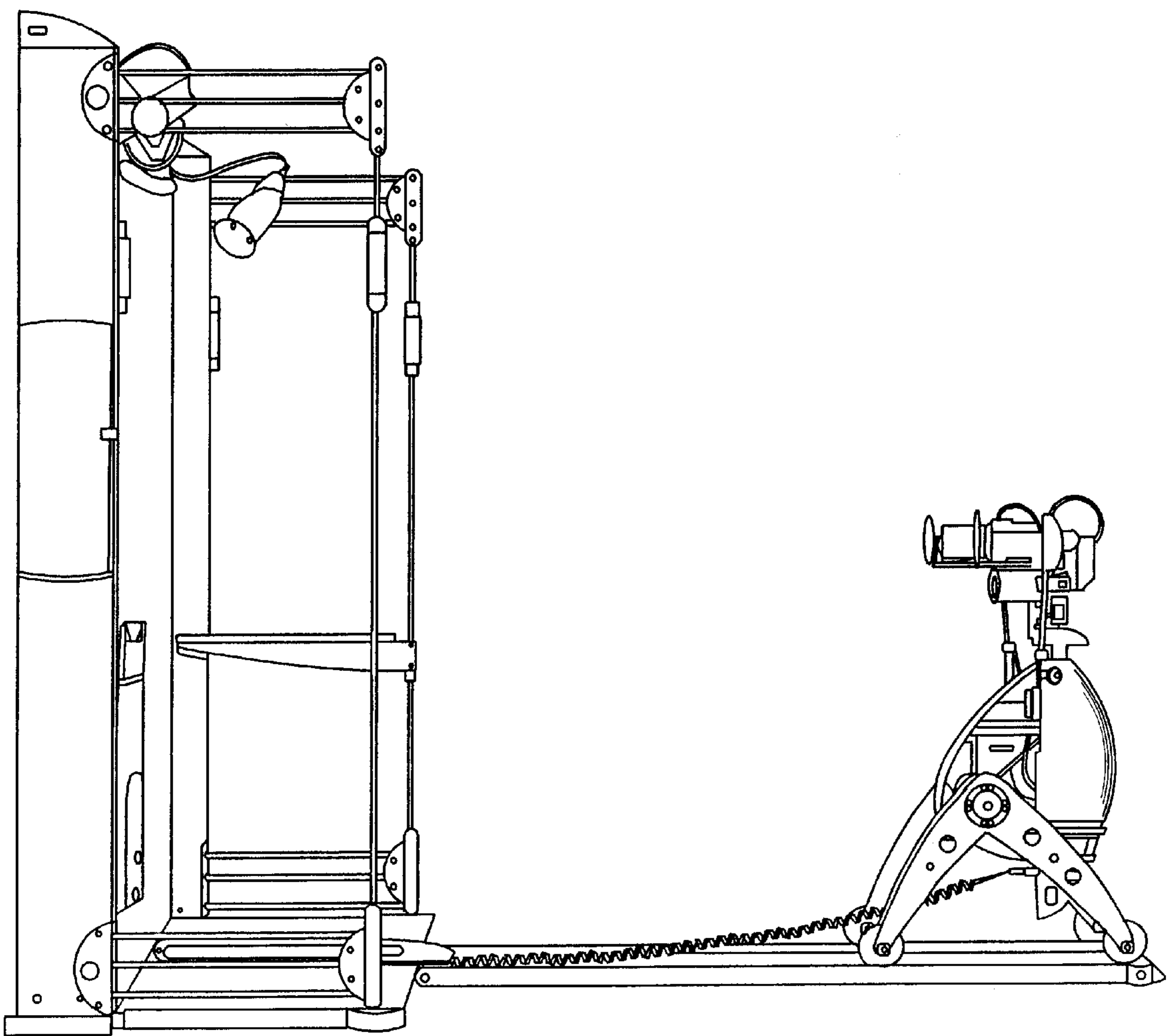


FIG. 4

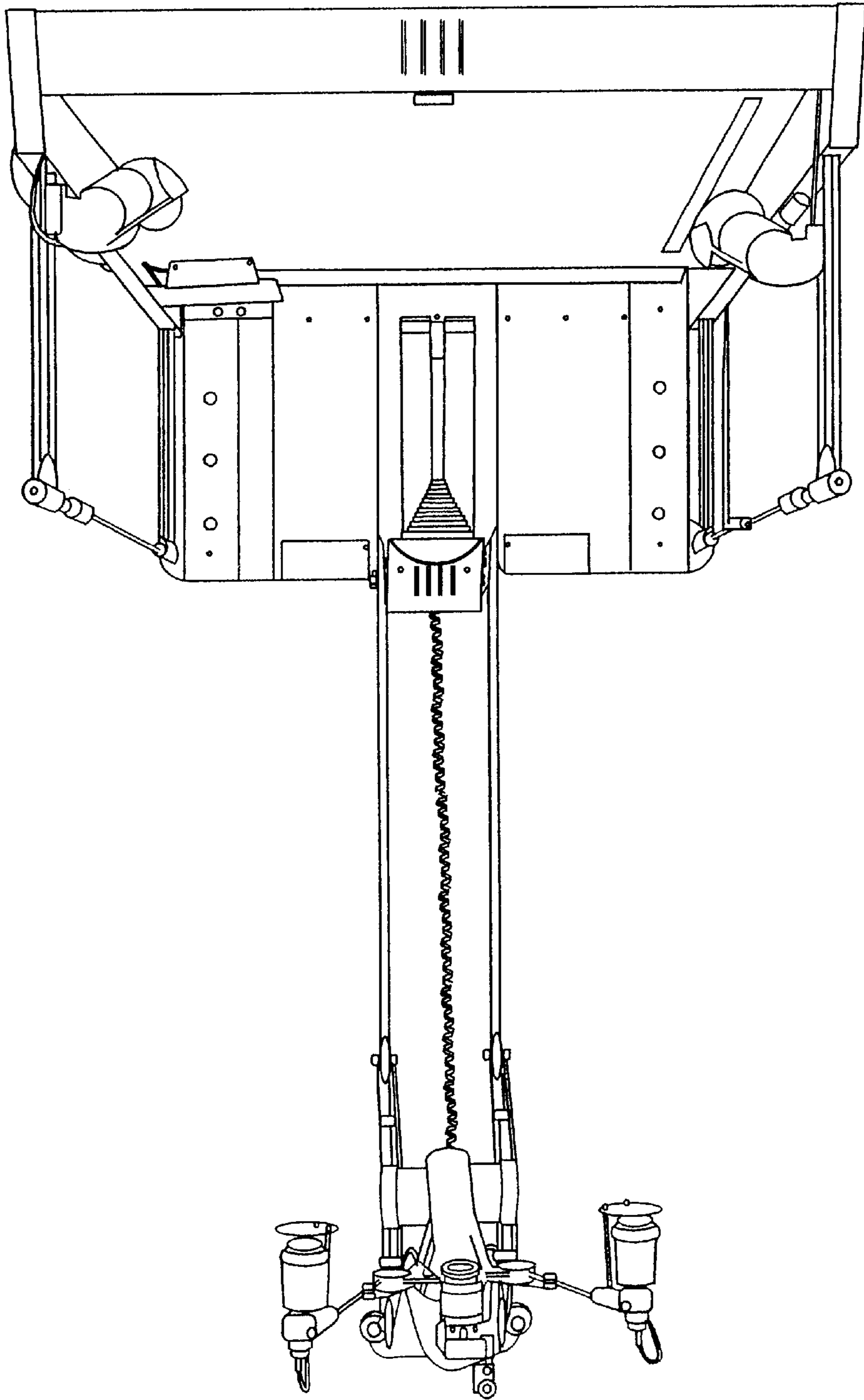


FIG. 5

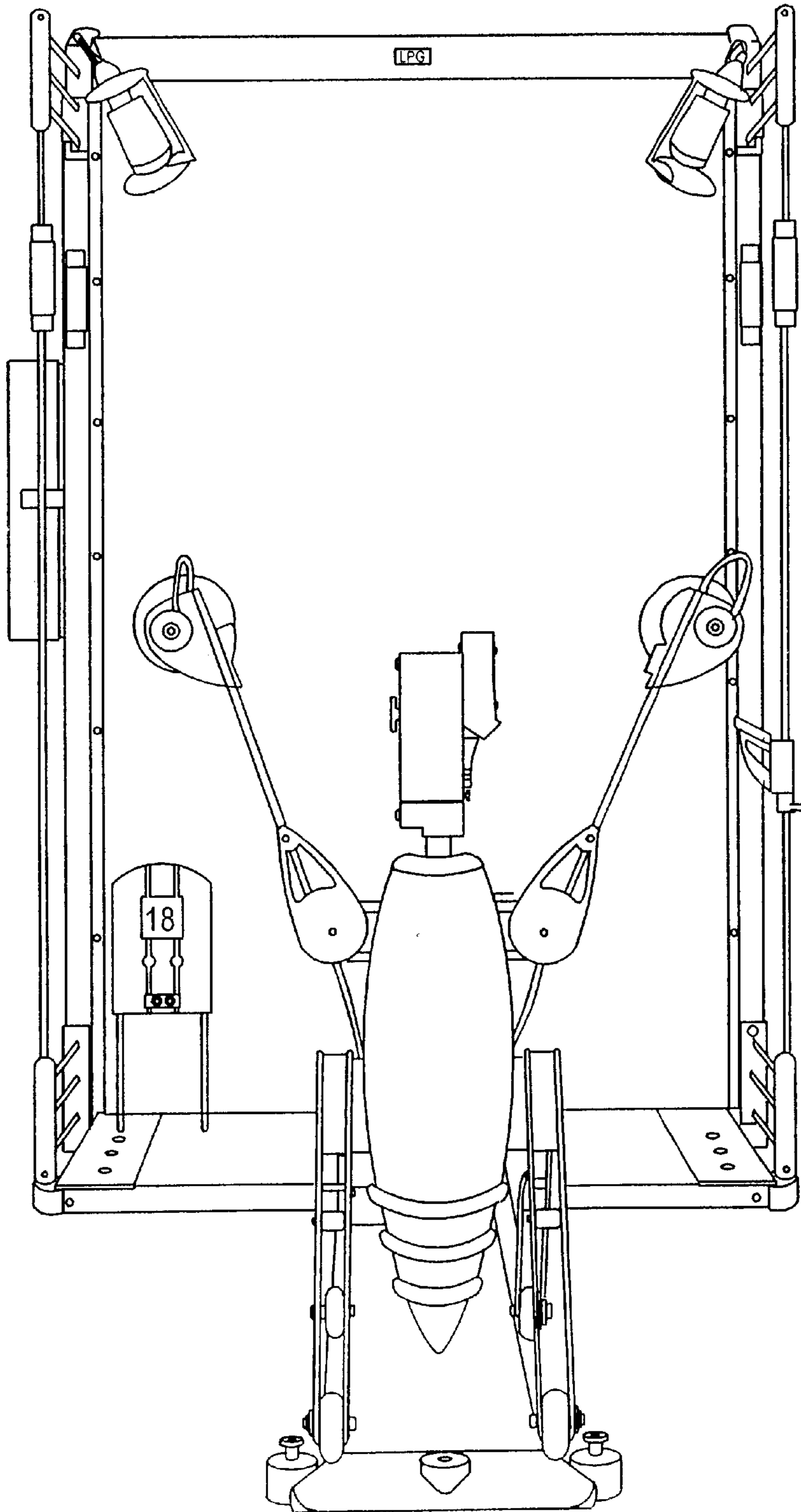


FIG. 6

