



US00D480405S

(12) **United States Design Patent** (10) **Patent No.:** **US D480,405 S**  
**Kleffmann et al.** (45) **Date of Patent:** **\*\* Oct. 7, 2003**

(54) **WORKING CYLINDER**

(75) Inventors: **Jan Kleffmann**, Esslingen (DE);  
**Steffen Sailer**, Metzingen (DE)

(73) Assignee: **Festo AG & Co.** (DE)

(\*\*) Term: **14 Years**

(21) Appl. No.: **29/164,728**

(22) Filed: **Jul. 30, 2002**

(30) **Foreign Application Priority Data**

Feb. 2, 2002 (DE) ..... 402 01 017

(51) **LOC (7) Cl.** ..... **15-09**

(52) **U.S. Cl.** ..... **D15/143; D15/148**

(58) **Field of Search** ..... **D15/5, 143, 148,**  
**D15/149, 199; 92/5 R; 74/89.15, 490.09;**  
**310/20, 80**

(56) **References Cited**

**U.S. PATENT DOCUMENTS**

5,103,172 A 4/1992 Stoll  
6,427,576 B1 \* 8/2002 Bock et al. .... 92/5 R

**OTHER PUBLICATIONS**

FESTO Product Catalog pp. Bd.1/1.1-54, 55, 118 and 119 (2001).

FESTO Product Catalog pp. 80, 81, 84 and 90 (1990).

\* cited by examiner

*Primary Examiner*—Antoine Duval Davis

(57) **CLAIM**

The ornamental design for a working cylinder, as shown and described.

**DESCRIPTION**

FIG. 1 is a front perspective view of a working cylinder showing our new design;

FIG. 2 is a rear perspective view thereof;

FIG. 3 is a top plan view thereof;

FIG. 4 is a bottom plan view thereof;

FIG. 5 is a left side elevational view thereof;

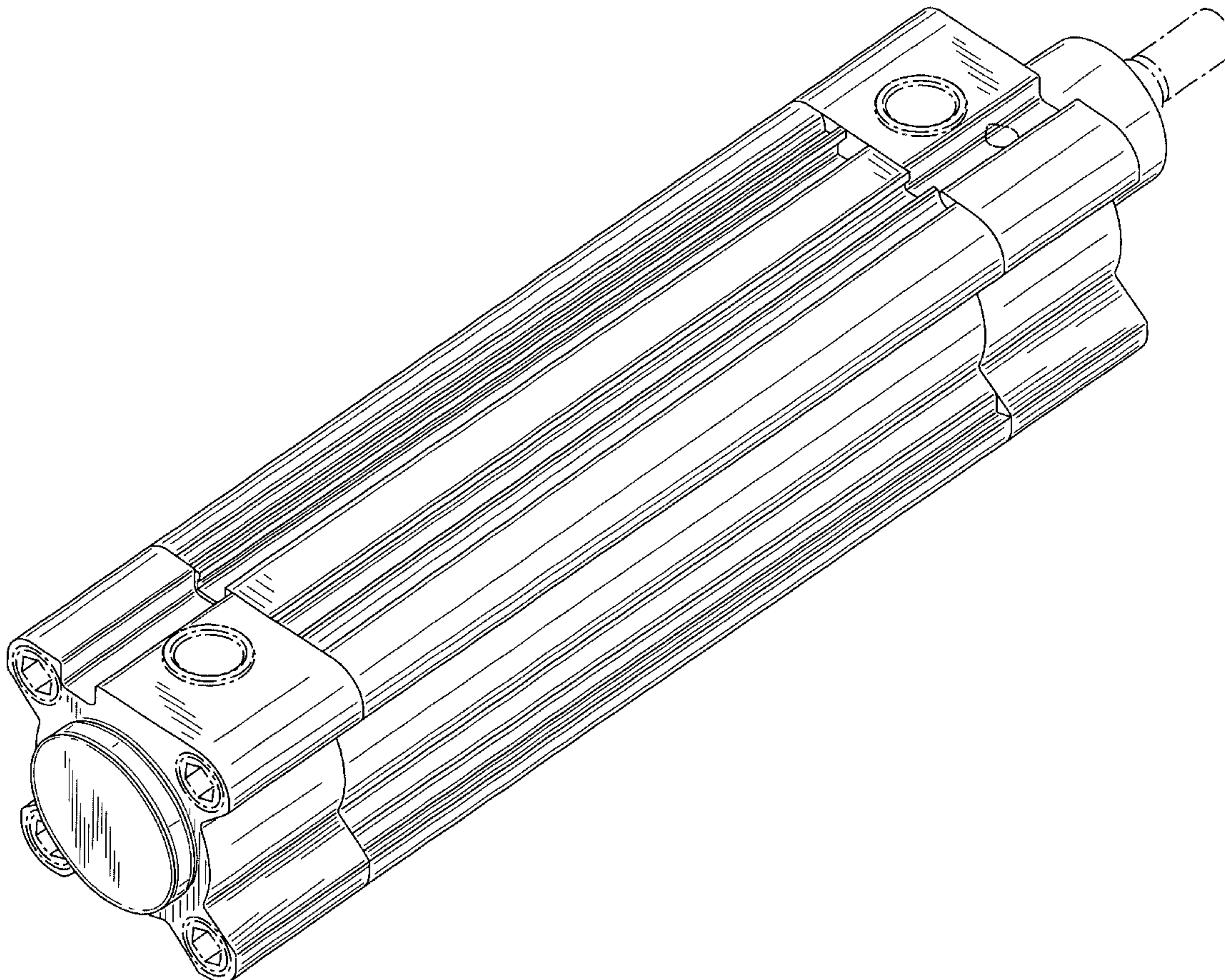
FIG. 6 is a right side elevational view thereof;

FIG. 7 is a front elevational view thereof; and,

FIG. 8 is a rear elevational view thereof.

The broken lines shown in FIGS. 1-8 are for illustrative purposes only and form no part of the claimed design.

**1 Claim, 7 Drawing Sheets**





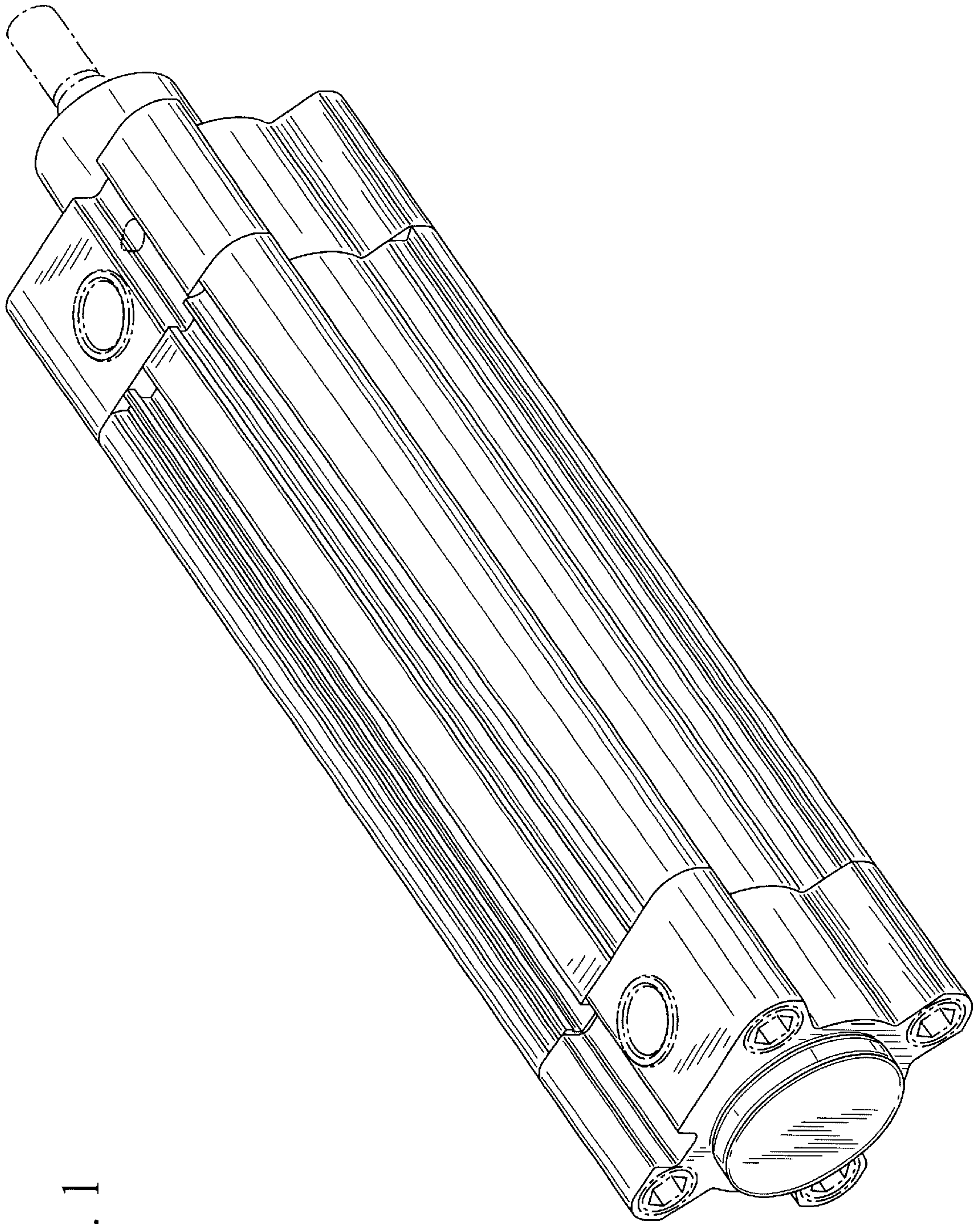


FIG. 1



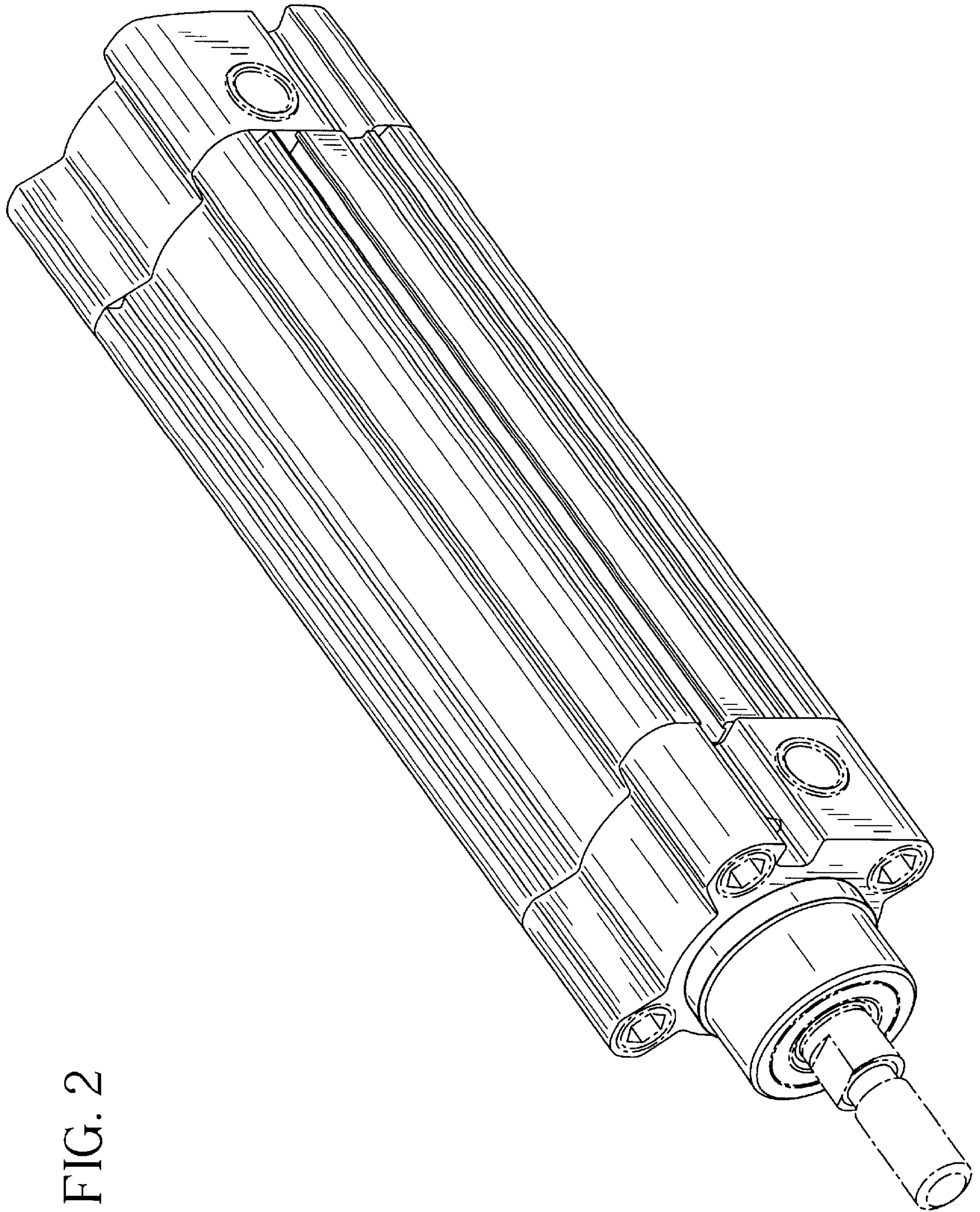


FIG. 2

FIG. 3

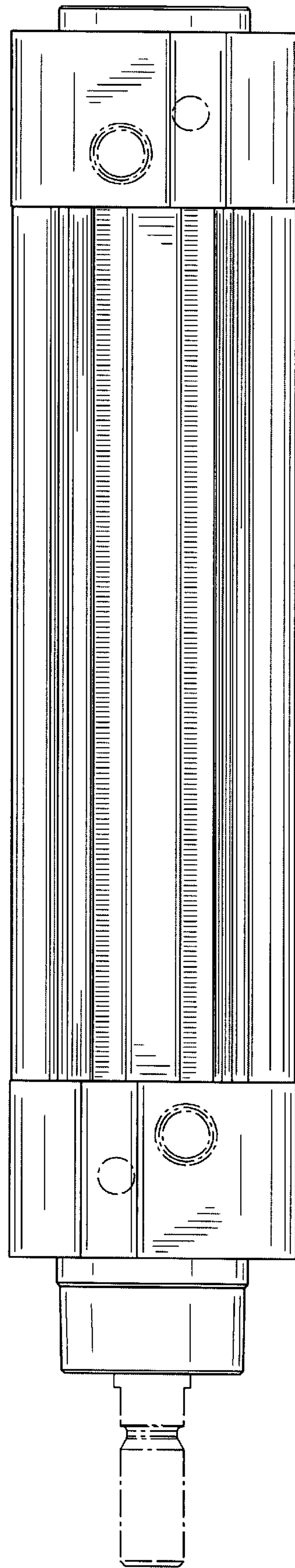


FIG. 4

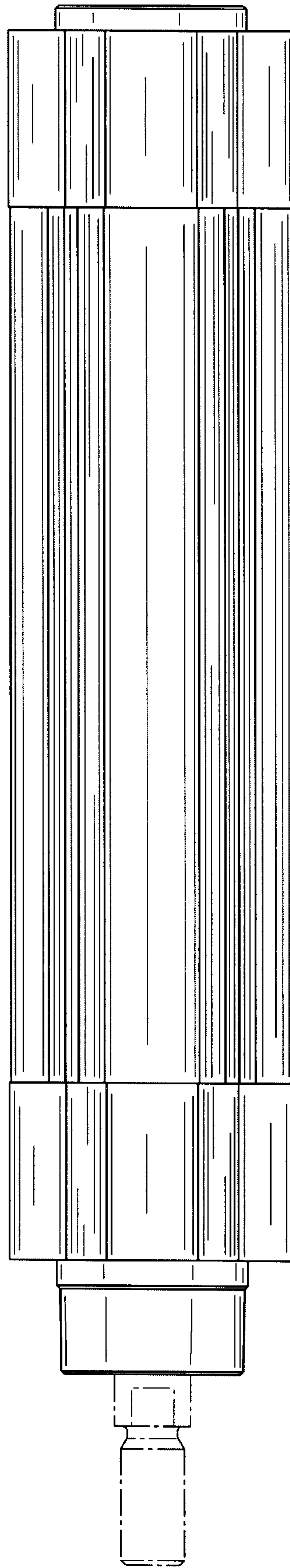
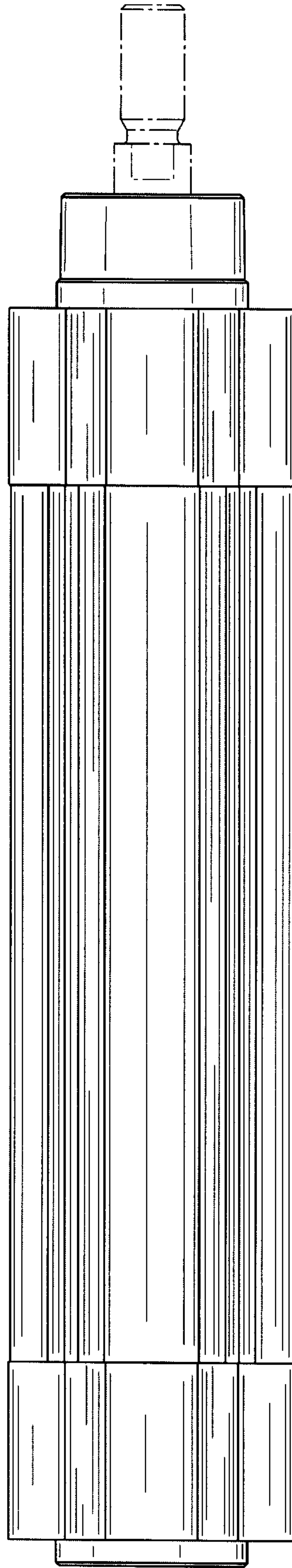


FIG. 5



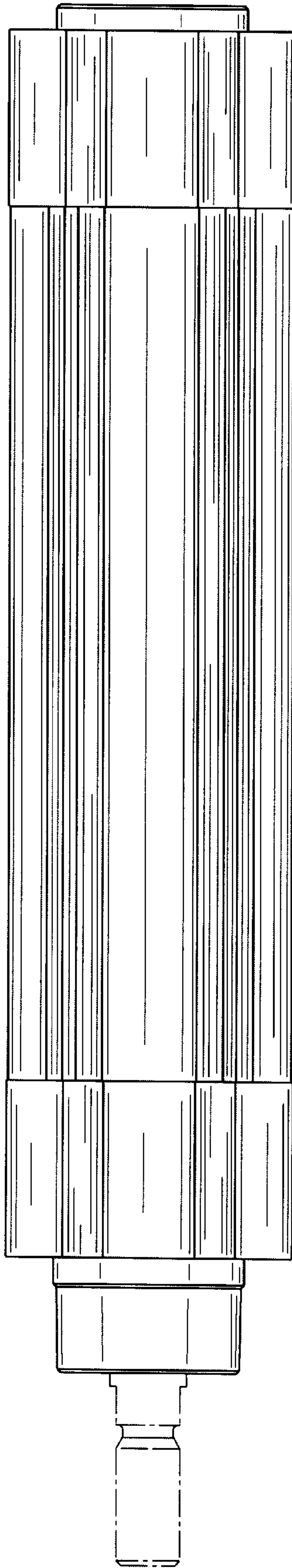


FIG. 6



FIG. 8

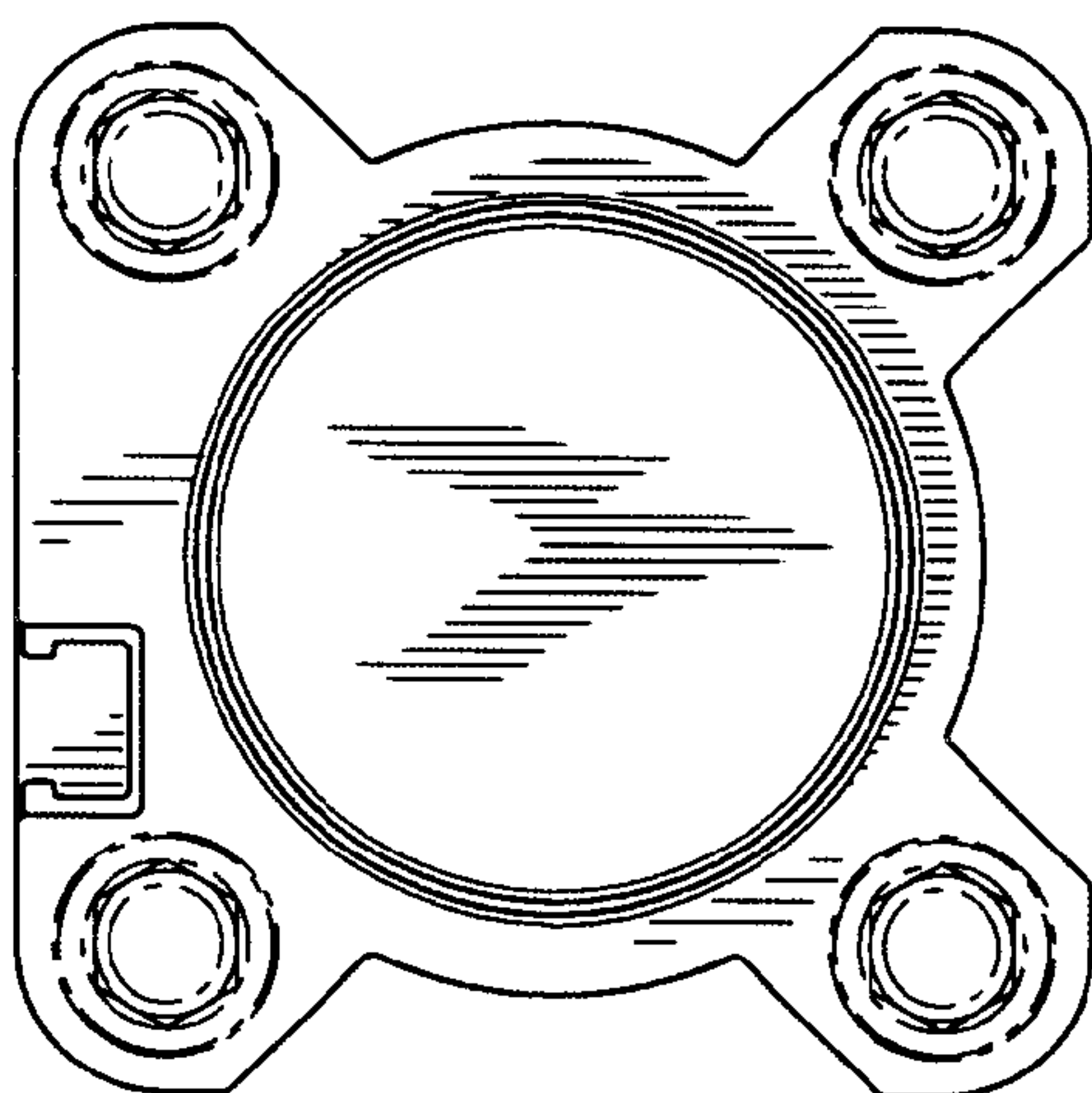


FIG. 7

