



US00D480404S

(12) **United States Design Patent**
Hudson et al.

(10) **Patent No.: US D480,404 S**

(45) **Date of Patent: ** Oct. 7, 2003**

(54) **CASTING MOLD AND HANDLING FRAME FOR AN ASSAY MATRIX**

(74) *Attorney, Agent, or Firm*—Knobbe, Martens, Olson & Bear, LLP

(75) **Inventors:** **Gordon W. Hudson**, Vista, CA (US);
Robert K. Neeper, Lakeside, CA (US);
Rhett L. Affleck, Poway, CA (US);
John E. Lillig, Poway, CA (US)

(57) **CLAIM**

The ornamental design for a casting mold and handling frame for an assay matrix, as shown.

(73) **Assignee:** **Discovery Partners International**, San Diego, CA (US)

DESCRIPTION

(**) **Term:** **14 Years**

FIG. 1 is a perspective exploded view of the mold for the assay matrix, including a handling frame and front and back flexible plastic films.

(21) **Appl. No.:** **29/165,715**

FIG. 2 is a front elevational view of the mold.

(22) **Filed:** **Aug. 13, 2002**

FIG. 3 is a top elevational view of the mold.

(51) **LOC (7) Cl.** **15-09**

FIG. 4 is a bottom elevational view of the mold.

(52) **U.S. Cl.** **D15/136**

FIG. 5 is a left-side elevational view of the mold.

(58) **Field of Search** D15/135-137;
264/259, 299, 330

FIG. 6 is a right-side elevational view of the mold.

FIG. 7 is a back elevational view of the mold.

(56) **References Cited**

U.S. PATENT DOCUMENTS

6,355,198 B1 * 3/2002 Kim et al. 264/259

FIG. 8 is a perspective view of a frame for handling an assay matrix.

FIG. 9 is a front elevational view of the handling frame.

FIG. 10 is a top elevational view of the handling frame.

FIG. 11 is a bottom elevational view of the handling frame.

FIG. 12 is a left-side elevational view of the handling frame.

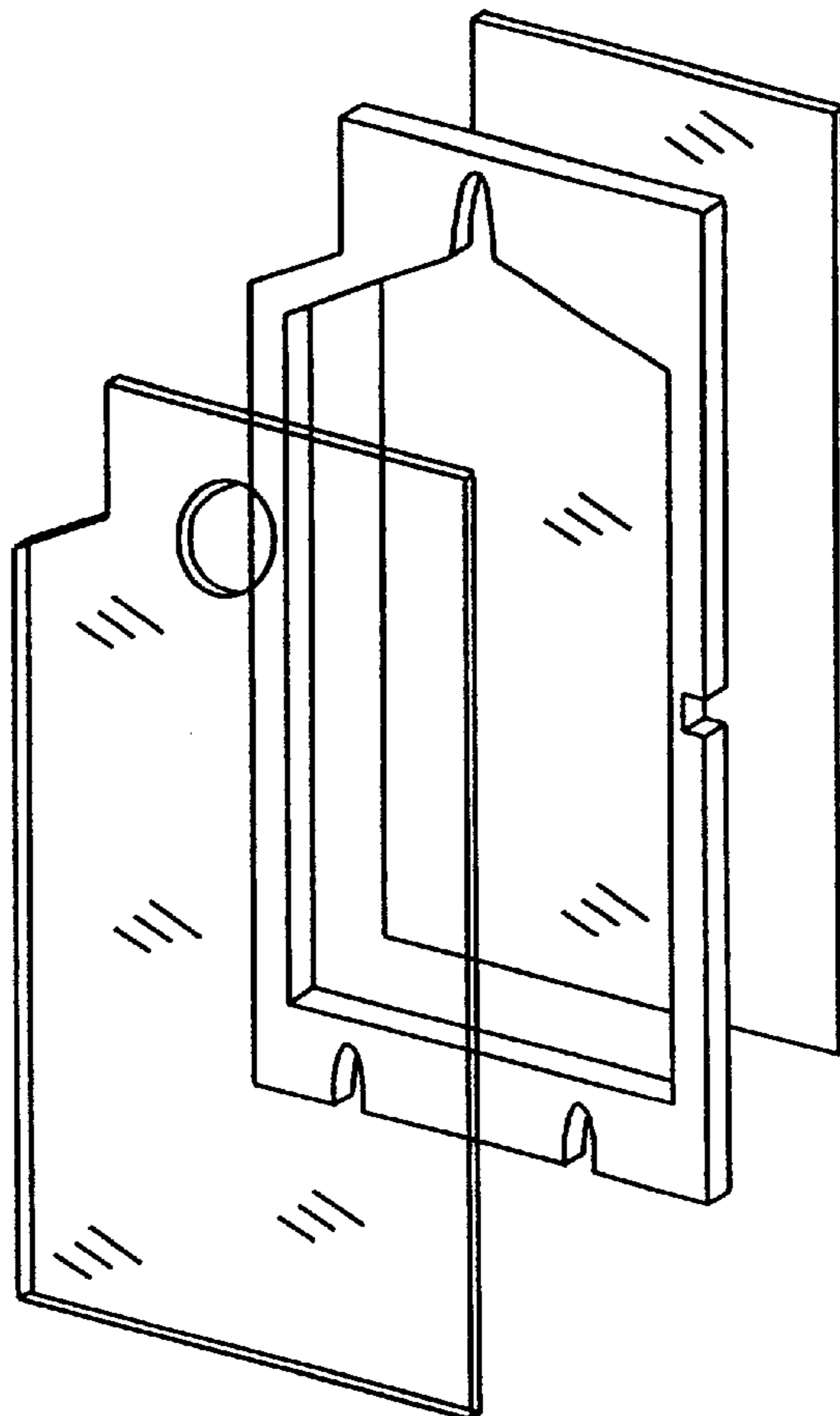
FIG. 13 is a right-side elevational view of the handling frame; and,

FIG. 14 is a back elevational view of the handling frame.

* cited by examiner

Primary Examiner—Antoine Duval Davis

1 Claim, 6 Drawing Sheets



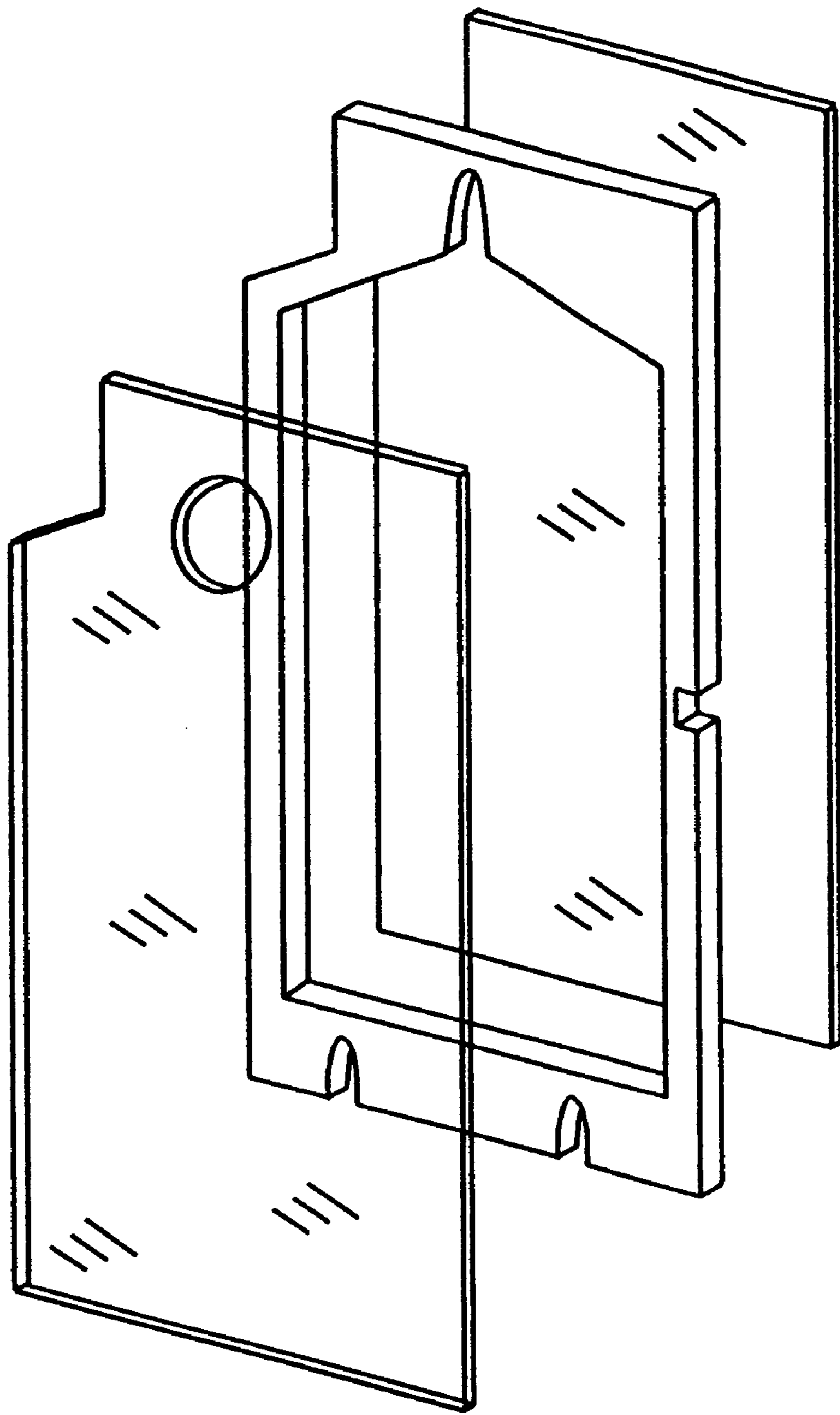


FIG. 1

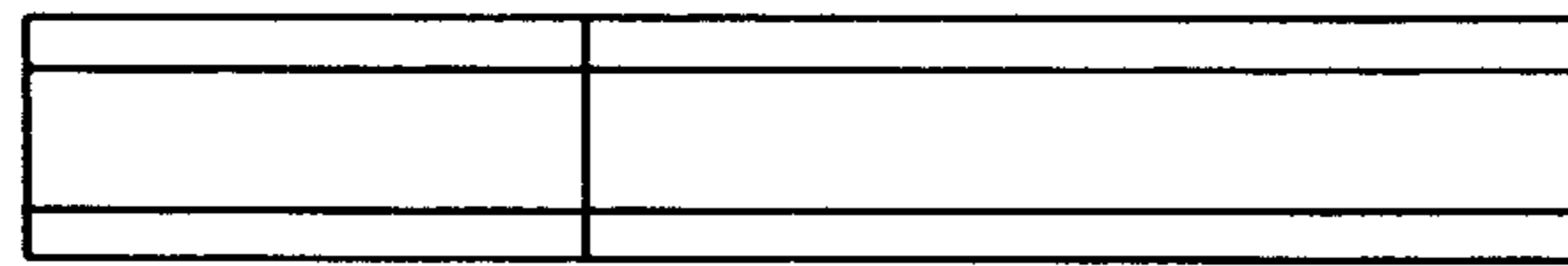


FIG. 3



FIG. 5

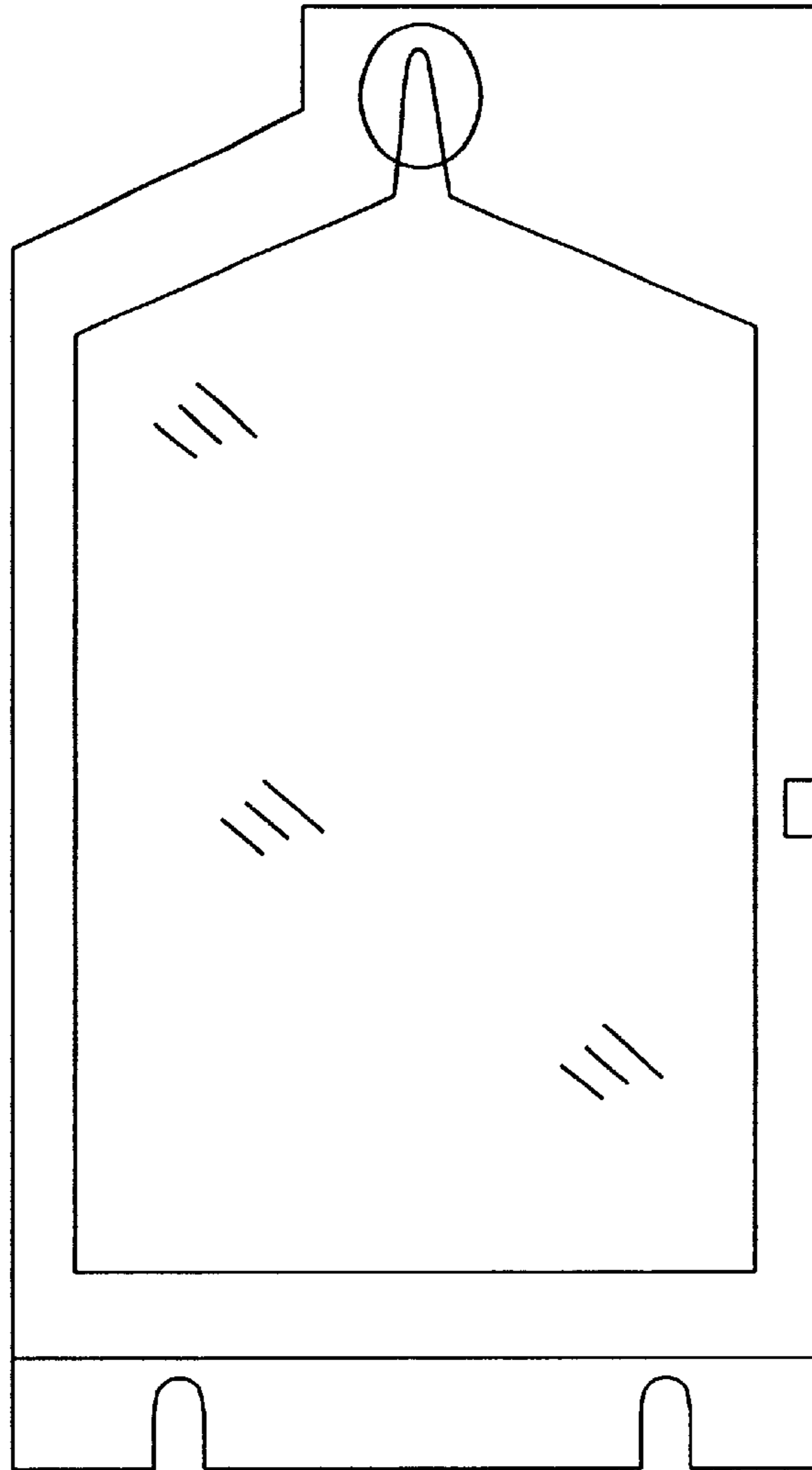


FIG. 2



FIG. 6

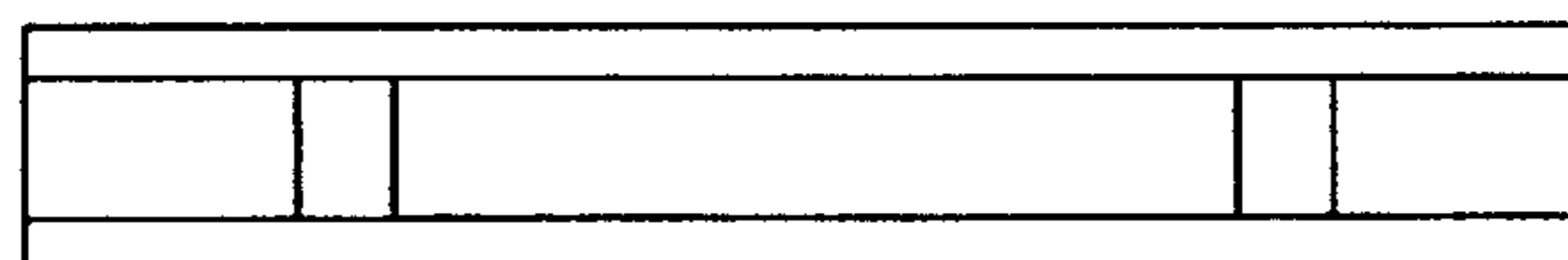


FIG. 4

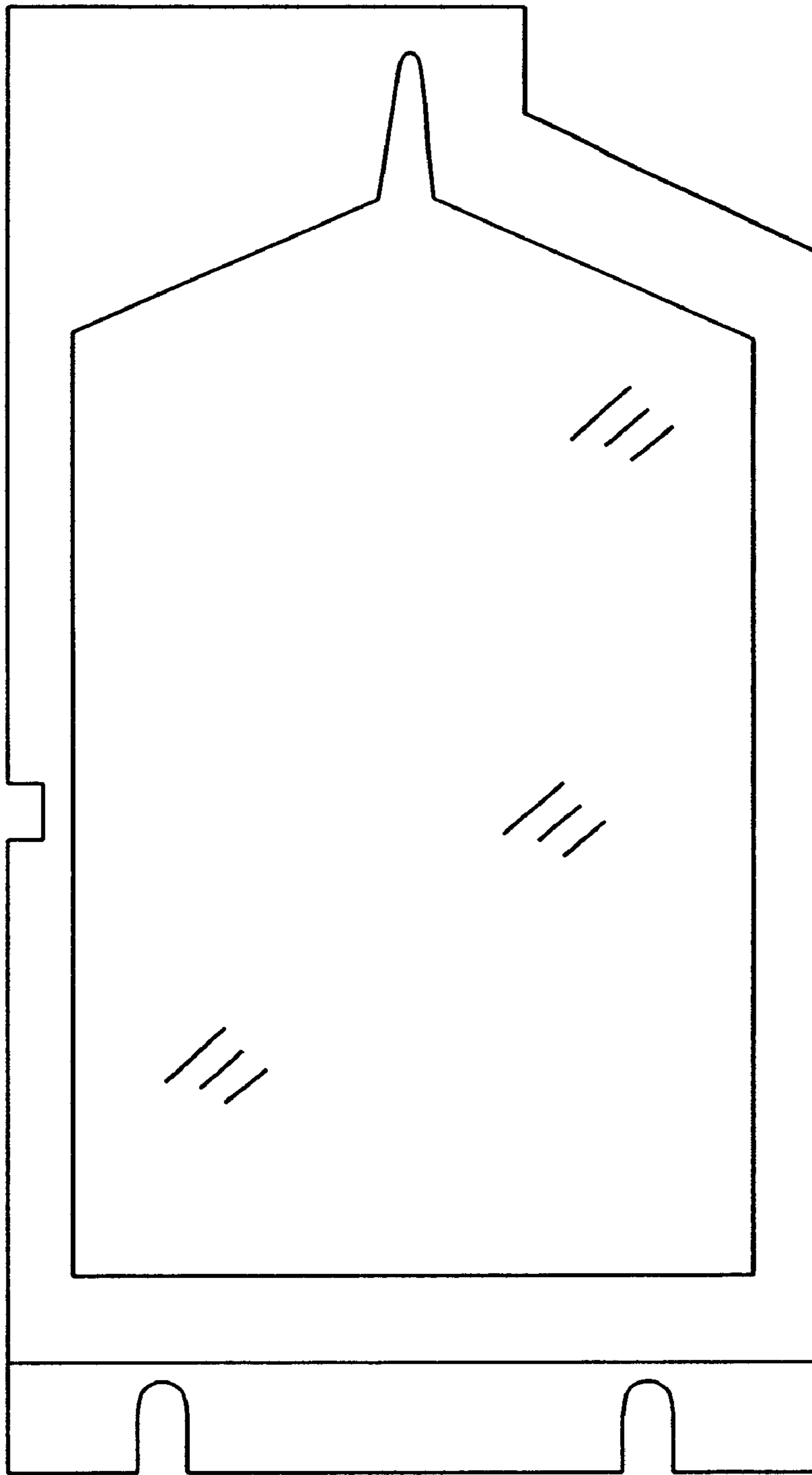


FIG. 7

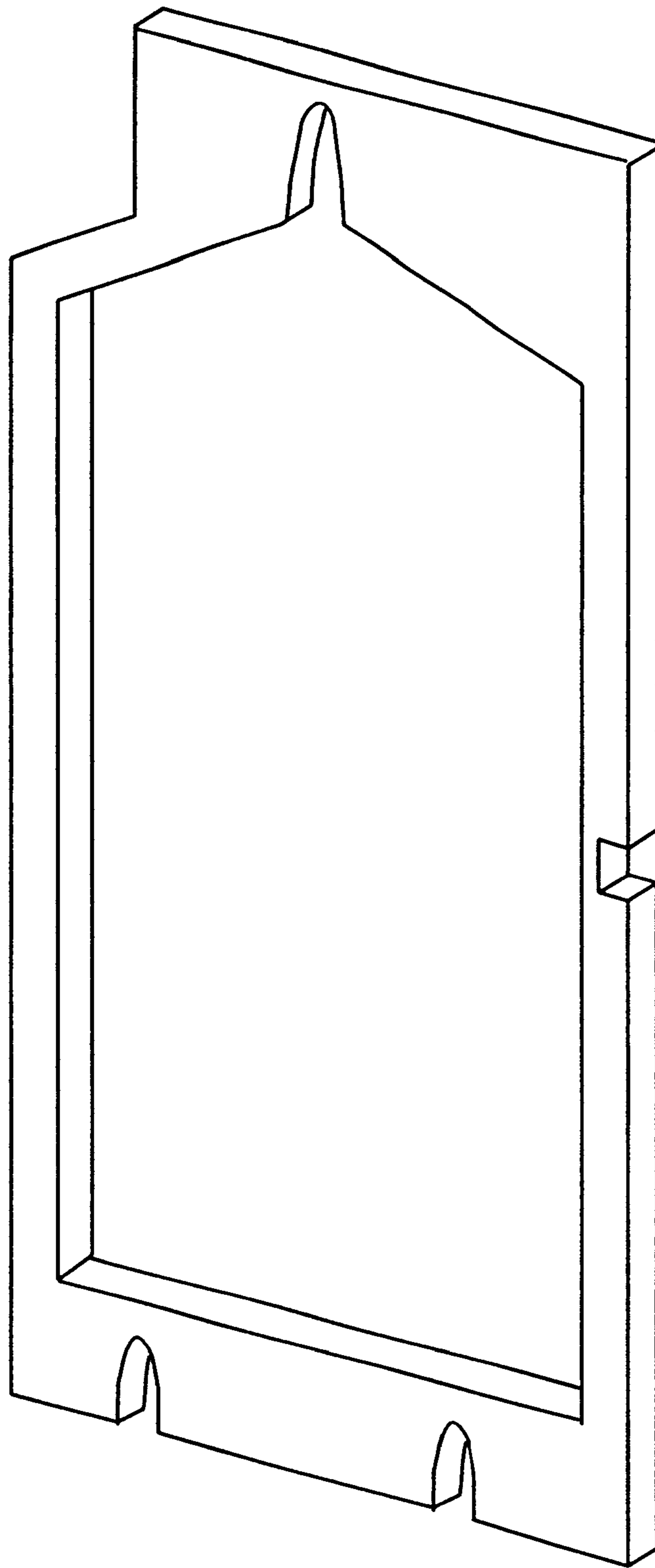


FIG. 8



FIG. 10

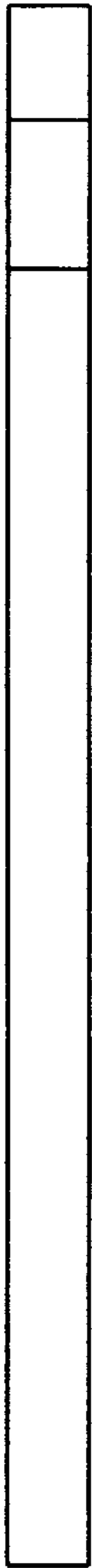


FIG. 12

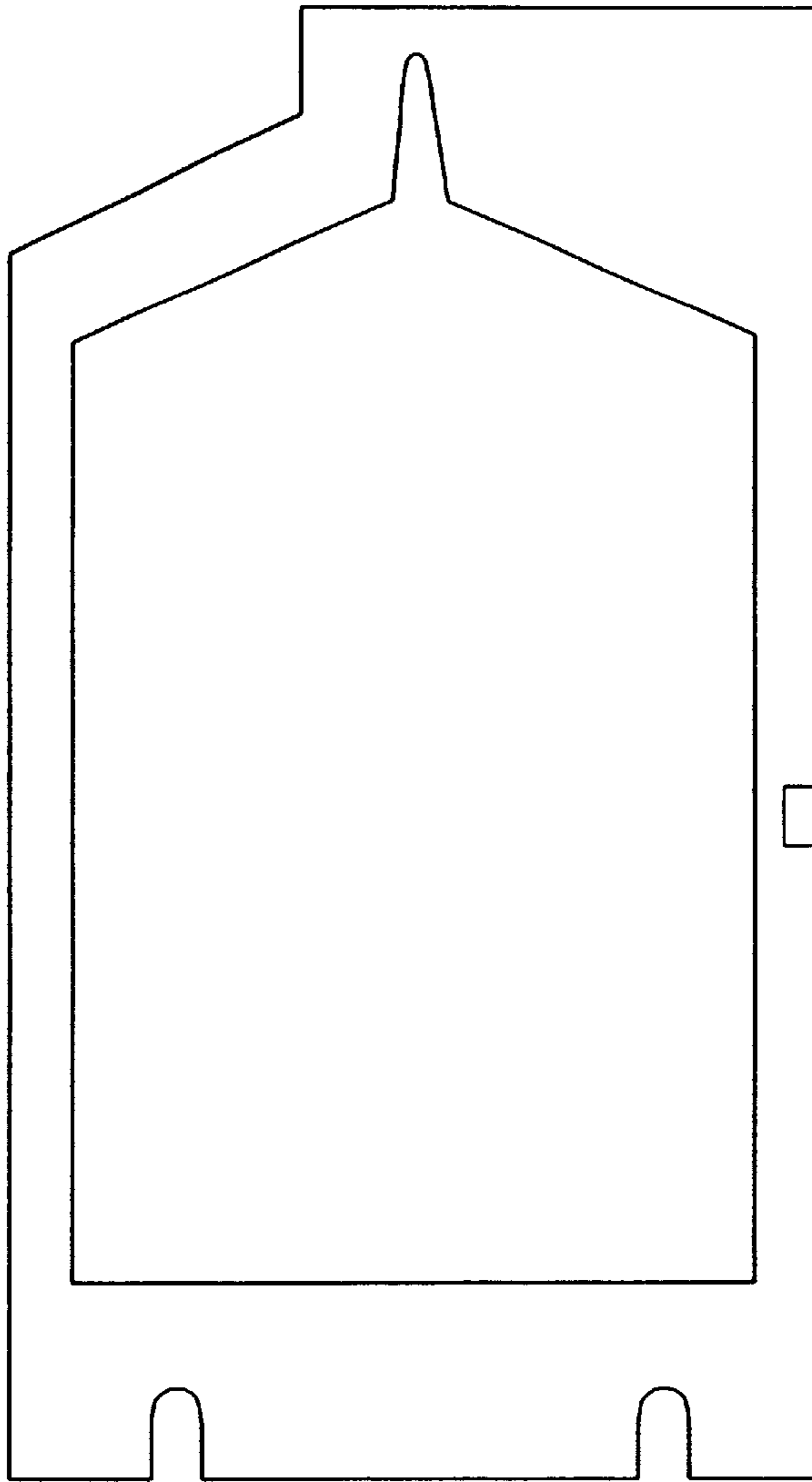


FIG. 9

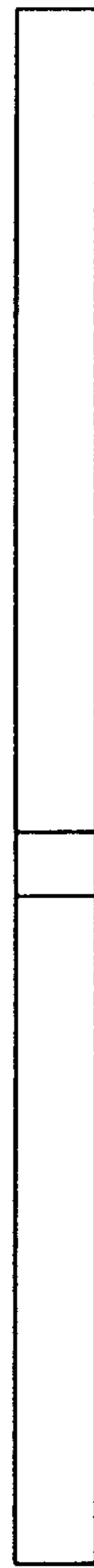


FIG. 13



FIG. 11

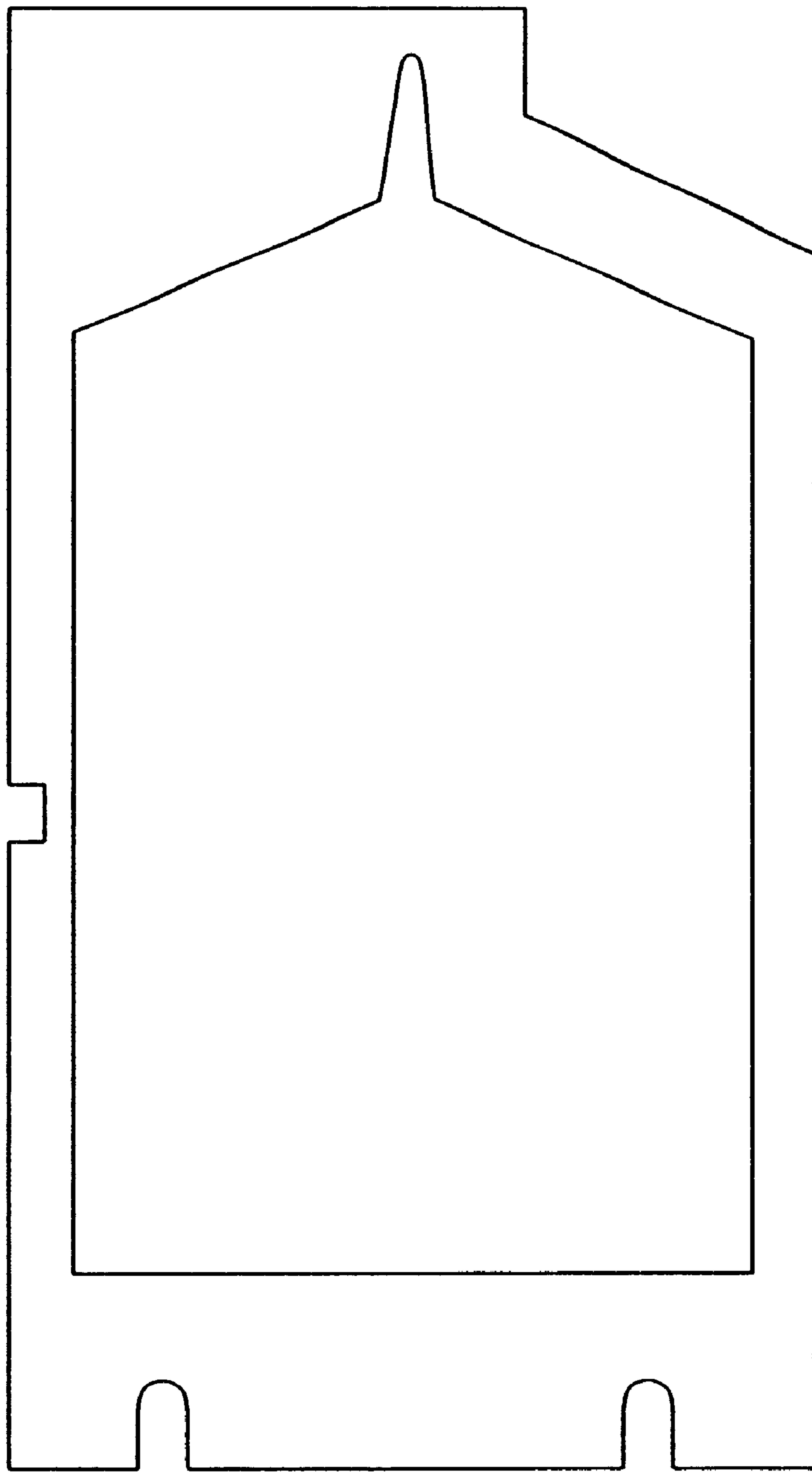


FIG. 14