



US00D480403S

(12) **United States Design Patent**
Hargreaves et al.

(10) **Patent No.:** **US D480,403 S**

(45) **Date of Patent:** **** Oct. 7, 2003**

(54) **GROUND RAKING MACHINE**

(75) Inventors: **Jonathan William Hargreaves, Jr.**
Congleton (GB); Brian Hartley,
Macclesfield (GB)

(73) Assignee: **Sisis Equipment (Macclesfield)**
Limited, Cheshire (GB)

(**) Term: **14 Years**

(21) Appl. No.: **29/171,519**

(22) Filed: **Nov. 22, 2002**

(30) **Foreign Application Priority Data**

May 25, 2002 (GB) 3003917

(51) **LOC (7) Cl.** **15-03**

(52) **U.S. Cl.** **D15/12**

(58) **Field of Search** D15/10, 11, 12,
D15/27; 172/27, 42, 43, 260; 56/370, 192,
377, 400; 37/223

(56) **References Cited**

U.S. PATENT DOCUMENTS

4,023,335 A * 5/1977 van der Lely et al. 56/370

4,048,793 A * 9/1977 van der Lely et al. 56/370
4,330,986 A * 5/1982 van der Lely et al. 56/377
D354,496 S * 1/1995 Katoh et al. D15/12
5,581,914 A * 12/1996 Sinykin 37/223
D386,768 S * 11/1997 Rubin et al. D15/12
5,908,075 A * 6/1999 Iannello 172/42
D449,052 S * 10/2001 Ito et al. D15/12

* cited by examiner

Primary Examiner—Mitchell Siegel

(74) *Attorney, Agent, or Firm*—Samuels, Gauthier &
Stevens

(57) **CLAIM**

The ornamental design for a ground raking machine, as shown and described.

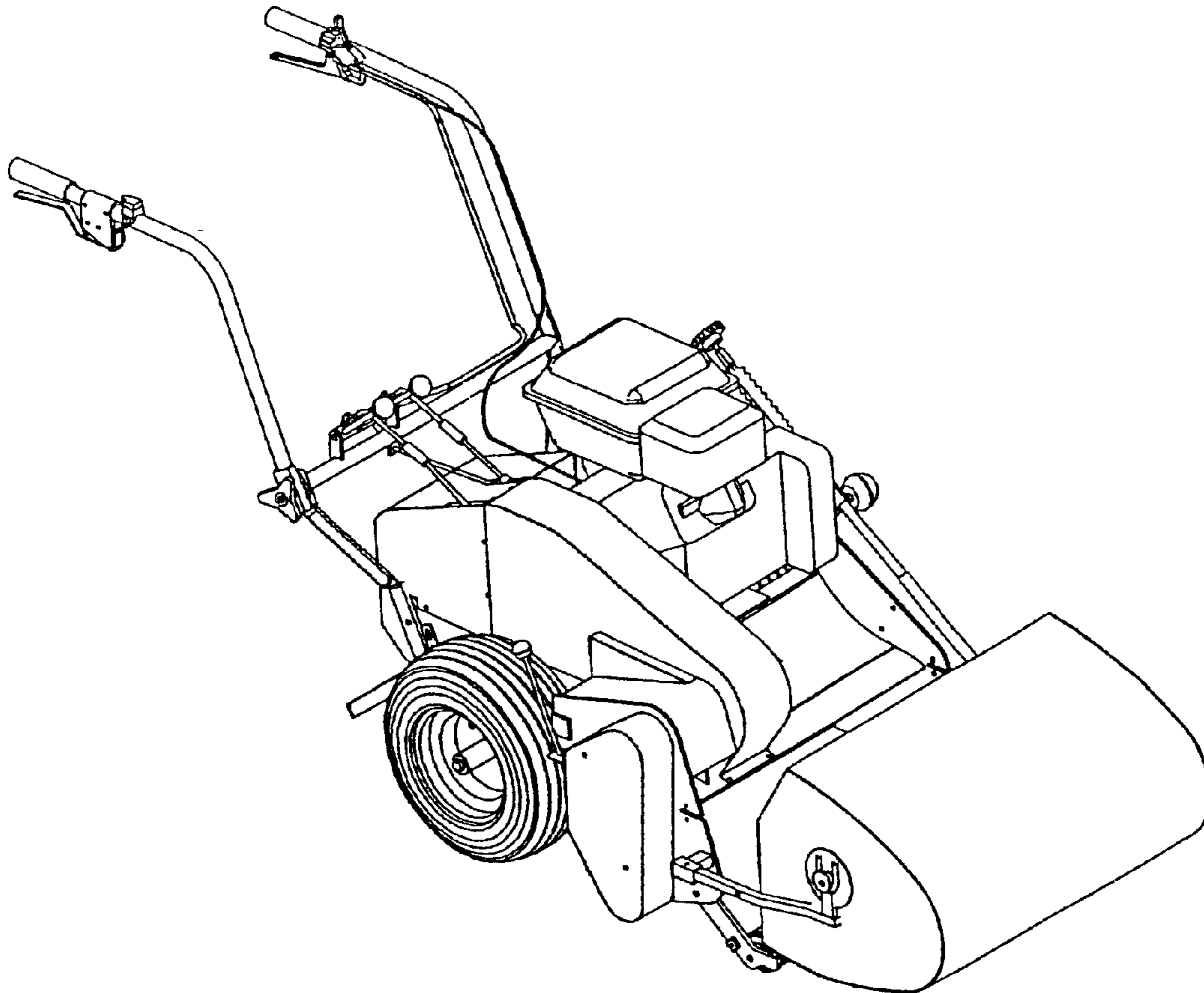
DESCRIPTION

FIG. 1 is a right front perspective view of a ground raking machine, showing our new design;

FIG. 2 is a left front perspective view thereof; and,

FIG. 3 is a rear view thereof.

1 Claim, 2 Drawing Sheets



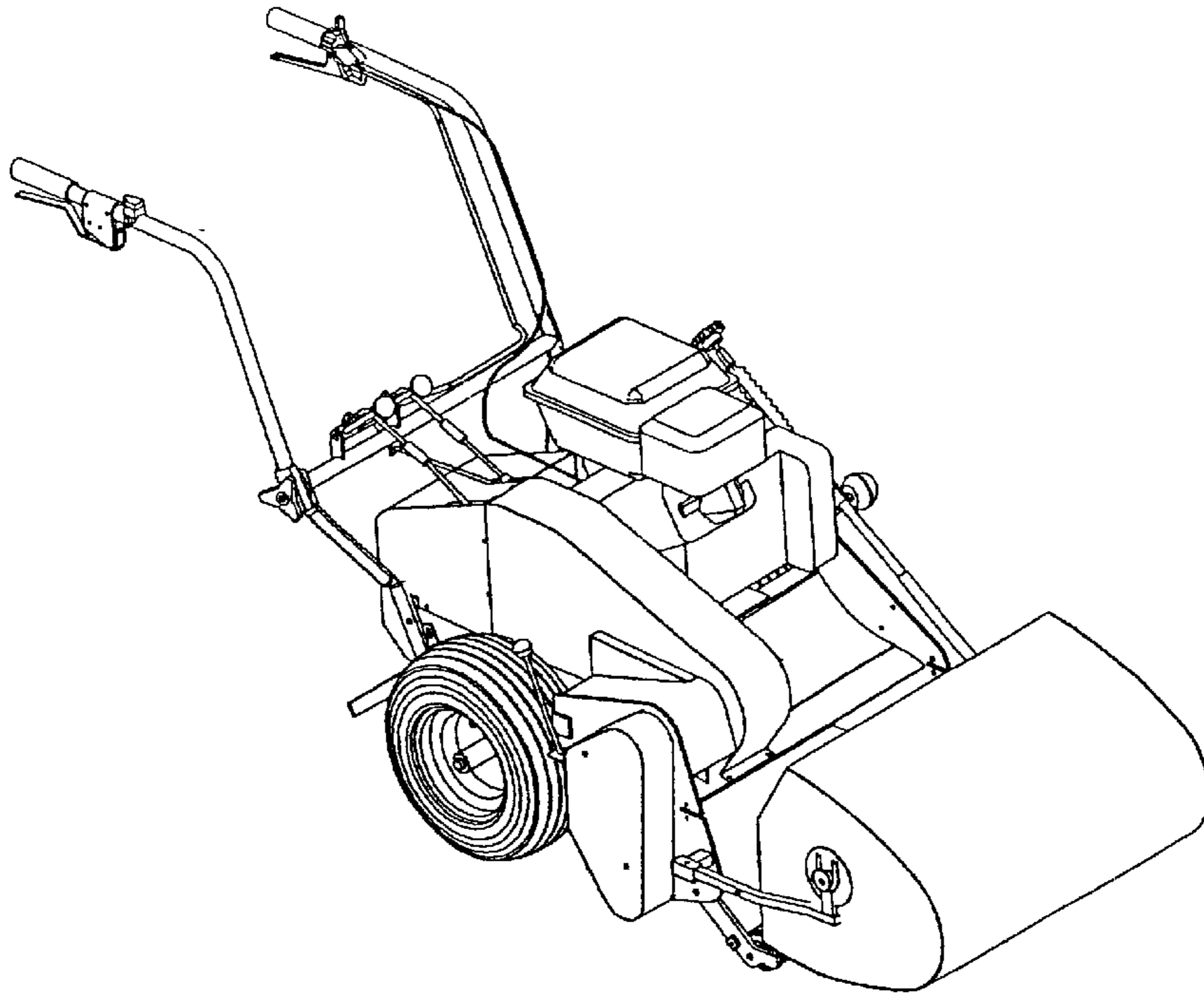
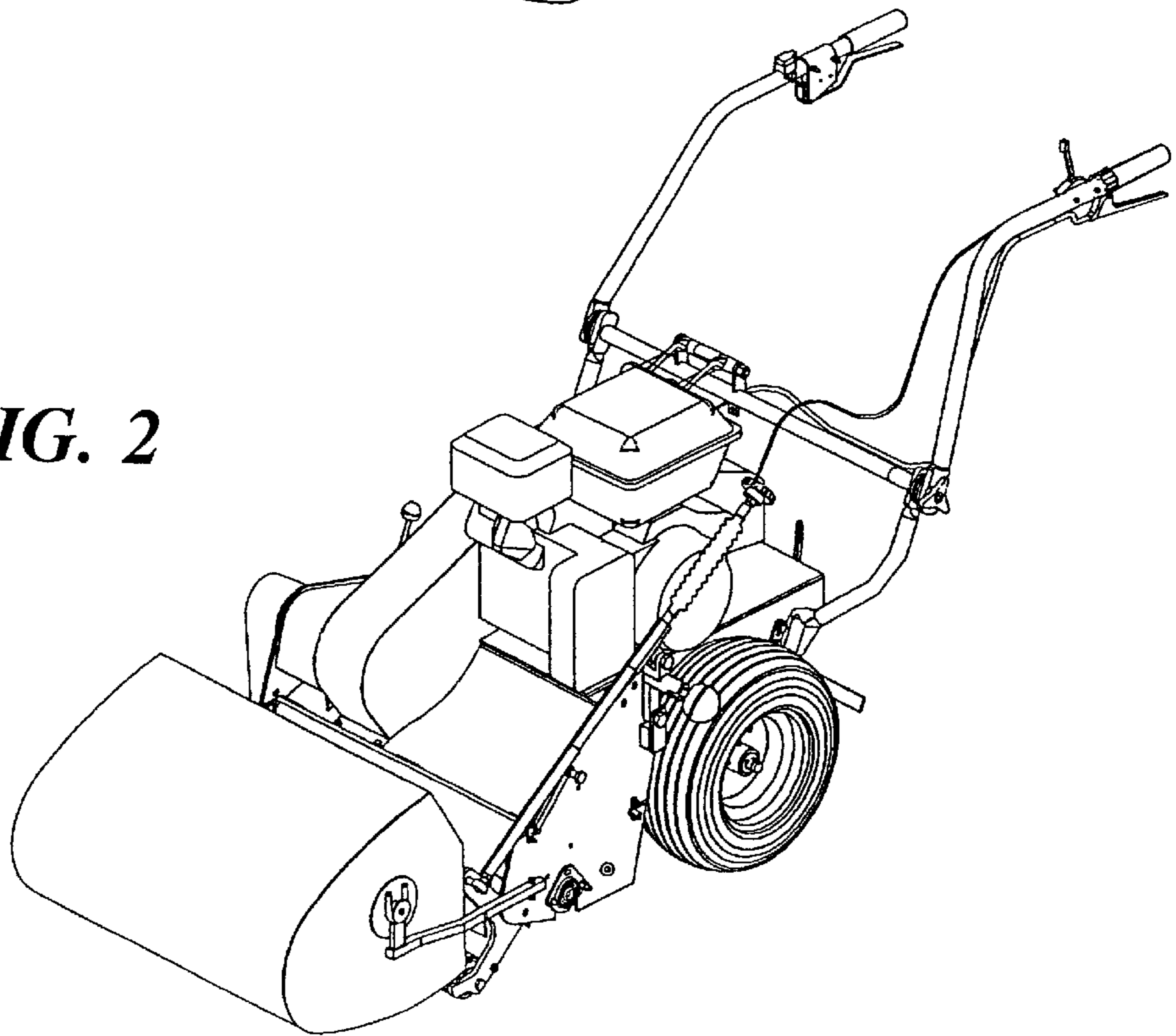


FIG. 1

FIG. 2



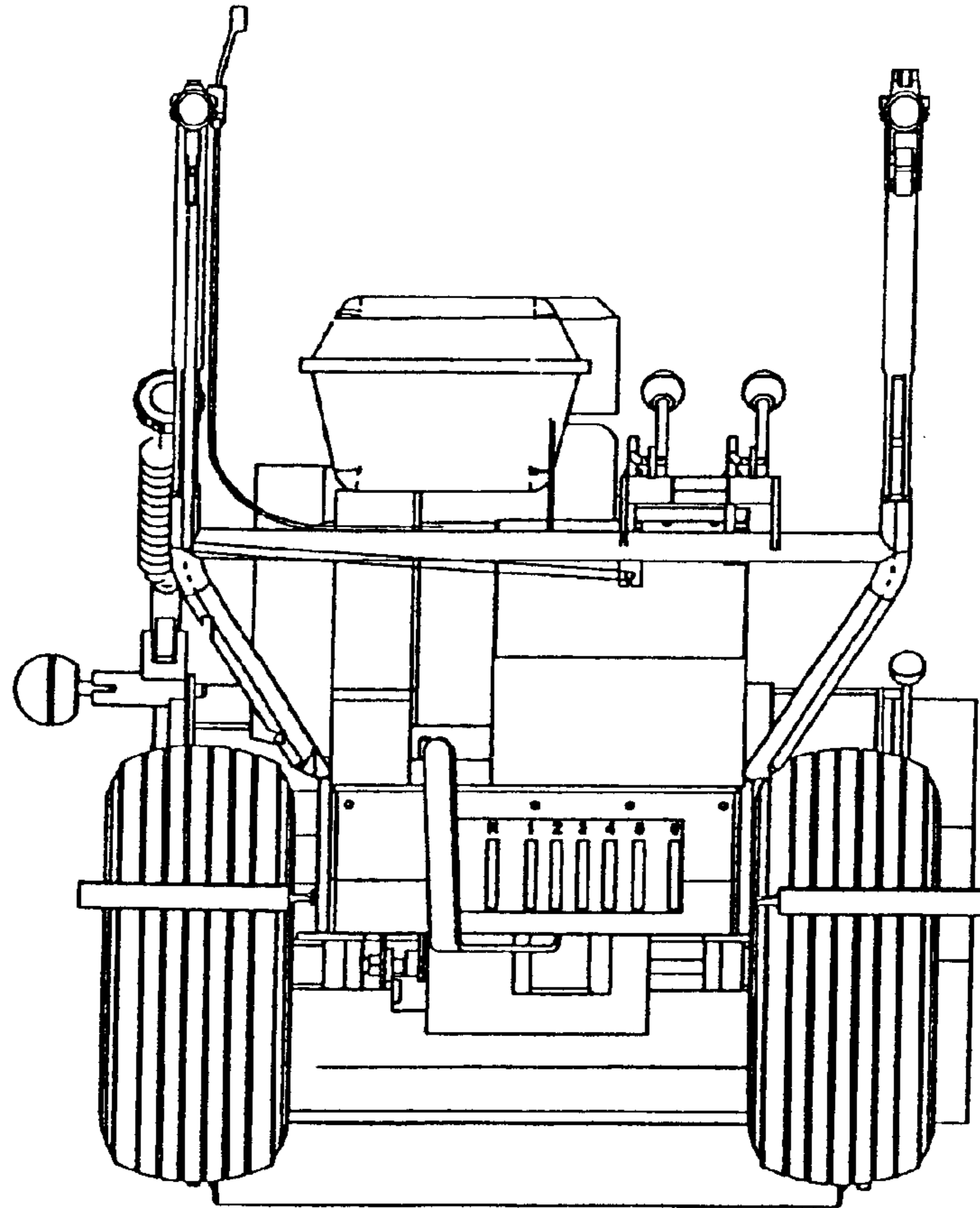


FIG. 3