



US00D480397S

(12) **United States Design Patent**
Forsythe et al.

(10) **Patent No.:** **US D480,397 S**

(45) **Date of Patent:** **** Oct. 7, 2003**

(54) **PRICE VERIFIER**

(75) Inventors: **Donald L. Forsythe**, Dacula, GA (US);
David L. Gregerson, Lawrenceville,
GA (US); **Jennie P. Psihogios**, Decatur,
GA (US); **Mary M. Ryan**, Atlanta, GA
(US)

(73) Assignee: **NCR Corporation**, Dayton, OH (US)

(**) Term: **14 Years**

(21) Appl. No.: **29/166,809**

(22) Filed: **Sep. 4, 2002**

(51) **LOC (7) Cl.** **14-02**

(52) **U.S. Cl.** **D14/383**

(58) **Field of Search** D14/383-386,
D14/341, 129, 336; D18/4.1, 4.4, 4.5, 4.6;
355/64, 65, 75, 81; 250/556; 235/380, 382,
382.5; D21/329

(56) **References Cited**

U.S. PATENT DOCUMENTS

D373,576 S * 9/1996 Liggett D14/341

D381,651 S * 7/1997 Banik et al. D14/129
D410,499 S * 6/1999 Smith et al. D21/329
D423,037 S * 4/2000 Ohki et al. D18/4.6
D447,137 S * 8/2001 Hultzman D14/336

* cited by examiner

Primary Examiner—Freda Nunn

(74) *Attorney, Agent, or Firm*—Paul W. Martin

(57) **CLAIM**

The ornamental design for a price verifier, as shown and described.

DESCRIPTION

FIG. 1 is a front view of the price verifier;
FIG. 2 is a rear view;
FIG. 3 is a left side view;
FIG. 4 is a right side view;
FIG. 5 is a top view; and,
FIG. 6 is a perspective view.

1 Claim, 6 Drawing Sheets

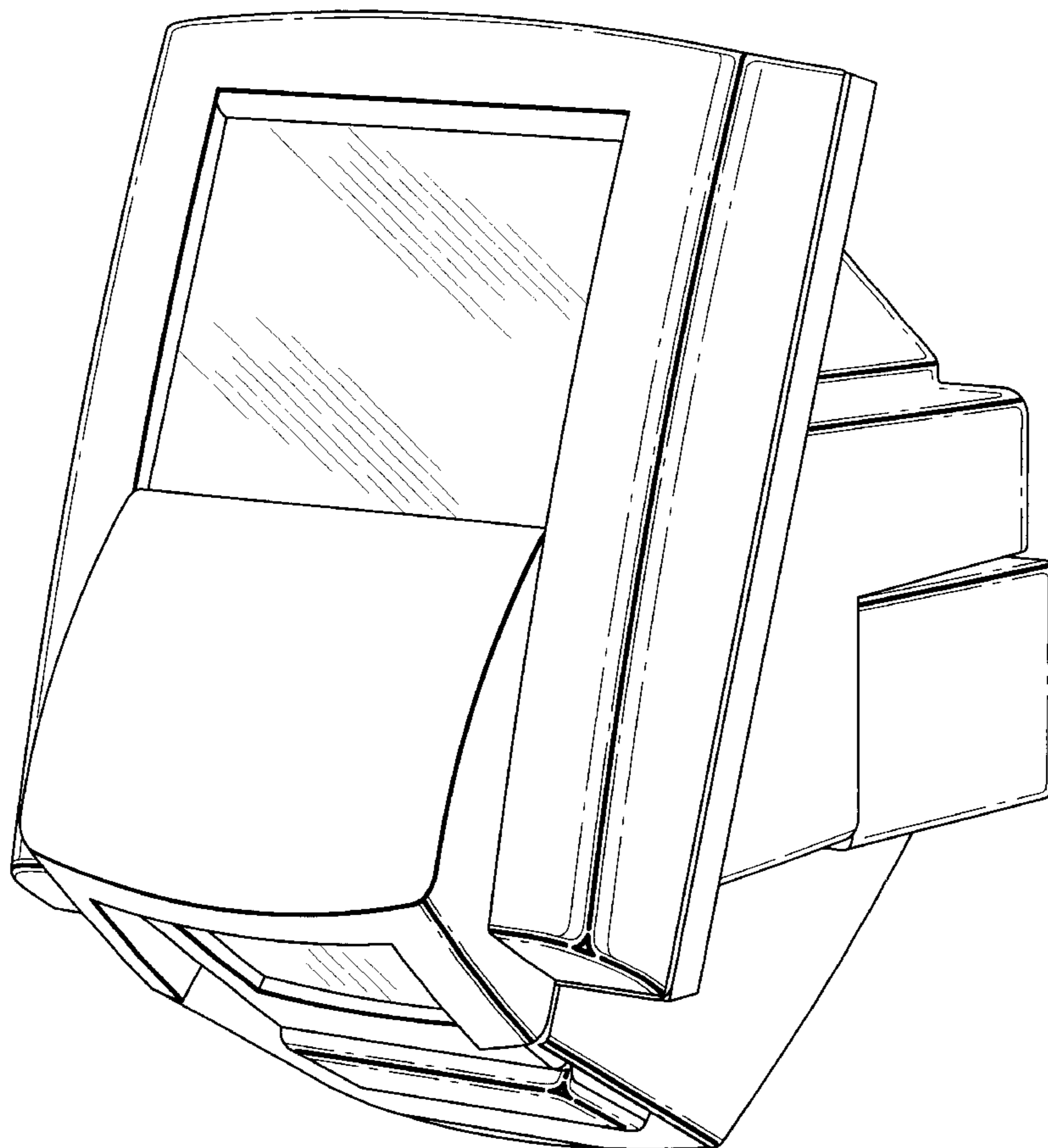


FIG. 1

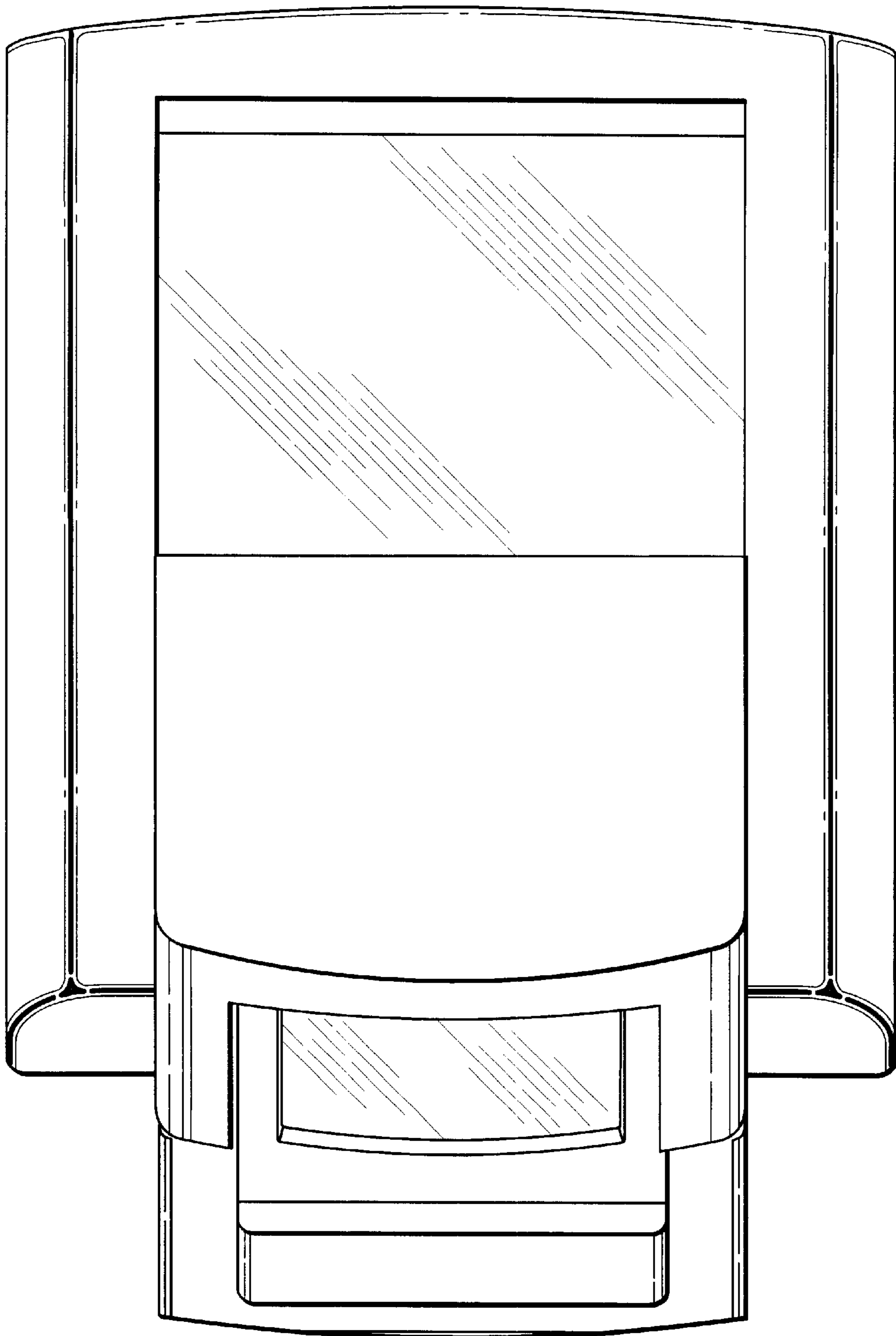


FIG. 2

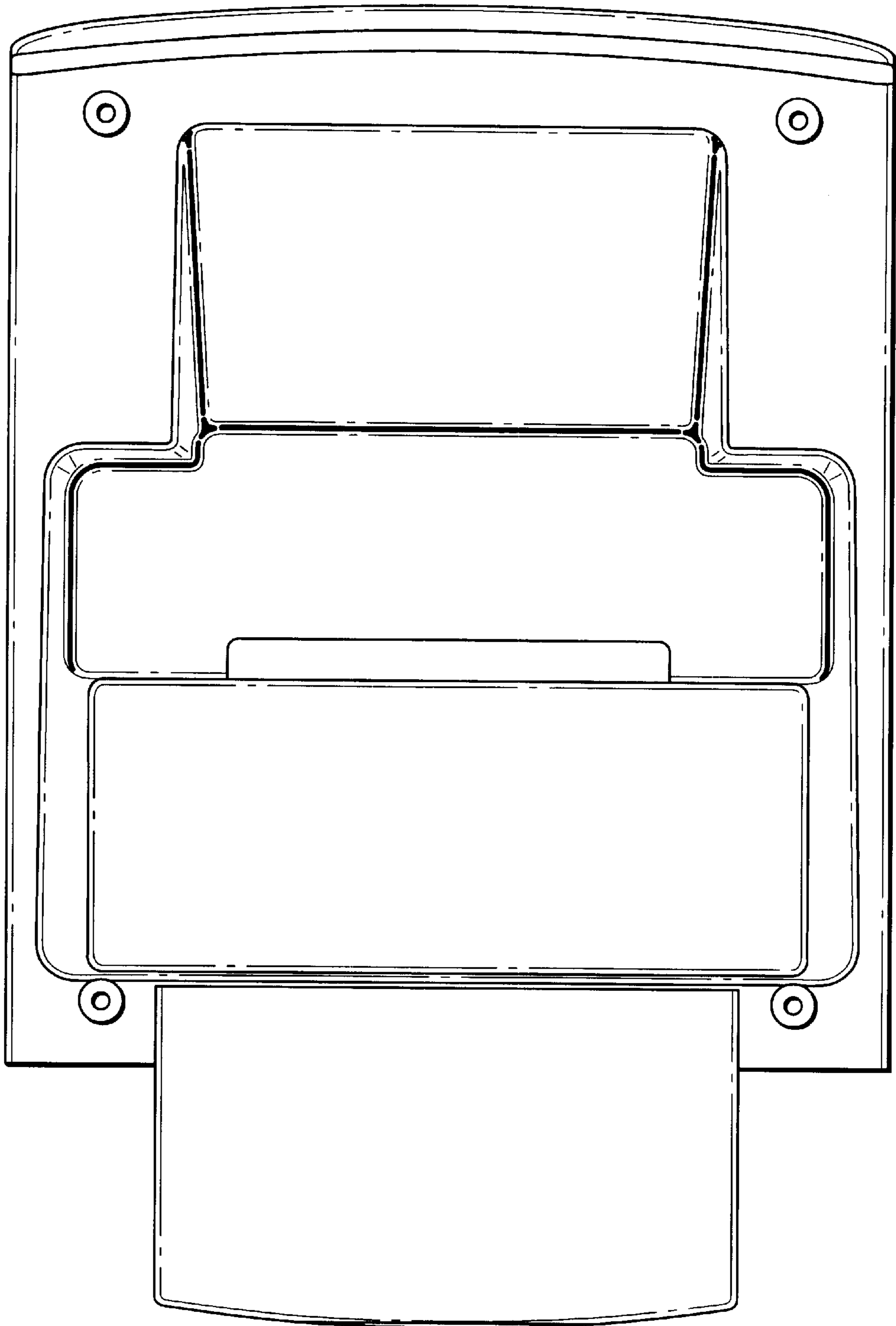


FIG. 3

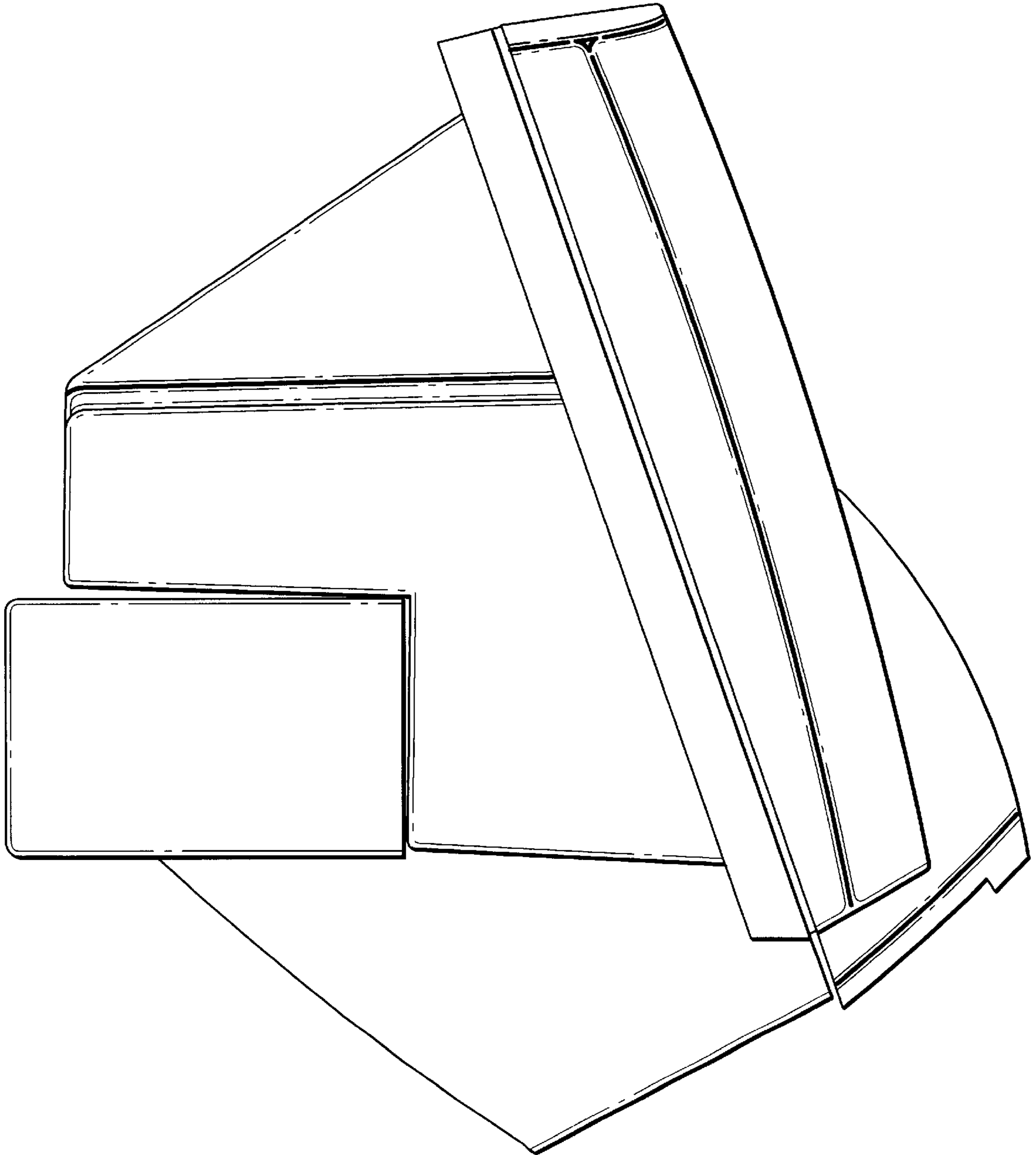


FIG. 4

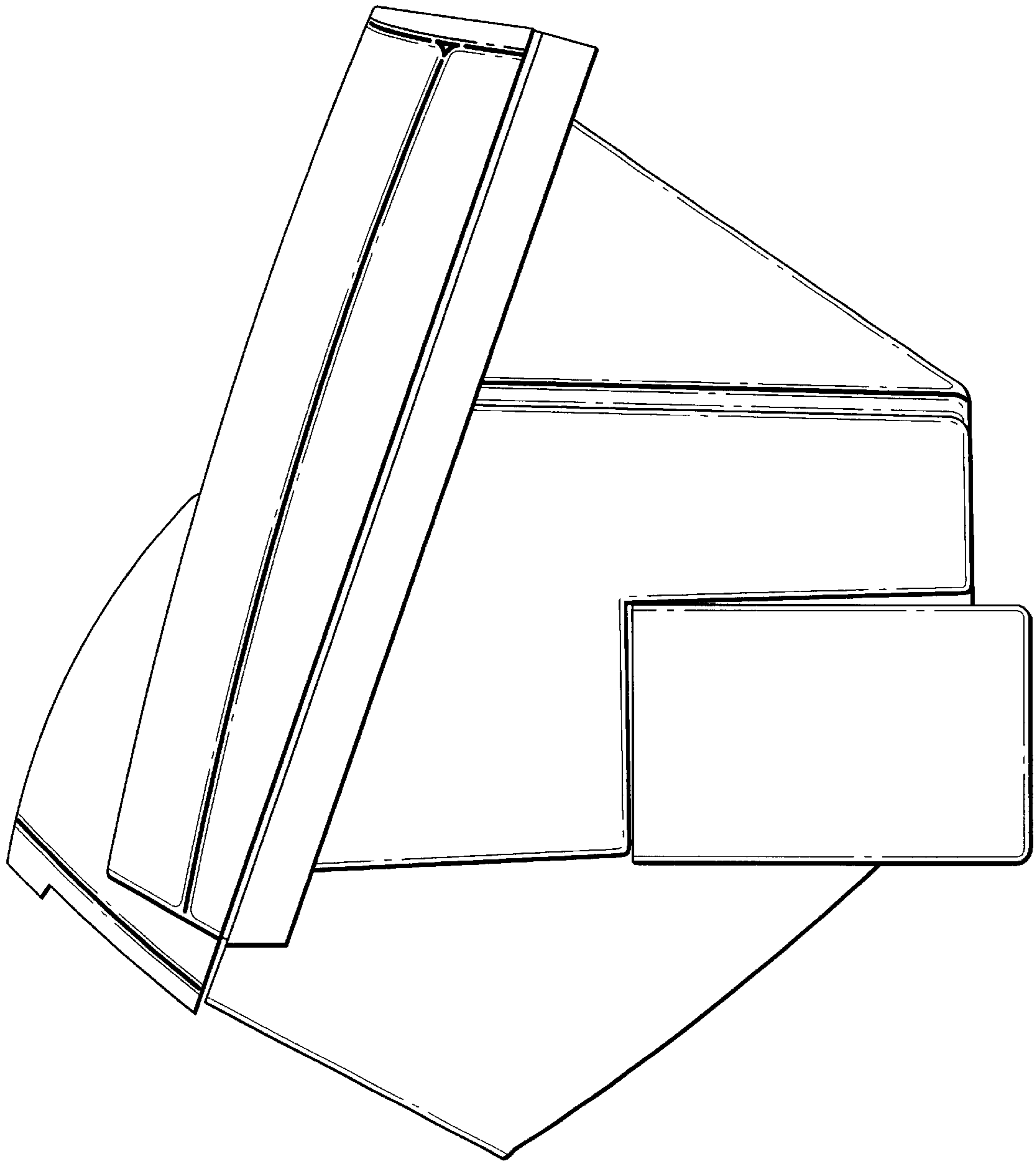


FIG. 5

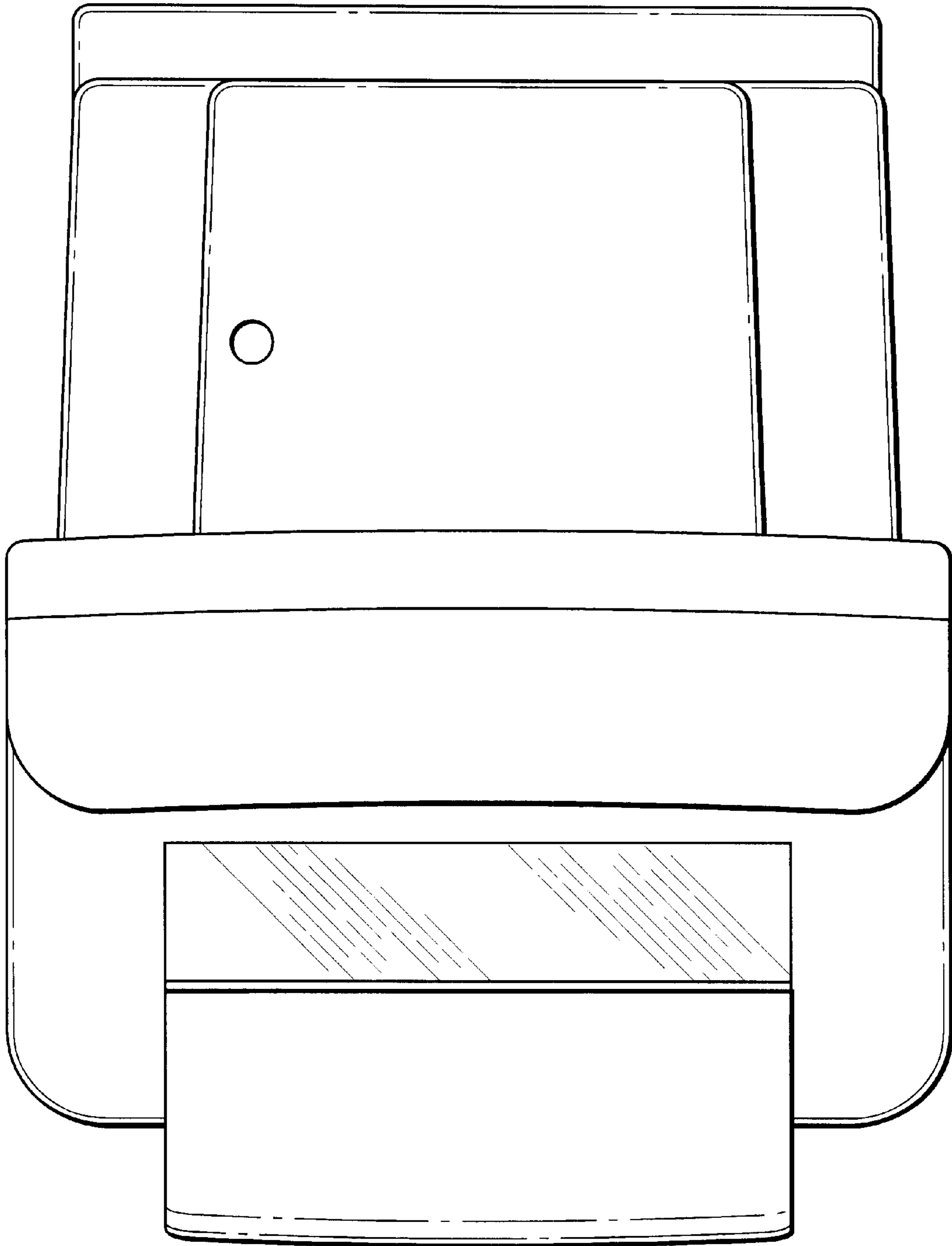


FIG. 6

