



US00D480395S

(12) **United States Design Patent**

Lee et al.

(10) Patent No.:

US D480,395 S

(45) Date of Patent:

**** Oct. 7, 2003**

(54) **LAPTOP COMPUTER**

(75) Inventors: **Steven K. Lee**, Minneapolis, MN (US);
Ferdinand A. Porsche, Gries/Pzg. (AT)

(73) Assignee: **VPR Matrix, Inc.**, Richfield, MN (US)

(**) Term: **14 Years**

(21) Appl. No.: **29/169,326**

(22) Filed: **Oct. 17, 2002**

(51) **LOC (7) Cl.** **14-02**

(52) **U.S. Cl.** **D14/318**

(58) **Field of Search** D14/315-327;
D18/1, 2, 7; 235/145 A, 145 R; 341/22,
23; 345/104, 156, 168, 169, 173; 361/680-686

(56) **References Cited**

U.S. PATENT DOCUMENTS

- D391,927 S * 3/1998 Faranda et al. D14/318
- D402,968 S * 12/1998 Wolff et al. D14/318
- D410,442 S 6/1999 Goodner et al.
- D424,032 S 5/2000 Andre et al.
- D427,192 S * 6/2000 Segawa et al. D14/318

D435,843 S 1/2001 Andre et al.

D455,743 S * 4/2002 Smith et al. D14/328

* cited by examiner

Primary Examiner—Freda Nunn

(74) *Attorney, Agent, or Firm*—Beck & Tysver, P.L.L.C.

(57) **CLAIM**

The ornamental design for a laptop computer, as shown and described.

DESCRIPTION

FIG. 1 is an isometric view of a laptop computer.

FIG. 2 is a top view thereof.

FIG. 3 is a bottom view thereof.

FIG. 4 is a front view thereof.

FIG. 5 is a back view thereof.

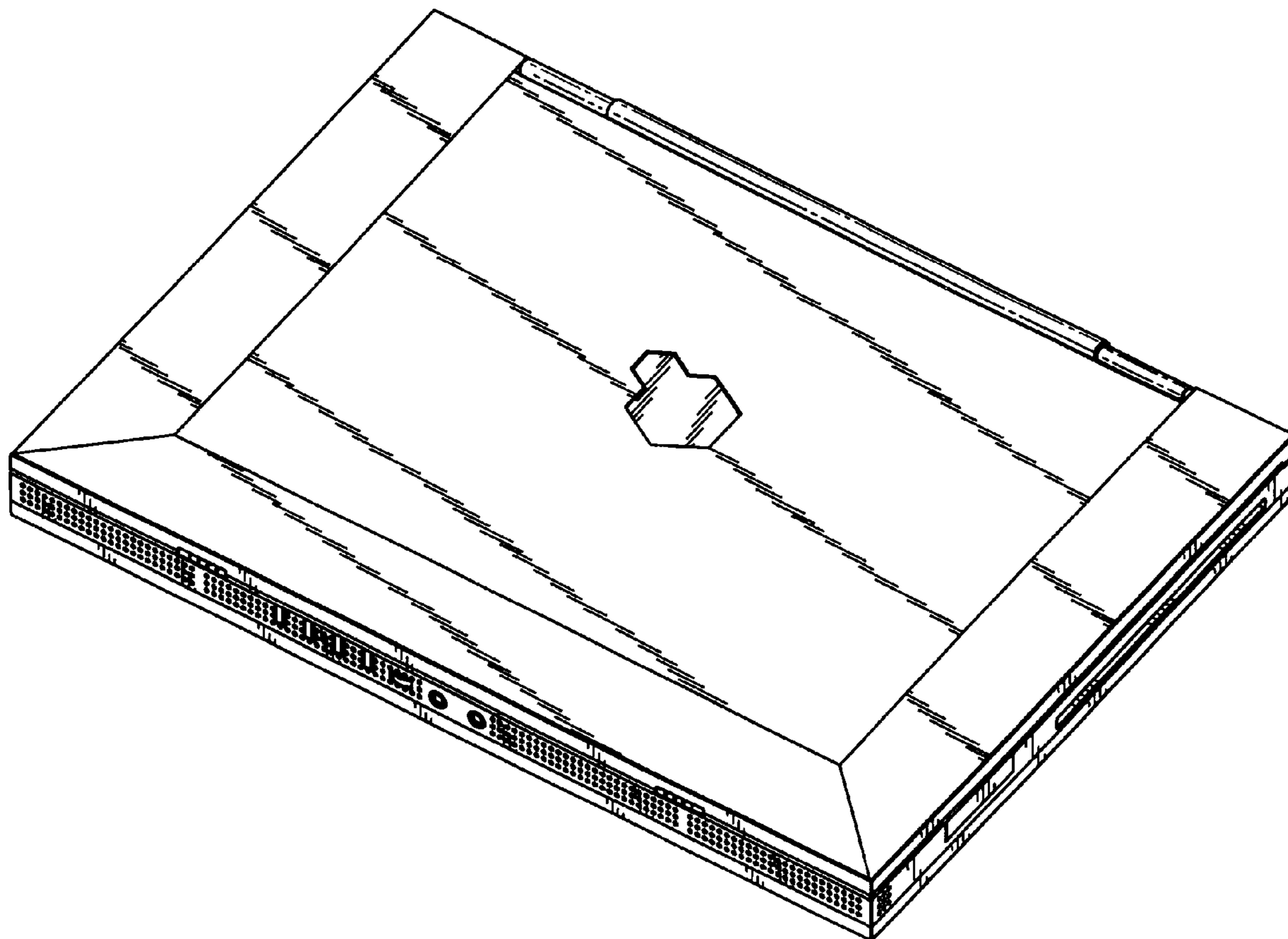
FIG. 6 is a right side view thereof.

FIG. 7 is a left side view thereof; and,

FIG. 8 is an isometric view of the laptop computer of FIG. 1 in an open configuration.

The broken line disclosure in all views is for illustrative purposes only and forms no part of the claimed design.

1 Claim, 5 Drawing Sheets



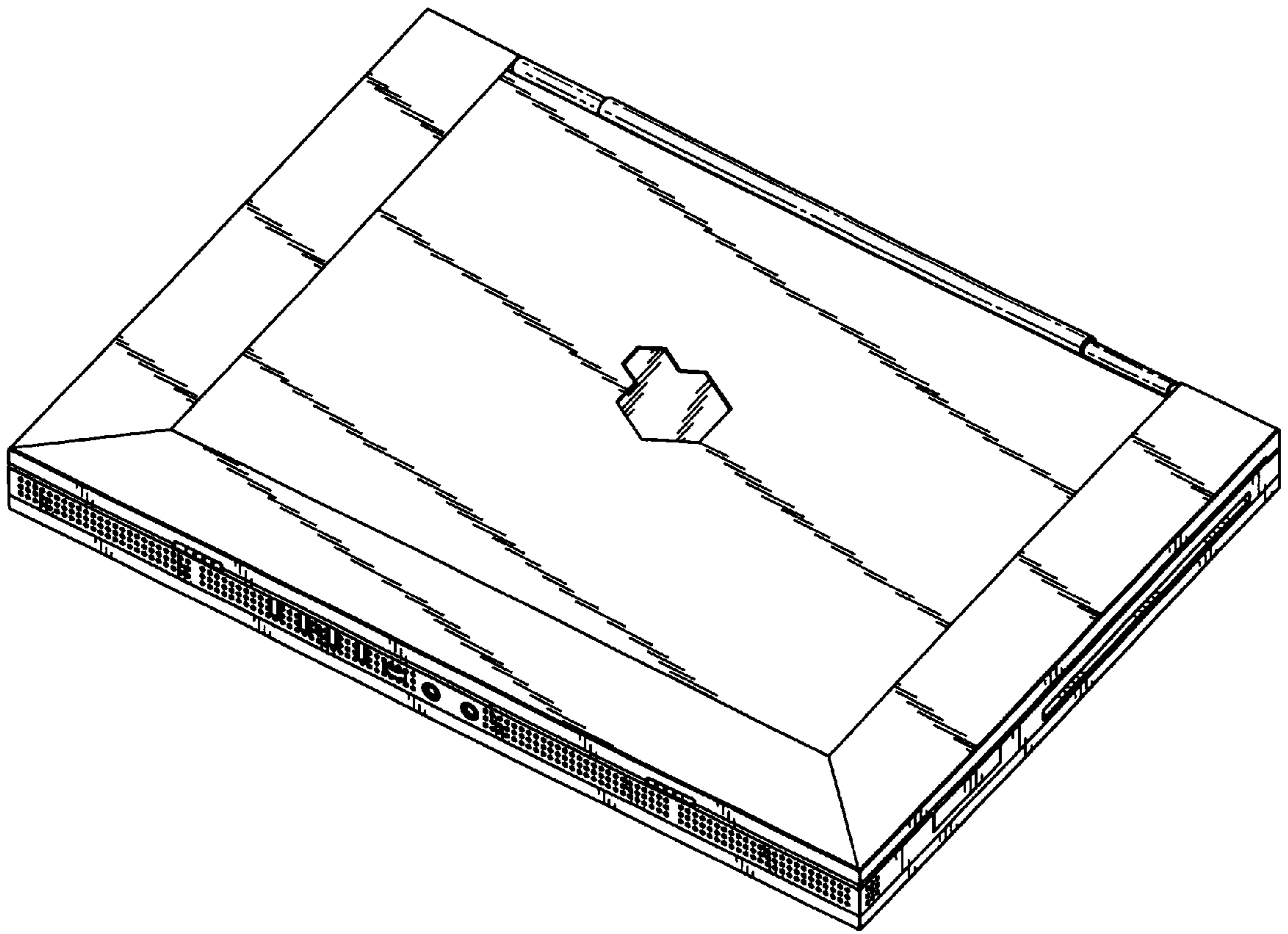


Fig. 1

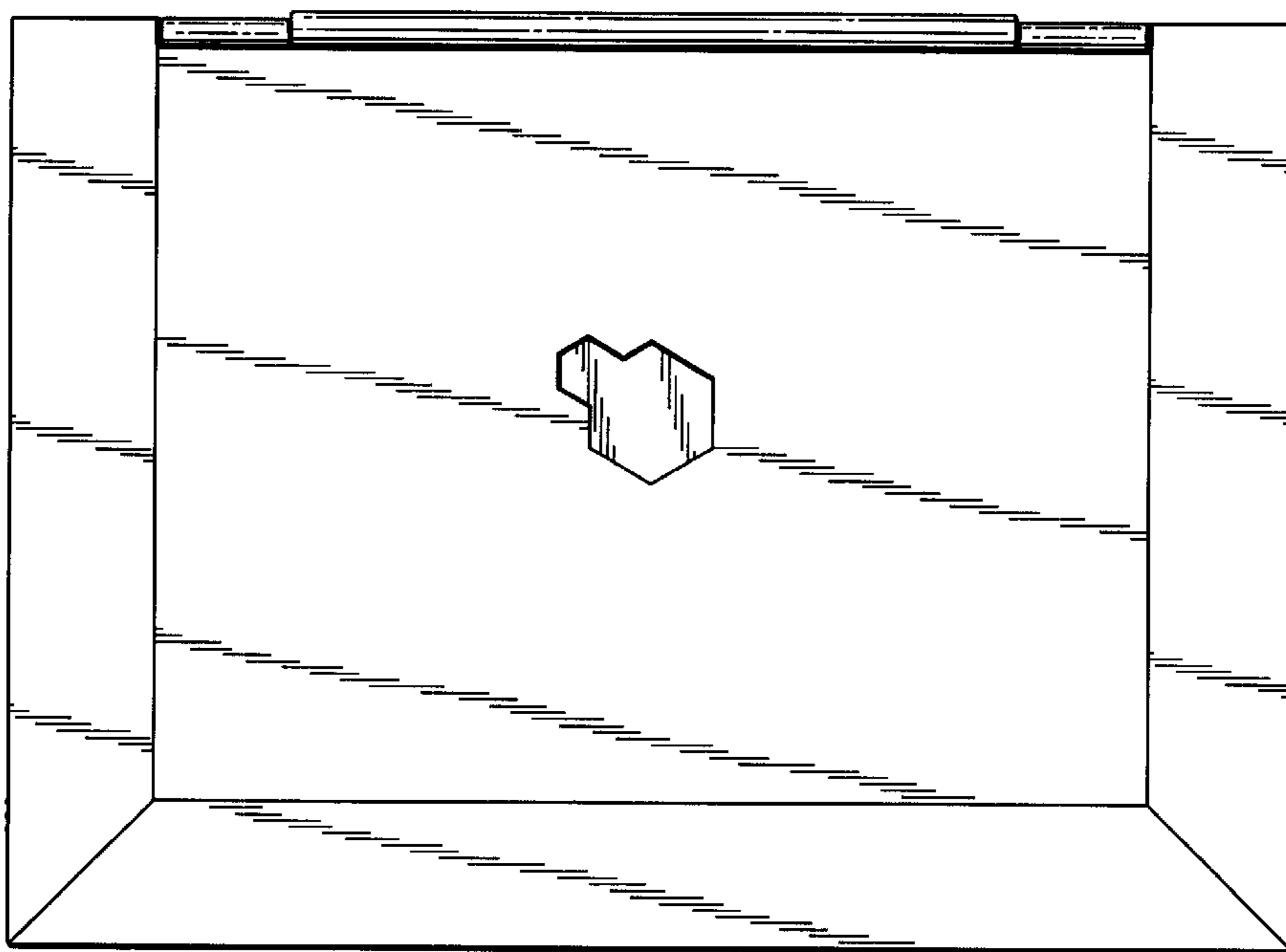


Fig. 2

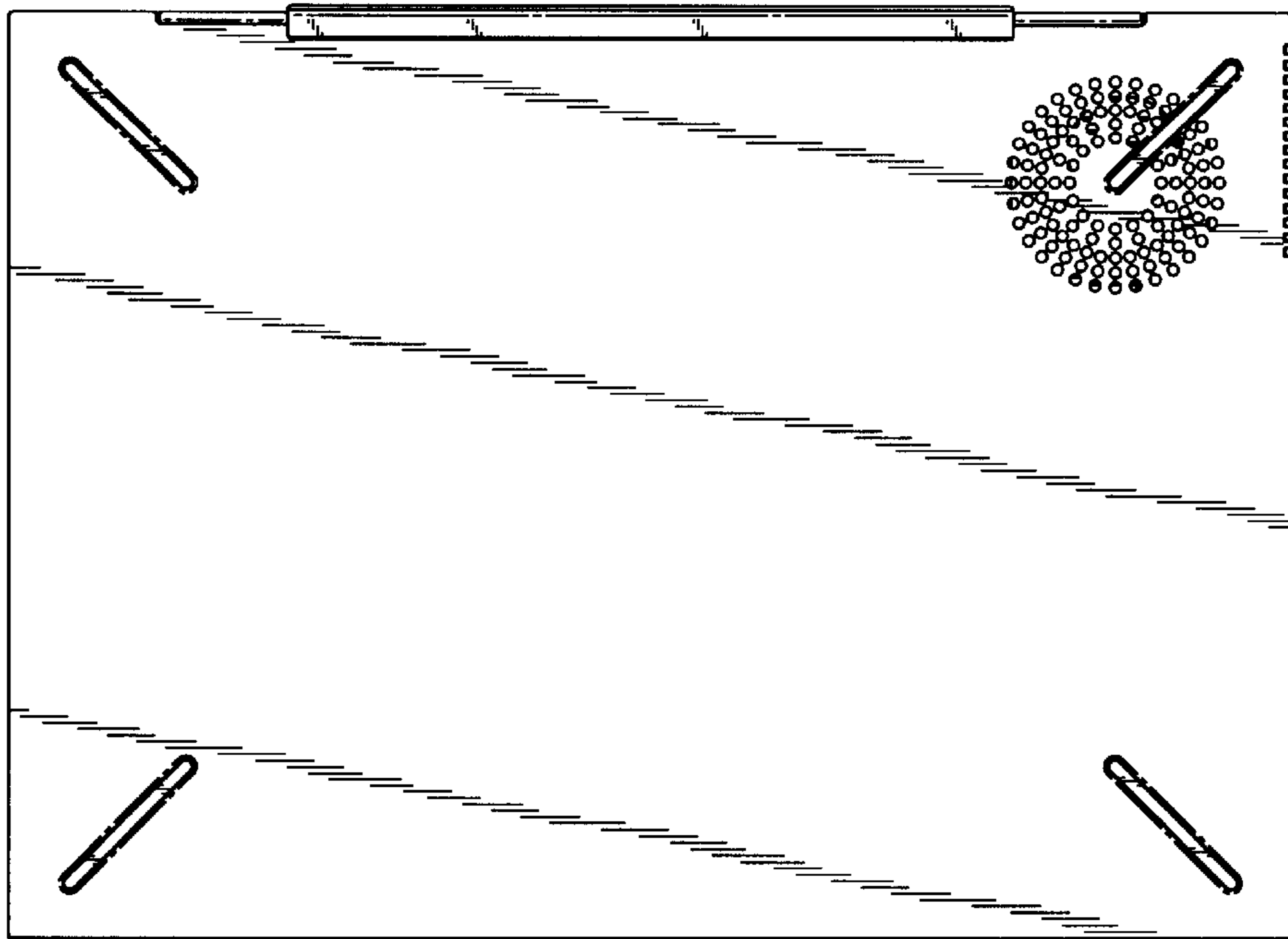


Fig. 3

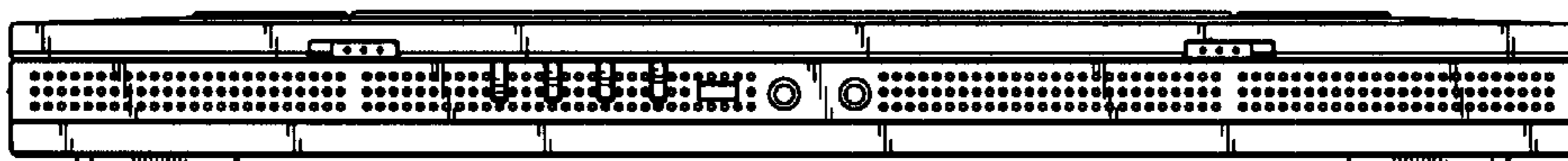


Fig. 4

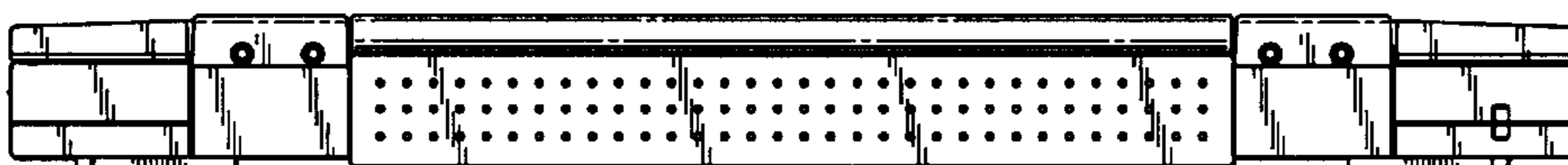


Fig. 5

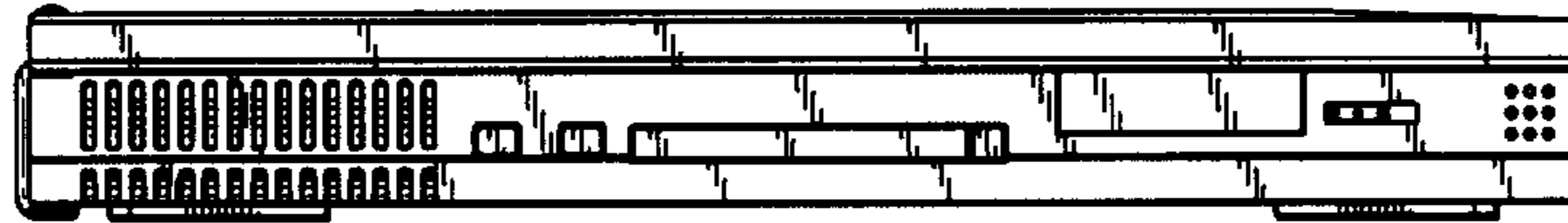


Fig. 6

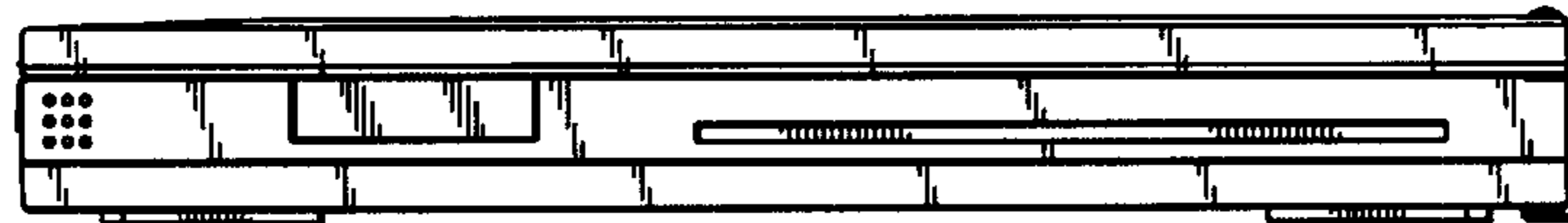


Fig. 7



Fig. 8