



US00D480390S

(12) **United States Design Patent**
Miao et al.

(10) **Patent No.: US D480,390 S**

(45) **Date of Patent: ** Oct. 7, 2003**

- (54) **WIRELESS LAN ACCESS STATION**
- (75) Inventors: **Chang-Ta Miao**, Taipei (TW);
Gwo-Chyuan Chen, Taipei (TW)
- (73) Assignee: **Quanta Computer Inc.**, Tao Yuan
Shien (TW)
- (**) Term: **14 Years**
- (21) Appl. No.: **29/165,257**
- (22) Filed: **Aug. 6, 2002**
- (51) **LOC (7) Cl. 14-03**
- (52) **U.S. Cl. D14/240**
- (58) **Field of Search D14/240-242,**
D14/357; D13/184; 360/69; 379/220.01,
221.09, 221.01, 225, 93.09, 93.15, 156,
900, 338, 339; 381/124

- D472,235 S * 3/2003 Chen D14/240
- D473,220 S * 4/2003 Smith et al. D14/240
- D473,221 S * 4/2003 Gargani et al. D14/240

FOREIGN PATENT DOCUMENTS

- GB 2103354 * 8/2001 14/3
- WO DM/052978 * 8/2000 14/3
- WO DM/057367 * 6/2001 14/2

* cited by examiner

Primary Examiner—Charles A. Rademaker

(57) **CLAIM**

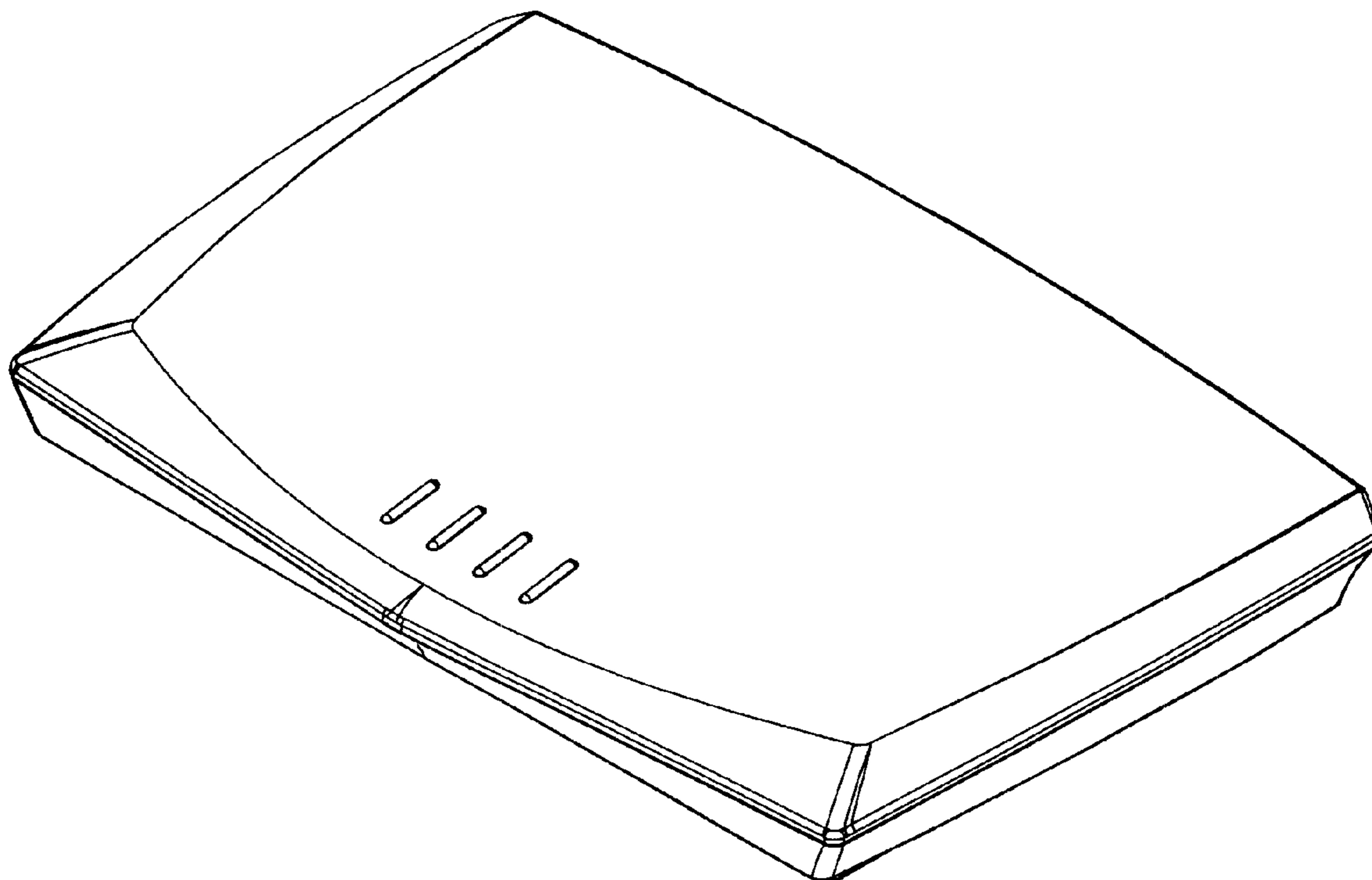
The ornamental design for a wireless LAN access station, as shown and described.

DESCRIPTION

FIG. 1 is a front, side perspective view of a wireless LAN access station showing my new design;
 FIG. 2 is a front elevational view thereof;
 FIG. 3 is a left side elevational view thereof;
 FIG. 4 is a right side elevational view thereof;
 FIG. 5 is a top plan view thereof;
 FIG. 6 is a bottom plan view thereof; and,
 FIG. 7 is a rear elevational view thereof.

1 Claim, 7 Drawing Sheets

- (56) **References Cited**
- U.S. PATENT DOCUMENTS**
- D380,475 S * 7/1997 Rasmussen D14/240
- D425,517 S * 5/2000 Wheatley et al. D14/240
- D437,592 S * 2/2001 DeLeon D14/242
- D461,181 S * 8/2002 Ko D14/242



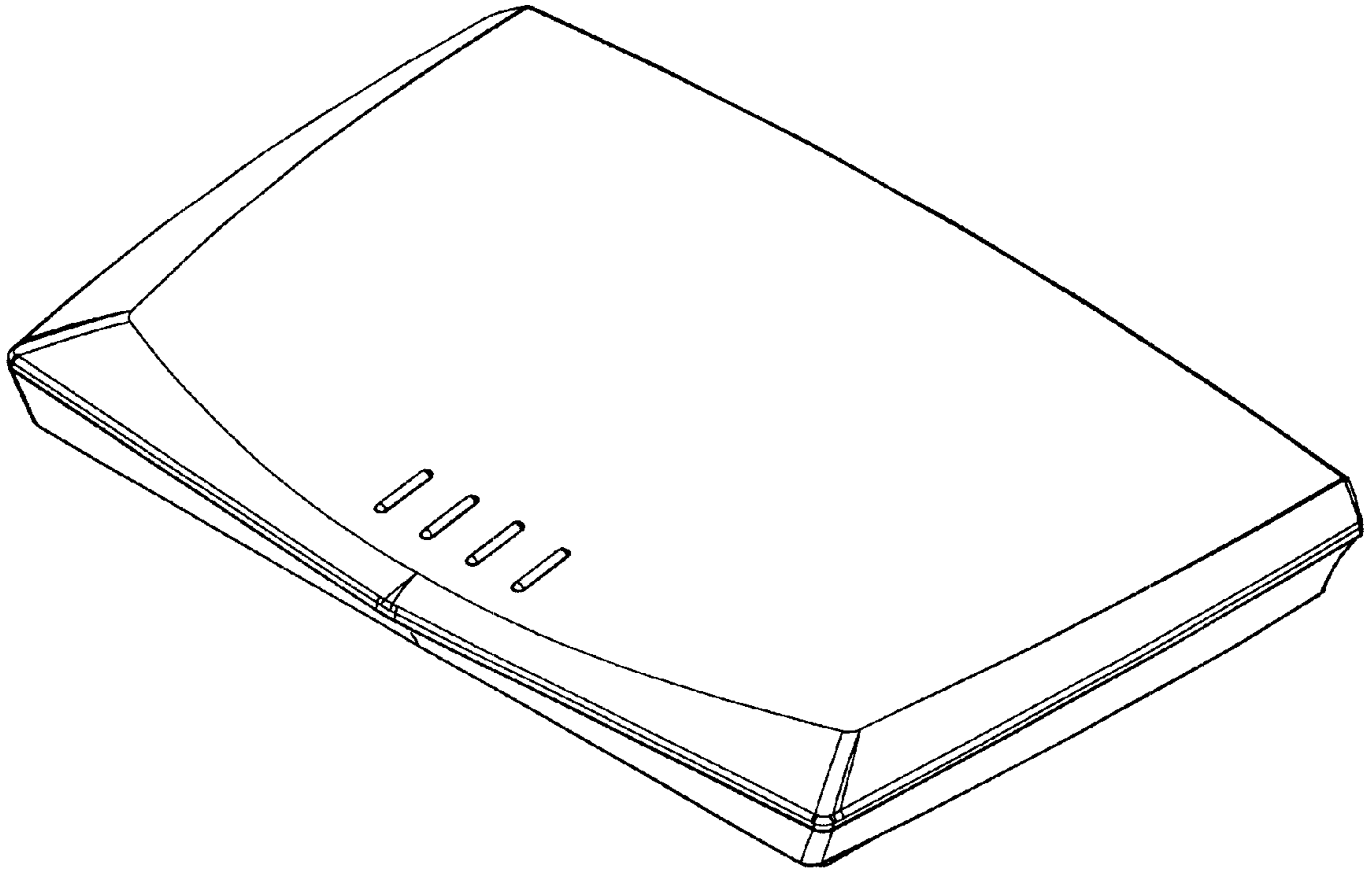


FIG. 1

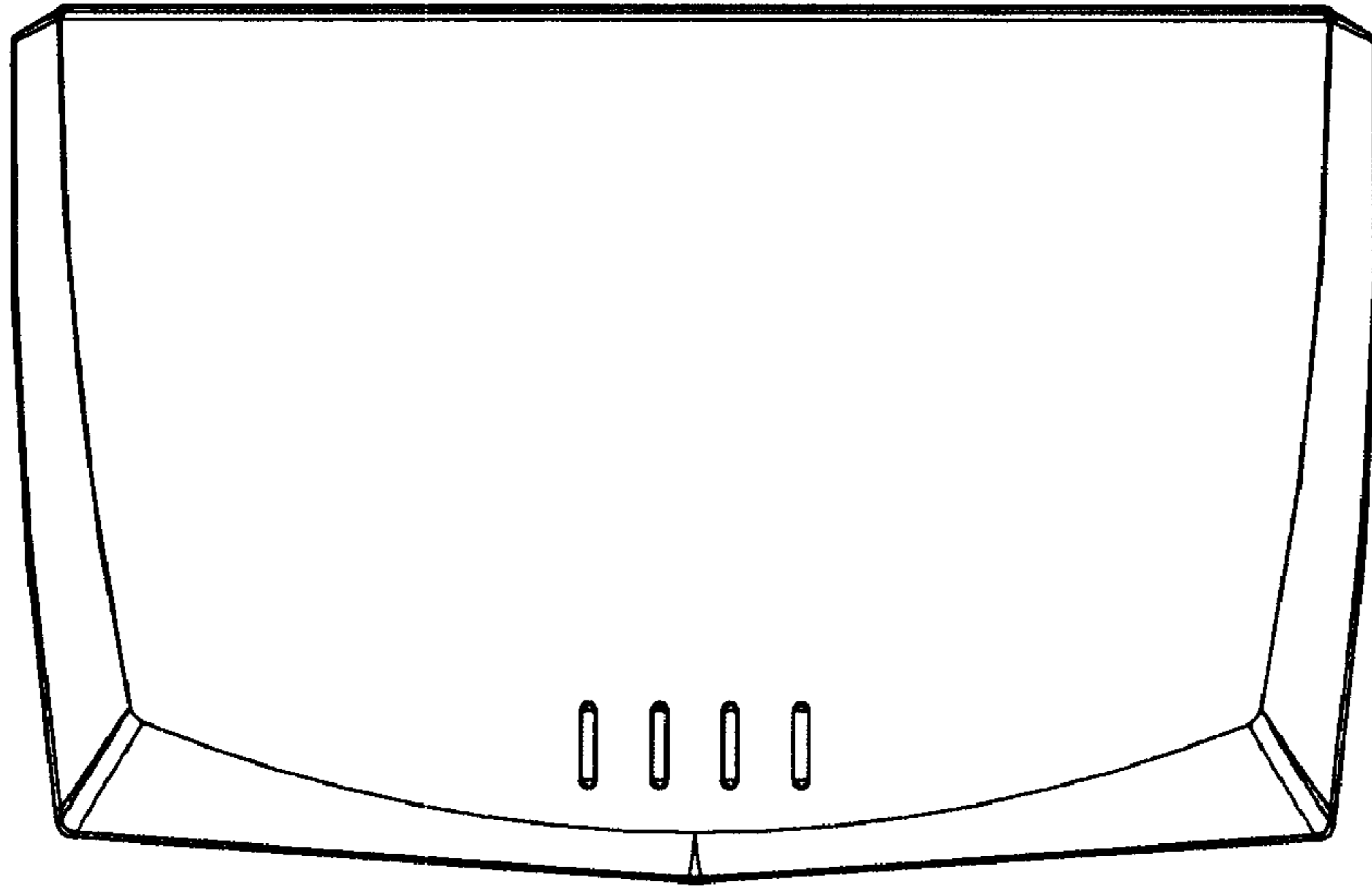


FIG. 2

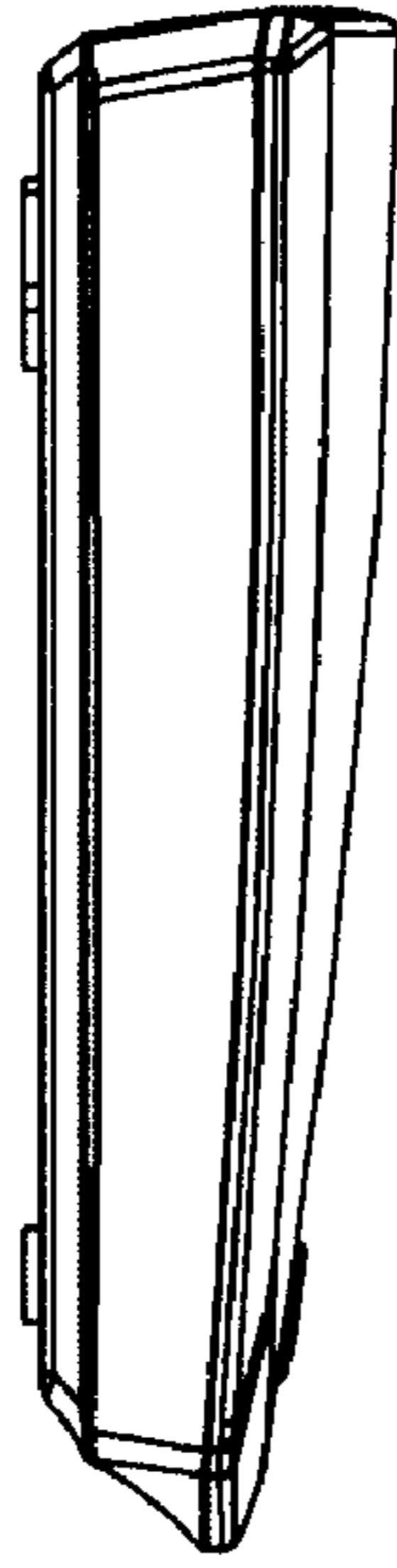


FIG. 3

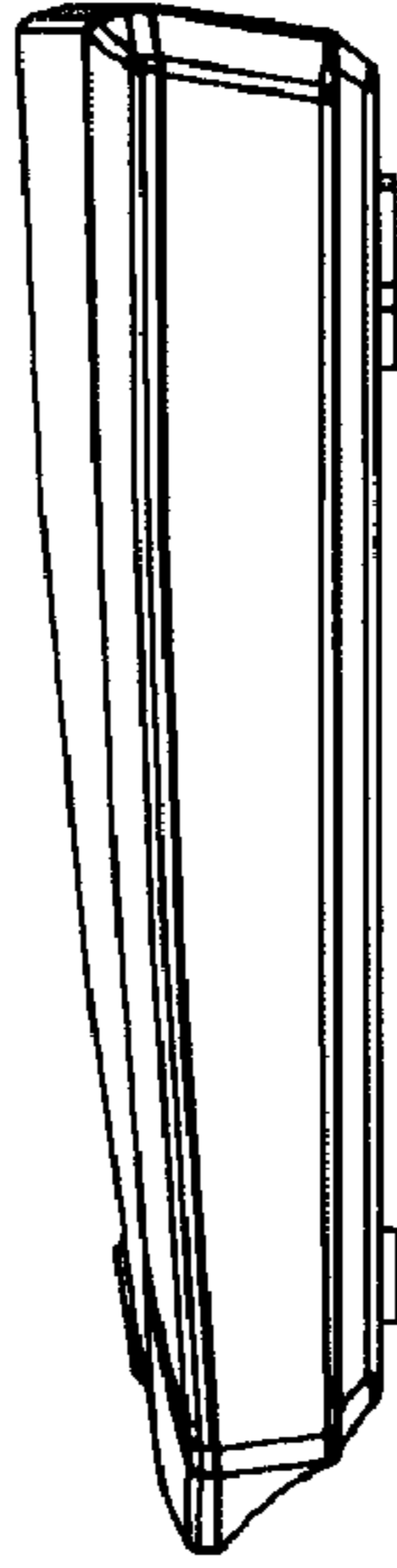


FIG. 4

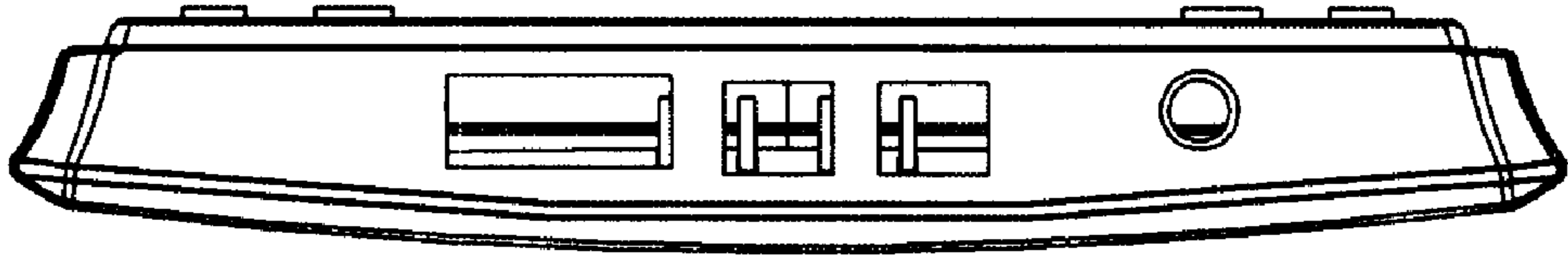


FIG. 5

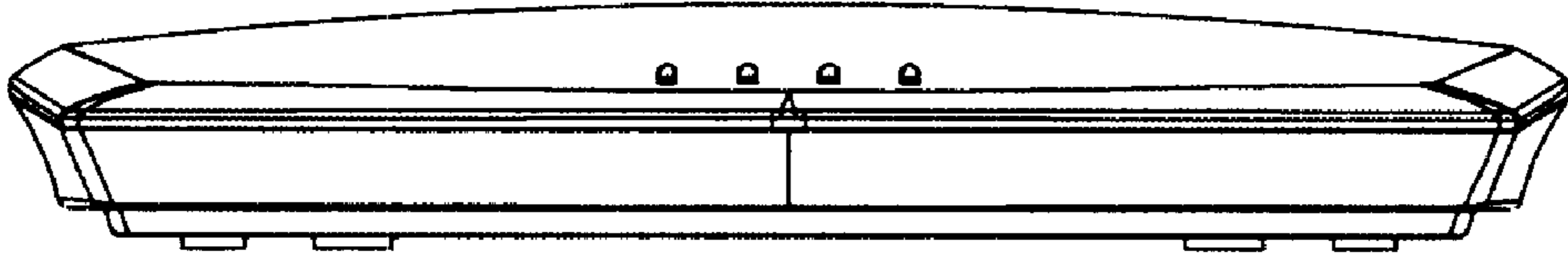


FIG. 6

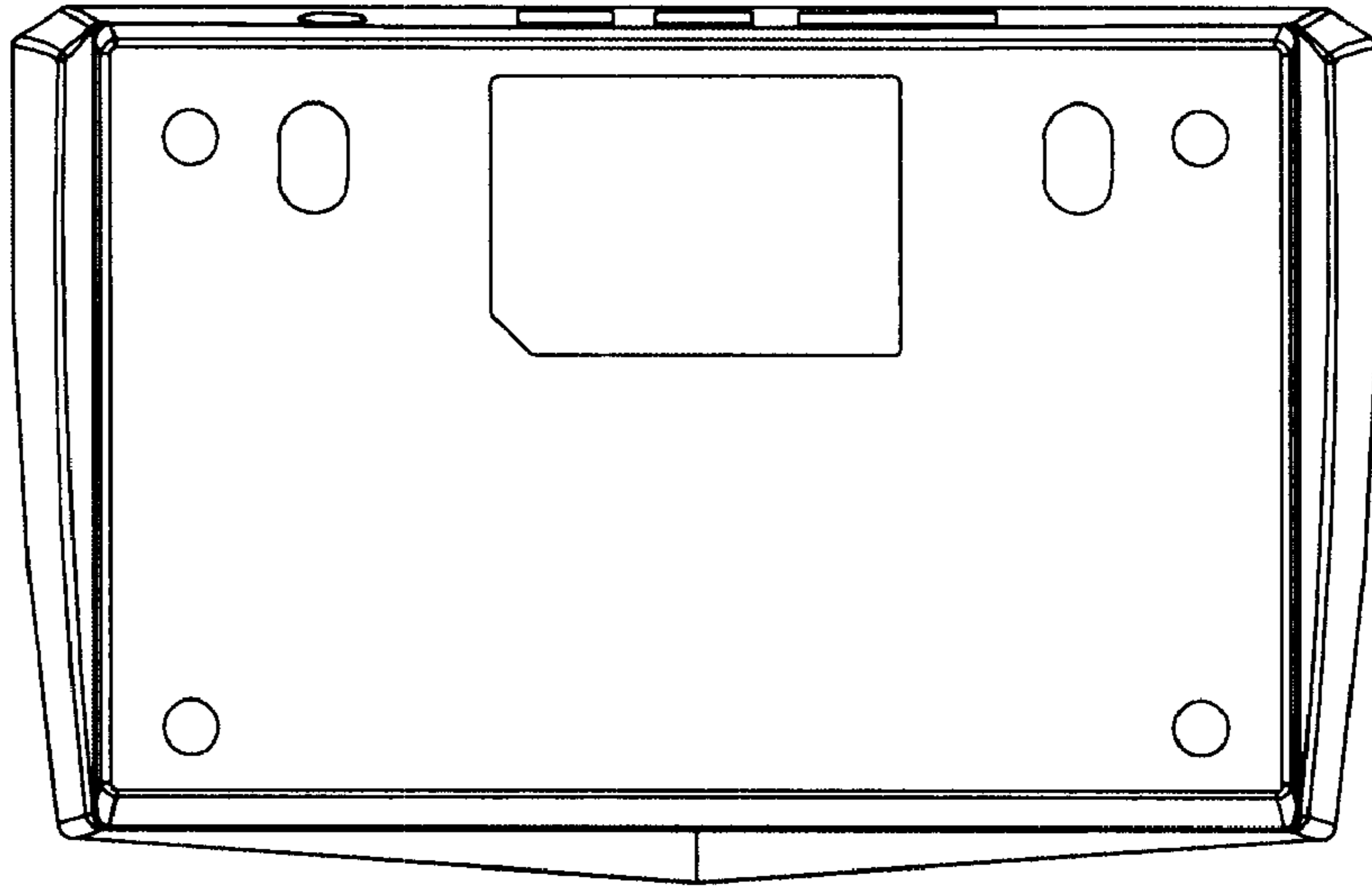


FIG. 7