



US00D480389S

(12) **United States Design Patent**  
**Schulz et al.**

(10) **Patent No.: US D480,389 S**

(45) **Date of Patent: \*\* Oct. 7, 2003**

(54) **HOUSING FOR A COMMUNICATION DEVICE**

D406,848 S \* 3/1999 Salmi ..... D14/240  
D426,529 S \* 6/2000 Lohrding et al. .... D14/137  
D432,528 S \* 10/2000 Hartman et al. .... D14/243

(75) Inventors: **Gary D. Schulz**, Cary, IL (US); **David E. Rawlings**, Palatine, IL (US)

\* cited by examiner

(73) Assignee: **Motorola, Inc.**, Schaumburg, IL (US)

*Primary Examiner*—Charles A. Rademaker

(74) *Attorney, Agent, or Firm*—Daniel K. Nichols

(\*\*) Term: **14 Years**

(57) **CLAIM**

(21) Appl. No.: **29/161,713**

The ornamental design for a housing for a communication device, as shown and described.

(22) Filed: **Jun. 3, 2002**

**DESCRIPTION**

(51) **LOC (7) Cl.** ..... **14-03**

(52) **U.S. Cl.** ..... **D14/240**

(58) **Field of Search** ..... D14/240–256,  
D14/433, 356, 438, 357; D13/152, 160,  
161, 164, 178, 154; 439/651, 571; 379/419,  
420, 428, 440, 406, 93.01, 93.28; 455/90,  
462, 77, 575, 550; 375/220–225; 361/600,  
622, 724

FIG. 1 is a right, front, top perspective view an embodiment of the housing for a communication device showing our new design;

FIG. 2 is a top view thereof;

FIG. 3 is a front view thereof;

FIG. 4 is a right side view thereof;

FIG. 5 is a rear view thereof;

FIG. 6 is a left side view thereof; and,

FIG. 7 is a bottom view thereof.

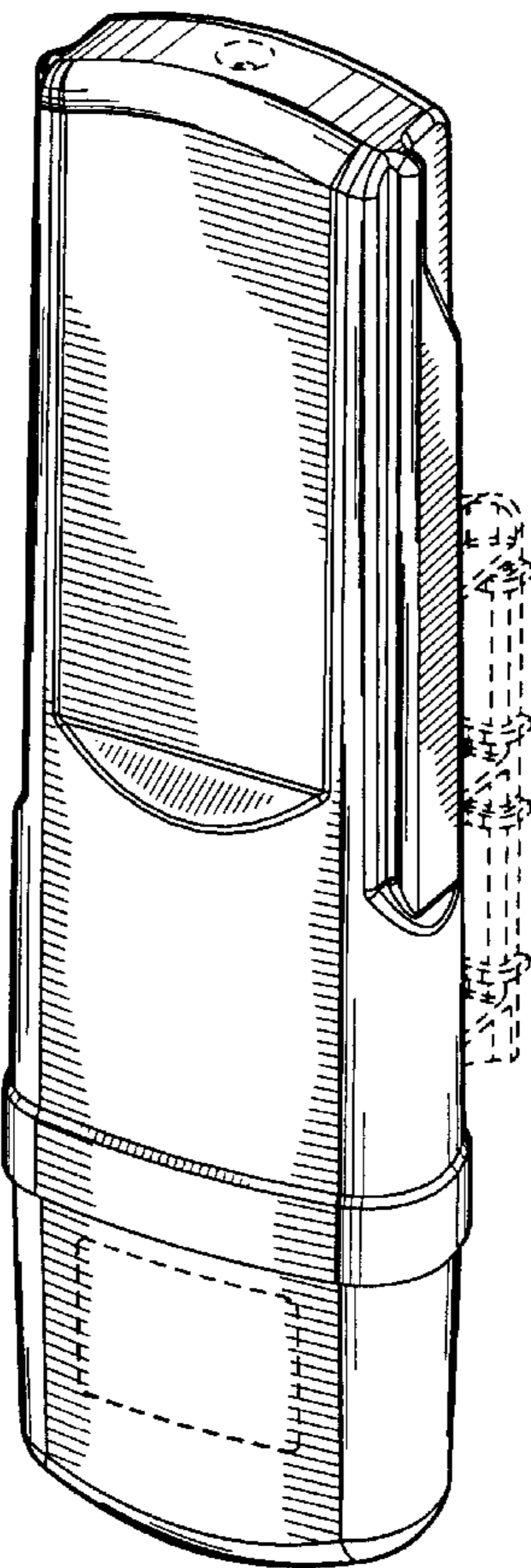
The broken lines appearing in FIG. 1 through FIG. 7 are for illustrative purposes only and form no part of the claimed design.

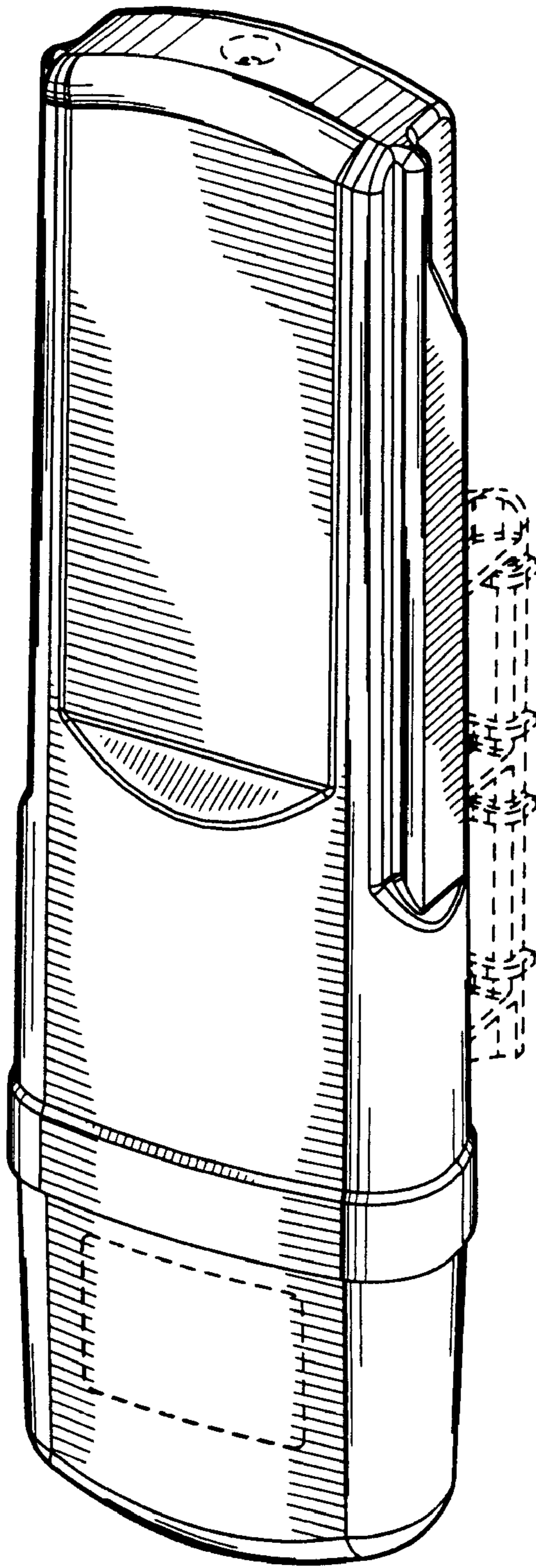
(56) **References Cited**

**U.S. PATENT DOCUMENTS**

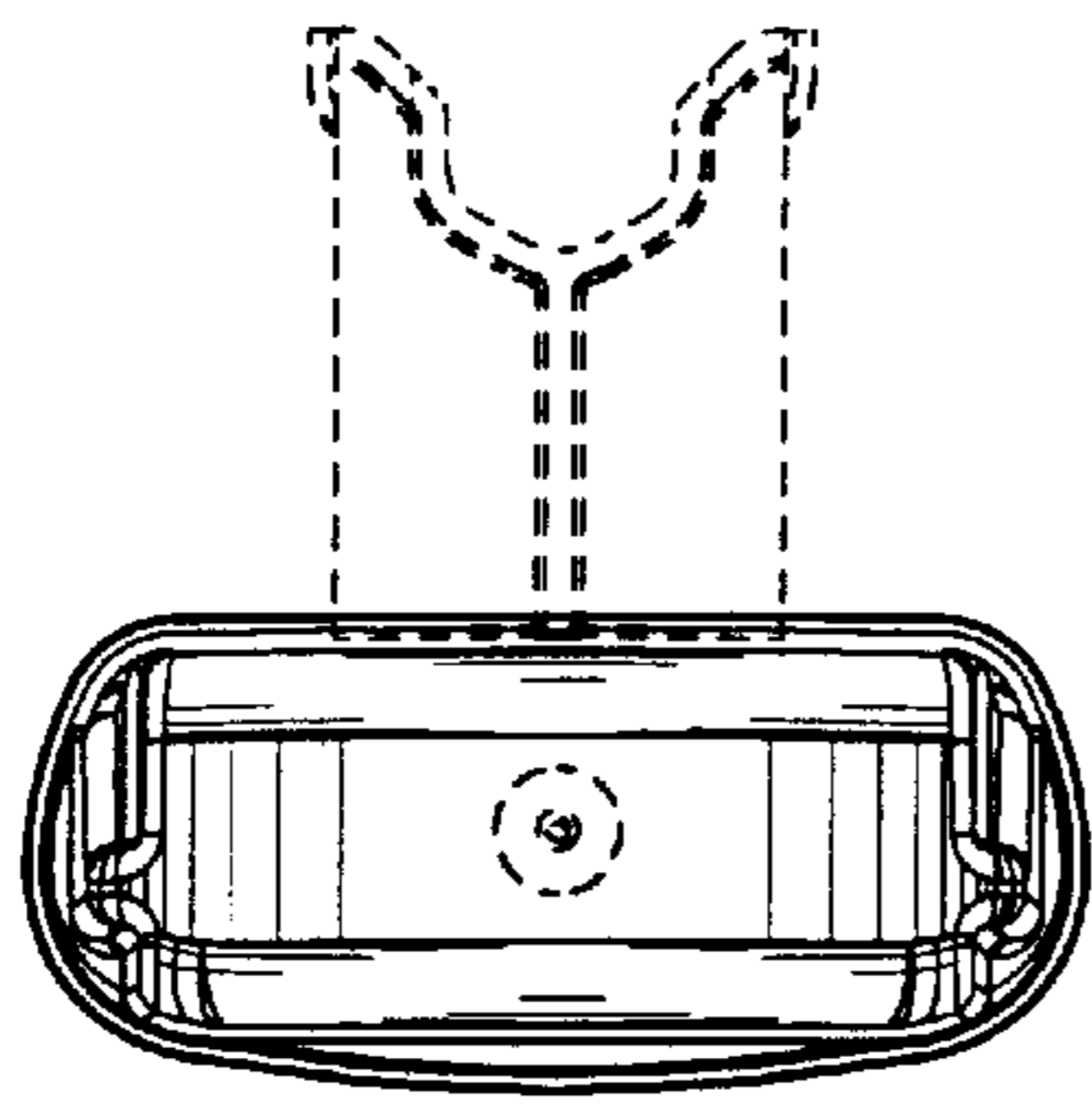
D352,040 S \* 11/1994 Rak et al. .... D14/240  
D390,554 S \* 2/1998 Larson et al. .... D14/137  
D391,968 S \* 3/1998 Shiozaki ..... D14/240

**1 Claim, 3 Drawing Sheets**

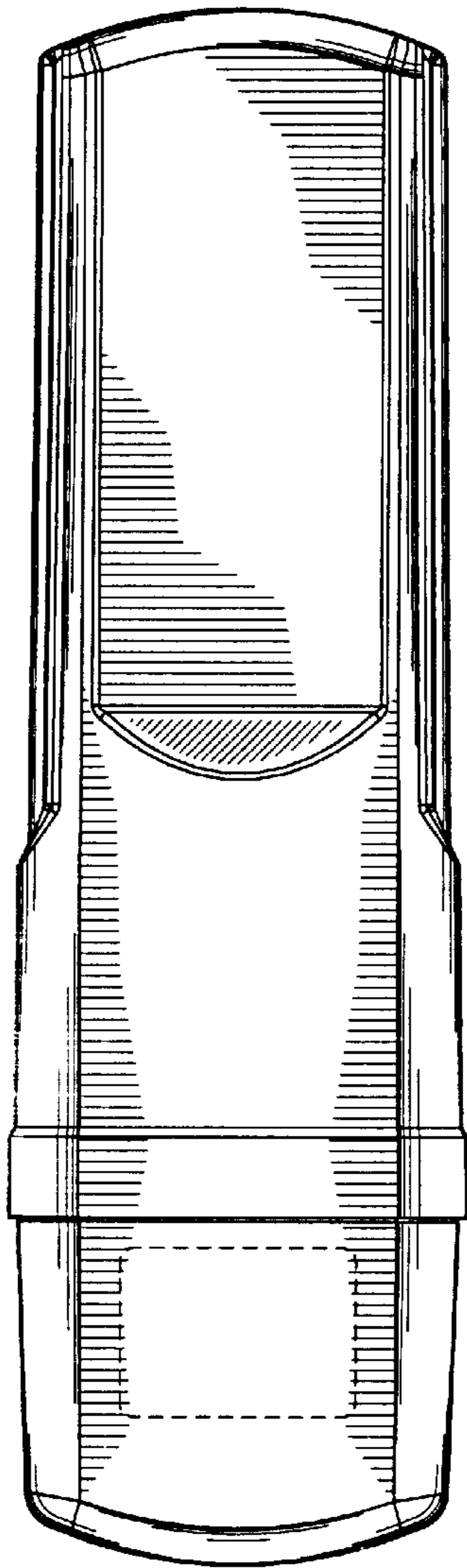




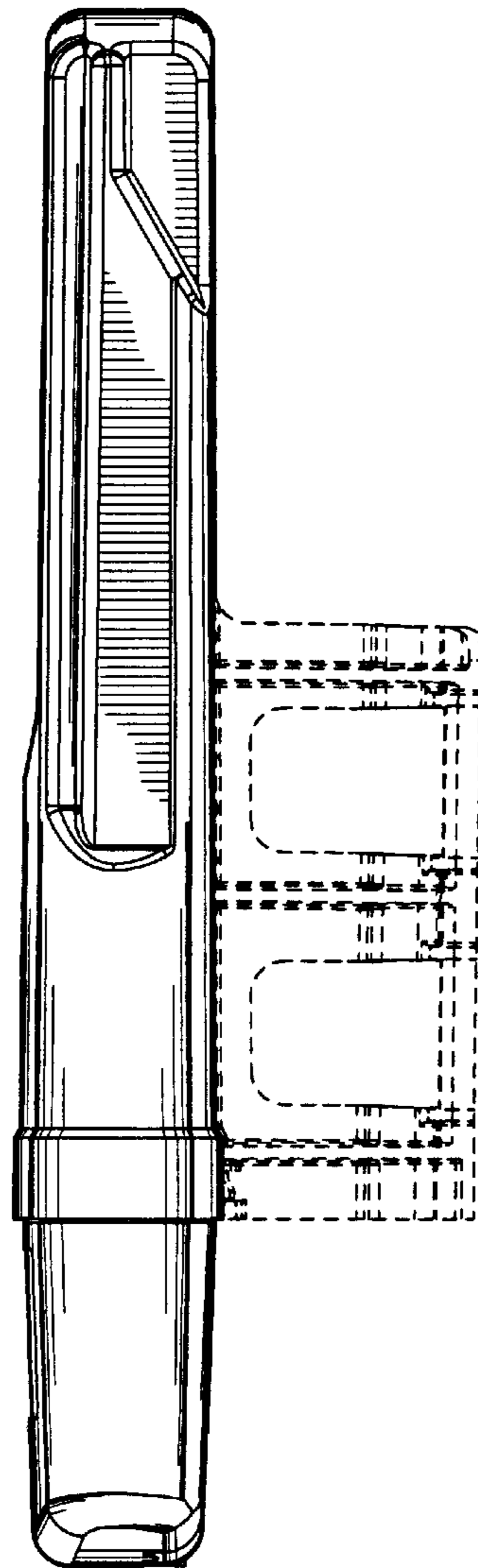
***FIG. 1***



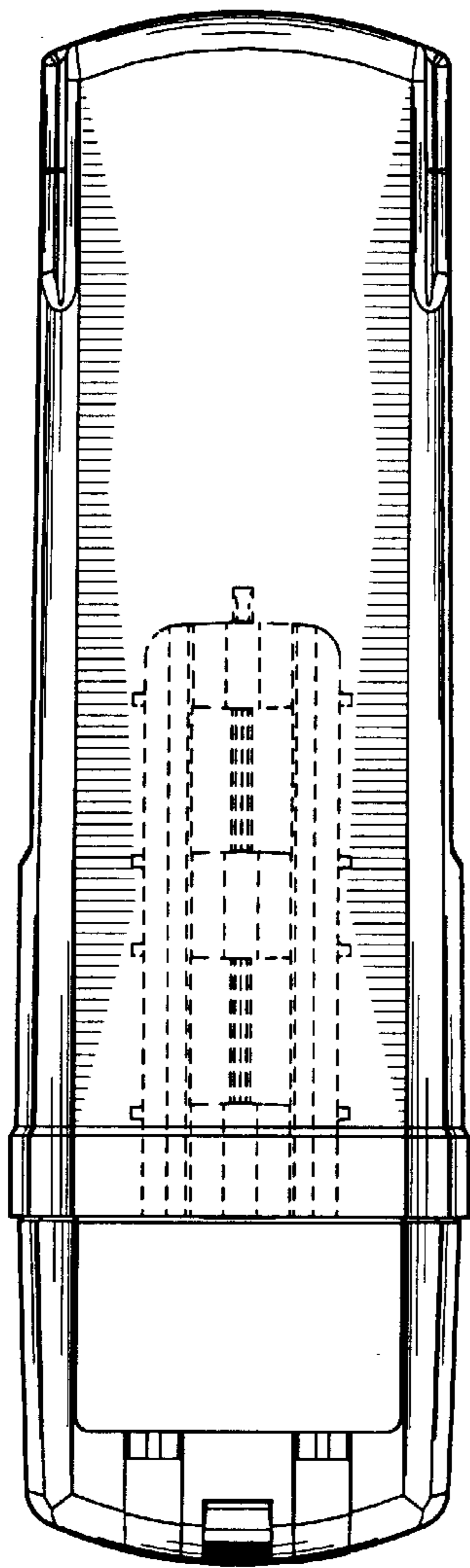
*FIG. 2*



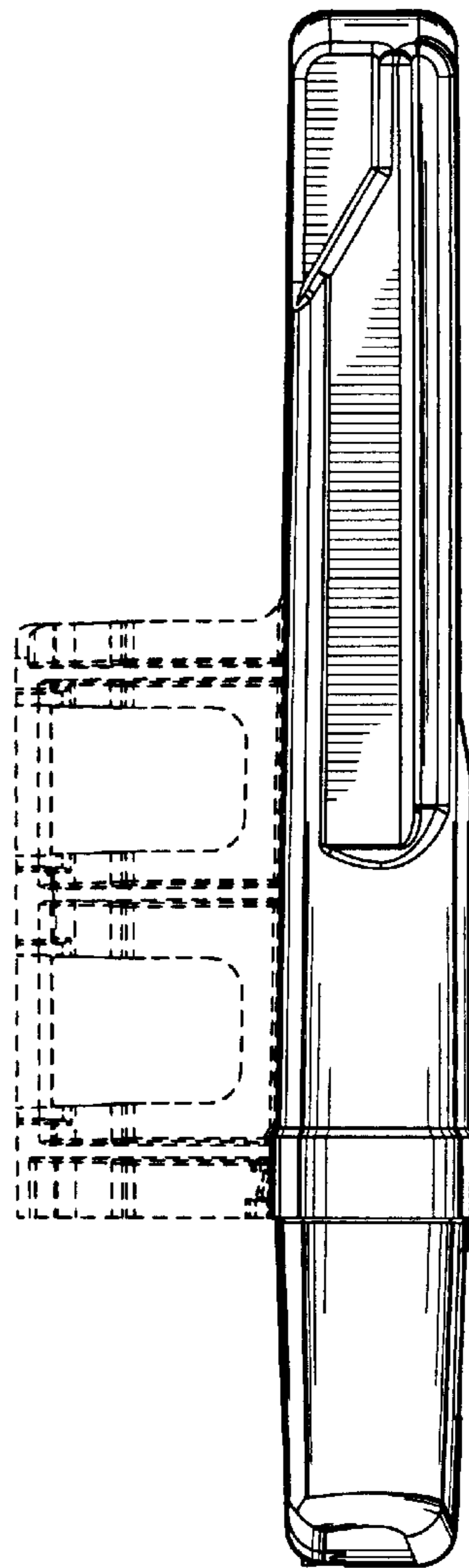
*FIG. 3*



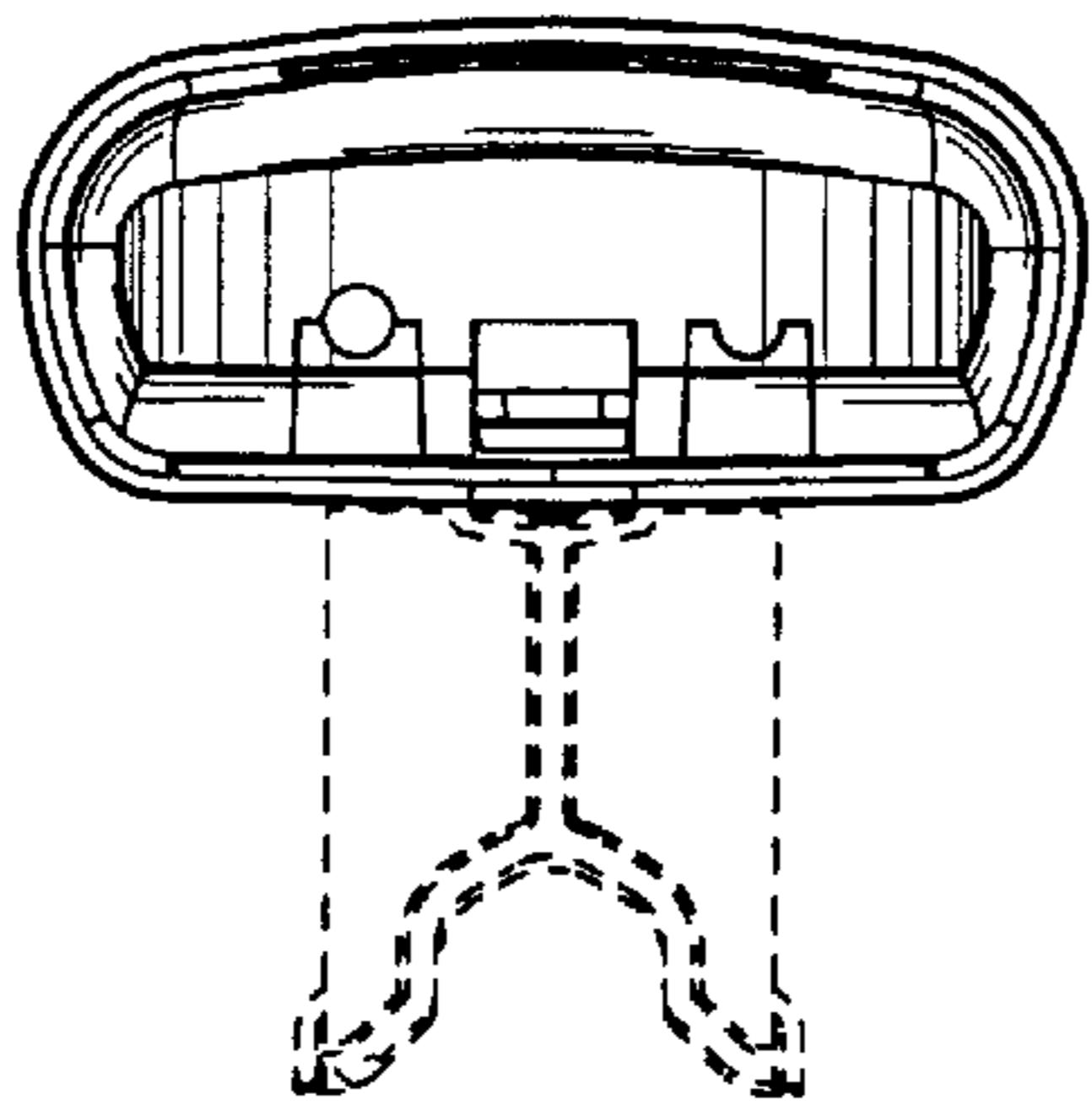
*FIG. 4*



*FIG. 5*



*FIG. 6*



*FIG. 7*