



US00D480387S

(12) **United States Design Patent**
Burns

(10) **Patent No.:** **US D480,387 S**

(45) **Date of Patent:** **** Oct. 7, 2003**

(54) **YAGI ANTENNA**

(75) **Inventor:** **Jim Burns**, Chicago, IL (US)

(73) **Assignee:** **Gemini Industries, Inc.**, Clifton, NJ (US)

(**) **Term:** **14 Years**

(21) **Appl. No.:** **29/149,255**

(22) **Filed:** **Oct. 5, 2001**

(51) **LOC (7) Cl.** **14-03**

(52) **U.S. Cl.** **D14/230**

(58) **Field of Search** D14/230-238,
D14/299; 343/807-809, 815-818, 838,
840, 702, 912, 781 R; 455/90, 128, 347,
562

(56) **References Cited**

U.S. PATENT DOCUMENTS

| | | | | | | |
|-----------|---|---|---------|------------------|-------|---------|
| 2,430,353 | A | * | 11/1947 | Masters | | 343/818 |
| 2,615,005 | A | * | 10/1952 | White | | 343/817 |
| D175,207 | S | * | 7/1955 | Ball et al. | | D14/231 |
| 2,714,659 | A | * | 8/1955 | Johnson et al. | | 343/912 |
| 2,875,087 | A | * | 2/1959 | Crandon | | 343/912 |
| D210,025 | S | * | 1/1968 | Kleinberg et al. | | D14/230 |
| 5,202,700 | A | * | 4/1993 | Miller | | 343/840 |

| | | | | | | |
|-----------|----|---|---------|-------------|-------|---------|
| D385,563 | S | * | 10/1997 | Podell | | D14/230 |
| 5,686,923 | A | * | 11/1997 | Schaller | | 343/840 |
| 6,373,436 | B1 | * | 4/2002 | Chen et al. | | 343/702 |

* cited by examiner

Primary Examiner—Louis S. Zarfes

Assistant Examiner—Deanne Levy

(74) *Attorney, Agent, or Firm*—Skadden, Arps, Slate, Meagher & Flom LLP

(57) **CLAIM**

The ornamental design for a yagi antenna, as shown and described.

DESCRIPTION

FIG. 1 is a perspective view of a yagi antenna having a reflector with integrated EMF shield;

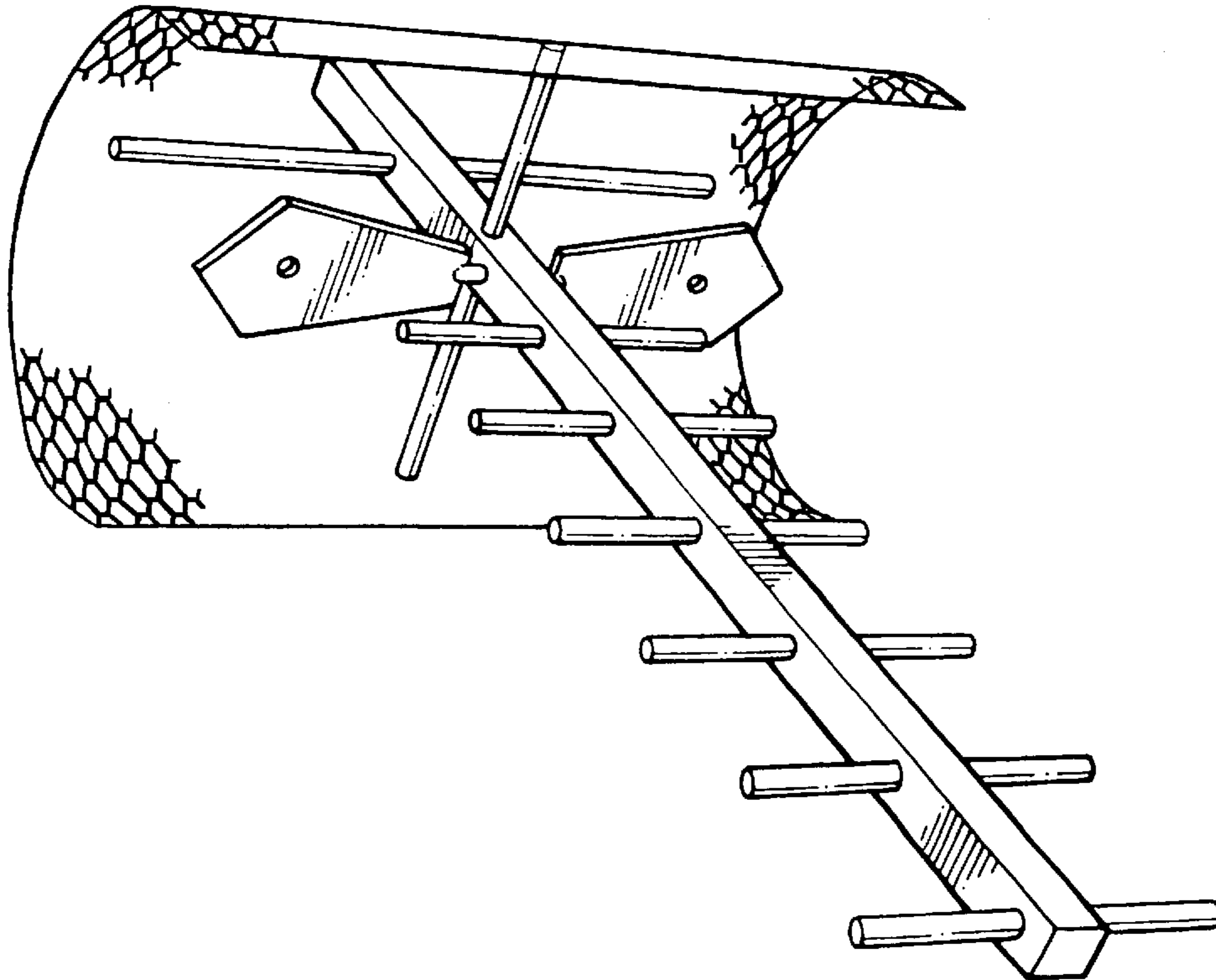
FIG. 2 is a front view of a yagi antenna having a reflector with integrated EMF shield;

FIG. 3 is a top view of a yagi antenna having a reflector with integrated EMF shield; and,

FIG. 4 is a side view of a yagi antenna having a reflector with integrated EMF shield.

The pattern of hexagonal openings, which is fragmentarily shown in FIGS. 1, 2, and 3; is understood to be repeated uniformly throughout the surface shown.

1 Claim, 4 Drawing Sheets



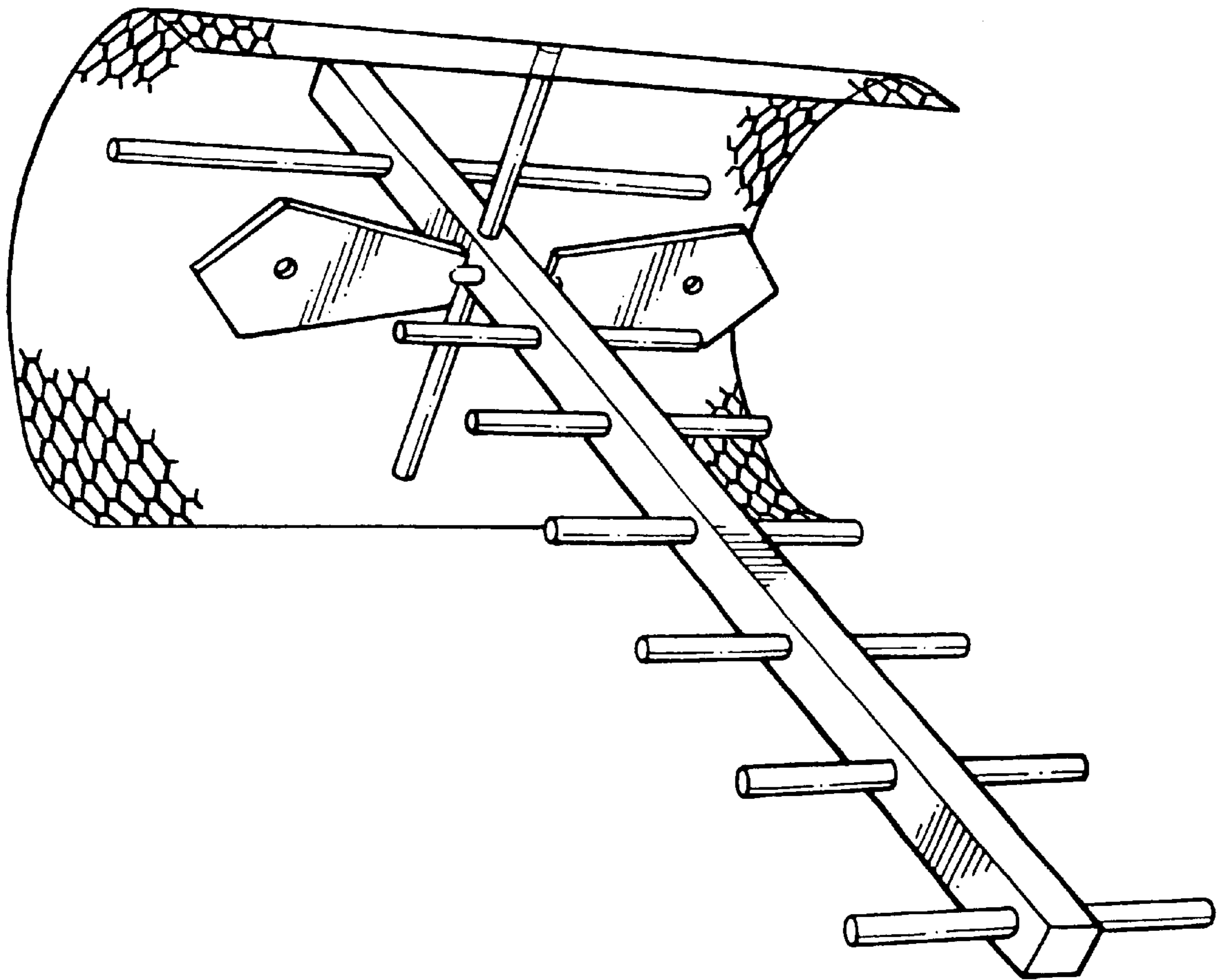


FIG. 1

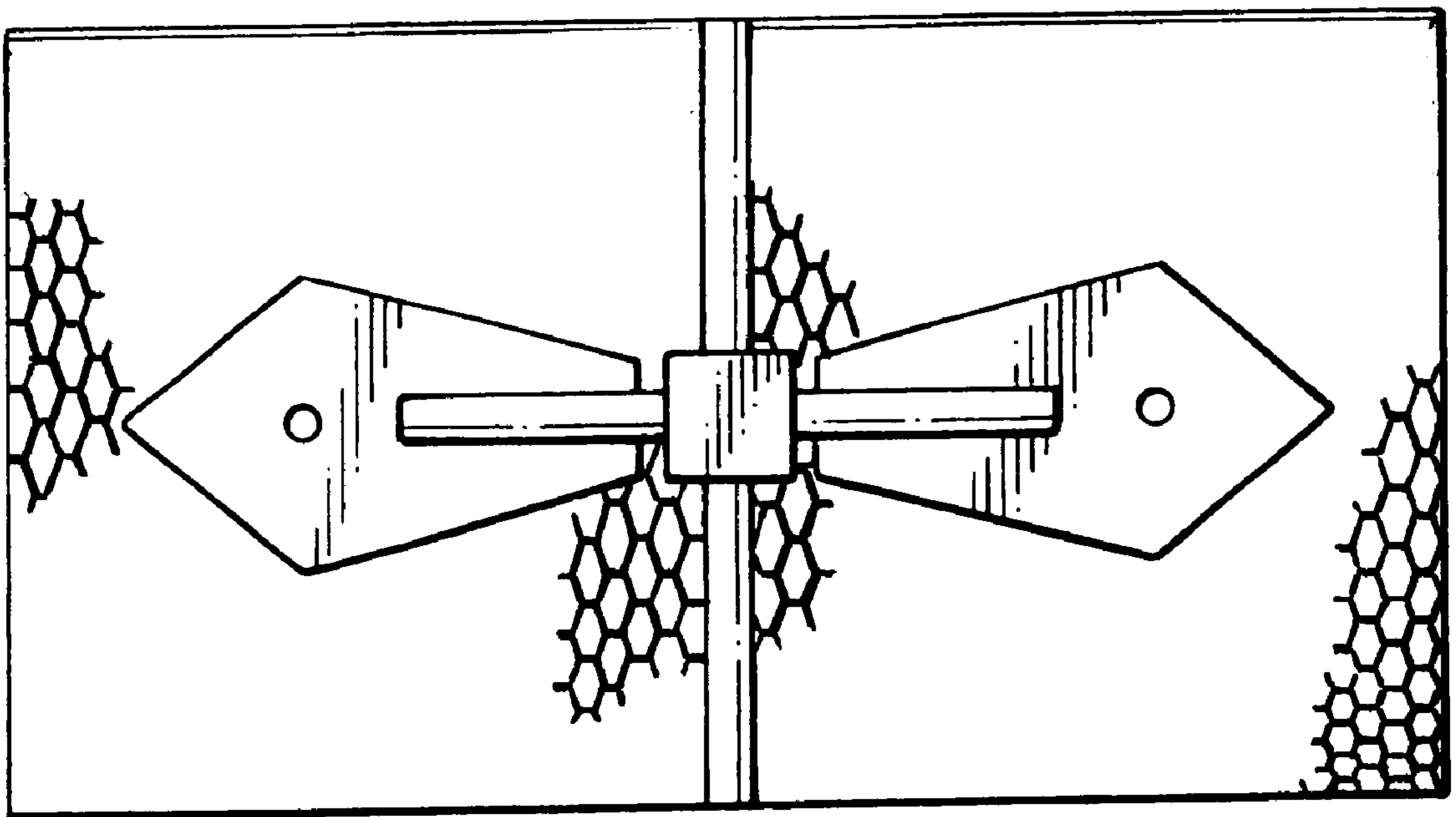


FIG. 2

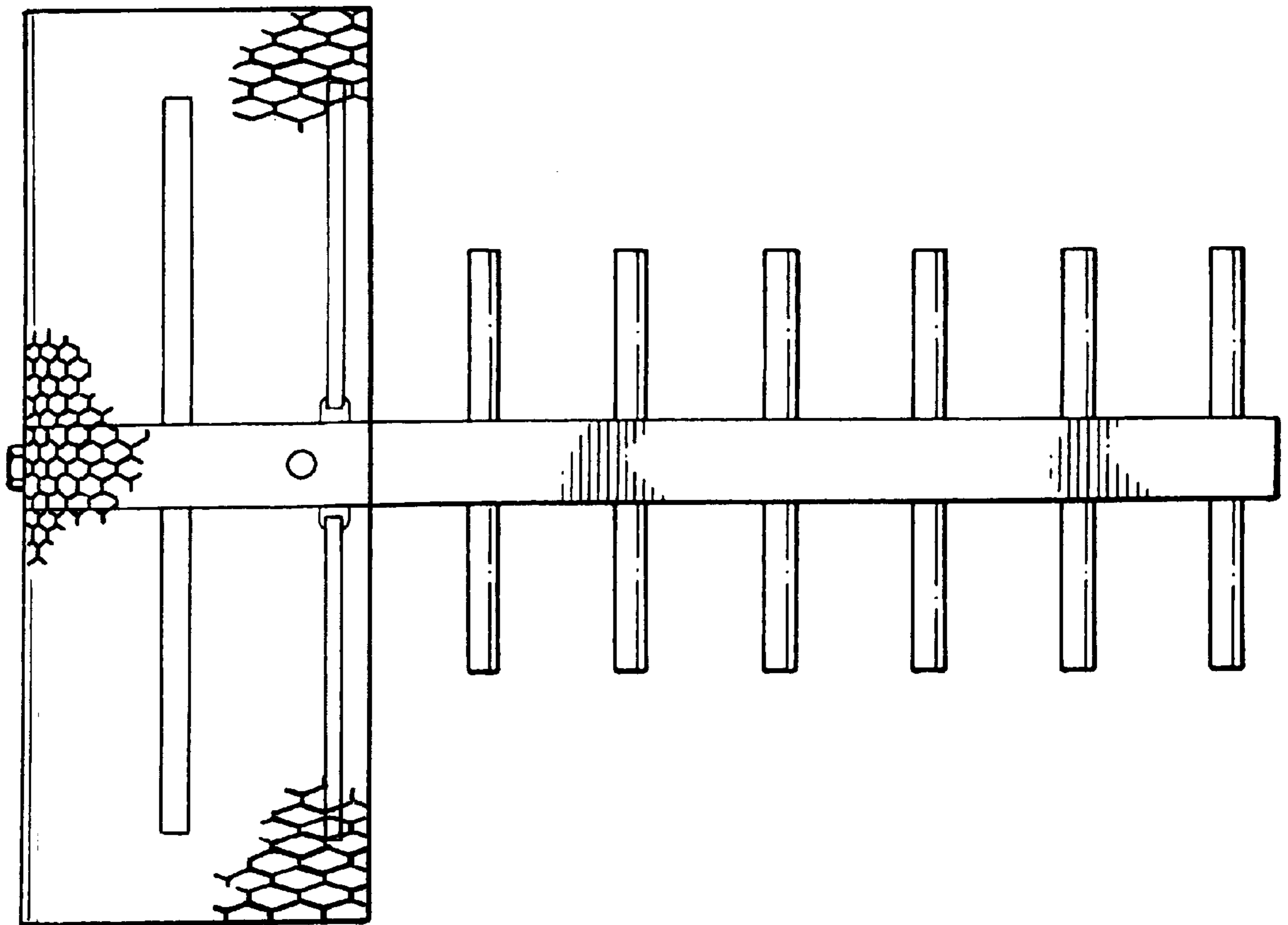


FIG. 3

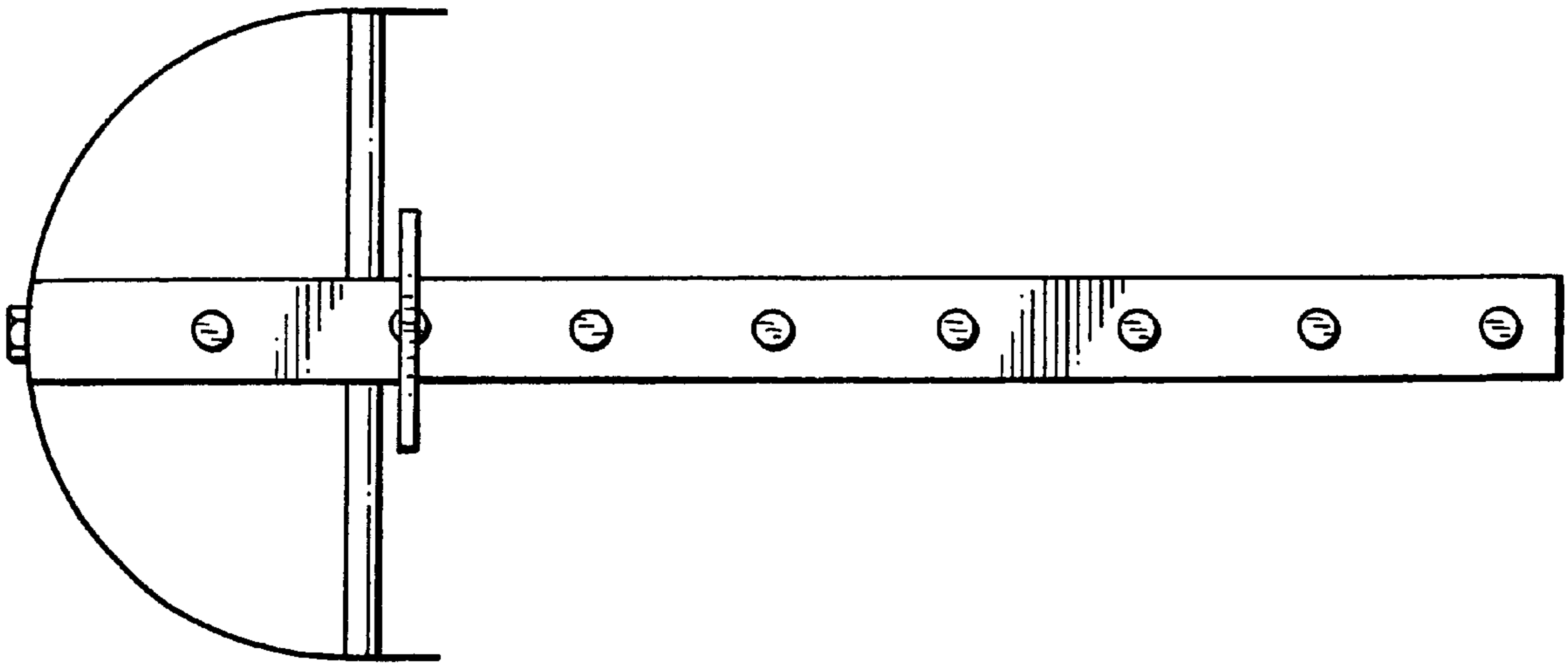


FIG. 4