



US00D480381S

(12) **United States Design Patent**
Harris et al.

(10) **Patent No.:** **US D480,381 S**

(45) **Date of Patent:** **** Oct. 7, 2003**

(54) **SHOWER RADIO**

(75) Inventors: **David Harris**, Nashua, NH (US); **Rudy Woodard**, Nashua, NH (US); **Steve Schwartz**, Nashua, NH (US); **Tim Trzepacz**, Nashua, NH (US)

(73) Assignee: **Brookstone Company, Inc.**, Nashua, NH (US)

(**) Term: **14 Years**

(21) Appl. No.: **29/166,916**

(22) Filed: **Sep. 5, 2002**

(51) **LOC (7) Cl.** **14-03**

(52) **U.S. Cl.** **D14/188**

(58) **Field of Search** D14/188, 198,
D14/204, 216, 275, 195; 455/344, 347-351,
130

(56) **References Cited**

U.S. PATENT DOCUMENTS

- 4,676,619 A * 6/1987 Wolley 455/344
- D326,853 S * 6/1992 Ogasawara D14/188
- D348,883 S * 7/1994 Peersmann D14/188
- D352,714 S * 11/1994 Ichikawa et al. D14/188

- D372,475 S * 8/1996 Shudo D14/188
- D381,983 S * 8/1997 Nagal D14/168
- D395,885 S * 7/1998 Hough et al. D14/188
- 5,883,859 A * 3/1999 Bentley 455/344
- 6,049,290 A * 4/2000 Halstead 455/344
- D453,924 S * 2/2002 Chen D14/188

* cited by examiner

Primary Examiner—Prabhakar Deshmukh

(74) *Attorney, Agent, or Firm*—Hayes Soloway P.C.

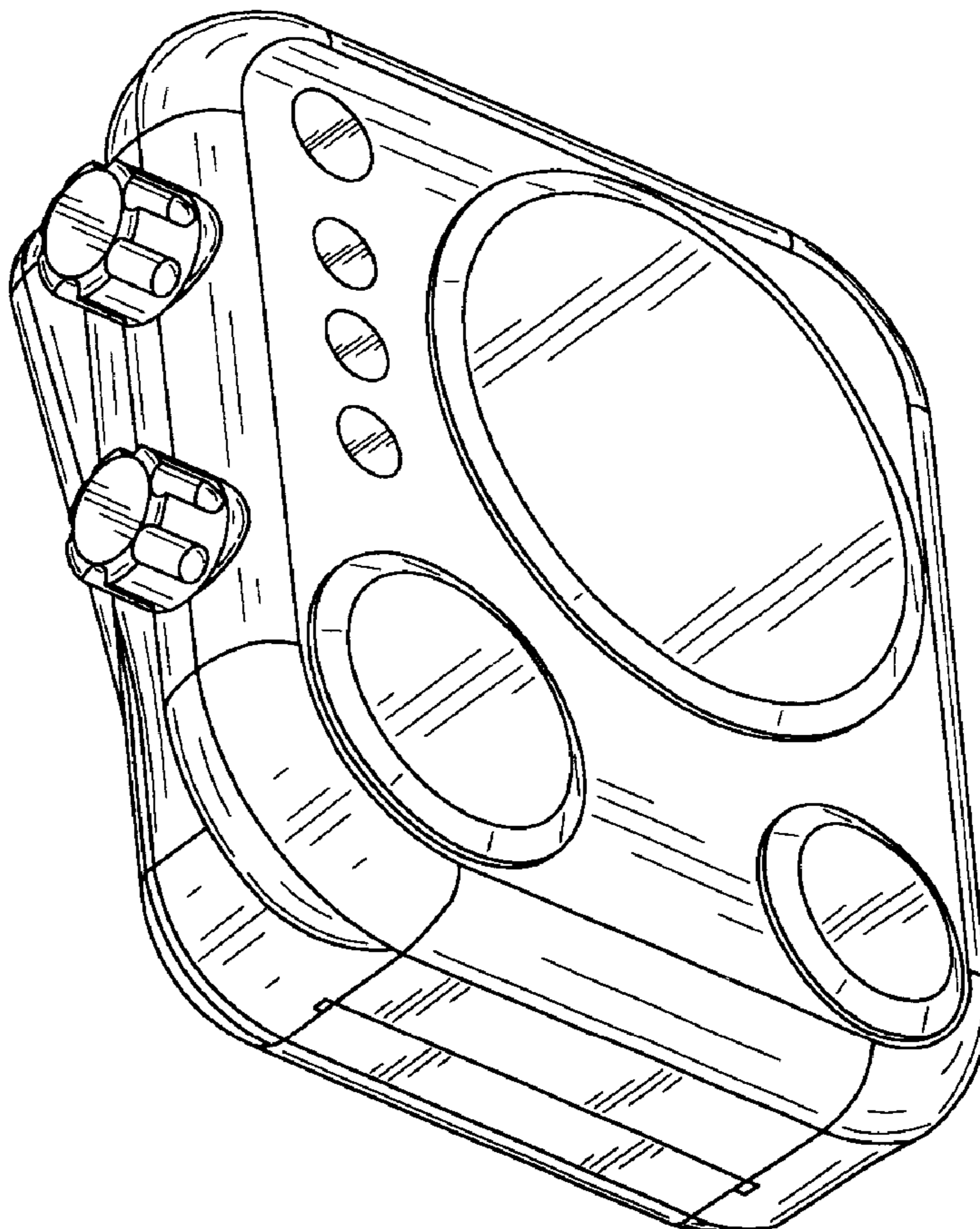
(57) **CLAIM**

The ornamental design for a shower radio, as shown and described.

DESCRIPTION

FIG. 1 is a front perspective view of the shower radio, showing a preferred embodiment of our new design; FIG. 2 is a rear perspective view thereof; FIG. 3 is a front plan view thereof; FIG. 4 is a rear plan view thereof; FIG. 5 is a left-side elevational view thereof; FIG. 6 is a right-side elevational view thereof; FIG. 7 is a top end view thereof; and, FIG. 8 is a bottom end view thereof.

1 Claim, 4 Drawing Sheets



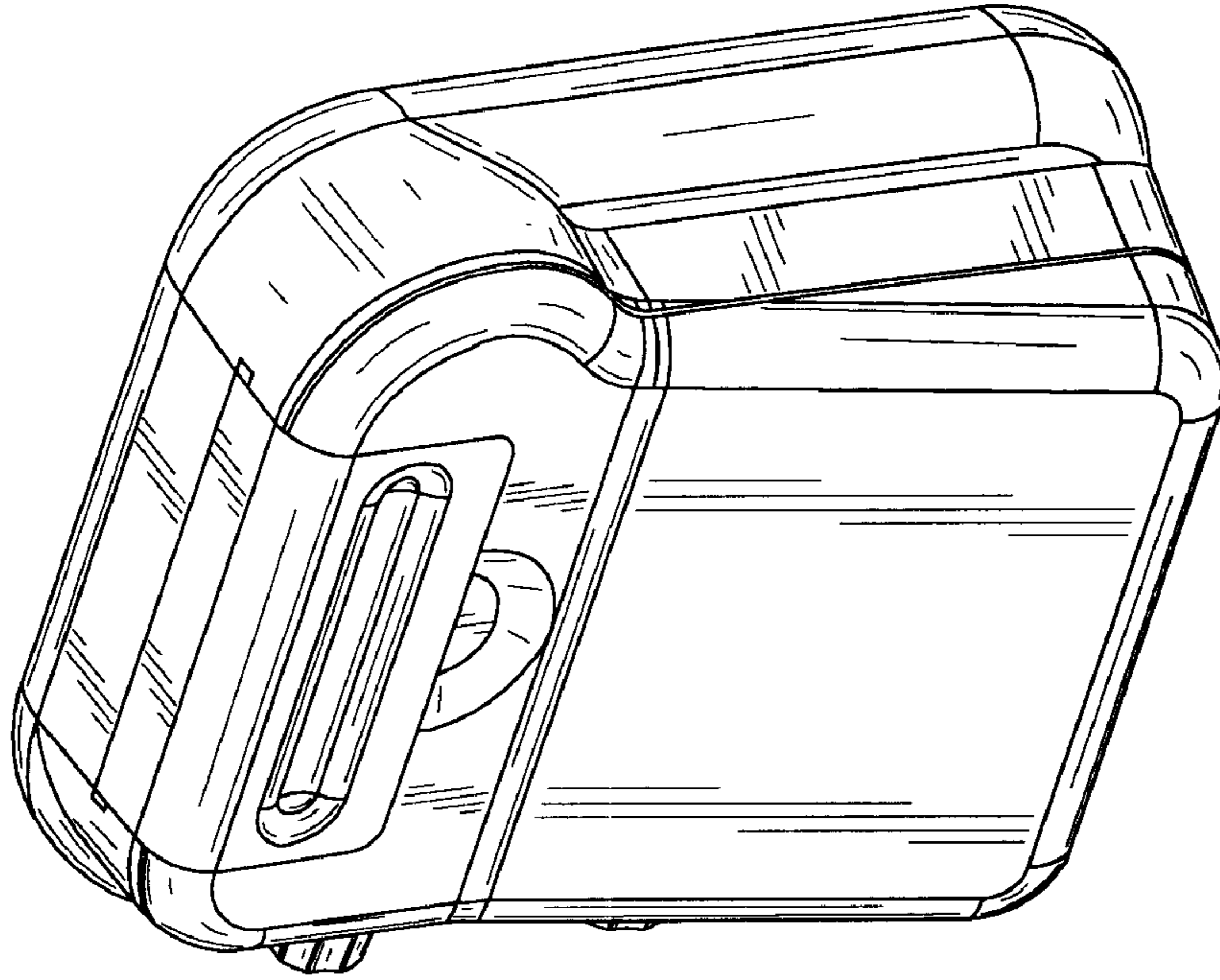


FIG. 2

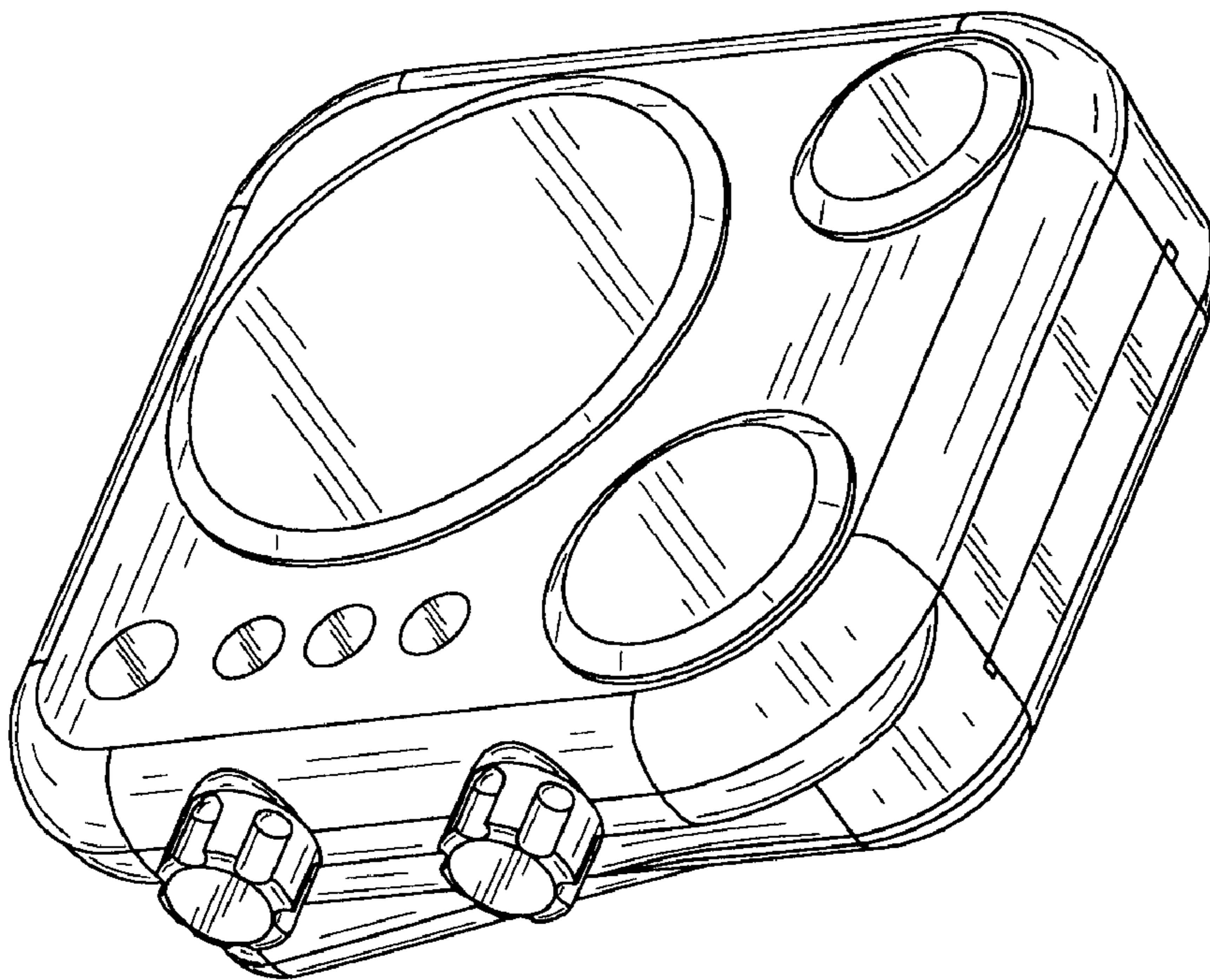


FIG. 1

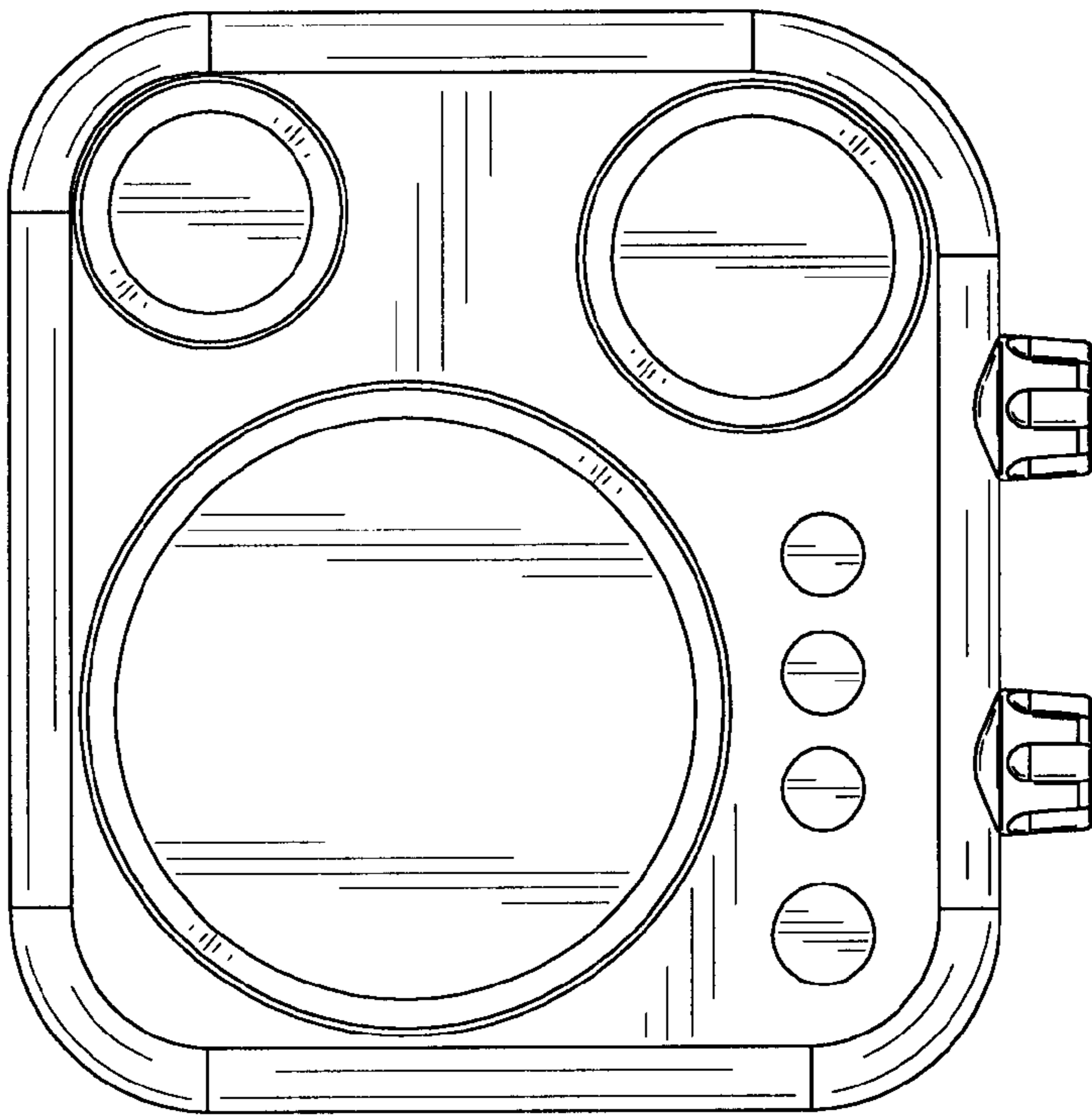


FIG. 3

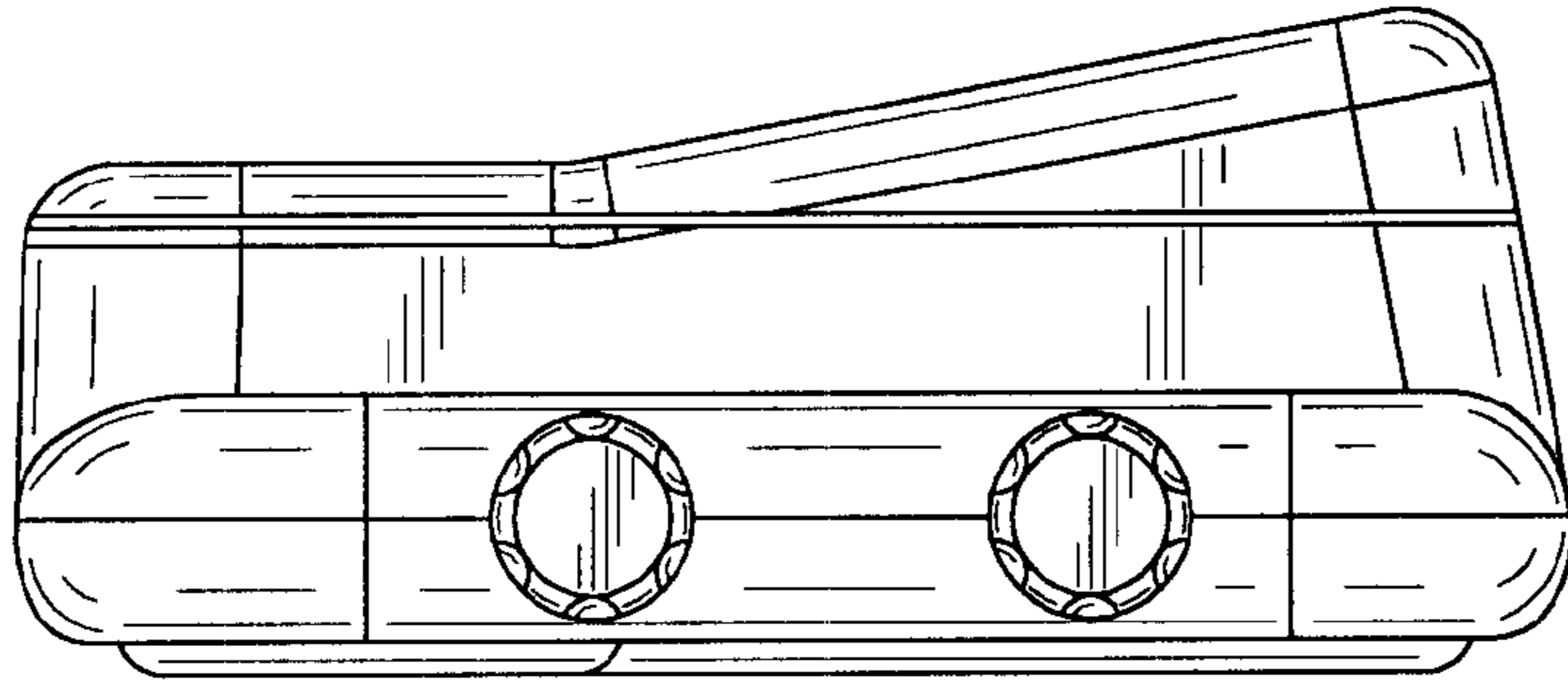


FIG. 6

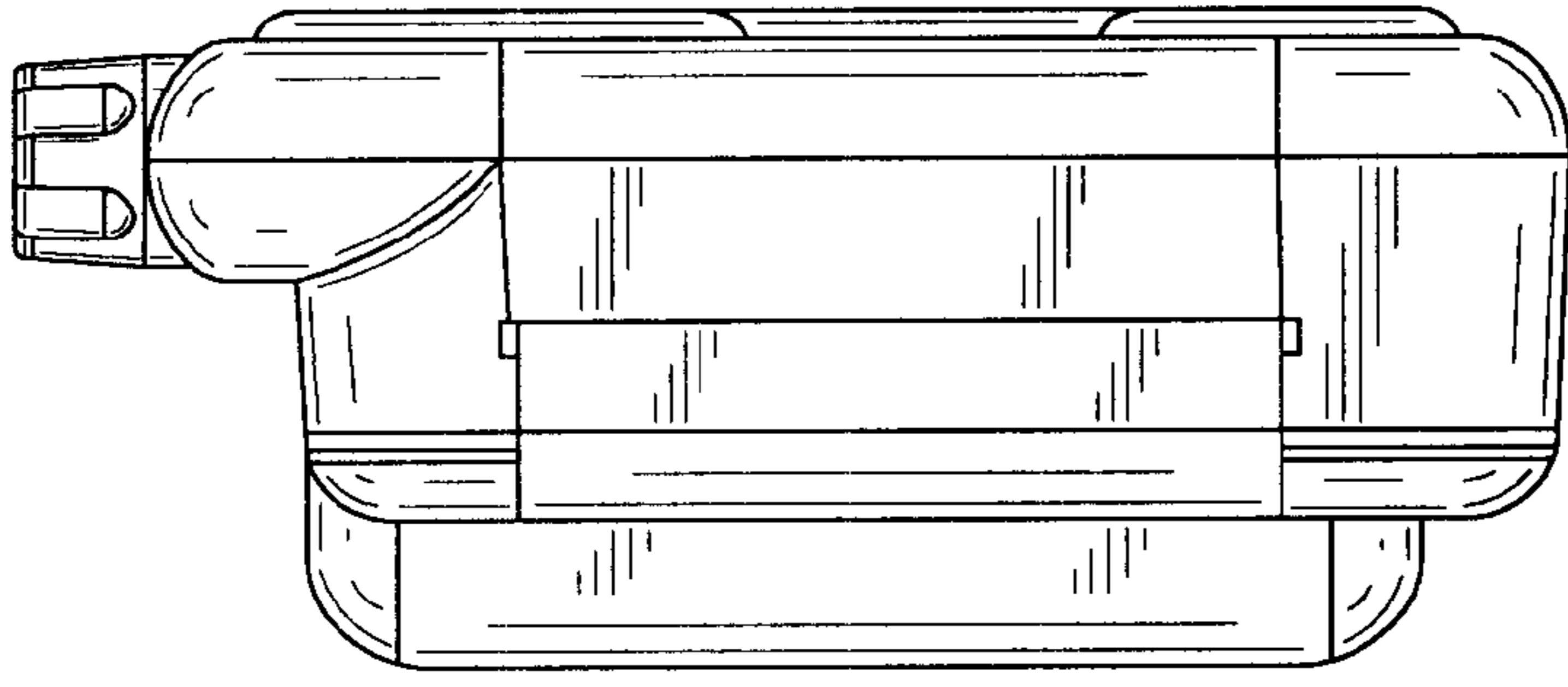


FIG. 7

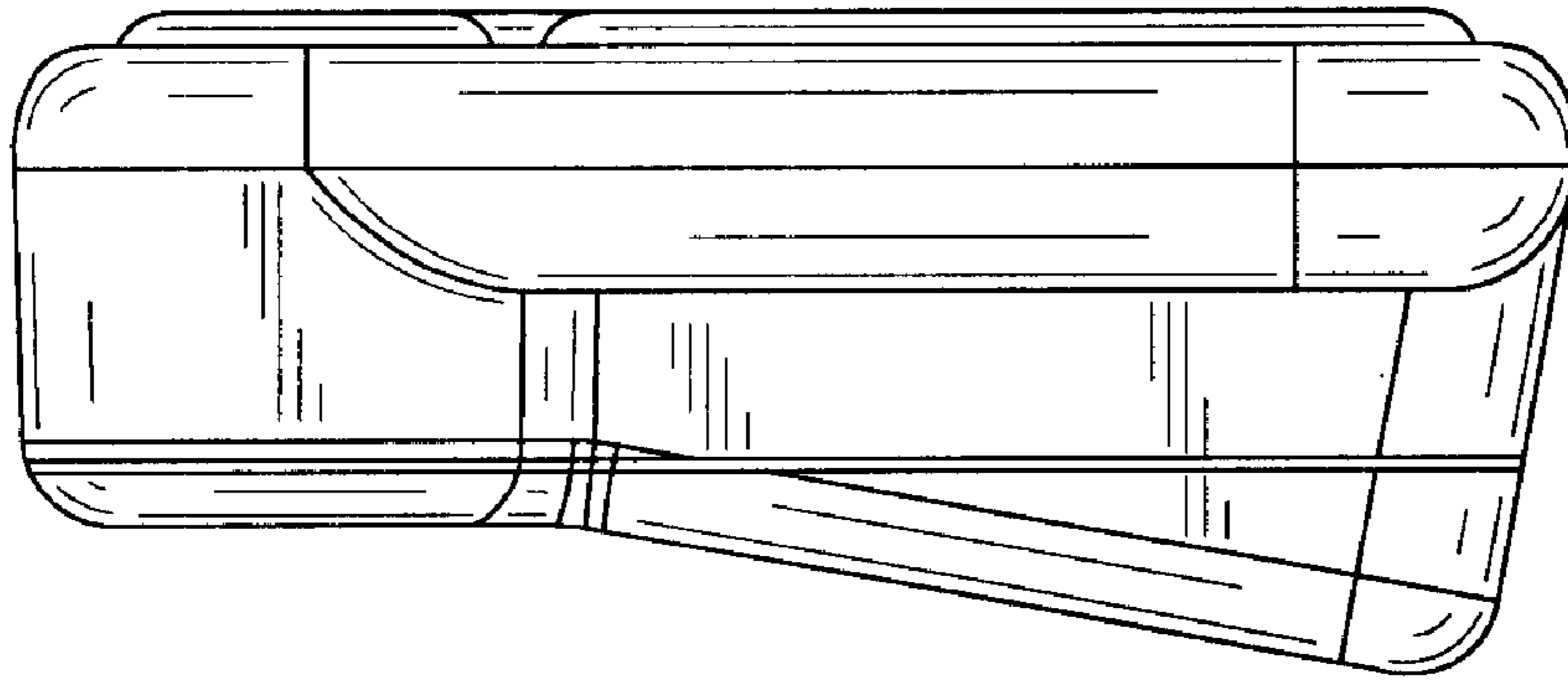


FIG. 5

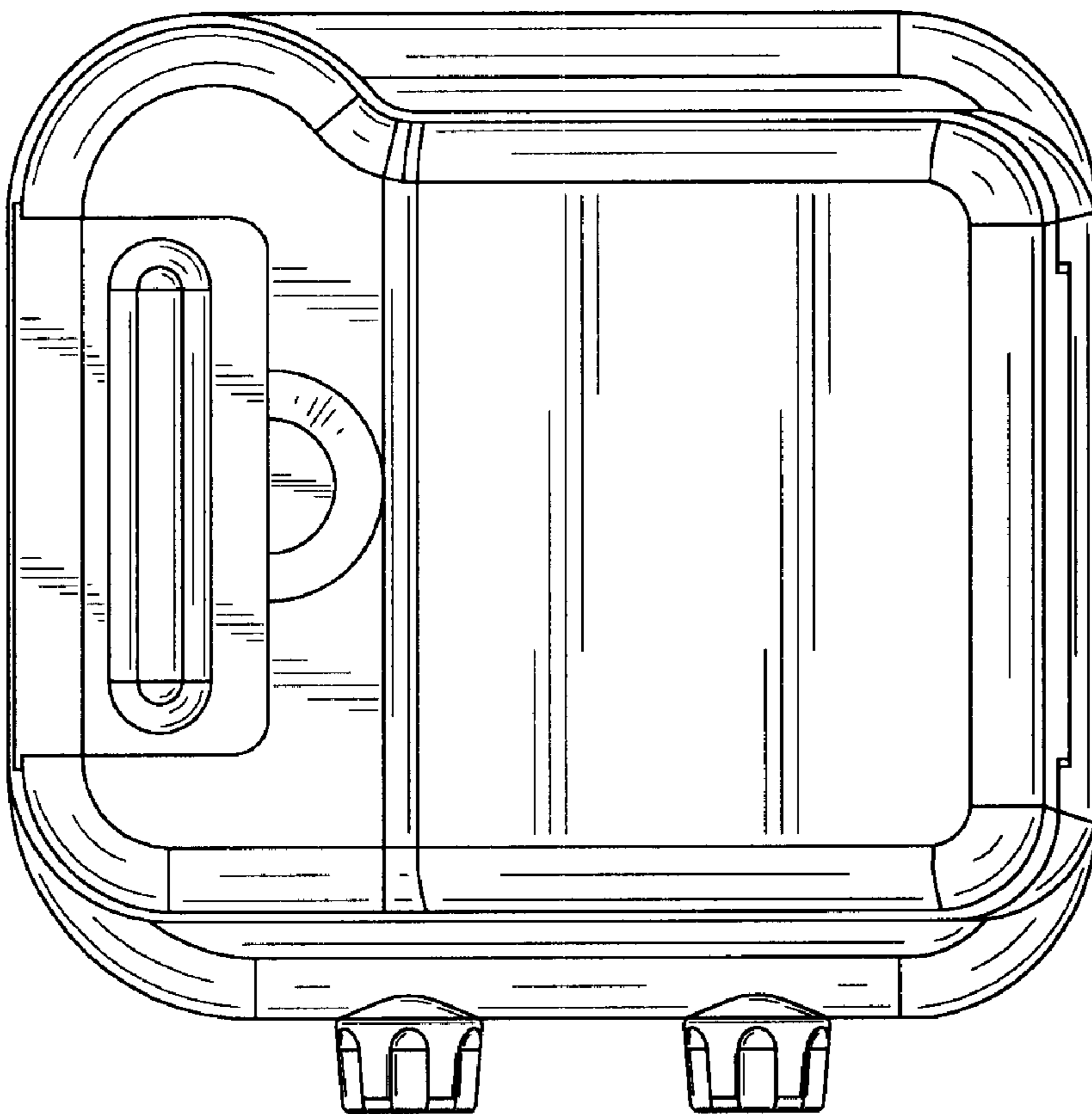


FIG. 4

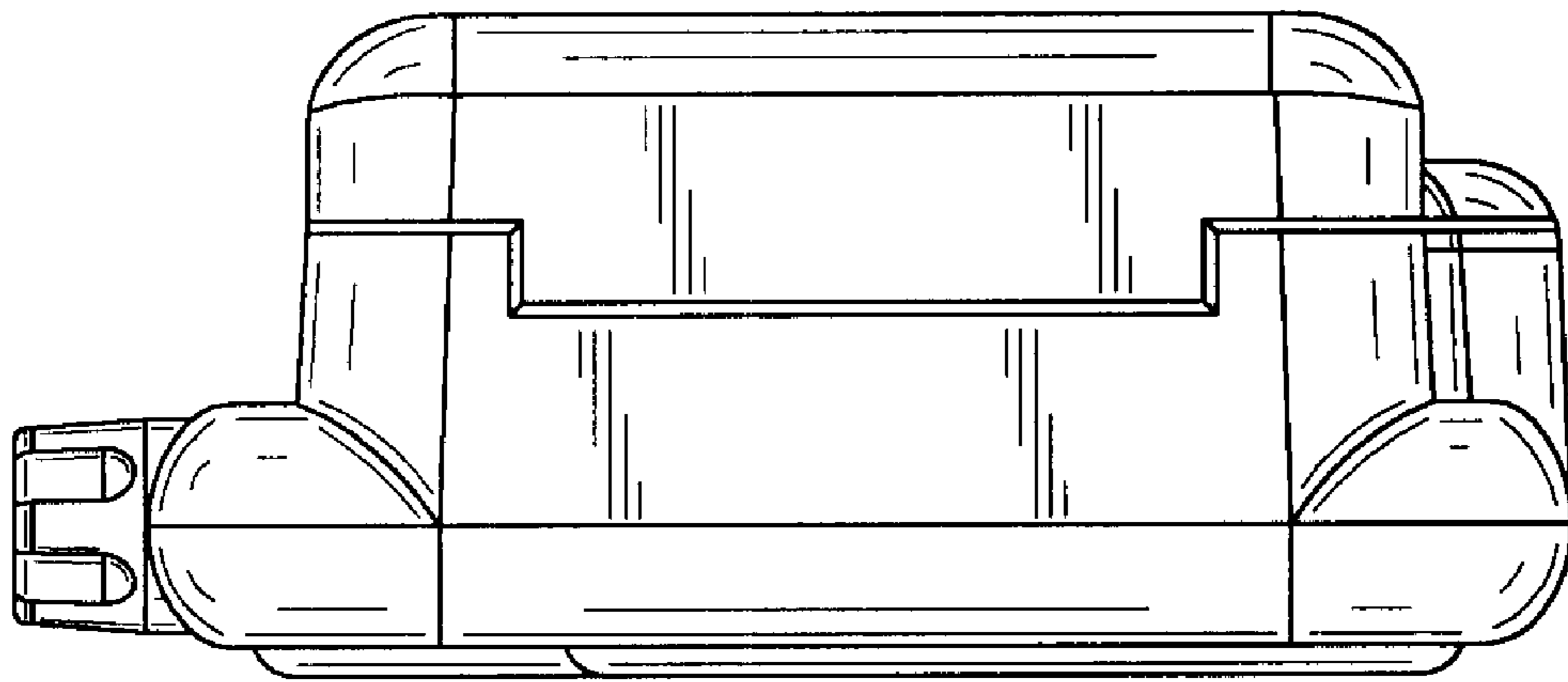


FIG. 8