



US00D480371S

(12) **United States Design Patent**
Sako et al.

(10) **Patent No.:** **US D480,371 S**

(45) **Date of Patent:** **** Oct. 7, 2003**

(54) **SEMICONDUCTOR DEVICE**

(75) Inventors: **Shigeki Sako**, Yokohama (JP);
Masahiro Ootomo, Kitakyushu (JP);
Kazuyoshi Fukuda, Kitakyushu (JP);
Takahiro Ide, Yokohama (JP)

(73) Assignee: **Kabushiki Kaisha Toshiba**, Tokyo (JP)

(**) Term: **14 Years**

(21) Appl. No.: **29/161,321**

(22) Filed: **May 29, 2002**

(30) **Foreign Application Priority Data**

Nov. 30, 2001 (JP) 2001-035198

(51) **LOC (7) Cl.** **13-03**

(52) **U.S. Cl.** **D13/182**

(58) **Field of Search** D13/182; 257/666,
257/674, 678, 690, 692, 693, 694, 697;
174/52.1, 52.2, 52.4; 361/600, 742, 744,
820

(56) **References Cited**

U.S. PATENT DOCUMENTS

D259,559	S	*	6/1981	Mochizuki et al.	D13/182
5,105,257	A	*	4/1992	Michii	257/692
5,309,018	A	*	5/1994	Shibata	257/666
5,585,670	A	*	12/1996	Isshiki et al.	257/691
5,925,927	A	*	7/1999	Orcutt	257/674
D416,872	S	*	11/1999	Burke	D13/182
6,020,625	A	*	2/2000	Qin et al.	257/666
6,093,957	A	*	7/2000	Kwon	257/666
6,177,718	B1	*	1/2001	Kozono	257/666
D473,199	S	*	4/2003	Sako et al.	D13/182

FOREIGN PATENT DOCUMENTS

JP 800572 11/1990
JP 1079850 7/2000

OTHER PUBLICATIONS

Extract of Denpa Shimbun (newspaper) showing a PAM built-in microcomputer (MB91110).

Extract of Denpa Shimbun (newspaper) showing a CCD signal processor (VSP2101).

Extract of Denpa Shimbun (newspaper) showing a AV decoder system LSI (MN677521) for a DVD player.

Extract of Denpa Shimbun (newspaper) showing a Scan USB (NET 1031).

TOSHIBA Catalog of micro controller (TMP86CM25F).

* cited by examiner

Primary Examiner—Ted Shooman

Assistant Examiner—Selina Sikder

(74) *Attorney, Agent, or Firm*—Oblon, Spivak, McClelland, Maier & Neustadt, P.C.

(57) **CLAIM**

The ornamental design for a semiconductor device, as shown and described.

DESCRIPTION

FIG. 1 is a front, bottom and right side perspective view of a semiconductor device, showing our new design;

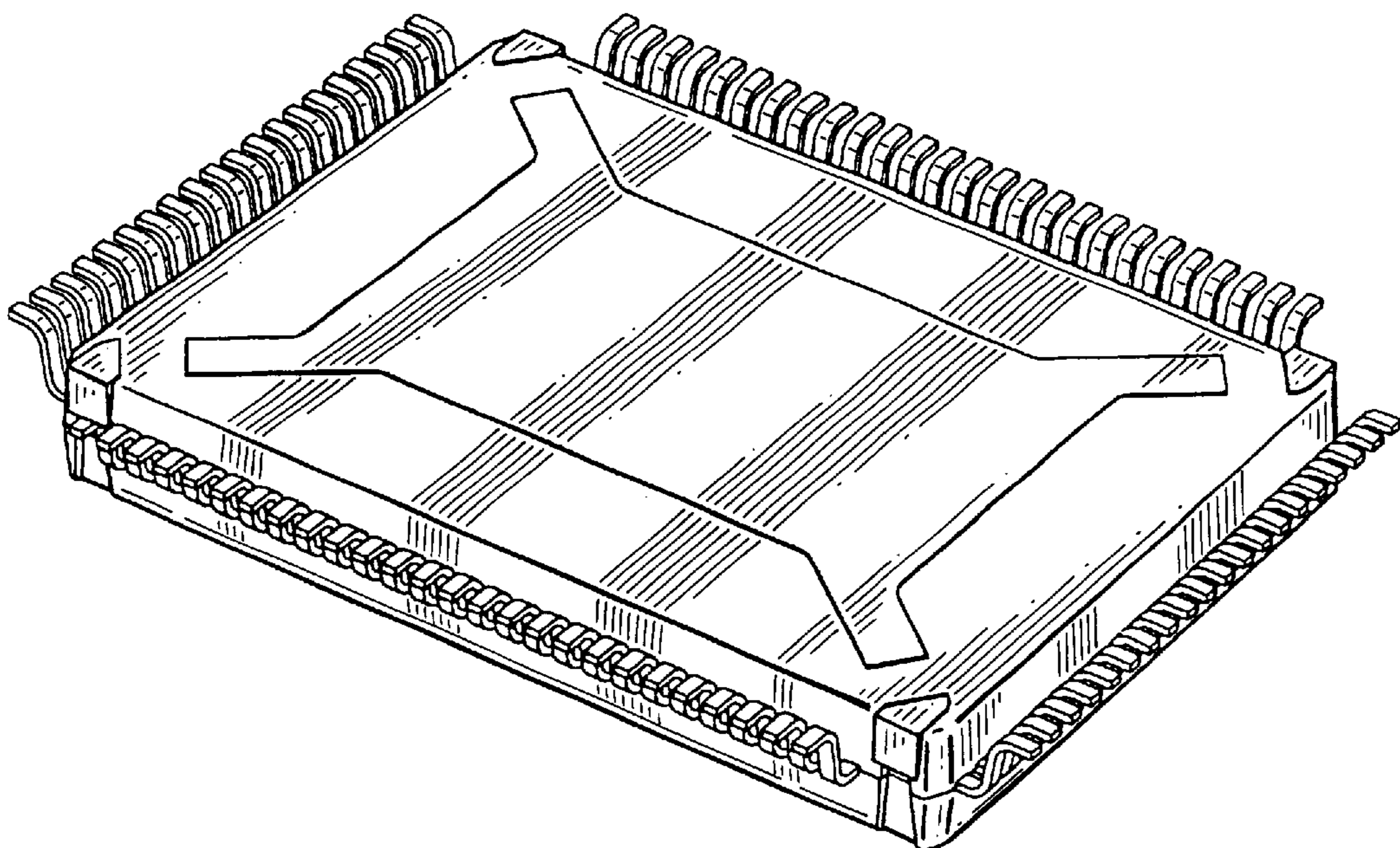
FIG. 2 is a front elevational view thereof;

FIG. 3 is top plan view thereof; a bottom plan view being a mirror image thereof;

FIG. 4 is a right side elevational view thereof; a left side elevational view being a mirror image thereof; and,

FIG. 5 is a rear elevational view thereof.

1 Claim, 2 Drawing Sheets



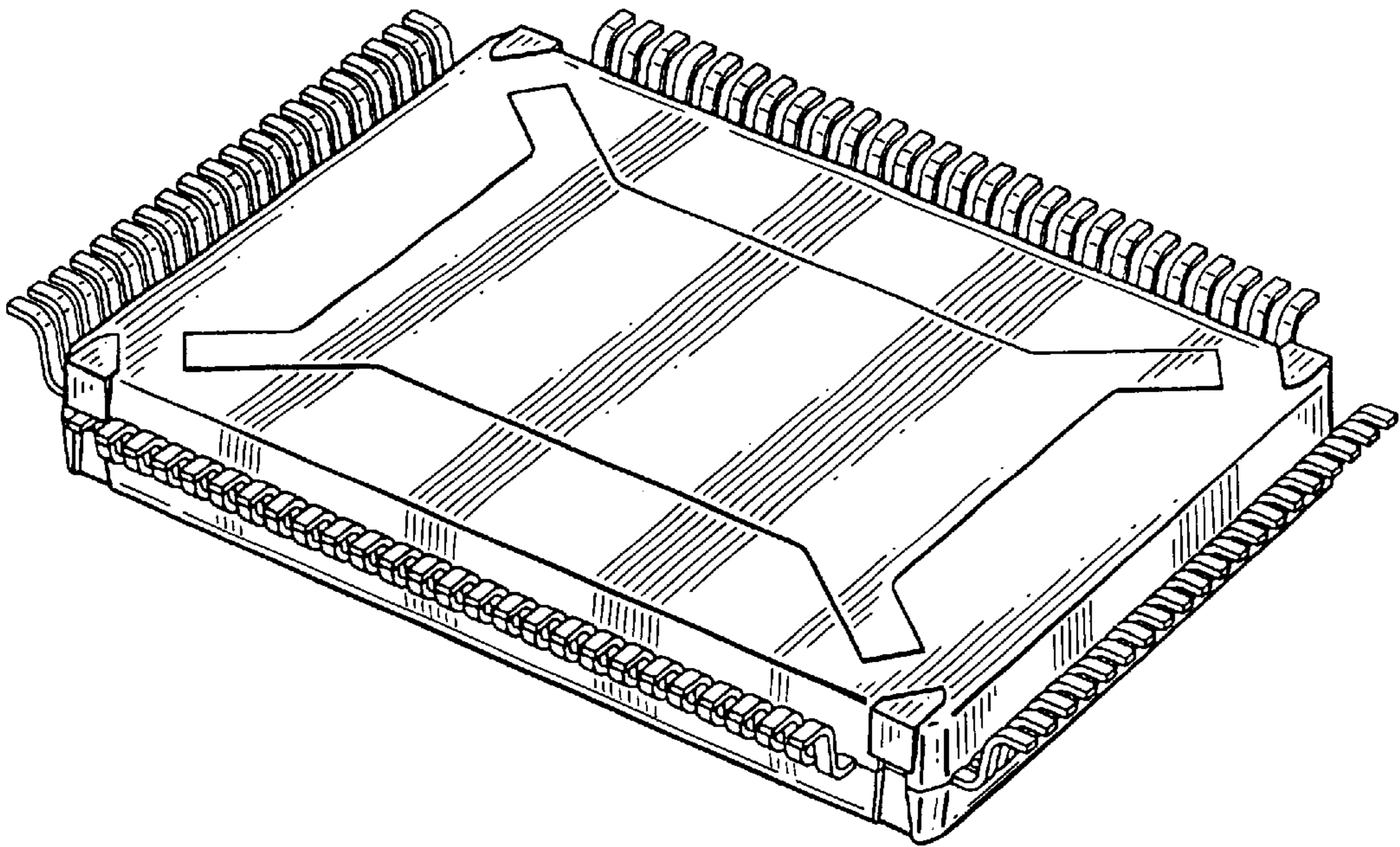


Fig. 1

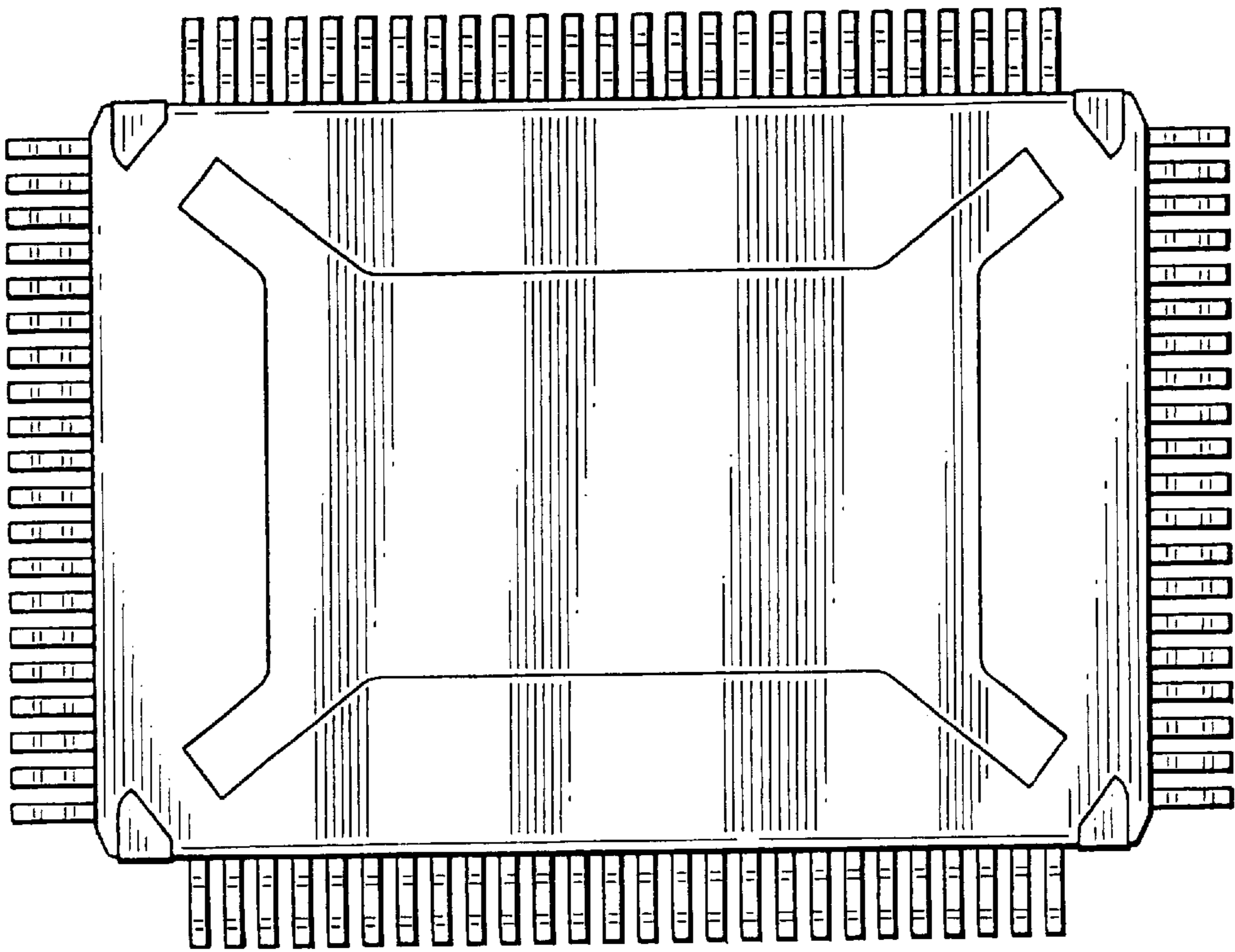


Fig. 2

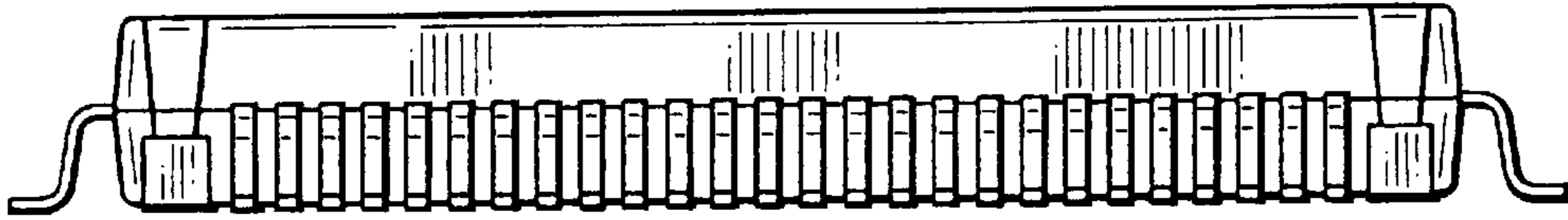


Fig. 3

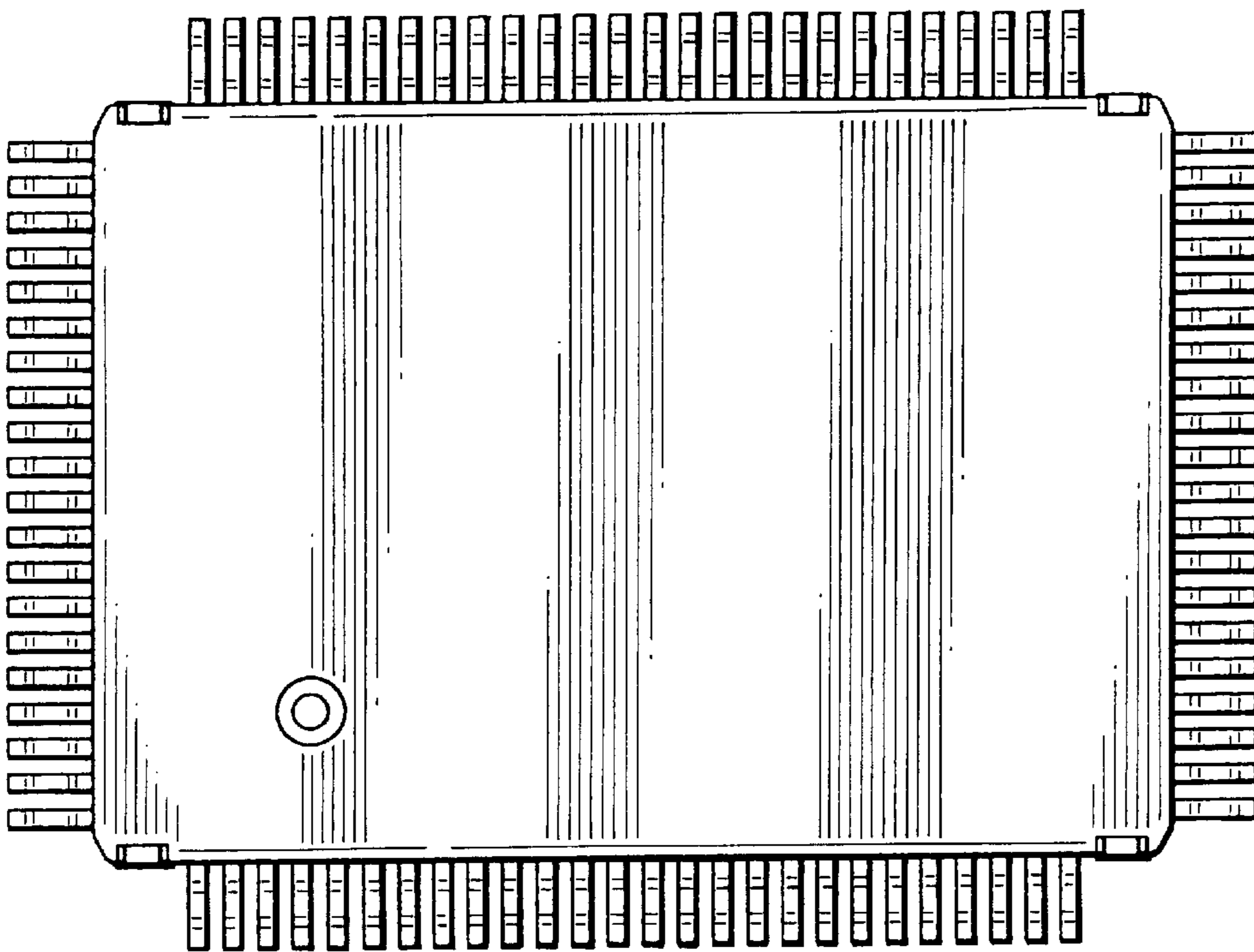


Fig. 5

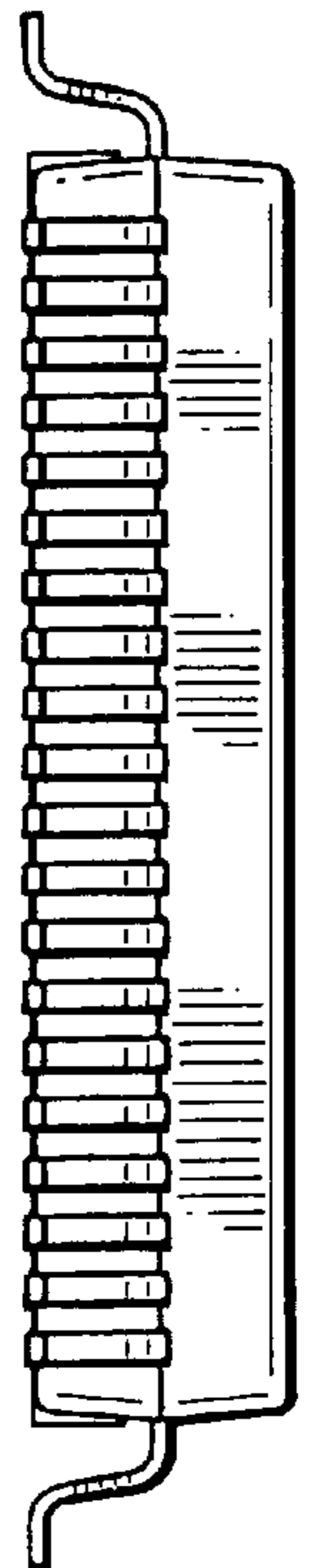


Fig. 4