



US00D480366S

(12) **United States Design Patent**
Alcantar et al.

(10) **Patent No.:** **US D480,366 S**

(45) **Date of Patent:** **** Oct. 7, 2003**

(54) **POWER SUPPLY MODULE**

6,078,501 A * 6/2000 Catrambone et al. 361/704
6,150,734 A * 11/2000 Neibecker et al. 307/10.1

(75) Inventors: **Raul Alcantar**, Plano, TX (US);
Gordon K. Y. Lee, Plano, TX (US);
Victor Ke-Ji Lee, Plano, TX (US);
Carl Milton Wildrick, Parker, TX (US)

* cited by examiner

Primary Examiner—Ted Shooman
Assistant Examiner—Selina Sikder

(73) Assignee: **Innoveta Technologies**, Plano, TX (US)

(74) *Attorney, Agent, or Firm*—David W. Carstens;
Carstens Yee & Cahoon LLP

(**) Term: **14 Years**

(57) **CLAIM**

(21) Appl. No.: **29/150,983**

The ornamental design for a power supply module, as shown.

(22) Filed: **Oct. 31, 2001**

DESCRIPTION

(51) **LOC (7) Cl.** **13-03**

(52) **U.S. Cl.** **D13/162**

(58) **Field of Search** D13/162; 307/10.1,
307/150; 331/67, 68; 361/681, 684, 690,
704, 716, 720, 749, 760; 455/325–355

FIG. 1 is a perspective view of the power supply module of the present invention;

FIG. 2 is a front view of the power supply module of the present invention;

FIG. 3 is a back view of the power supply module of the present invention;

FIG. 4 is a right side view of the power supply module of the present invention;

FIG. 5 is a left side view of the power supply module of the present invention; and,

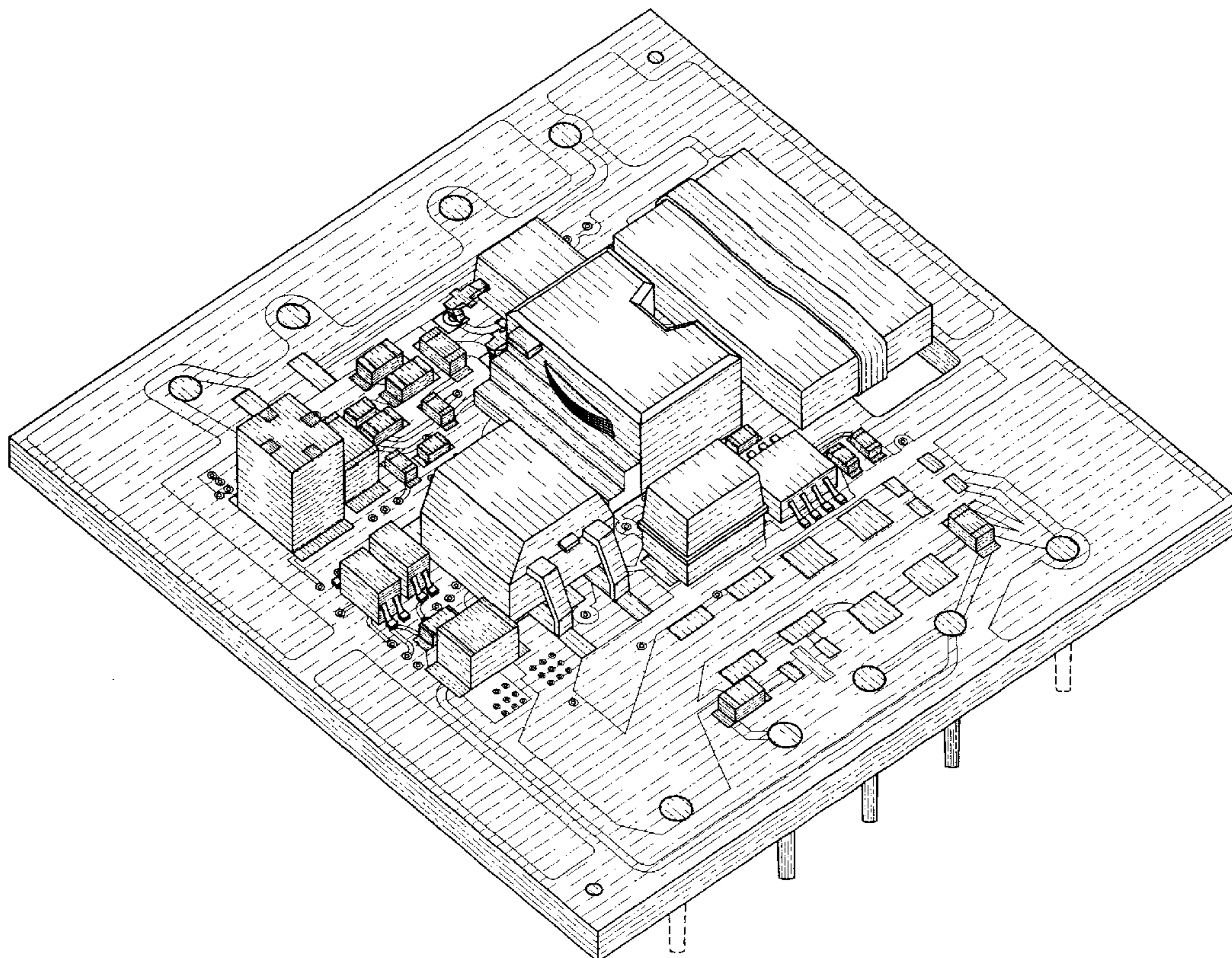
FIG. 6 is a top view of the power supply module of the present invention.

(56) **References Cited**

U.S. PATENT DOCUMENTS

4,316,235 A * 2/1982 Latasiewicz 361/681
4,811,165 A * 3/1989 Currier et al. 361/716
4,939,792 A * 7/1990 Urbish et al. 455/347
5,016,139 A * 5/1991 Stopa et al. 361/720
5,581,130 A * 12/1996 Boucheron 307/10.1
5,877,944 A * 3/1999 Onizuka 361/826
6,034,571 A * 3/2000 Uno 331/67

1 Claim, 3 Drawing Sheets



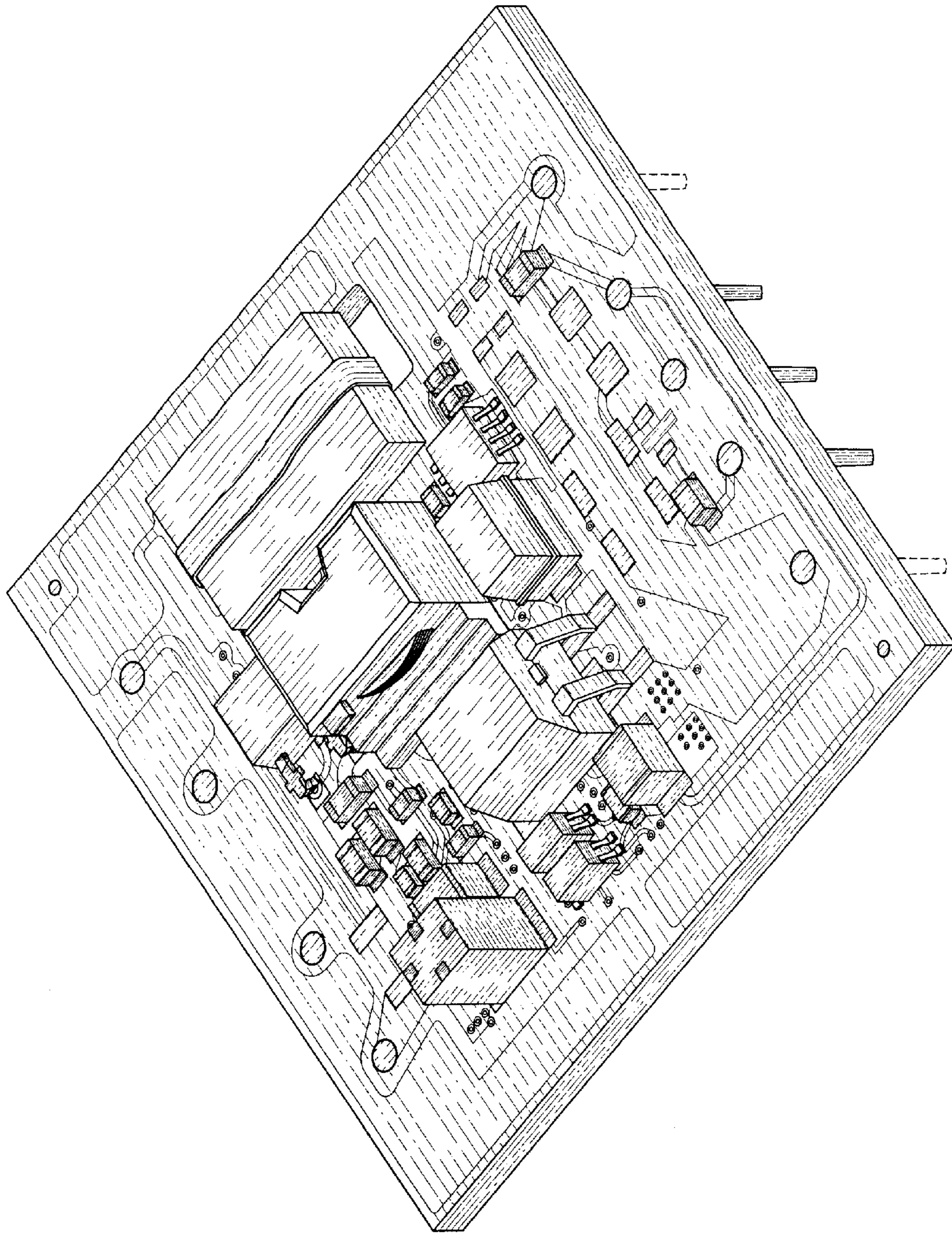


FIG. 1

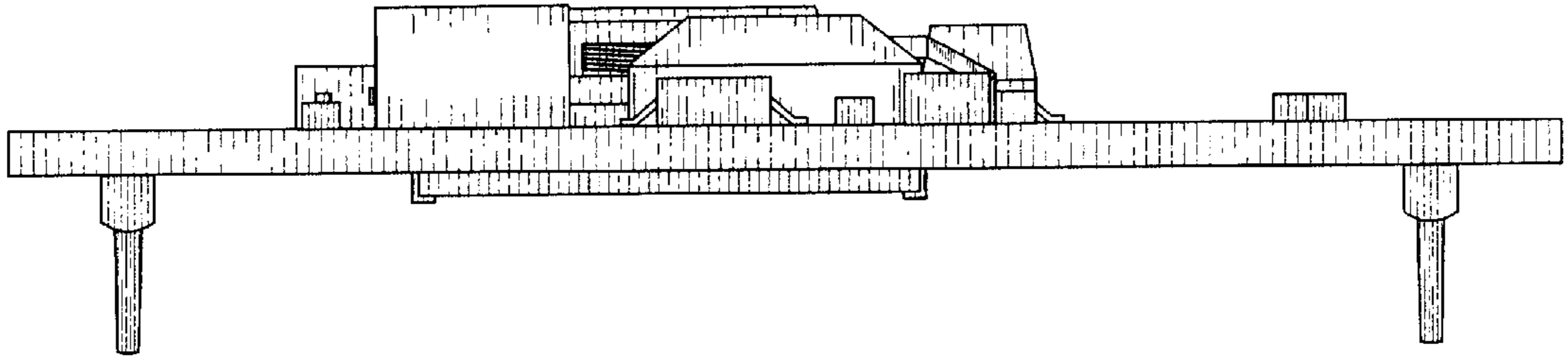


FIG. 2

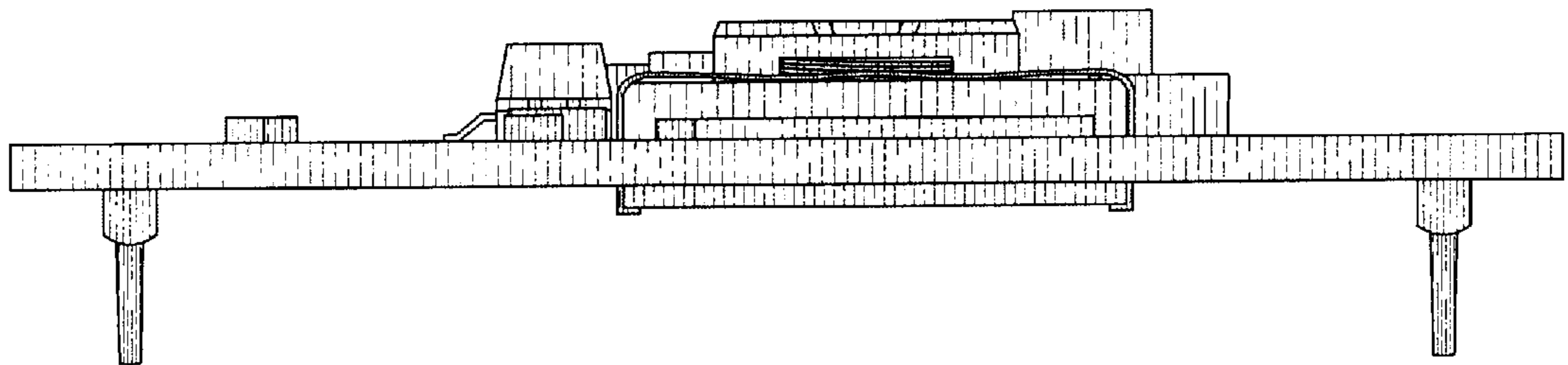


FIG. 3

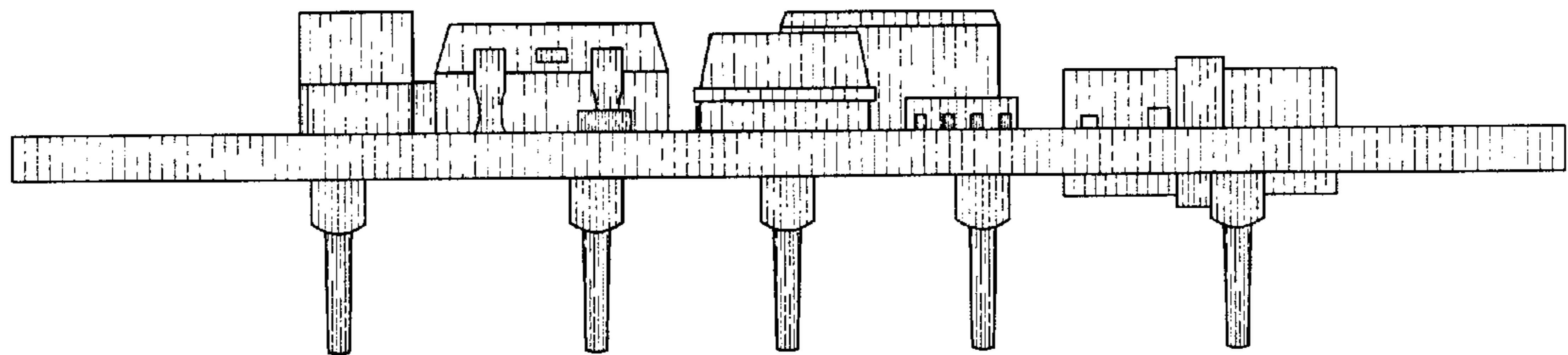


FIG. 4

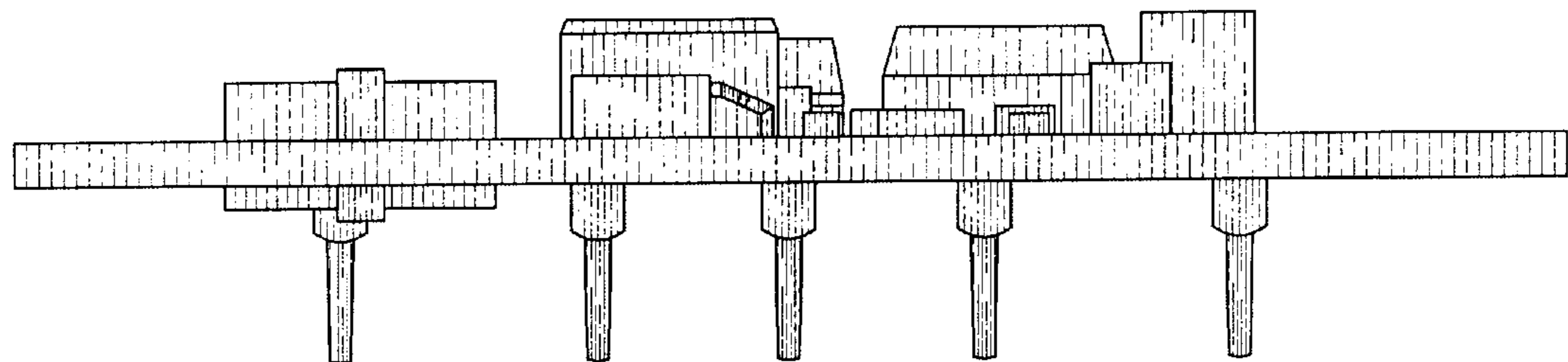


FIG. 5

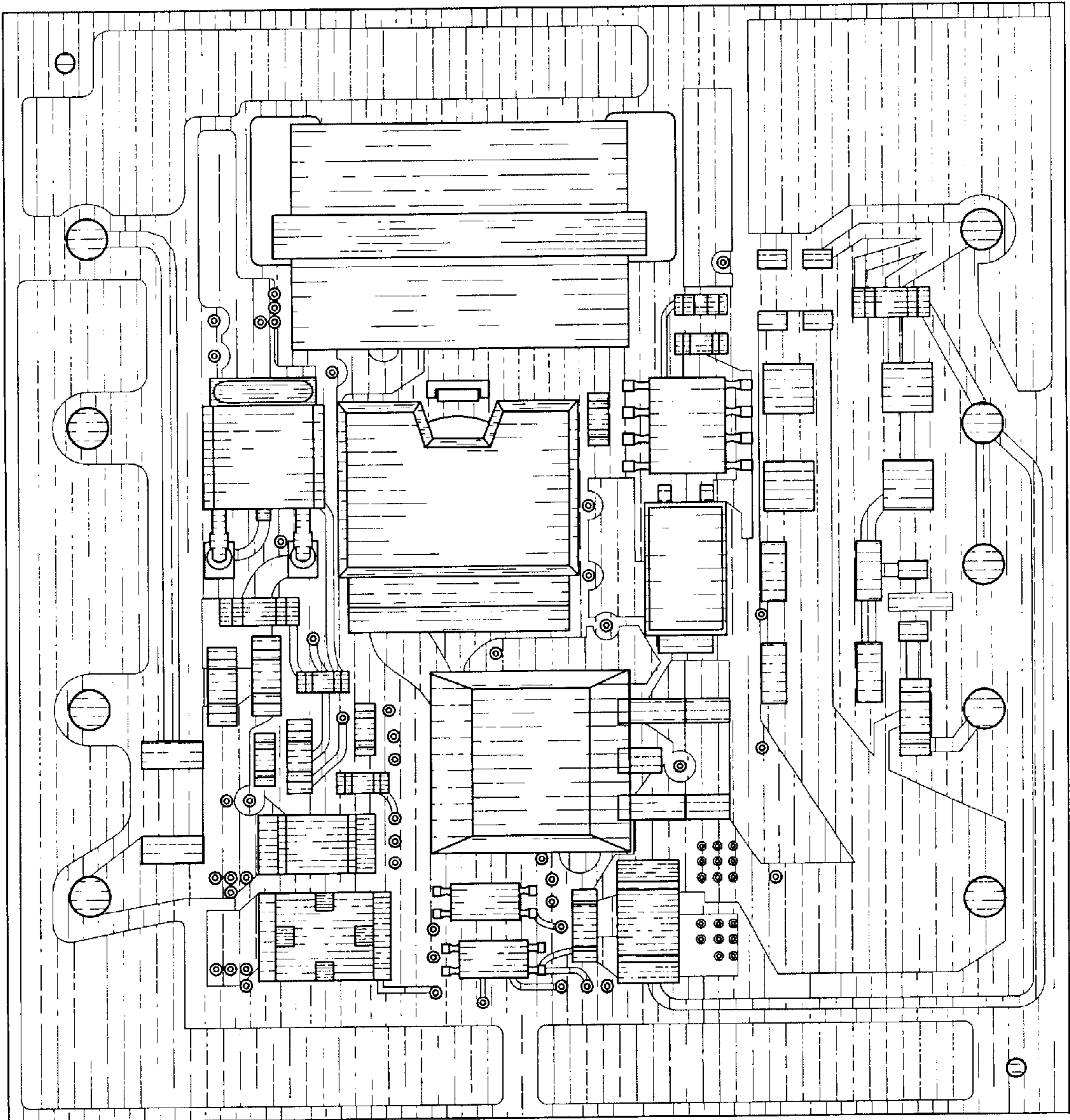


FIG. 6

Disclaimer and Dedication

D. 480,366 — Raul Alcantar, Plano, TX (US); Gordon K. Y. Lee, Plano, TX (US); Victor Ke-Ji Lee, Plano, TX (US); Carl Milton Wildrick, Parker, TX (US). POWER SUPPLY MODULE. Patent dated October 7, 2003. Disclaimer filed September 23, 2015, by the assignee, TDK-Lambda Corporation.

Hereby disclaims and dedicates to the Public, the remaining term of said design patent.

(Official Gazette, November 3, 2015)