



US00D480365S

(12) **United States Design Patent**  
**Nurdoğan**

(10) **Patent No.:** **US D480,365 S**

(45) **Date of Patent:** **\*\* Oct. 7, 2003**

(54) **ELECTRICAL CONTACTOR**

(75) **Inventor:** **Mustafa Nurdoğan, Adapazari (TR)**

(73) **Assignee:** **Federal Elektrik Yatirim Ve Ticaret A.S., Adapazari (TR)**

(\*\*) **Term:** **14 Years**

(21) **Appl. No.:** **29/146,151**

(22) **Filed:** **Aug. 3, 2001**

(51) **LOC (7) Cl.** ..... **13-03**

(52) **U.S. Cl.** ..... **D13/159**

(58) **Field of Search** ..... D13/158, 159,  
D13/146, 147, 160; 200/280, 303, 293,  
294, 297; 335/131, 132, 133, 196, 202,  
262, 251

(56) **References Cited**

**U.S. PATENT DOCUMENTS**

4,945,328	A	*	7/1990	Kinney et al.	.....	335/202
4,980,801	A	*	12/1990	Guinda et al.	.....	361/730
D317,438	S	*	6/1991	Sako	.....	D13/159
D326,844	S	*	6/1992	Bouteiller	.....	D13/159
5,424,900	A	*	6/1995	Kiiskinen et al.	.....	361/116
D373,112	S	*	8/1996	Kim	.....	D13/159

5,844,457	A	*	12/1998	Eckroth et al.	.....	335/132
D406,104	S	*	2/1999	Gonser	.....	D13/159
D406,105	S	*	2/1999	Gonser	.....	D13/159
D406,564	S	*	3/1999	Gonser	.....	D13/159
6,034,584	A	*	3/2000	Hilfiker	.....	335/132
6,111,488	A	*	8/2000	Nakamura et al.	.....	335/132
6,285,271	B1	*	9/2001	Bauer et al.	.....	335/132

\* cited by examiner

*Primary Examiner*—Ted Shooman

*Assistant Examiner*—Selina Sikder

(74) *Attorney, Agent, or Firm*—Arent Fox Kintner Plotkin & Kahn, PLLC

(57) **CLAIM**

The ornamental design for an electrical contactor, as shown and described.

**DESCRIPTION**

FIG. 1 is a perspective view of an electrical contactor showing my new design;

FIG. 2 is a first side view thereof;

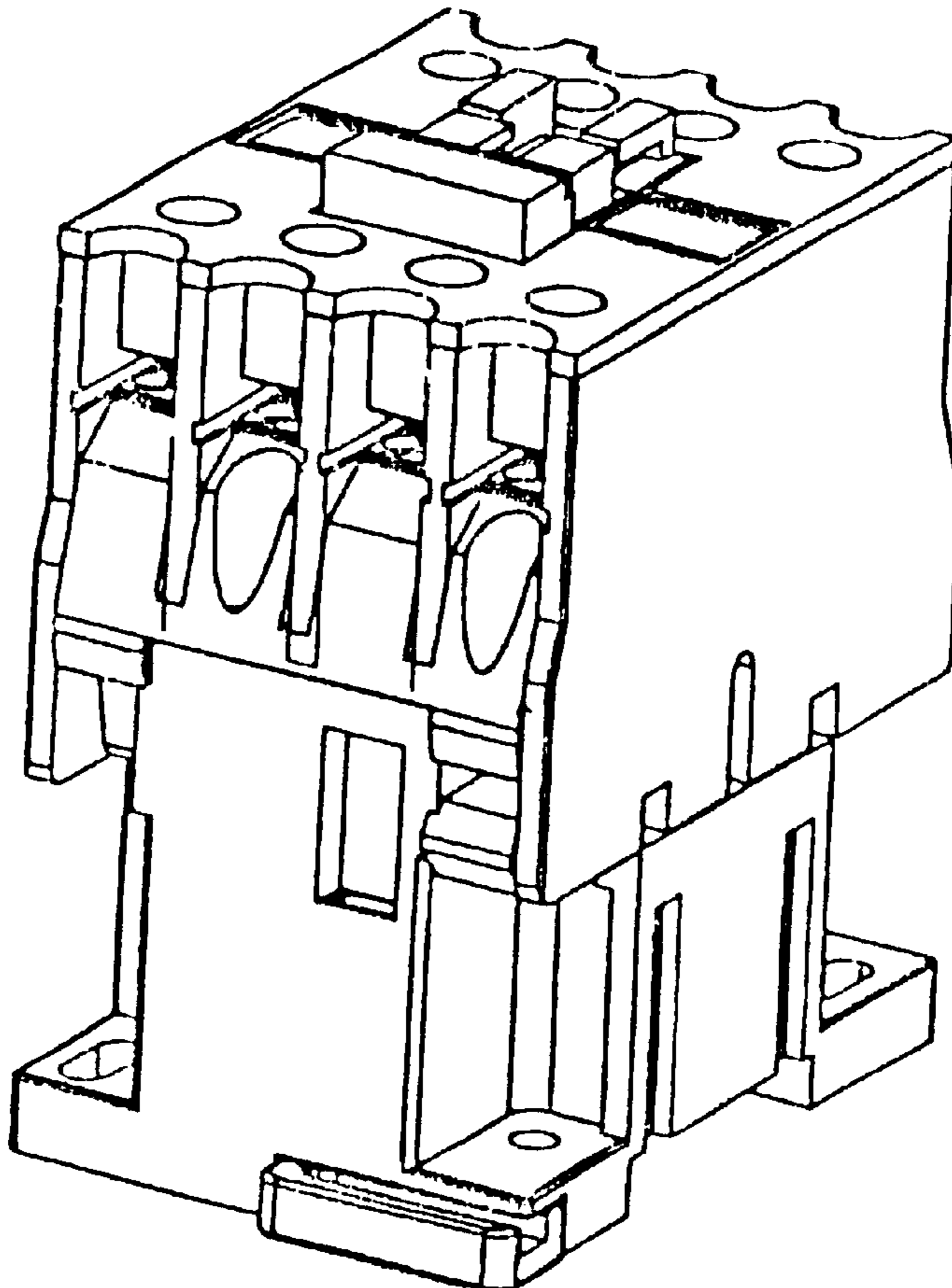
FIG. 3 is a rear view thereof;

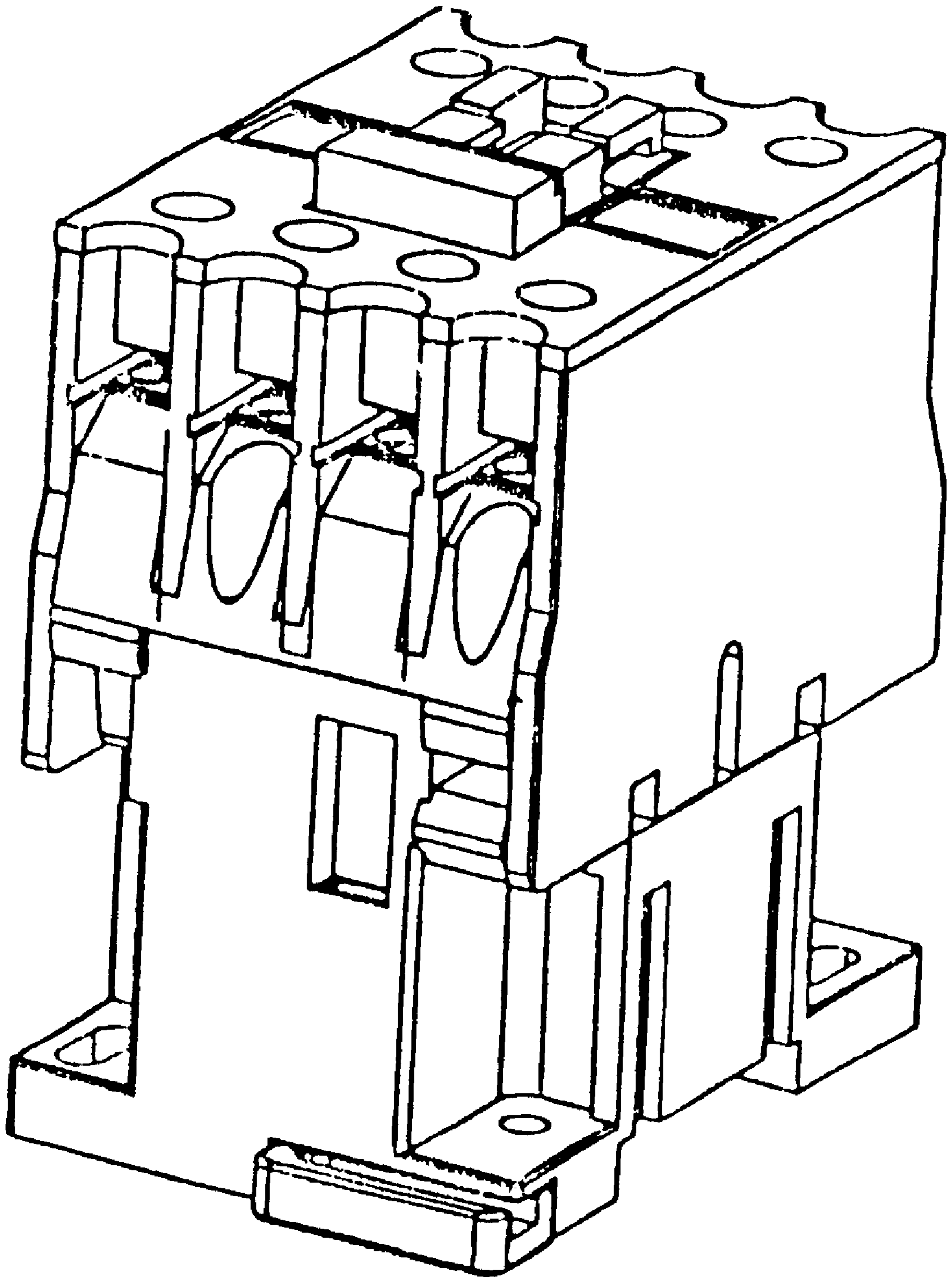
FIG. 4 is a second side view thereof;

FIG. 5 is a bottom view thereof; and,

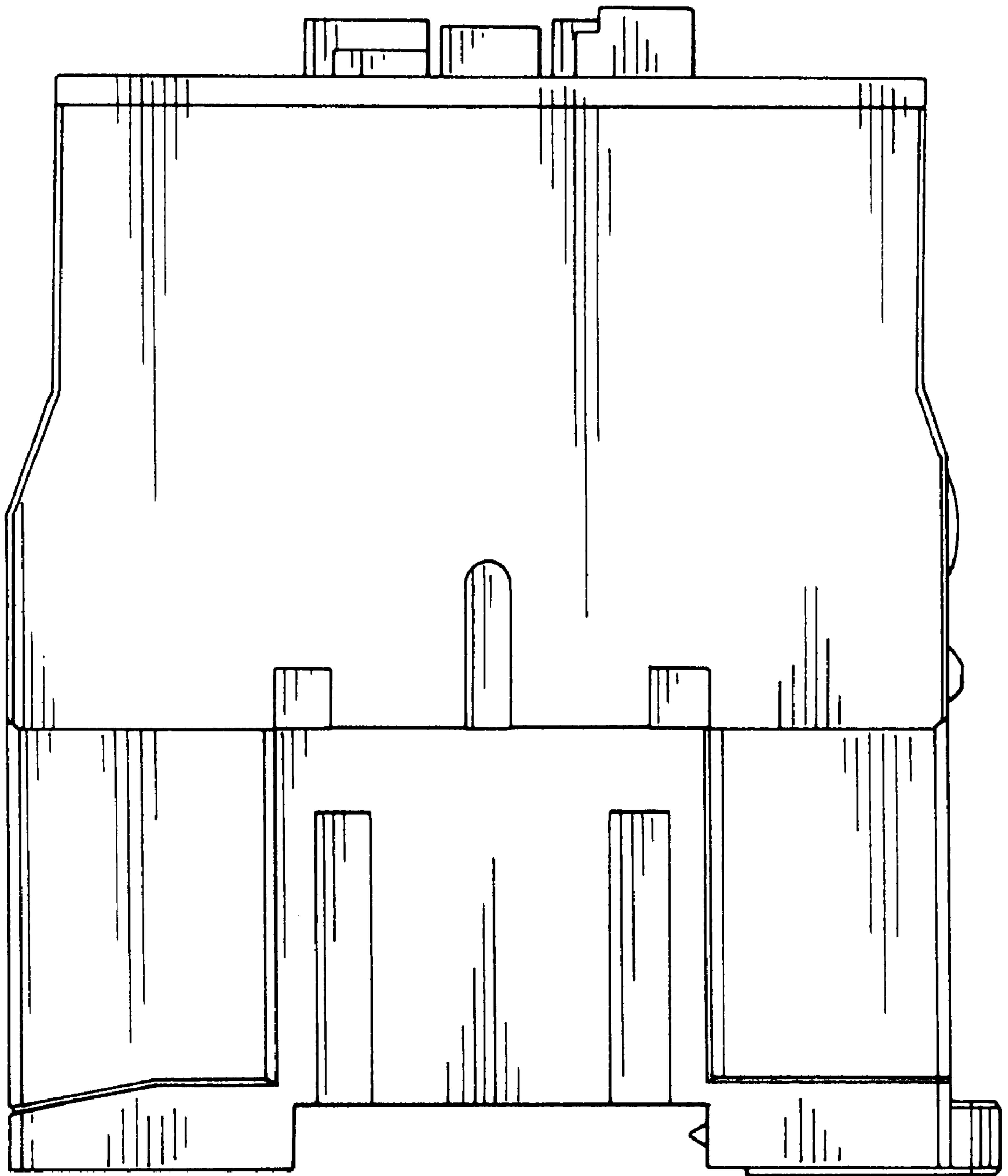
FIG. 6 is a top view thereof.

**1 Claim, 6 Drawing Sheets**

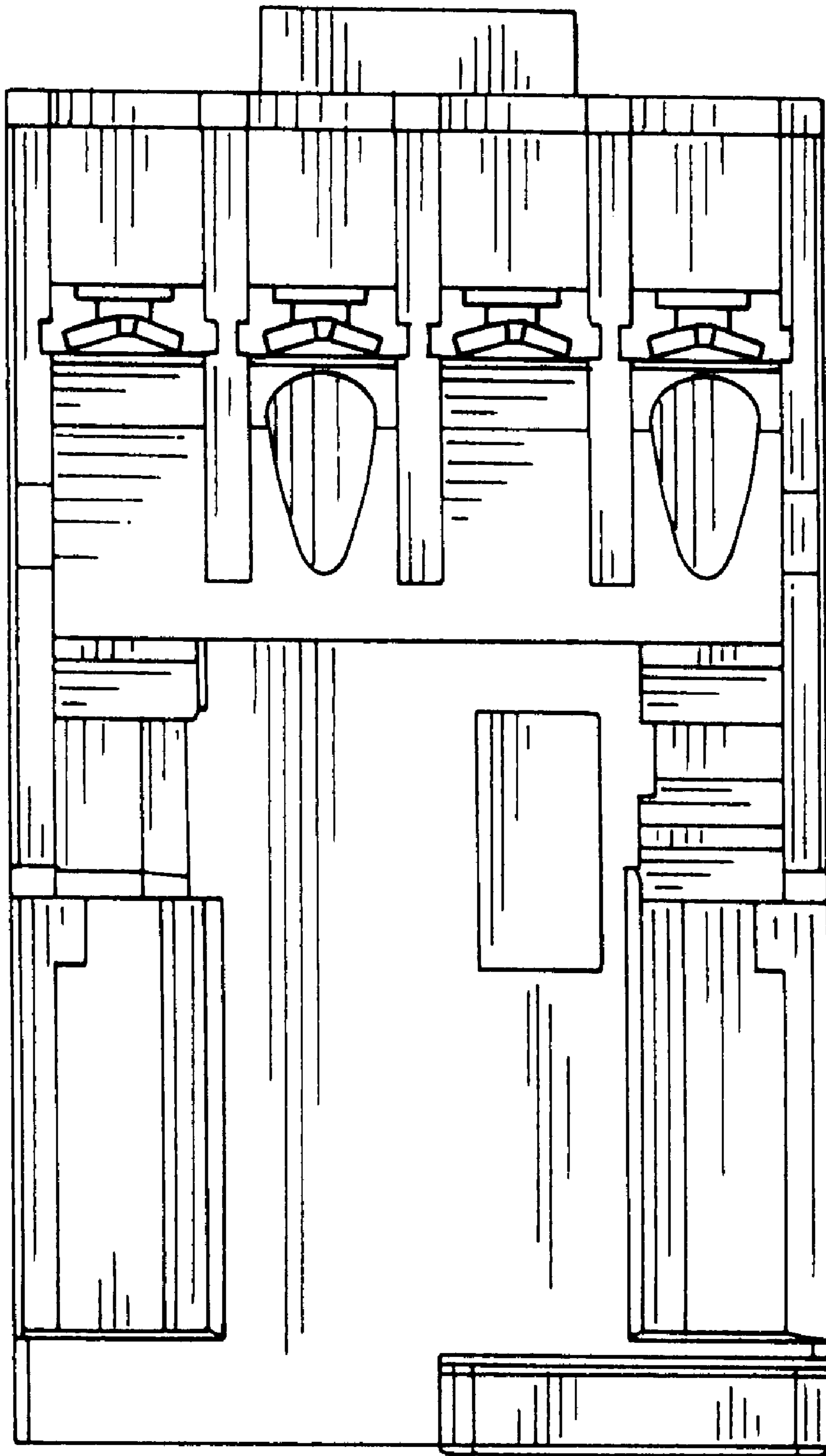




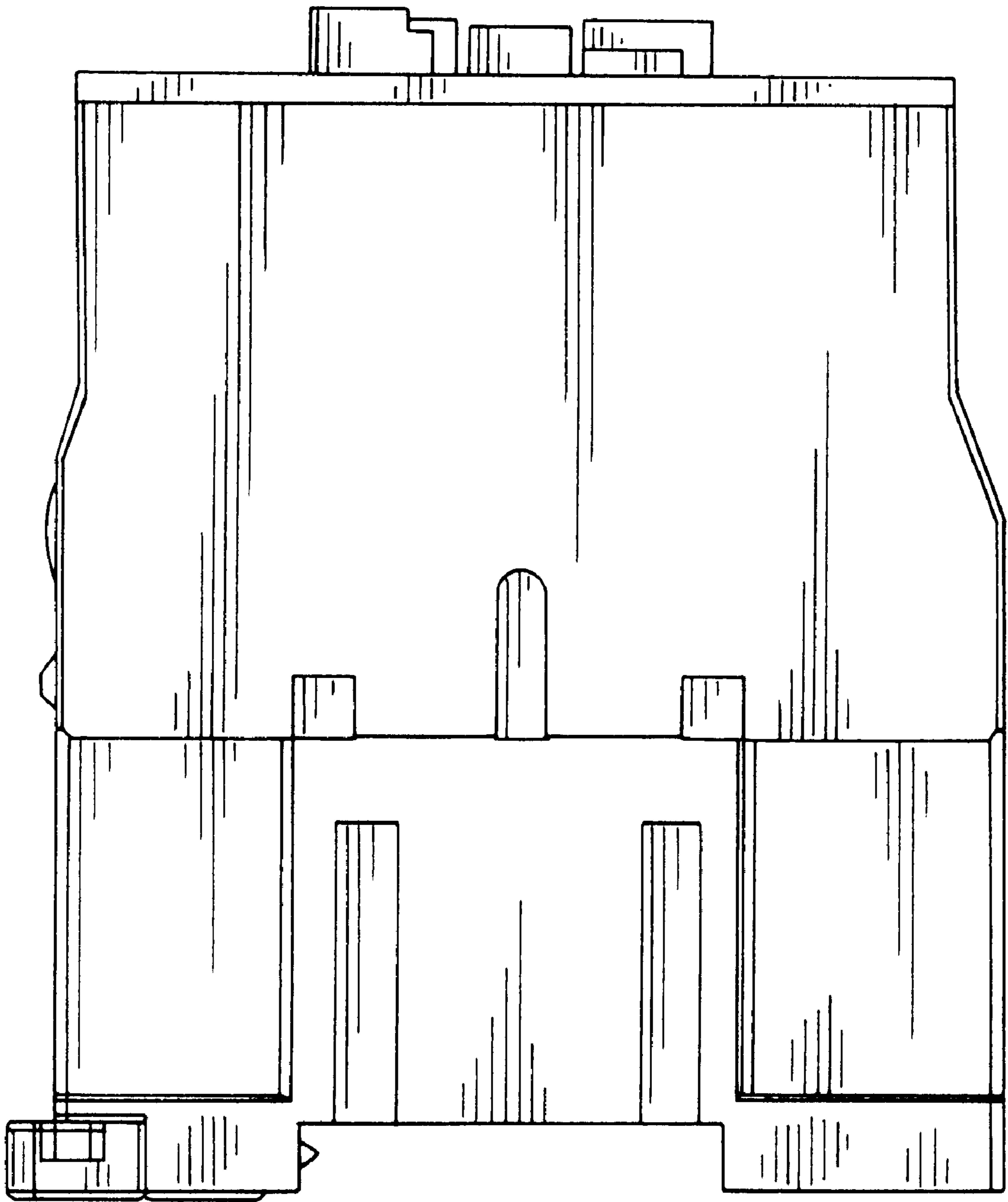
*Figure 1*



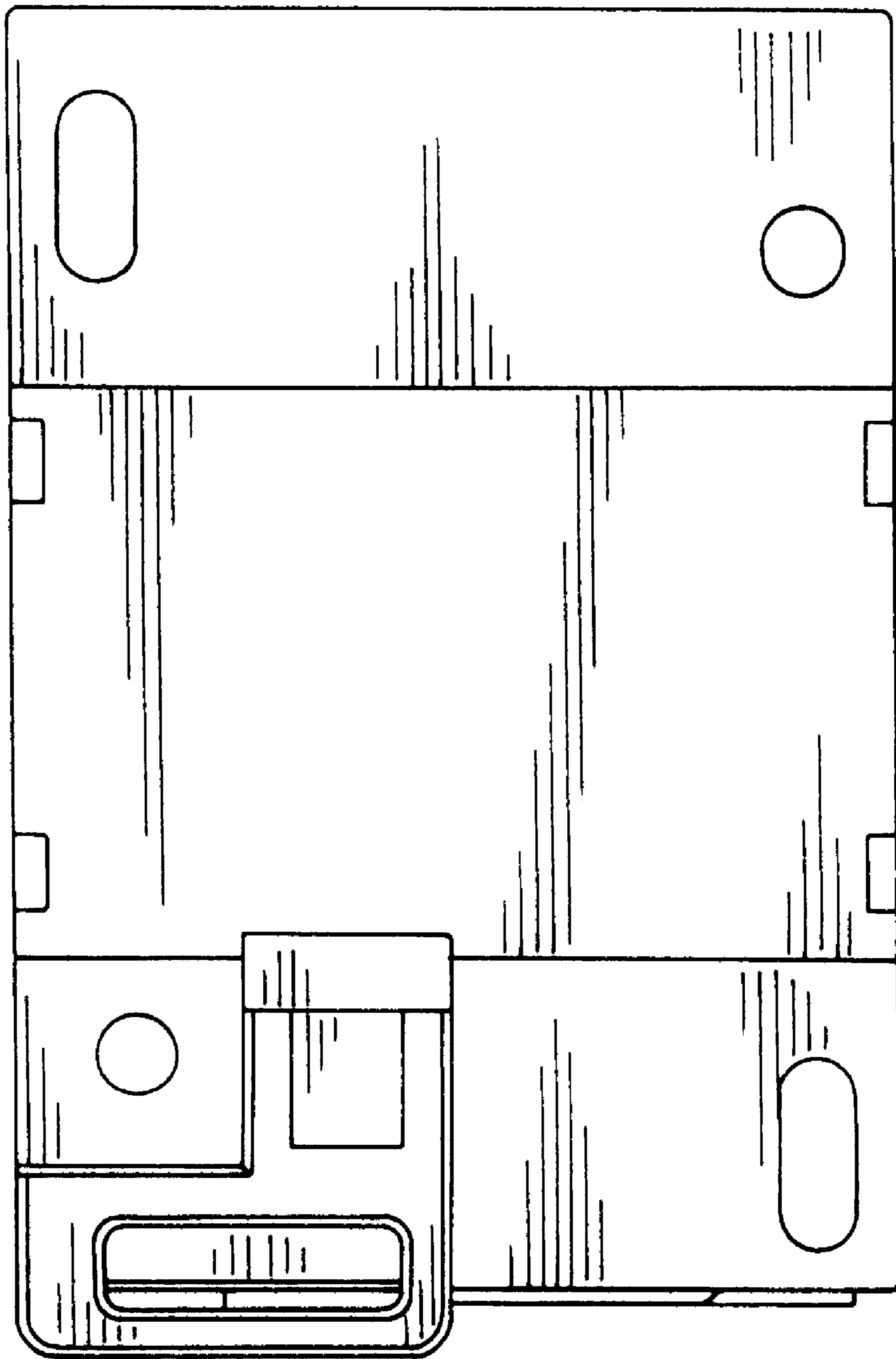
*Fig. 2*



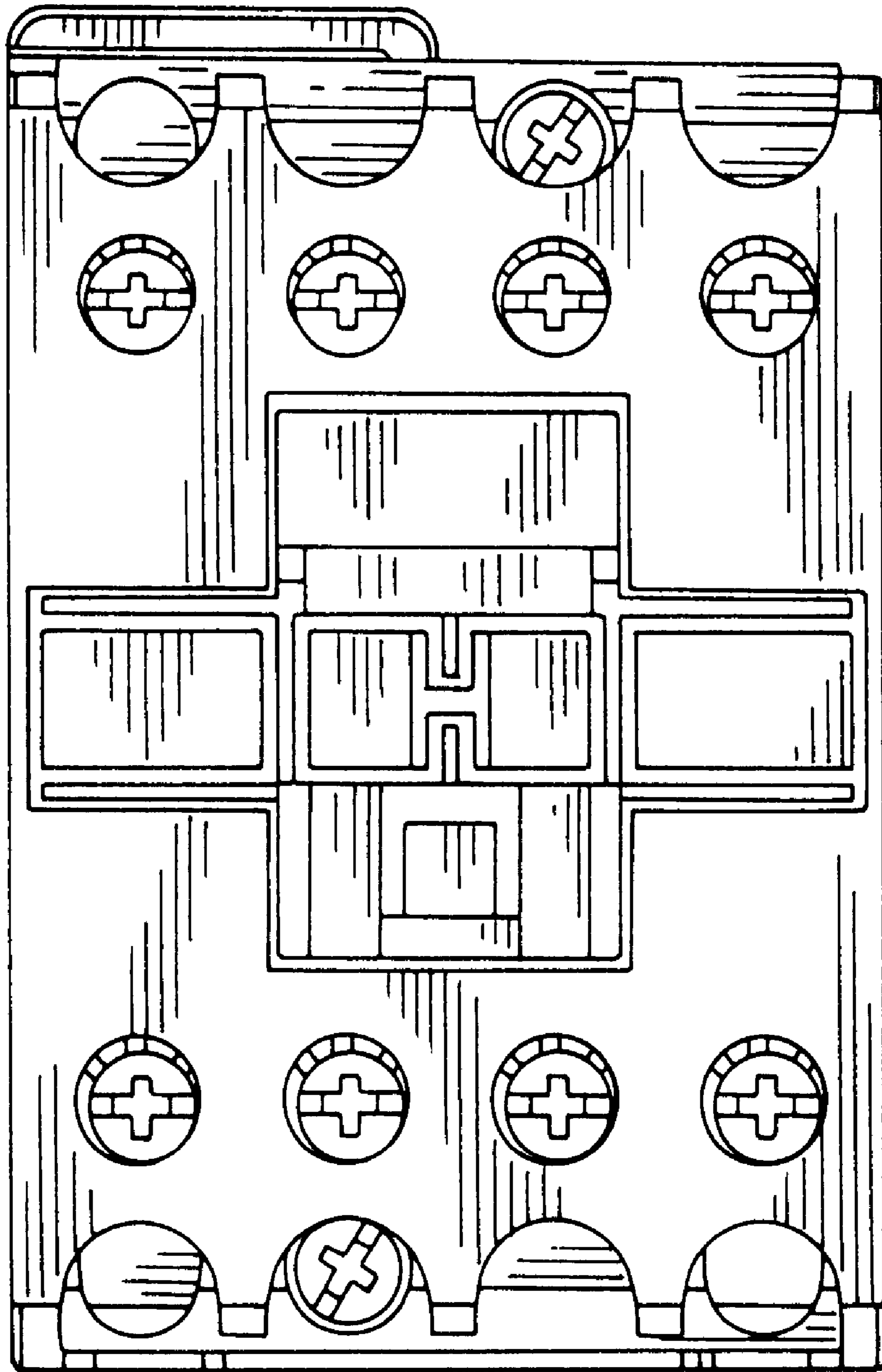
*Fig. 3*



*Fig. 4*



*Fig. 5*



*Fig. 6*