



US00D480364S

(12) **United States Design Patent**  
**Bluemel**

(10) **Patent No.:** **US D480,364 S**

(45) **Date of Patent:** **\*\* Oct. 7, 2003**

(54) **VACUUM CONTACTOR**

(75) Inventor: **Thomas Bluemel**, Moehrendorf (DE)

(73) Assignee: **Siemens Aktiengesellschaft**, Munich (DE)

(\*\*) Term: **14 Years**

(21) Appl. No.: **29/129,214**

(22) Filed: **Sep. 8, 2000**

(30) **Foreign Application Priority Data**

Mar. 8, 2000 (DE) ..... 4 00 02 707

(51) **LOC (7) Cl.** ..... **13-03**

(52) **U.S. Cl.** ..... **D13/159**

(58) **Field of Search** ..... D13/159; 200/280,  
200/303, 293, 294, 297; 331/131, 132,  
133, 202, 196, 262, 251

(56) **References Cited**

**U.S. PATENT DOCUMENTS**

- D274,720 S \* 7/1984 Hannich et al. .... D13/159
- 4,774,484 A \* 9/1988 Lehman et al. .... 335/197
- D298,485 S \* 11/1988 Bauer ..... D13/159

- 5,424,900 A \* 6/1995 Kiiskinen et al. .... 361/116
- D406,564 S \* 3/1999 Gonser ..... D13/159
- 6,411,184 B1 \* 6/2002 Comtois et al. .... 335/106

\* cited by examiner

*Primary Examiner*—Ted Shooman

*Assistant Examiner*—Selina Sikder

(74) *Attorney, Agent, or Firm*—Kenyon & Kenyon

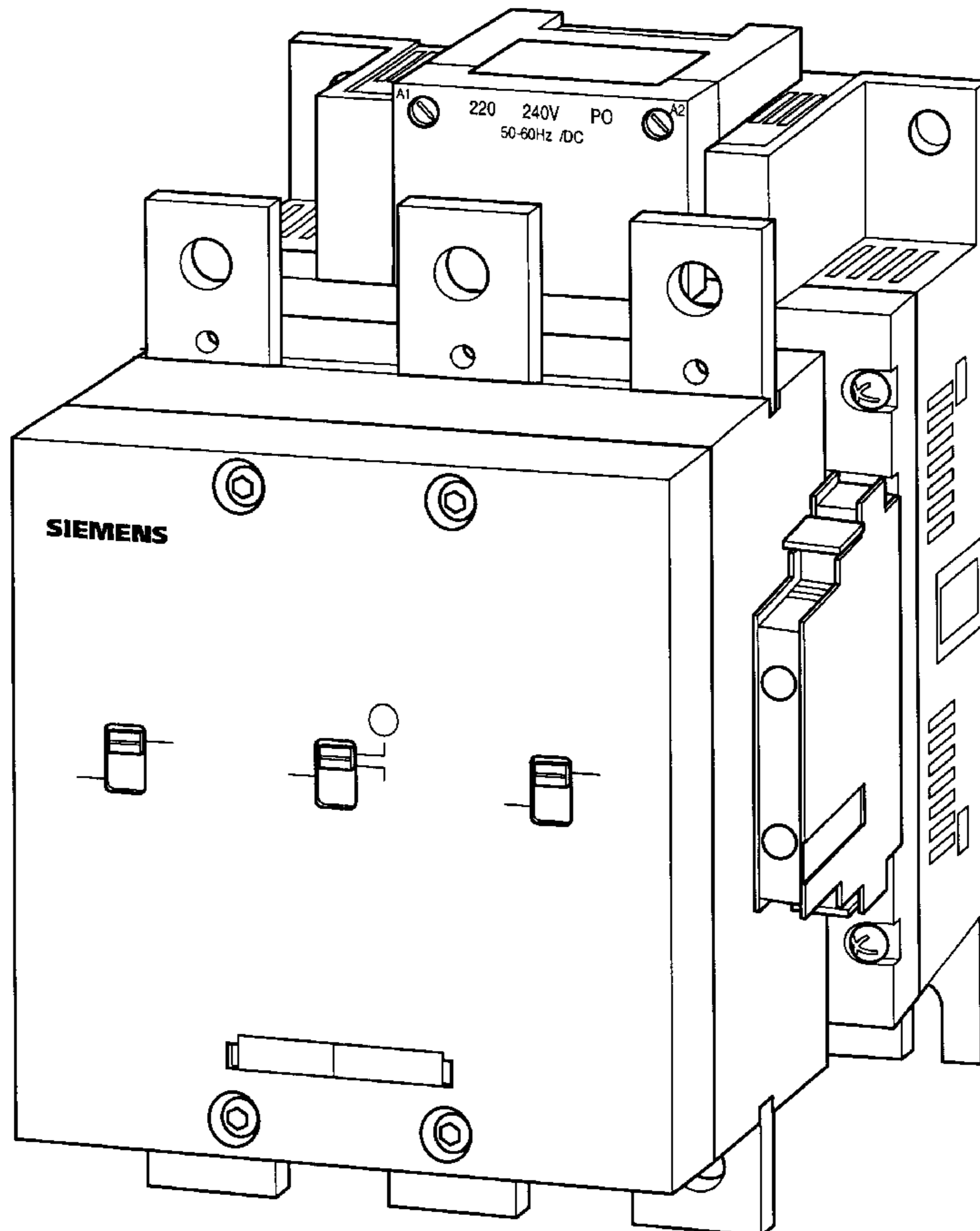
(57) **CLAIM**

The ornamental design for a vacuum contactor, as shown.

**DESCRIPTION**

FIG. 1 is a perspective view of a first embodiment of a vacuum contactor;  
 FIG. 2 is a front elevational view thereof;  
 FIG. 3 is a first side elevational view thereof;  
 FIG. 4 is a second side elevational view thereof;  
 FIG. 5 is a top plan view thereof;  
 FIG. 6 is a bottom plan view thereof;  
 FIG. 7 is a perspective view of a second embodiment of a vacuum contactor;  
 FIG. 8 is a front elevational view thereof;  
 FIG. 9 is a first side elevational view thereof; and,  
 FIG. 10 is a second side elevational view thereof.

**1 Claim, 10 Drawing Sheets**



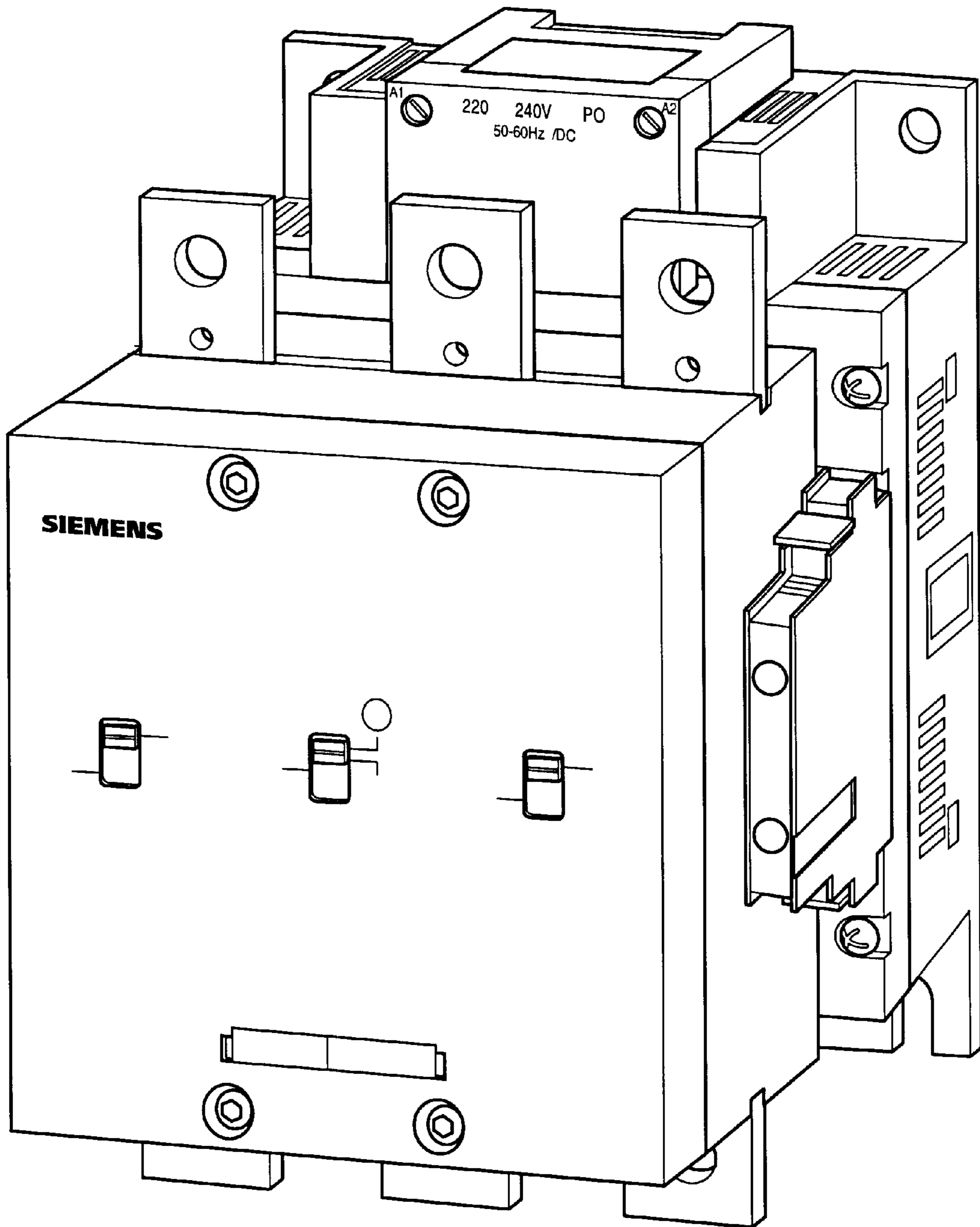


FIG. 1

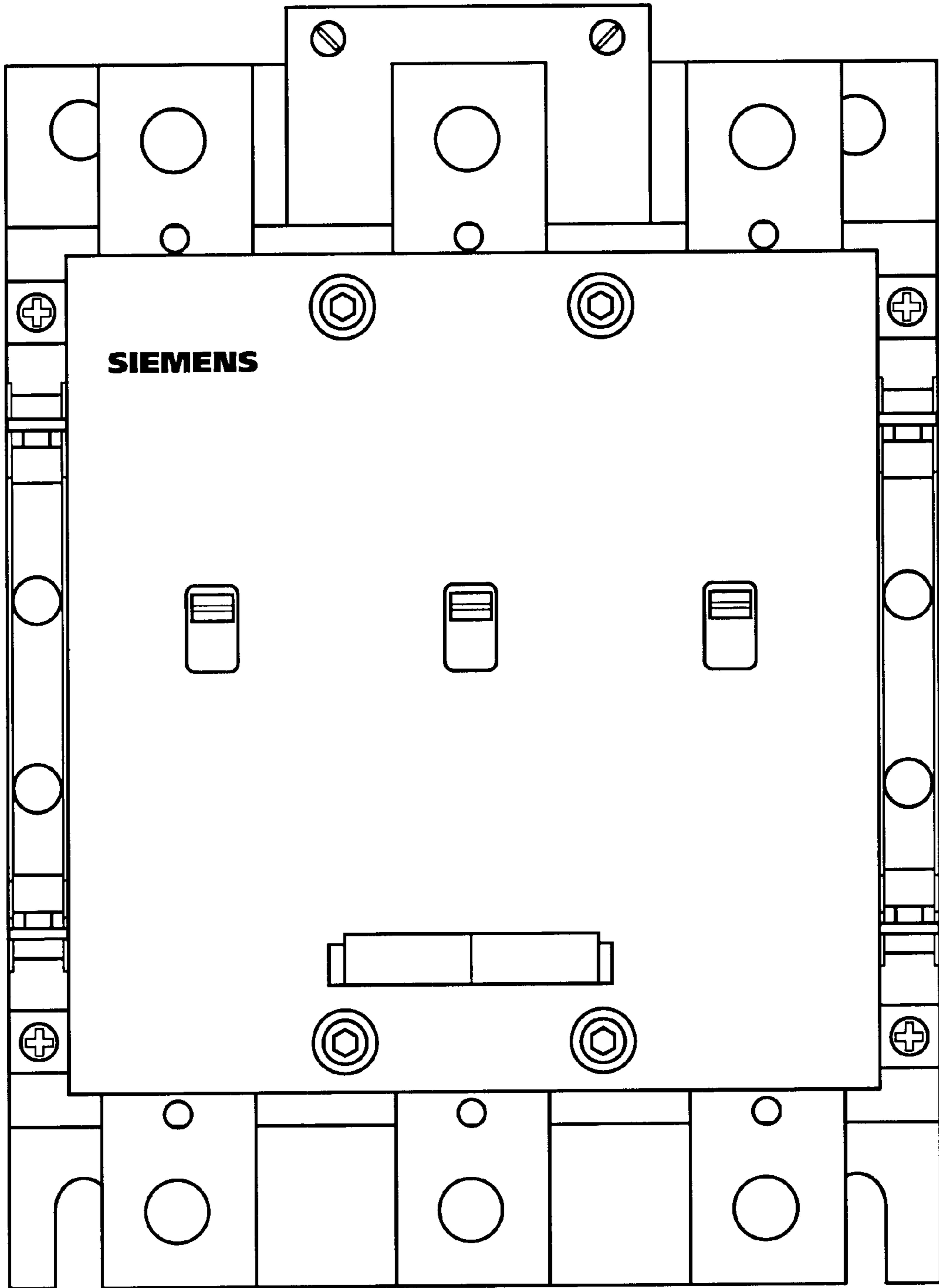


FIG. 2

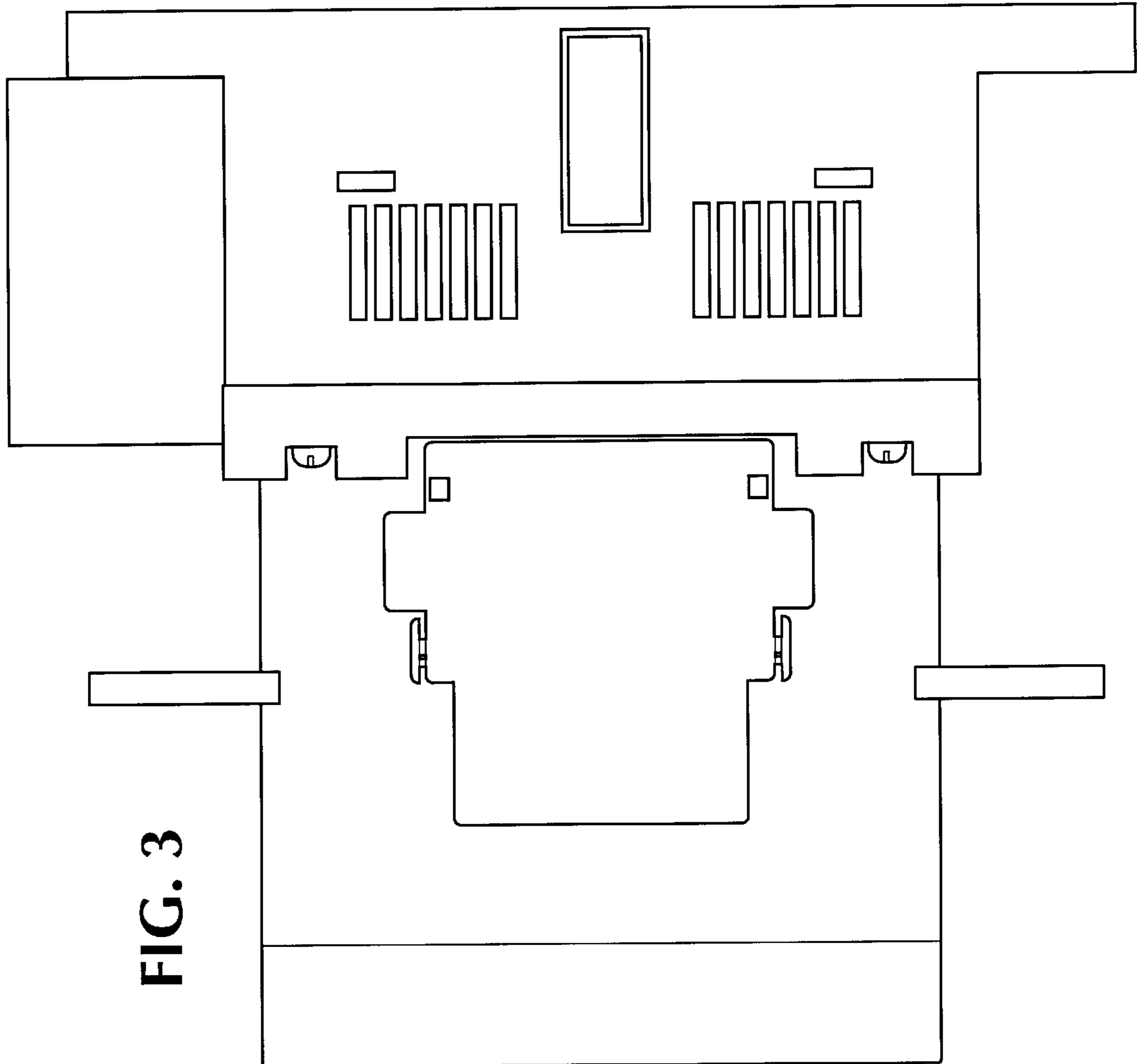


FIG. 3

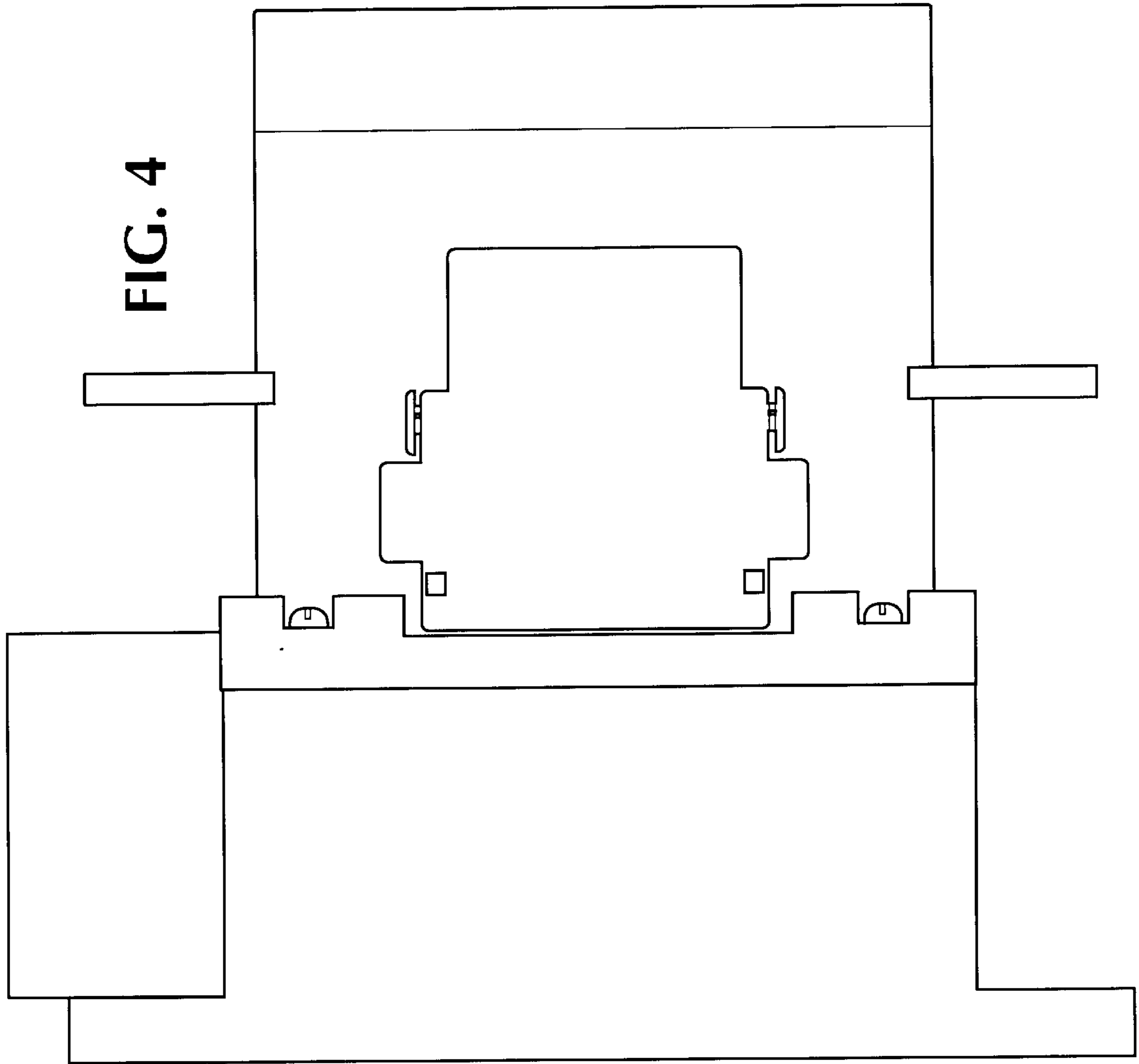


FIG. 5

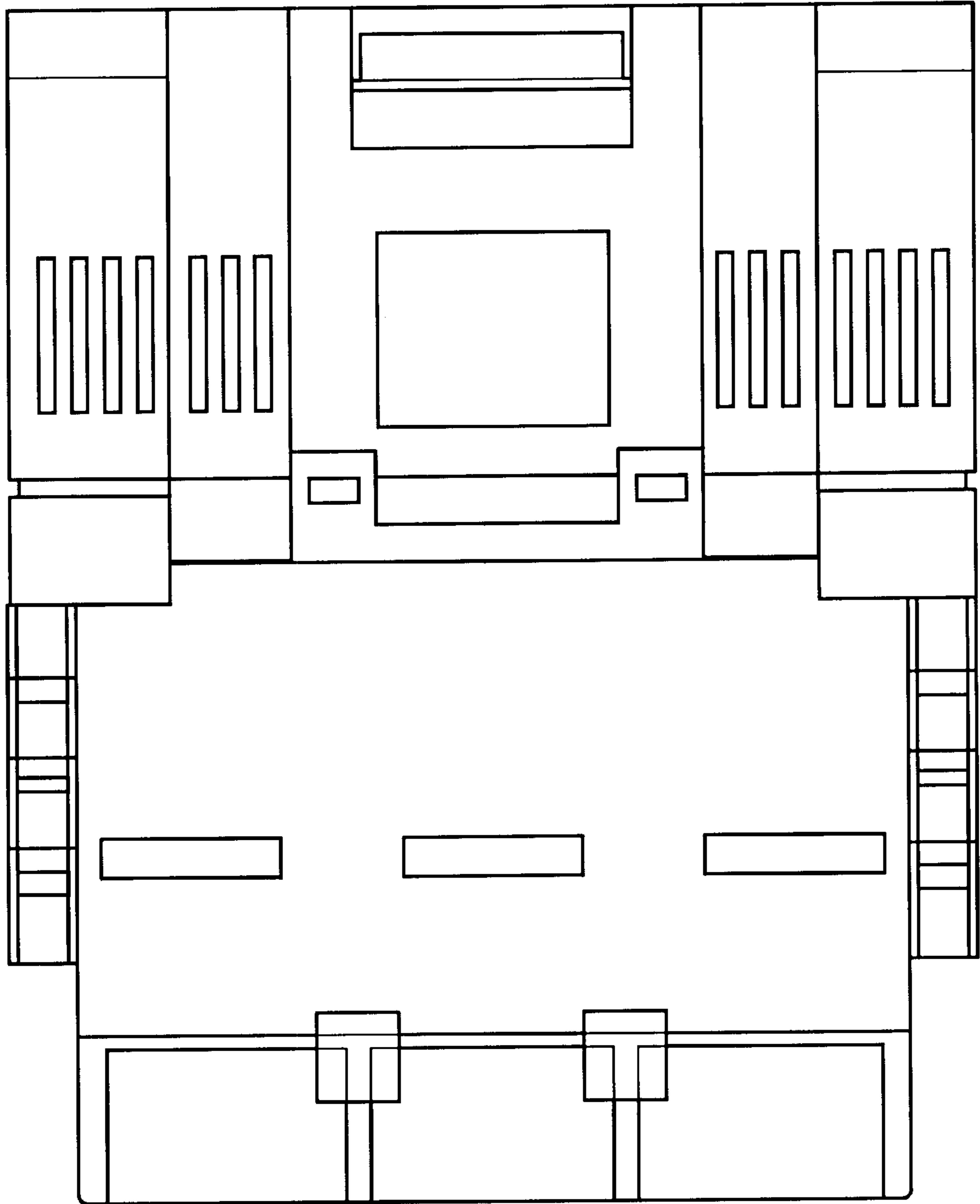
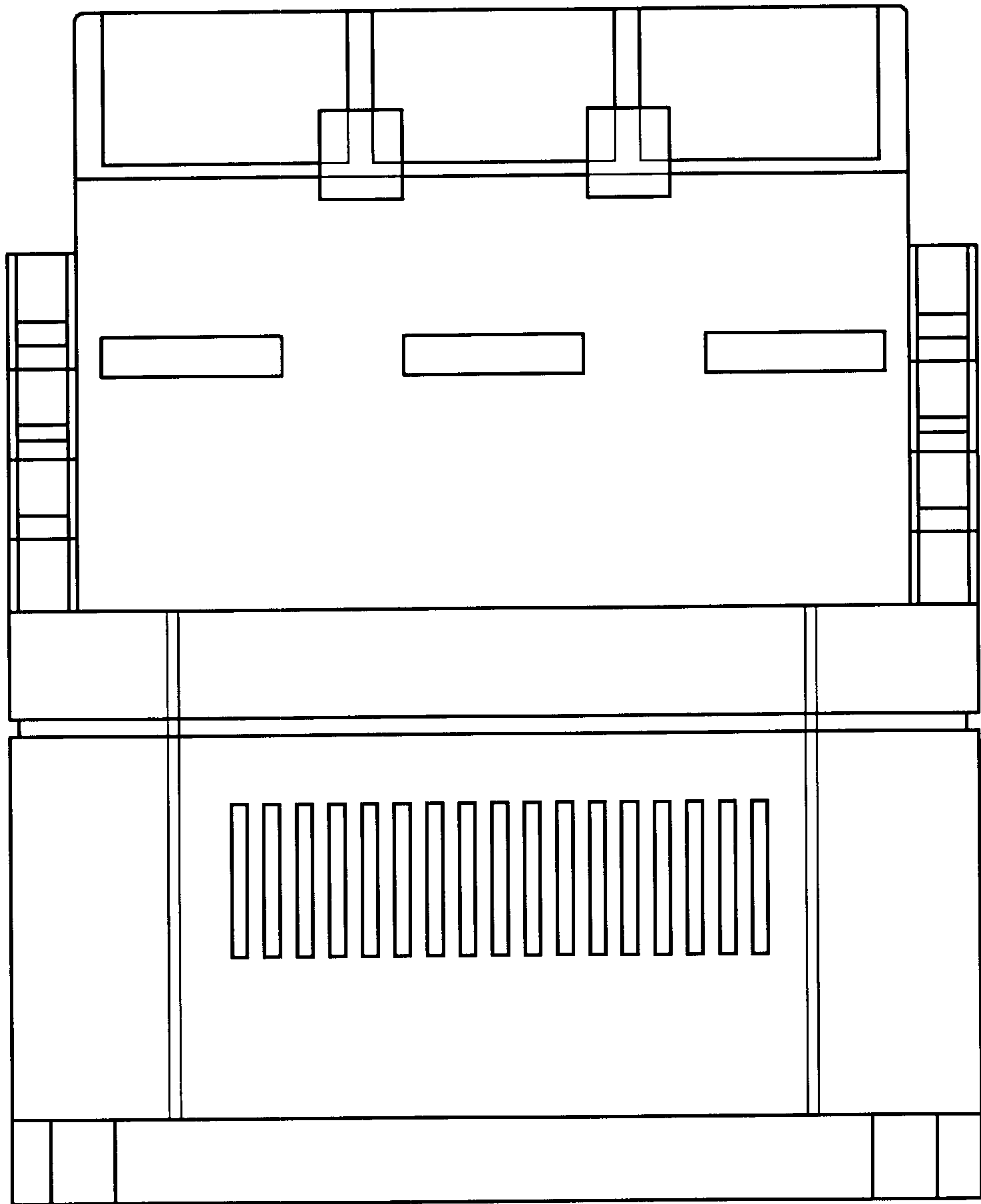


FIG. 6



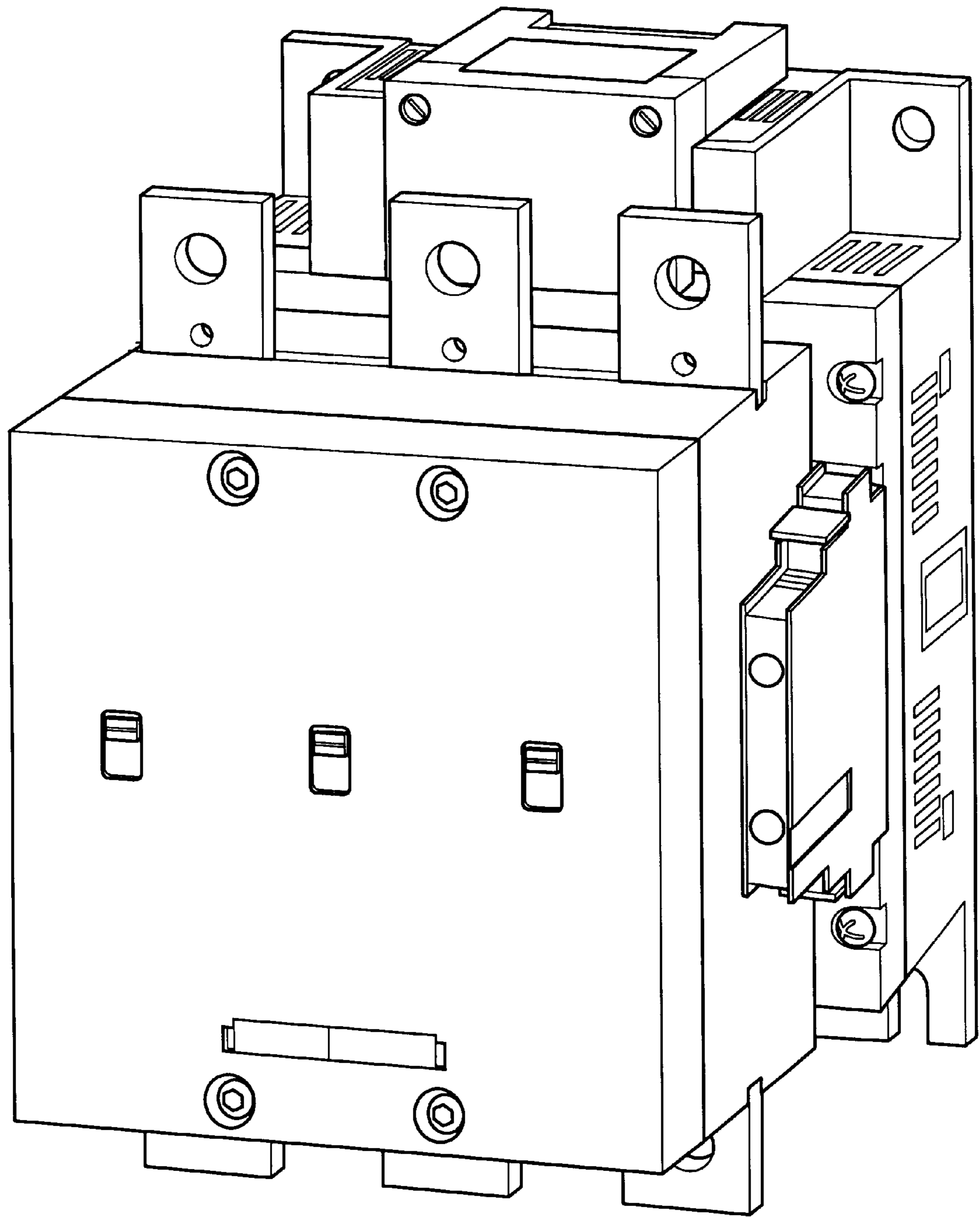


FIG. 7



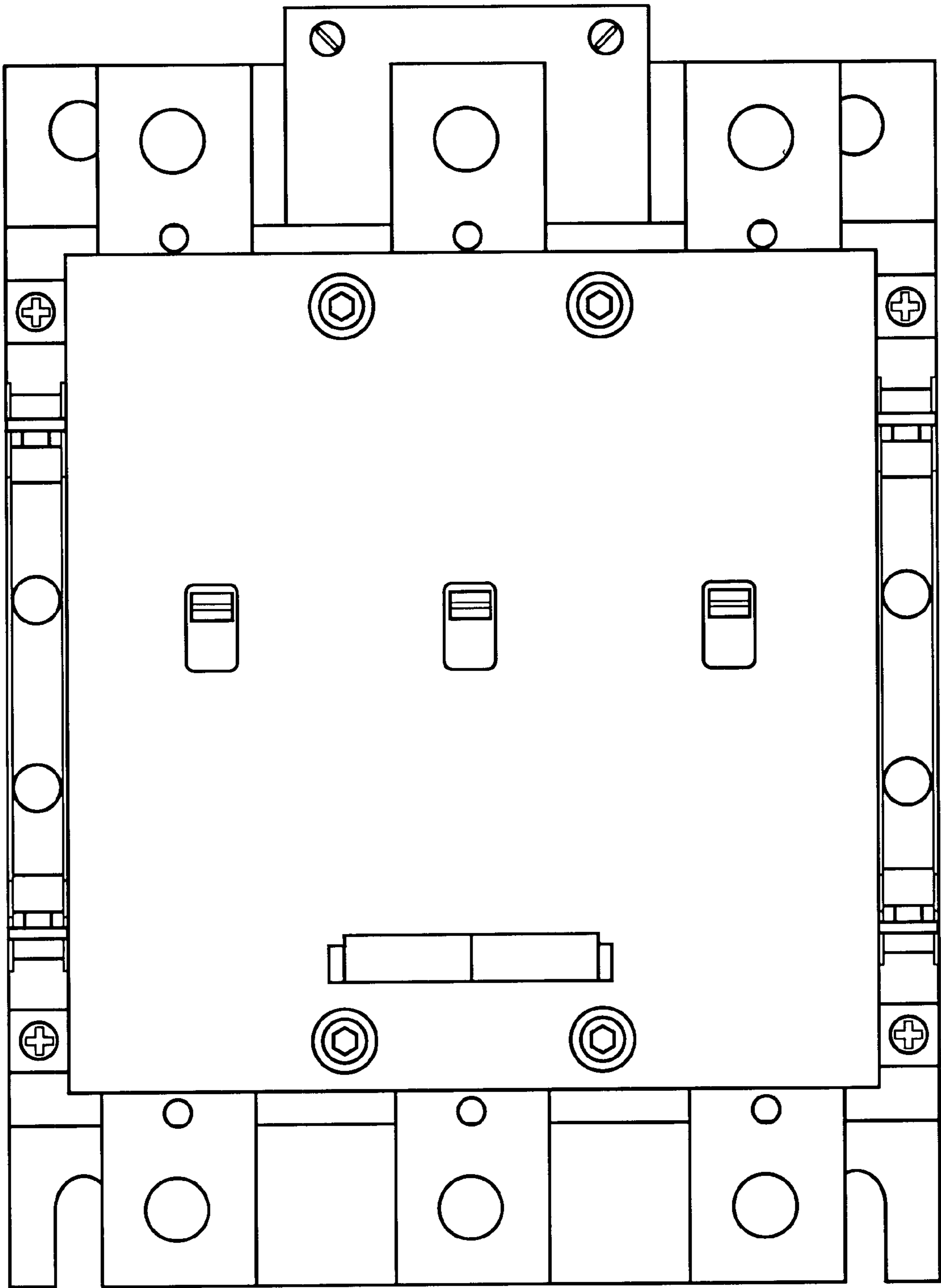


FIG. 8

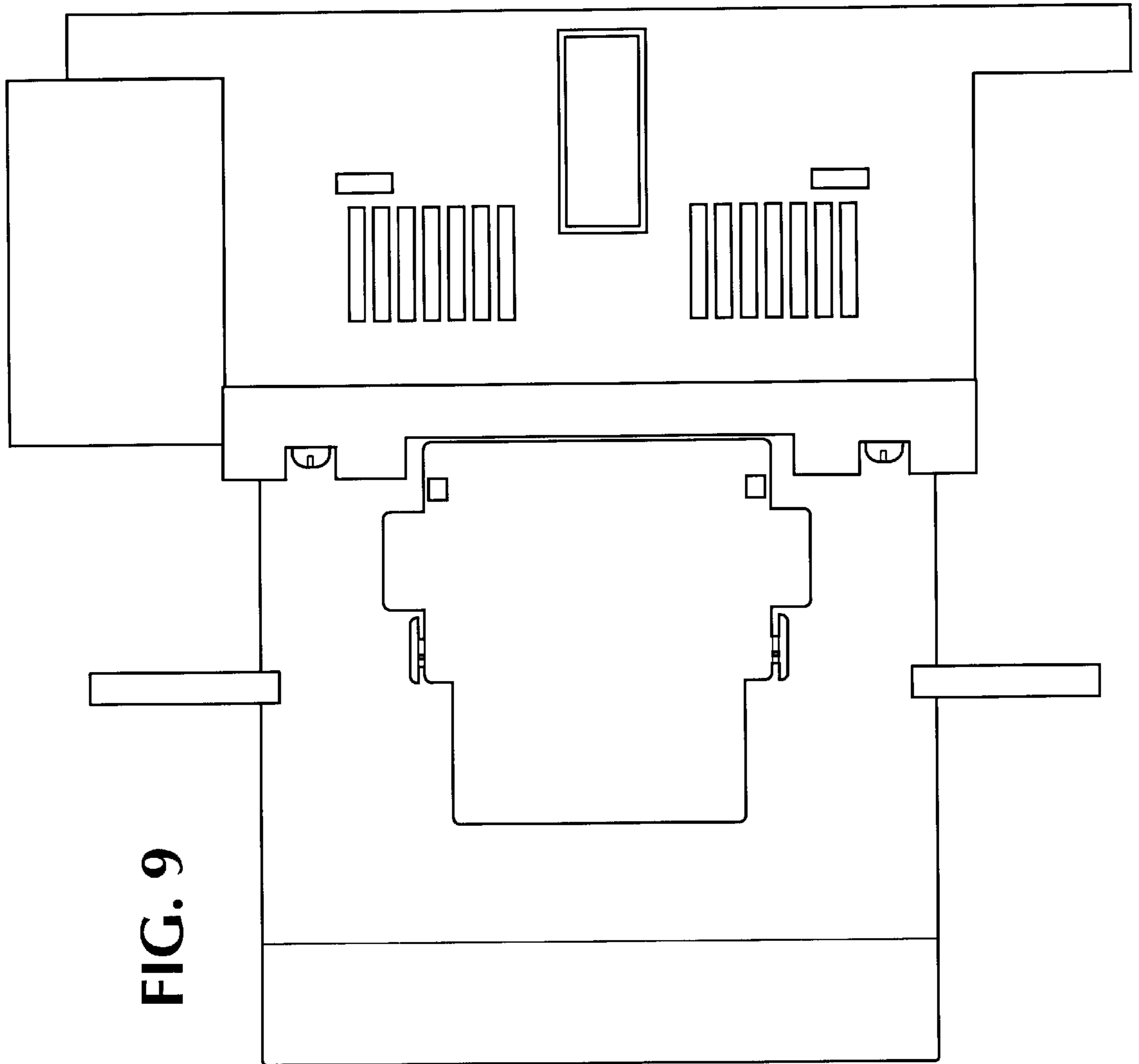


FIG. 9

