



US00D480362S

(12) **United States Design Patent**
Yu

(10) **Patent No.:** **US D480,362 S**

(45) **Date of Patent:** **** Oct. 7, 2003**

(54) **PLUG COVER**

Primary Examiner—Jennifer Rivard

(76) Inventor: **Jeff Yu**, 1101 S. Winchester Blvd.
#D146, San Jose, CA (US) 95128

(57) **CLAIM**

(**) Term: **14 Years**

The ornamental design for a plug cover, as shown and described.

(21) Appl. No.: **29/168,092**

DESCRIPTION

(22) Filed: **Sep. 27, 2002**

(51) **LOC (7) Cl.** **13-03**

FIG. 1 is a front perspective view of a plug cover;

(52) **U.S. Cl.** **D13/156**

FIG. 2 is a front-end rear view thereof;

(58) **Field of Search** D13/154–156;
439/149, 134

FIG. 3 is a right elevational view thereof;

FIG. 4 is a top view thereof; and,

FIG. 5 is a bottom view thereof.

(56) **References Cited**

The broken line environmental showing is for illustrative purposes only and forms no part of the claimed design.

U.S. PATENT DOCUMENTS

3,781,913 A * 12/1973 Liburdi 439/134

* cited by examiner

1 Claim, 1 Drawing Sheet

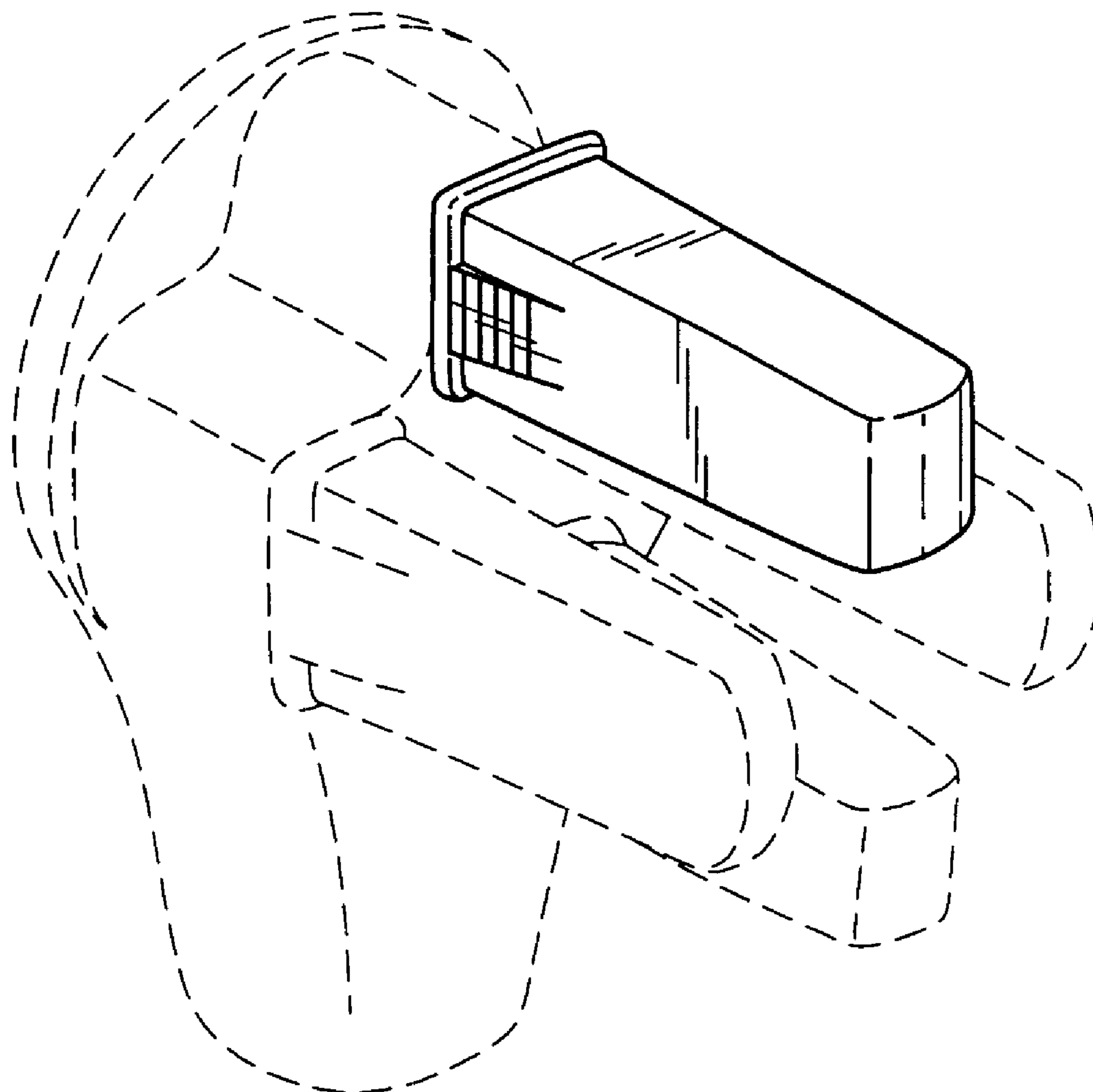


FIG. 1

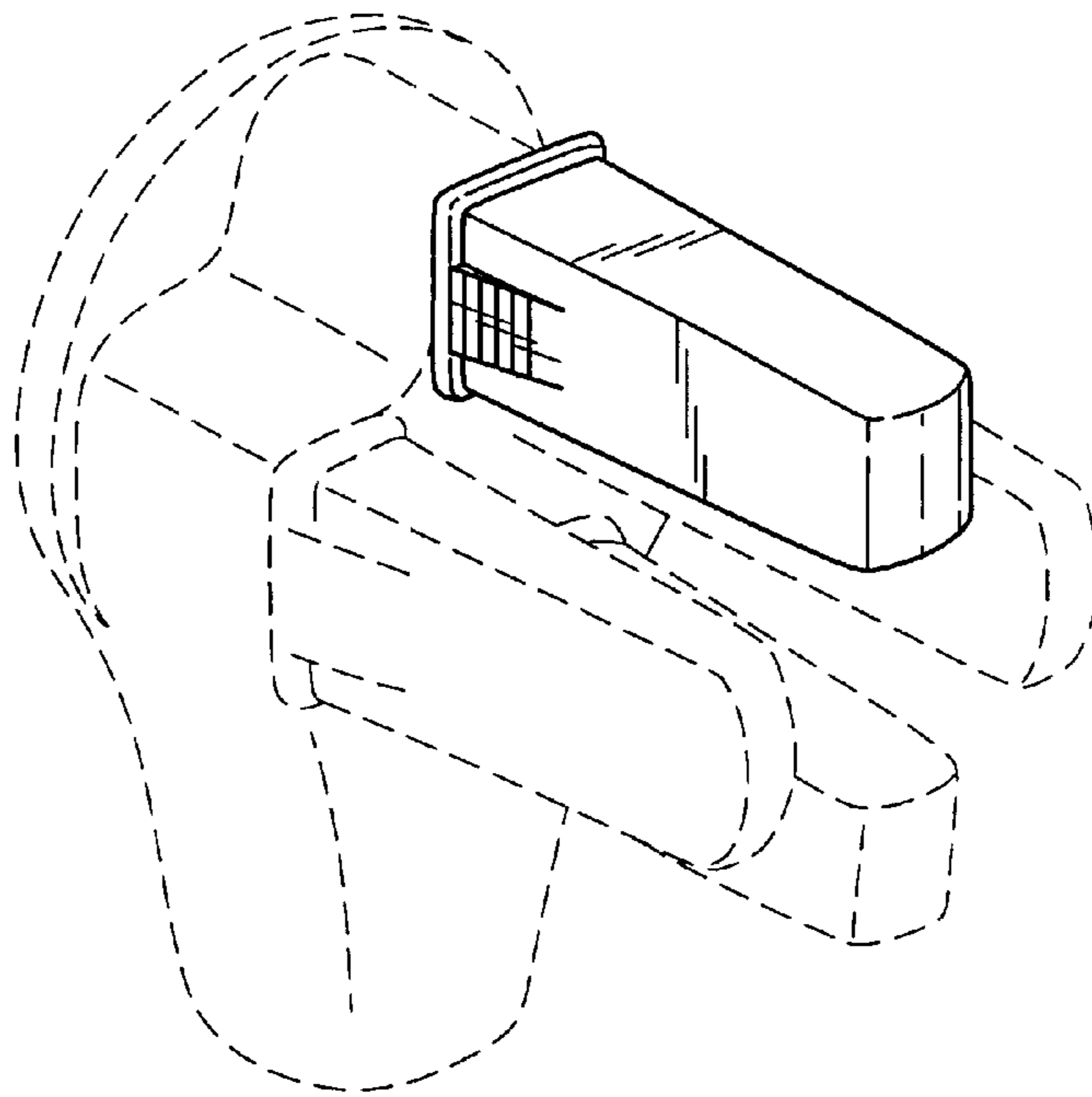


FIG. 2

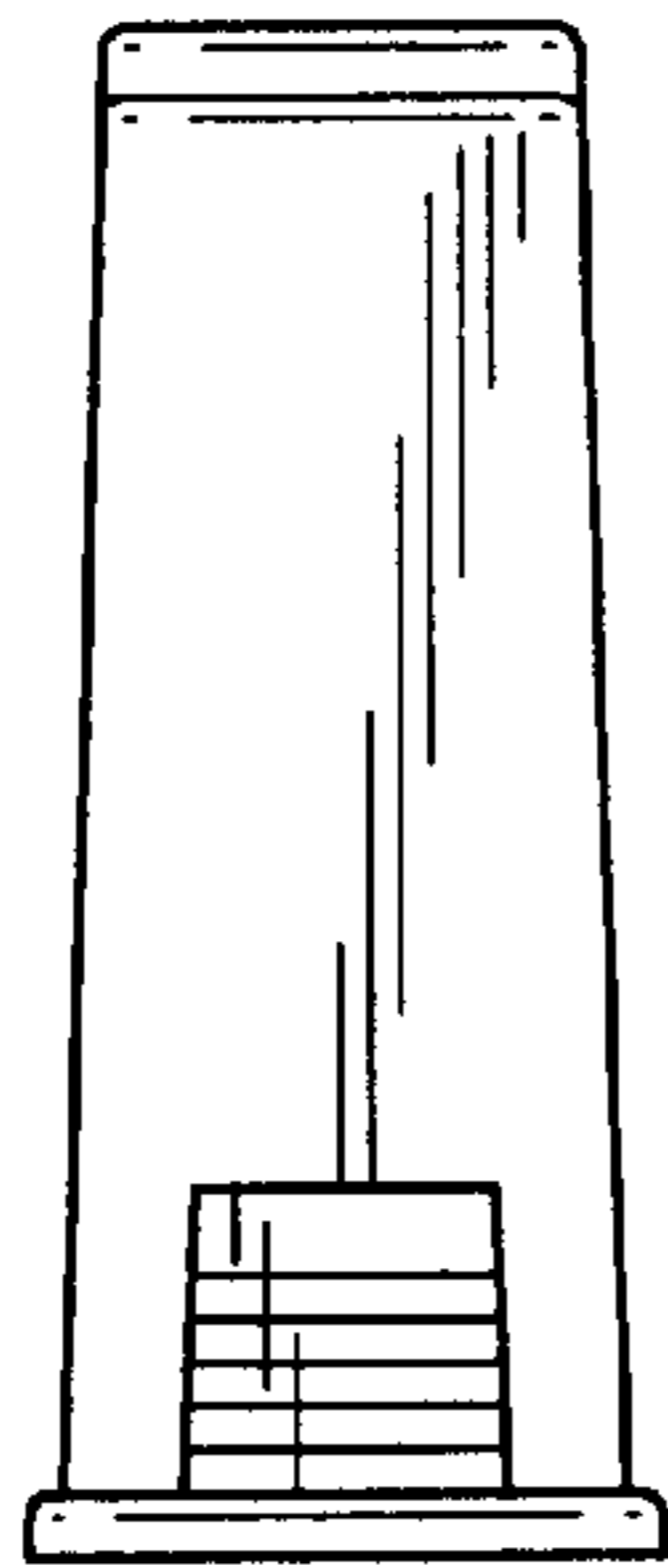


FIG. 3

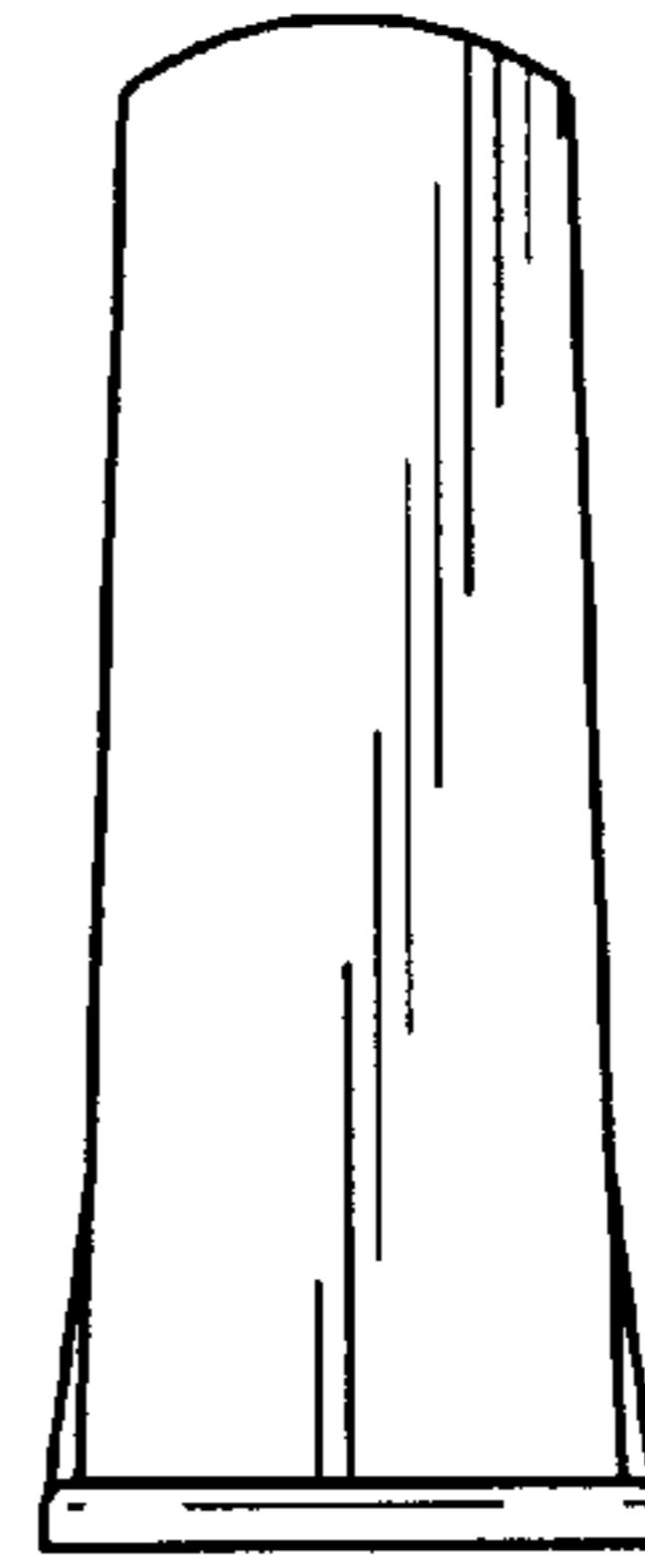


FIG. 4

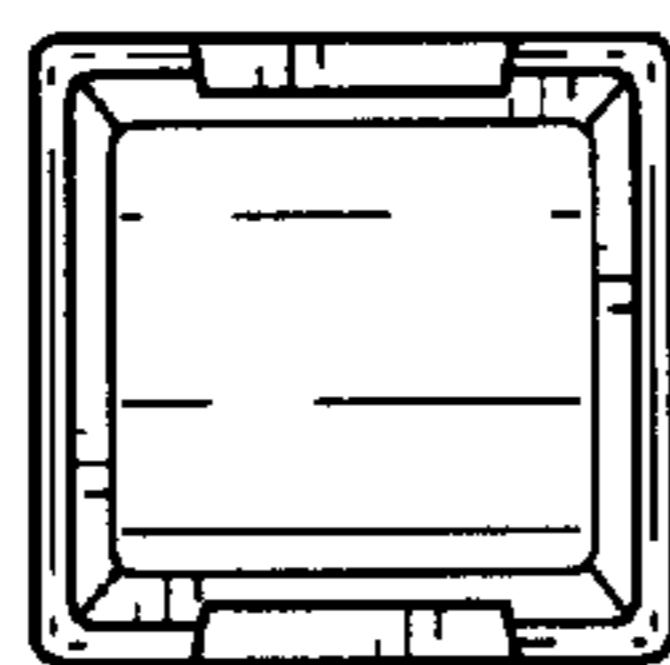


FIG. 5

