



US00D480361S

(12) **United States Design Patent**
Lee

(10) **Patent No.:** **US D480,361 S**

(45) **Date of Patent:** **** Oct. 7, 2003**

(54) **GROUNDING CASING FOR ELECTRIC FACILITY**

(75) Inventor: **Hsiao Lung Lee**, Chong Ho (TW)

(73) Assignee: **Tiger Technology Inc.**, Taipei (TW)

(**) Term: **14 Years**

(21) Appl. No.: **29/150,637**

(22) Filed: **Nov. 20, 2001**

(51) **LOC (7) Cl.** **13-03**

(52) **U.S. Cl.** **D13/133**

(58) **Field of Search** D13/133, 154;
D8/354; 439/65, 79, 95, 96, 108, 109, 581,
607, 939, 947, 620

(56) **References Cited**

U.S. PATENT DOCUMENTS

3,887,258	A	*	6/1975	Cunningham et al.	439/671
4,337,989	A	*	7/1982	Asick et al.	439/609
4,795,991	A	*	1/1989	Saito et al.	439/620 X
5,062,811	A	*	11/1991	Hackman	439/581 X
5,358,423	A	*	10/1994	Burkhard et al.	D13/133 X
5,557,068	A	*	9/1996	Chung	439/620 X
5,643,008	A	*	7/1997	Tan et al.	439/541.5

6,007,347	A	*	12/1999	Keldsen et al.	439/63
6,099,327	A	*	8/2000	Chen	439/95
6,283,771	B1	*	9/2001	Mitchell et al.	439/95
D459,306	S	*	6/2002	Malin	D13/133

* cited by examiner

Primary Examiner—Joel Sincavage

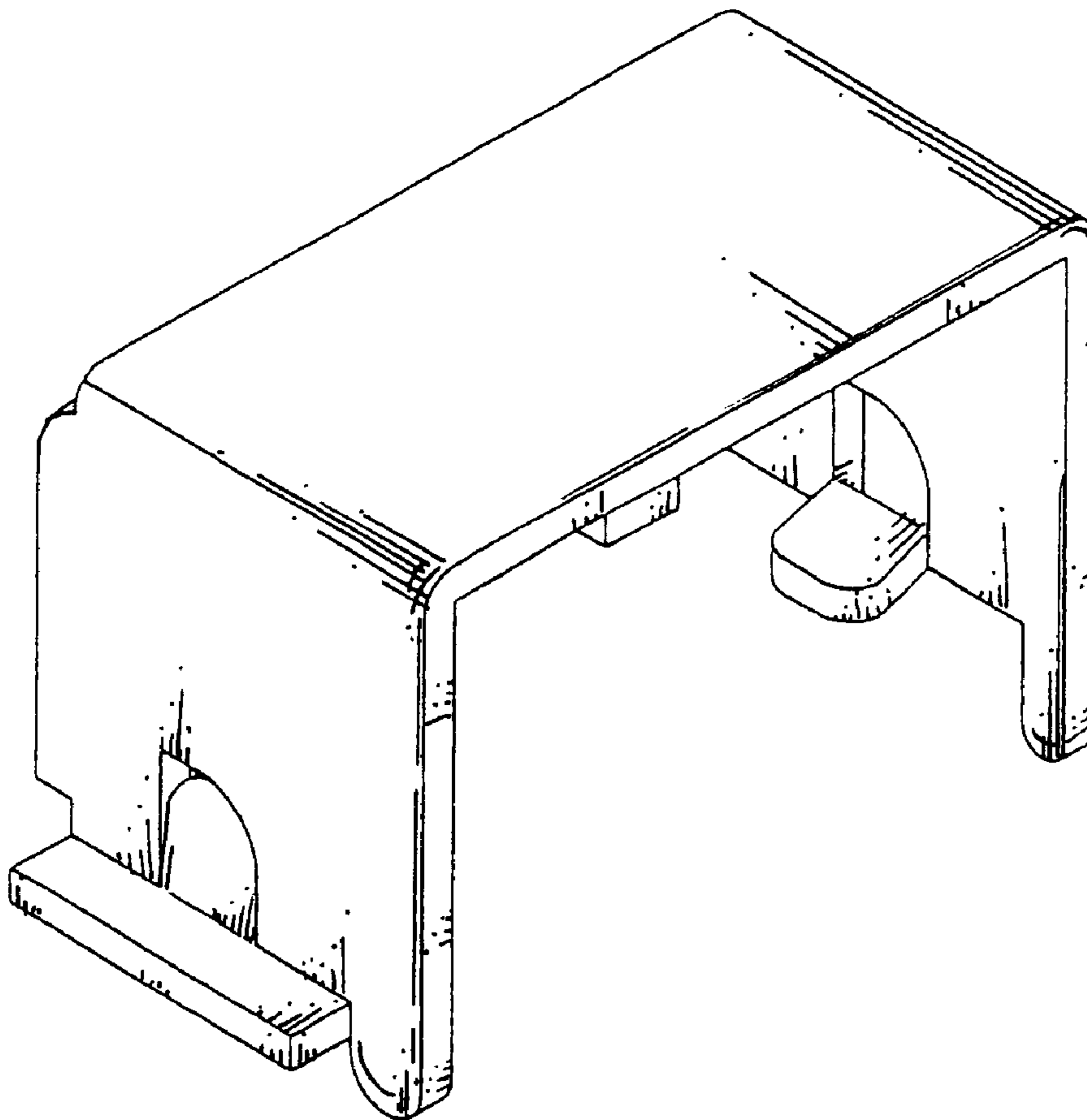
(57) **CLAIM**

The ornamental design for a grounding casing for electric facility, as shown and described.

DESCRIPTION

FIG. 1 is a perspective view of a grounding casing for electric facility showing my new design; FIG. 2 is a front elevational view thereof; FIG. 3 is a rear elevational view thereof; FIG. 4 is a top plan view thereof; FIG. 5 is a bottom plan view thereof; FIG. 6 is a left side elevational view thereof; FIG. 7 is a right side elevational view thereof; and, FIG. 8 is a perspective view thereof, the board and the terminal depicted by means of broken lines being for illustrative purposes only and forming no part of the claimed design.

1 Claim, 3 Drawing Sheets



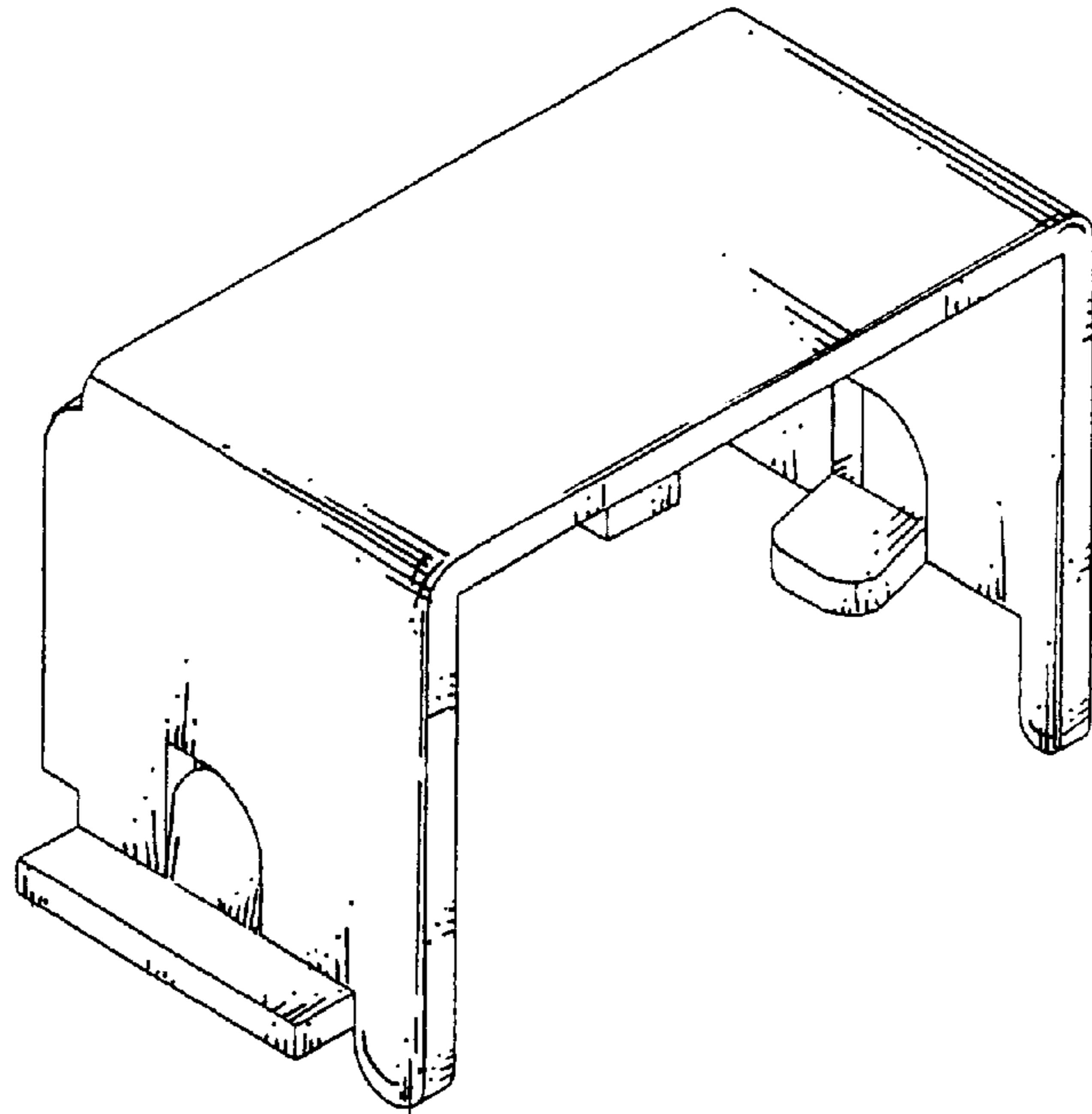


FIG. 1

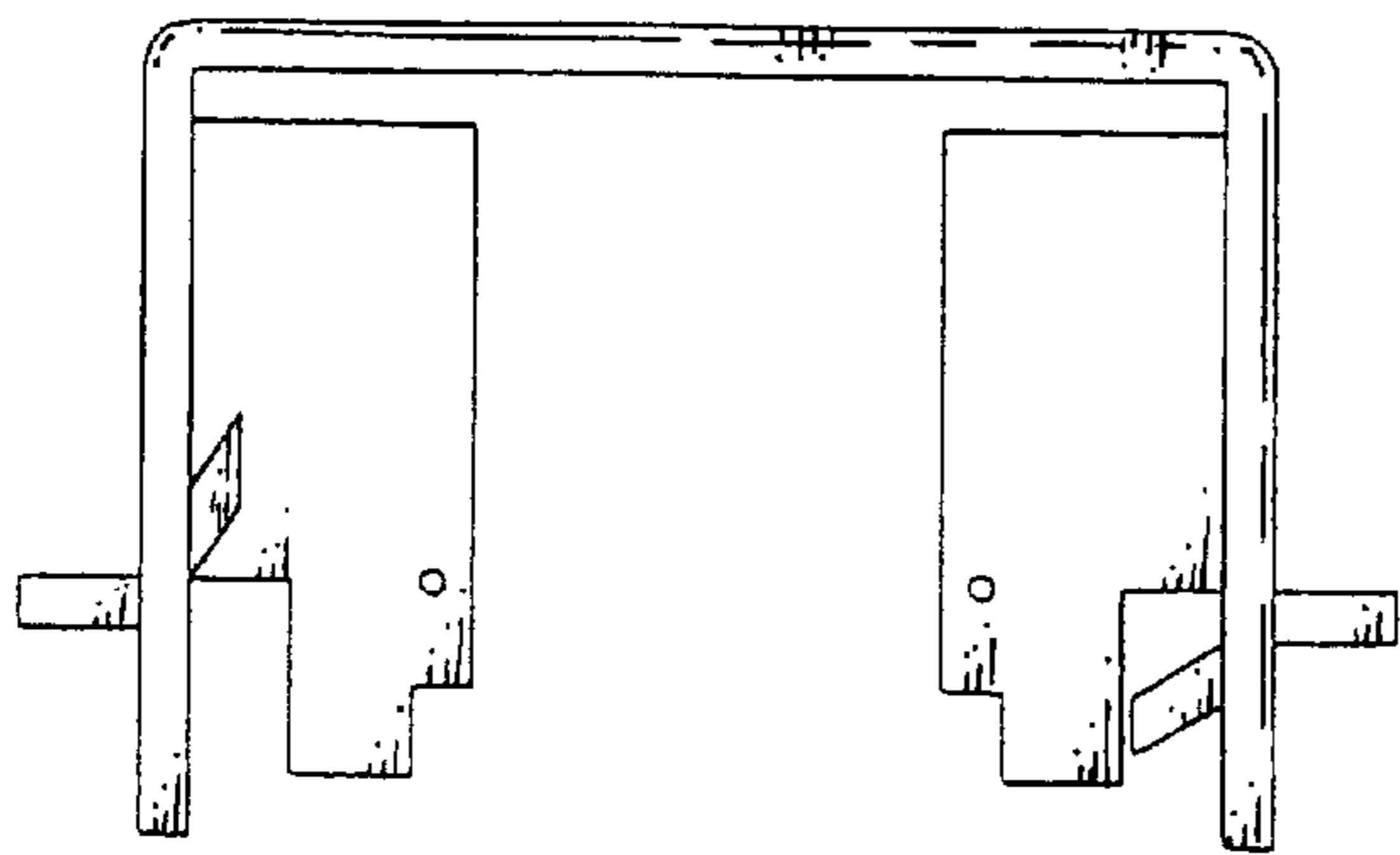


FIG. 2

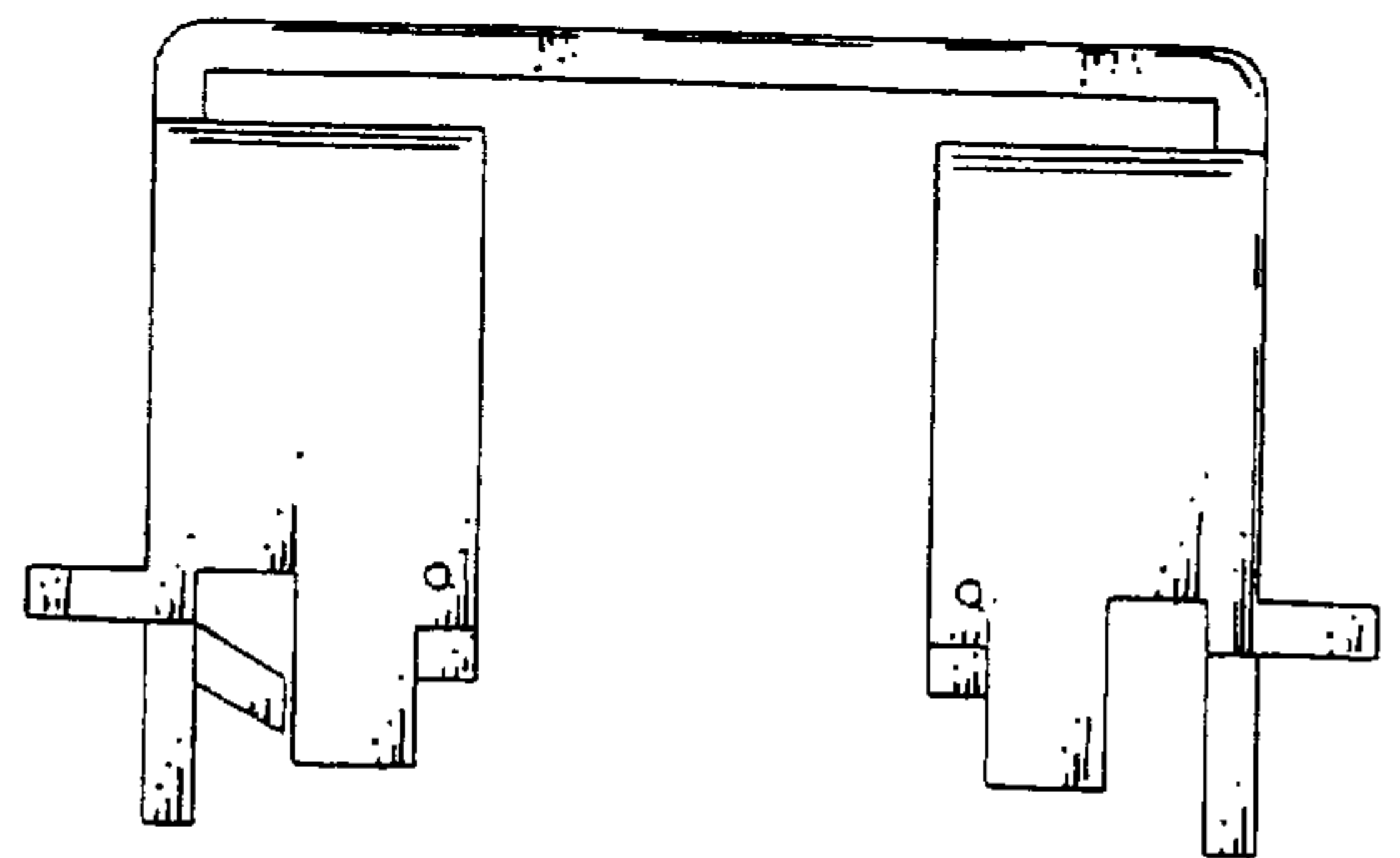


FIG. 3

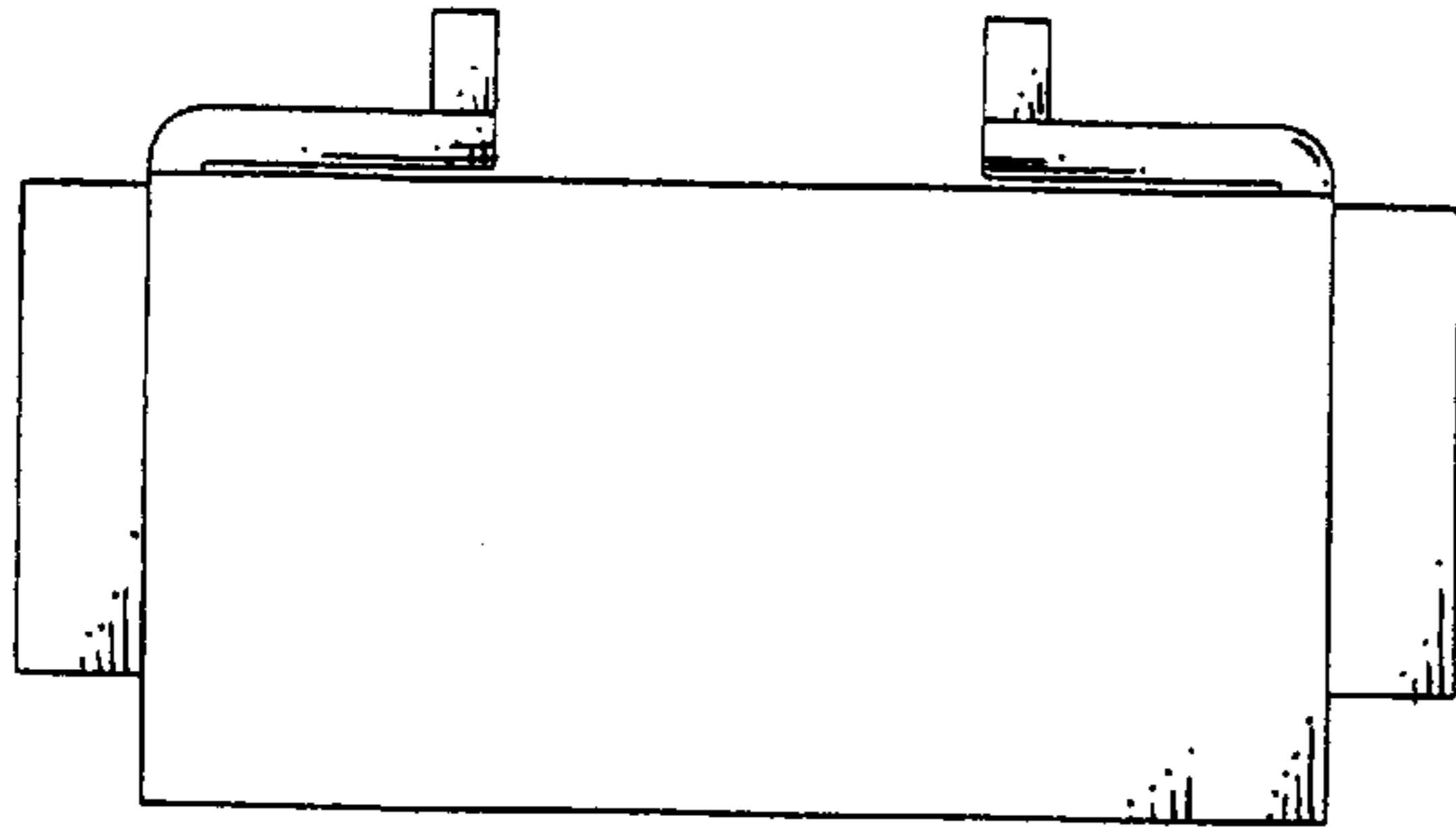


FIG. 4

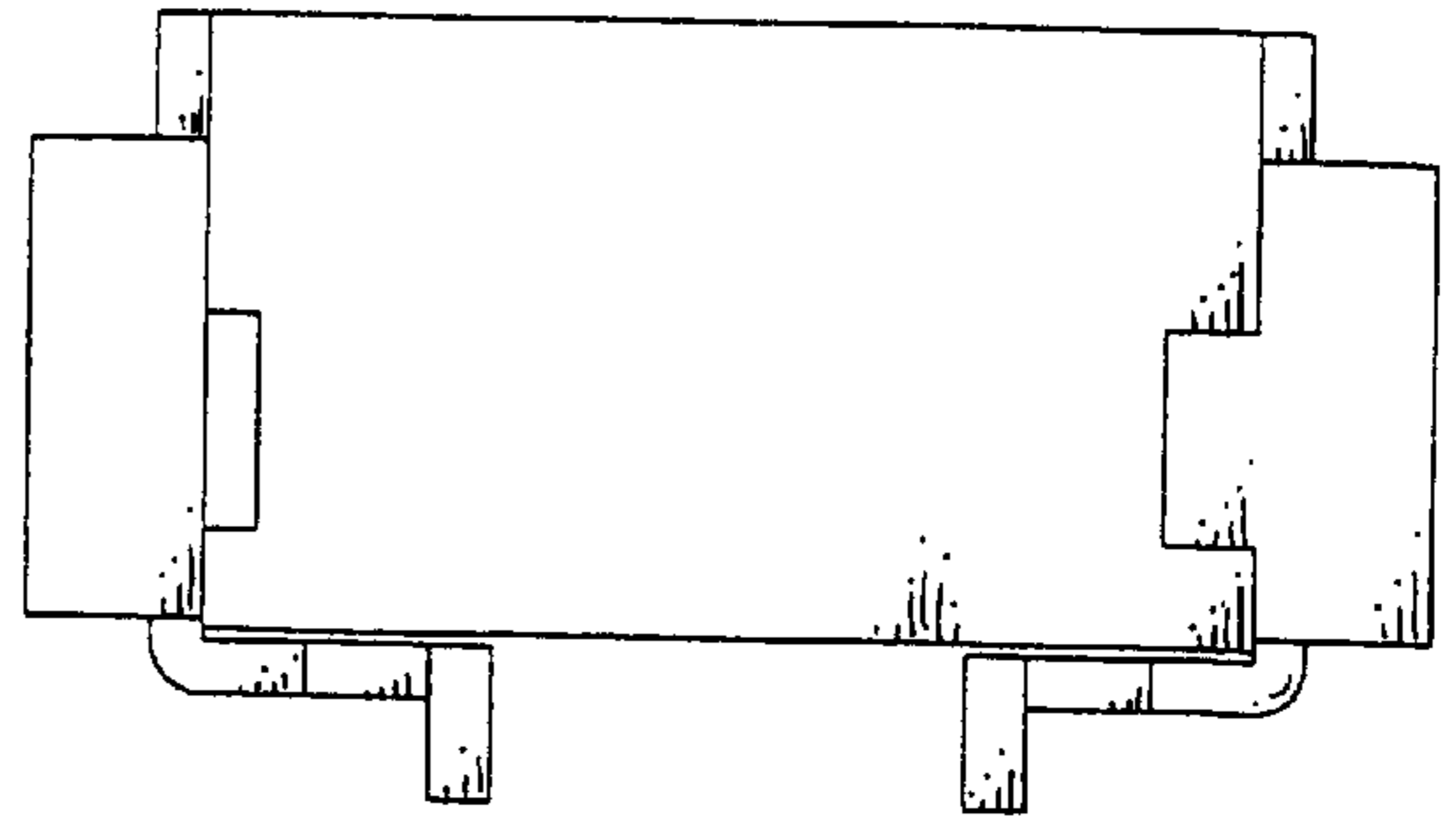


FIG. 5

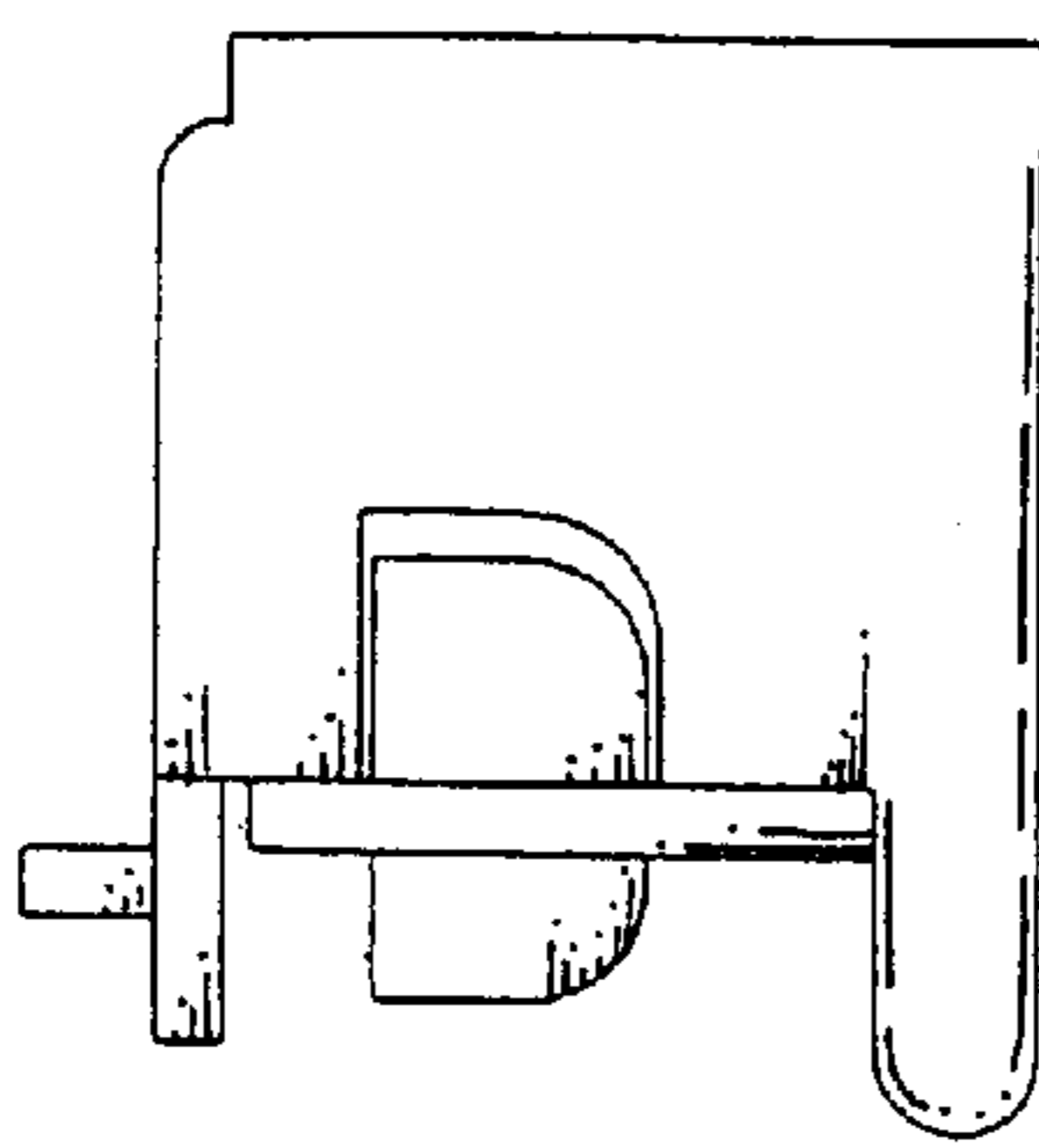


FIG. 6

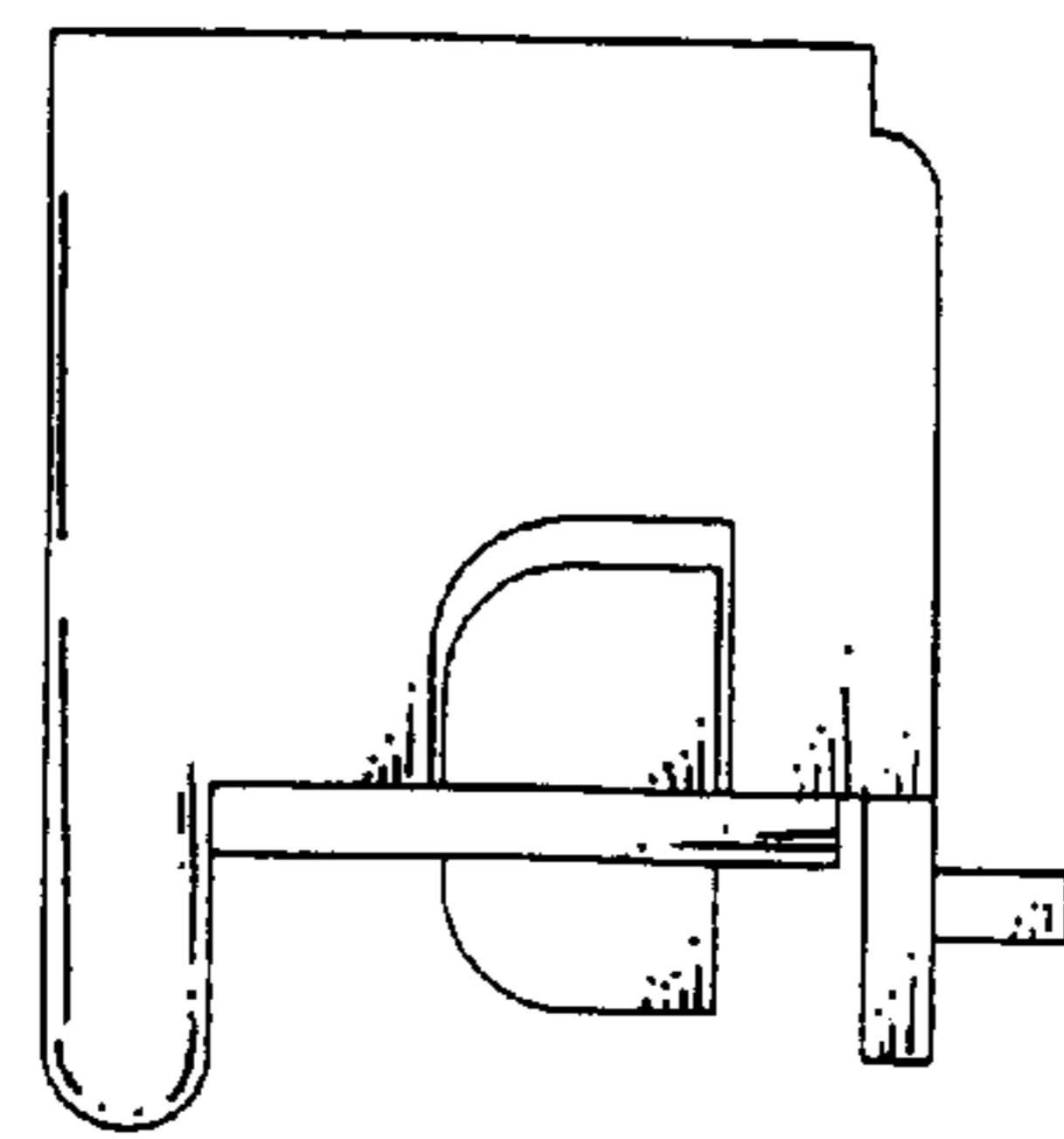


FIG. 7

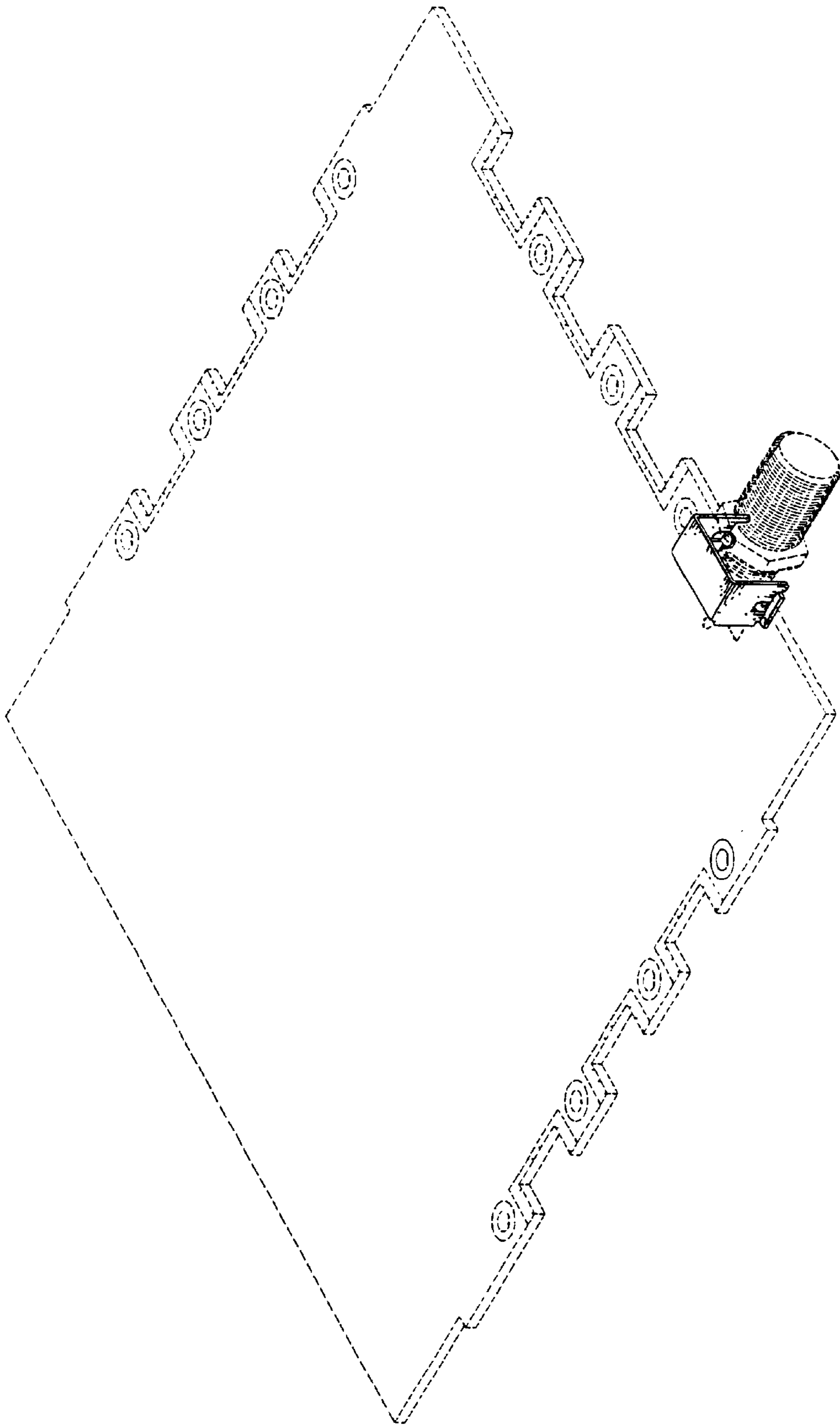


FIG. 8