



US00D480360S

(12) **United States Design Patent**  
**Bayly**

(10) **Patent No.:** **US D480,360 S**

(45) **Date of Patent:** **\*\* Oct. 7, 2003**

(54) **WIND POWERED GENERATOR**

(76) Inventor: **Elliott Bayly**, 1302 W. 5th St., Duluth, MN (US) 55806

(\*\*) Term: **14 Years**

(21) Appl. No.: **29/156,099**

(22) Filed: **Feb. 20, 2002**

(51) **LOC (7) Cl.** ..... **13-01**

(52) **U.S. Cl.** ..... **D13/115**

(58) **Field of Search** ..... D13/115; 416/12, 416/16, 13

(56) **References Cited**

**U.S. PATENT DOCUMENTS**

5,295,793 A \* 3/1994 Belden ..... 416/13

5,746,576 A \* 5/1998 Bayly ..... 416/16

**FOREIGN PATENT DOCUMENTS**

DE 3106624 A \* 9/1982 ..... F03D/7/00

JP 11002178 A \* 1/1999 ..... F03D/11/04

\* cited by examiner

*Primary Examiner*—Holly Baynham

(74) *Attorney, Agent, or Firm*—Larkin, Hoffman, Daly & Lindgren, Ltd.; Frederick W. Niebuhr, Esq.

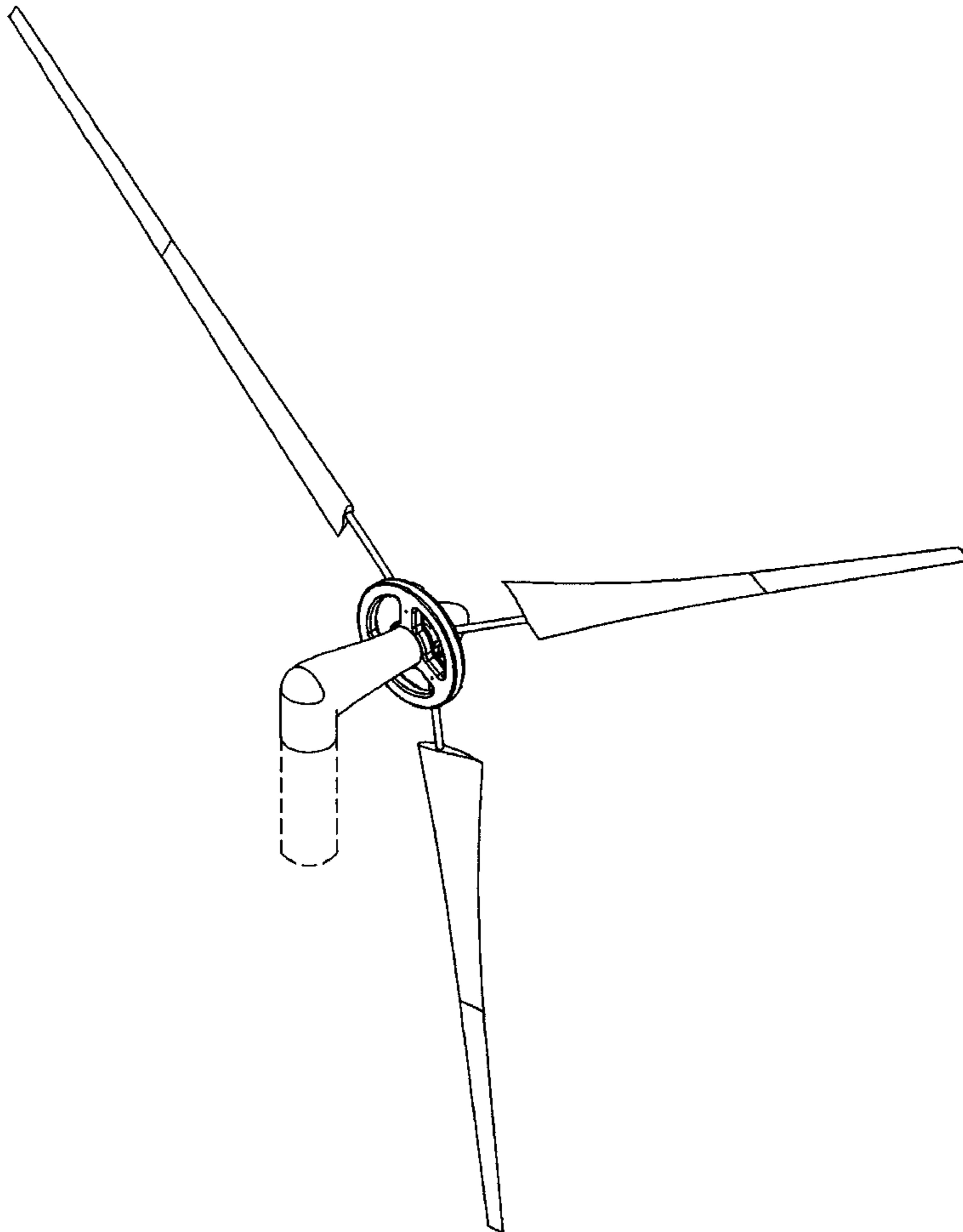
(57) **CLAIM**

The ornamental design for a wind powered generator, as shown and described.

**DESCRIPTION**

FIG. 1 is a front perspective view of the wind powered generator showing my new design; FIG. 2 is a rear perspective view thereof; FIG. 3 is a front elevational view thereof; FIG. 4 is a rear elevational view thereof; FIG. 5 is a left side elevation thereof; FIG. 6 is a right side elevation thereof; FIG. 7 is a top plan view thereof; FIG. 8 is a bottom plan view thereof; and, FIG. 9 is an enlarged partial front perspective view thereof. The broken lines in certain figures are for illustrating a top end of a tower supporting the wind powered generator, and do not form a part of the claimed design. The vanes are shown broken away in FIG. 9 for ease of illustration.

**1 Claim, 9 Drawing Sheets**



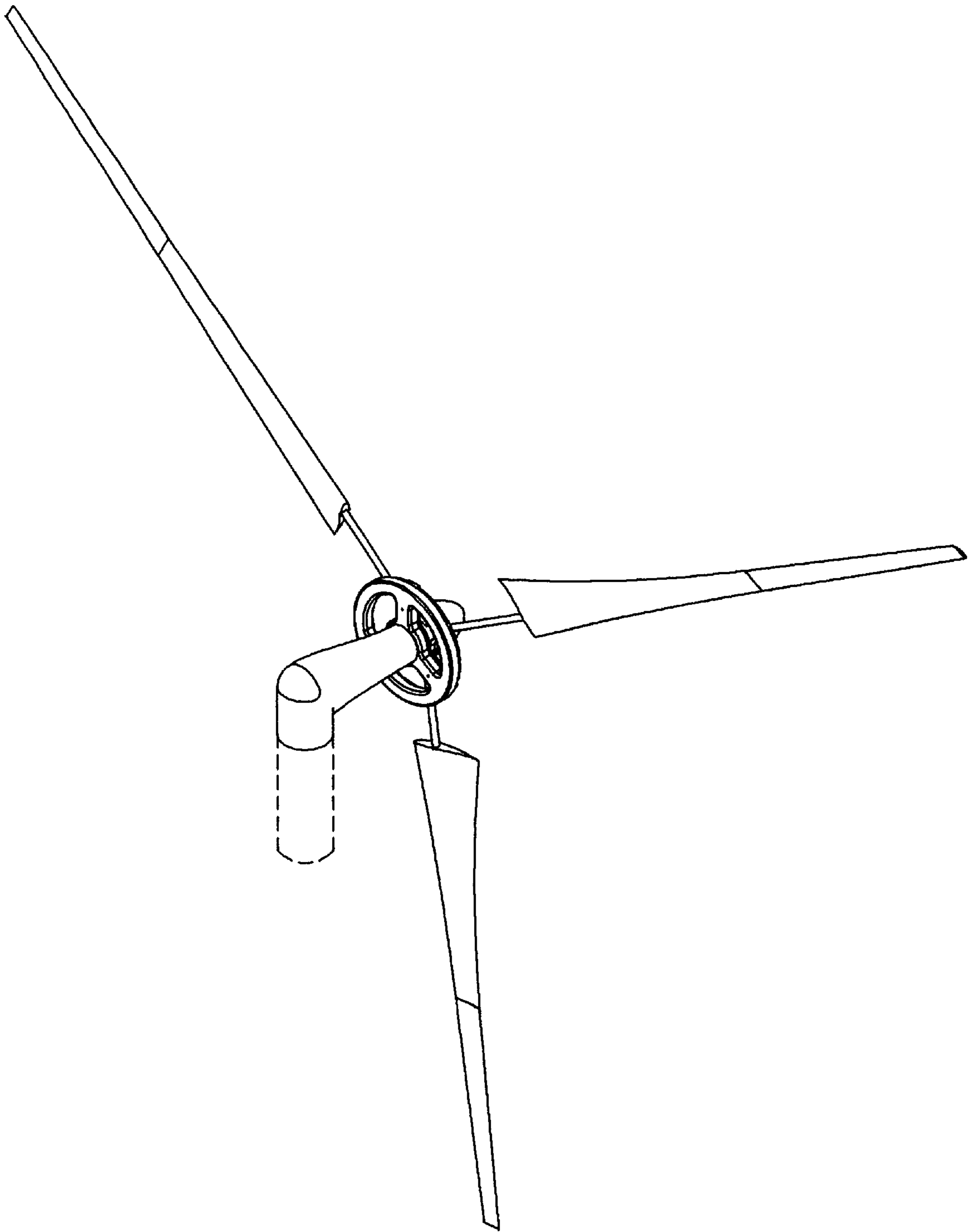


FIG. 1

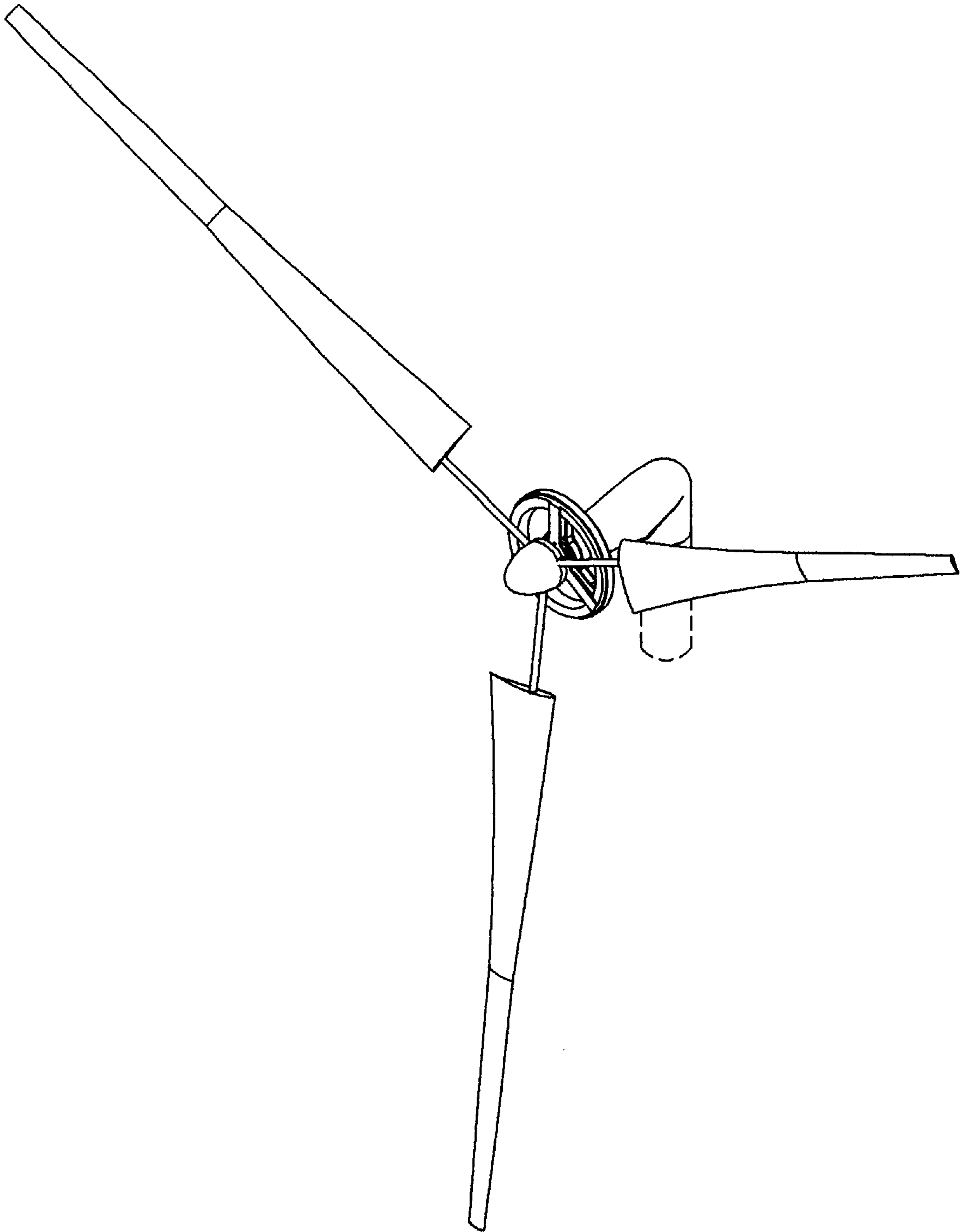


FIG. 2

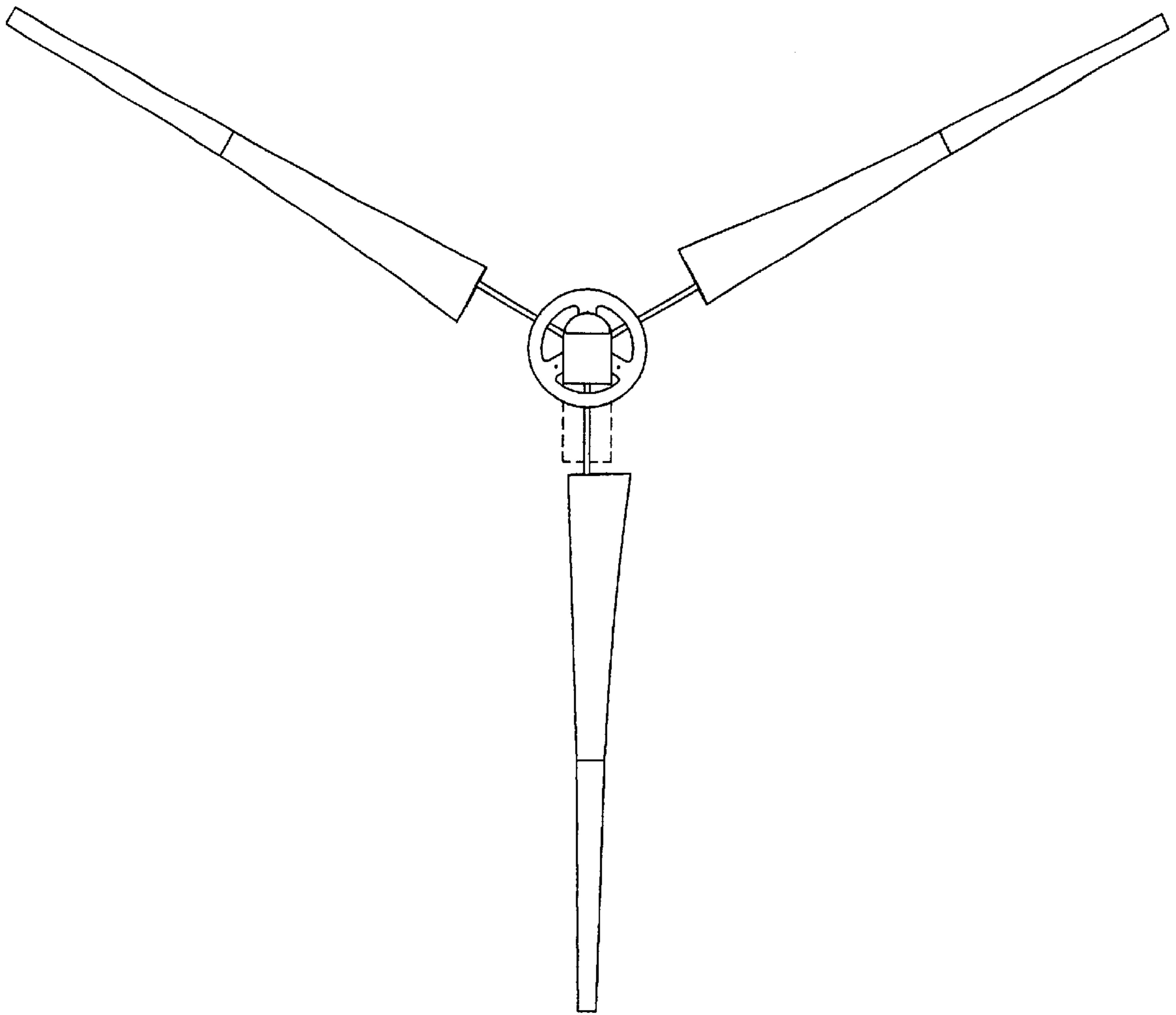


FIG. 3

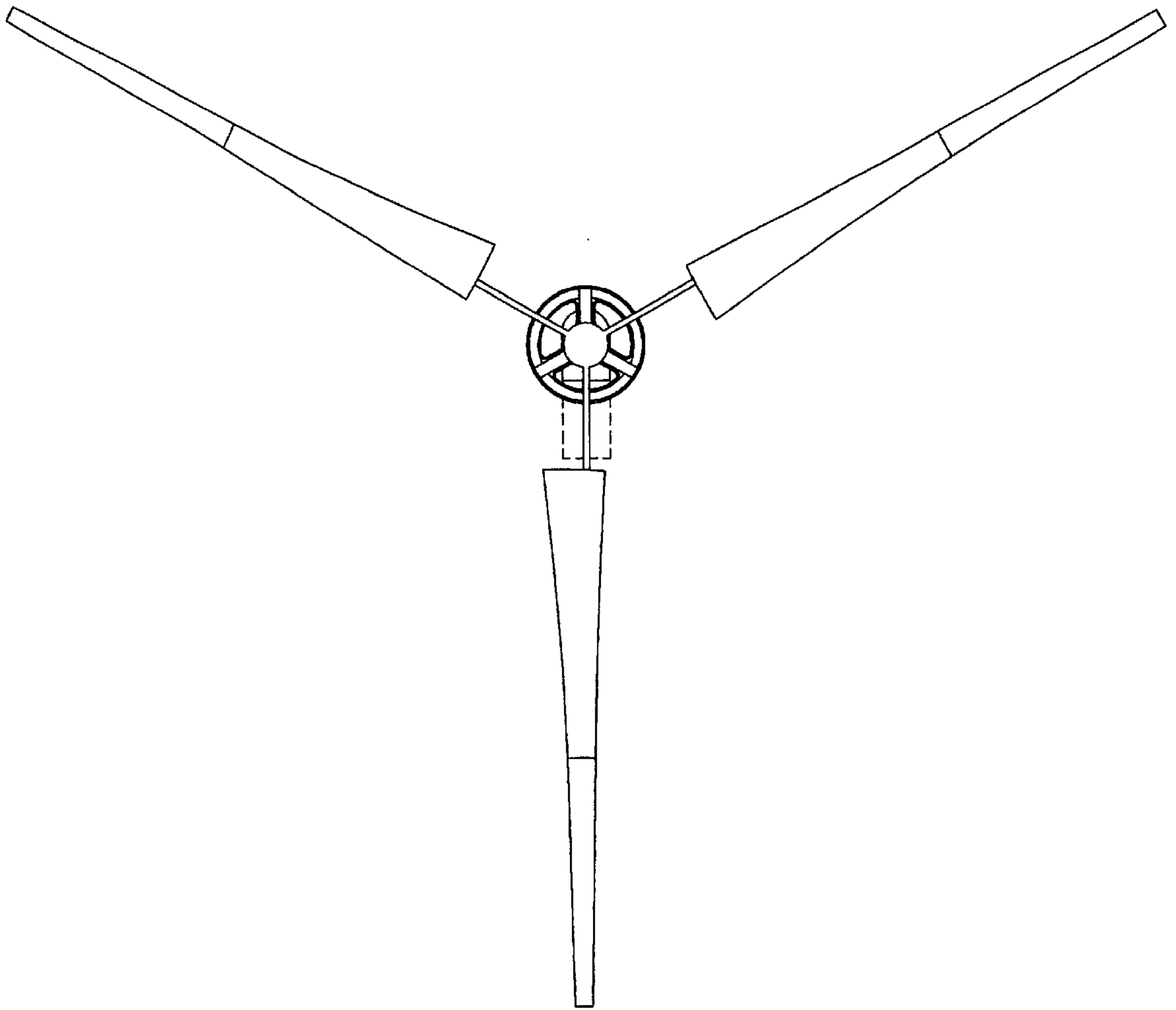


FIG. 4

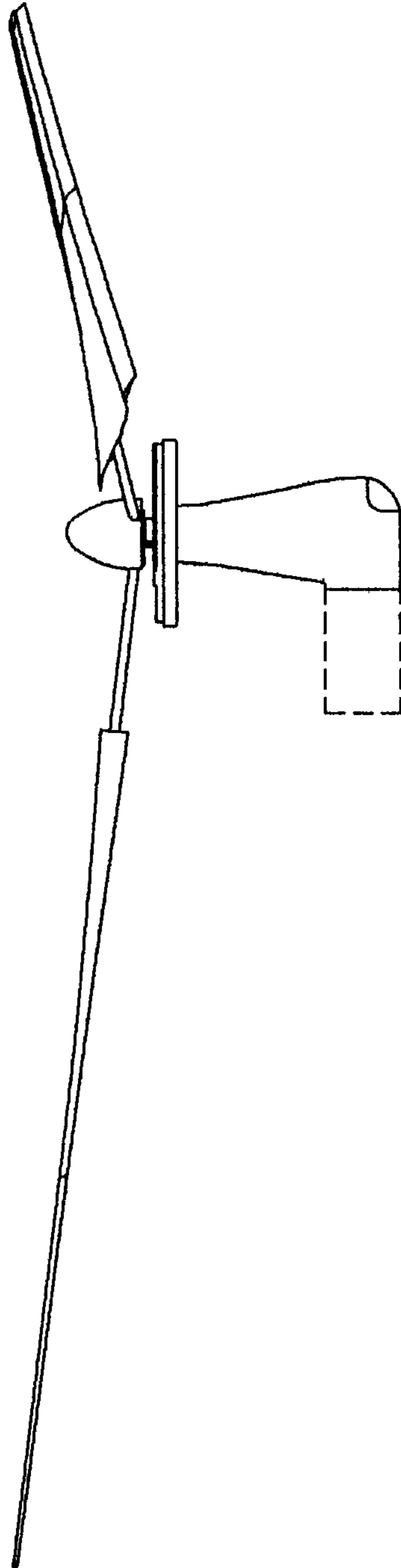


FIG. 5

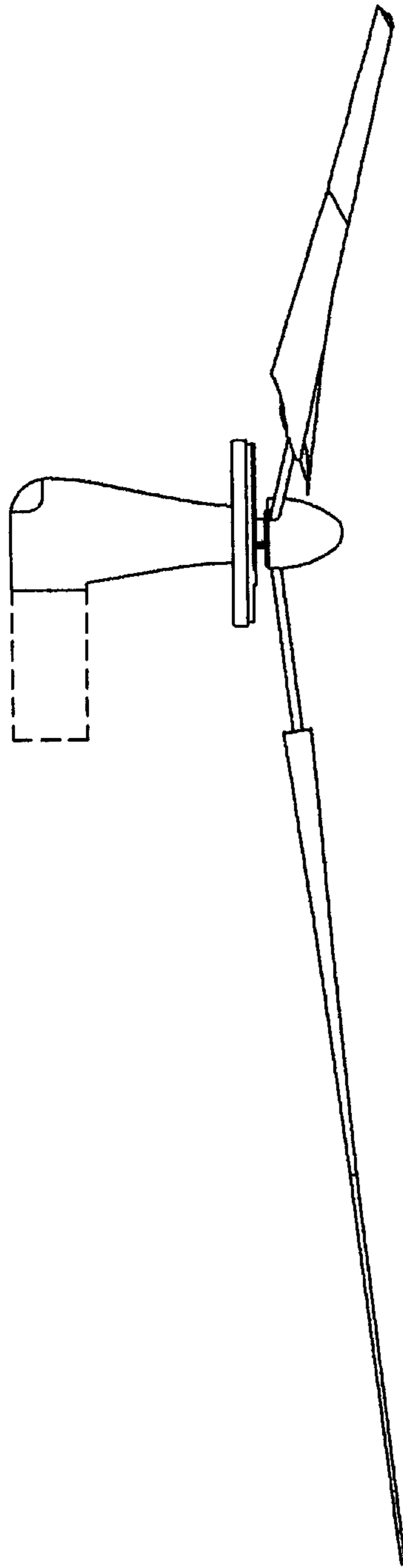


FIG. 6

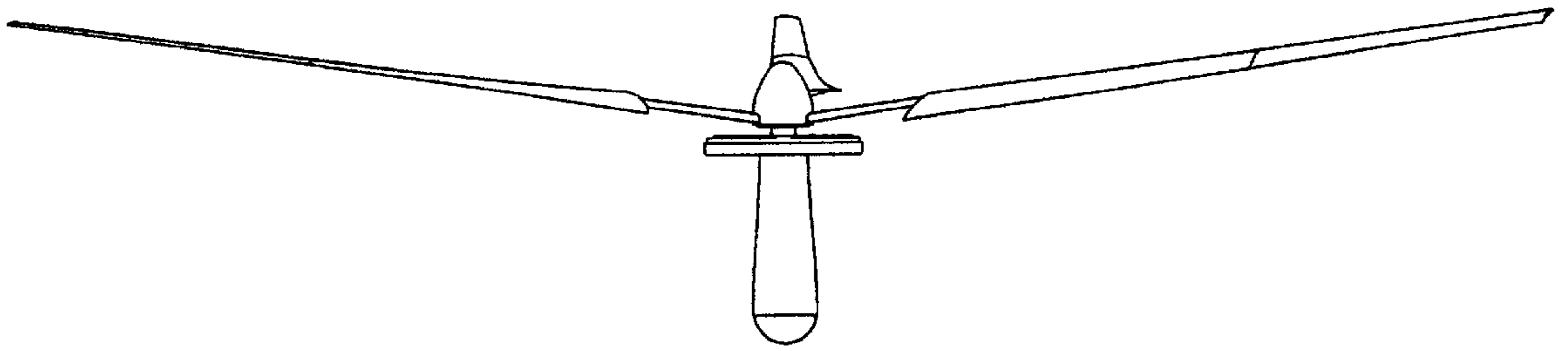


FIG. 7



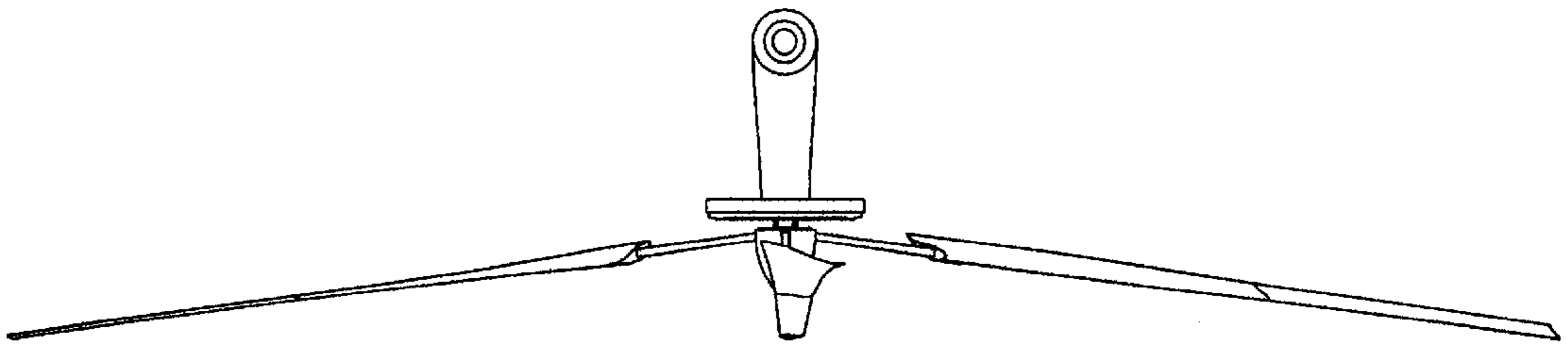


FIG. 8

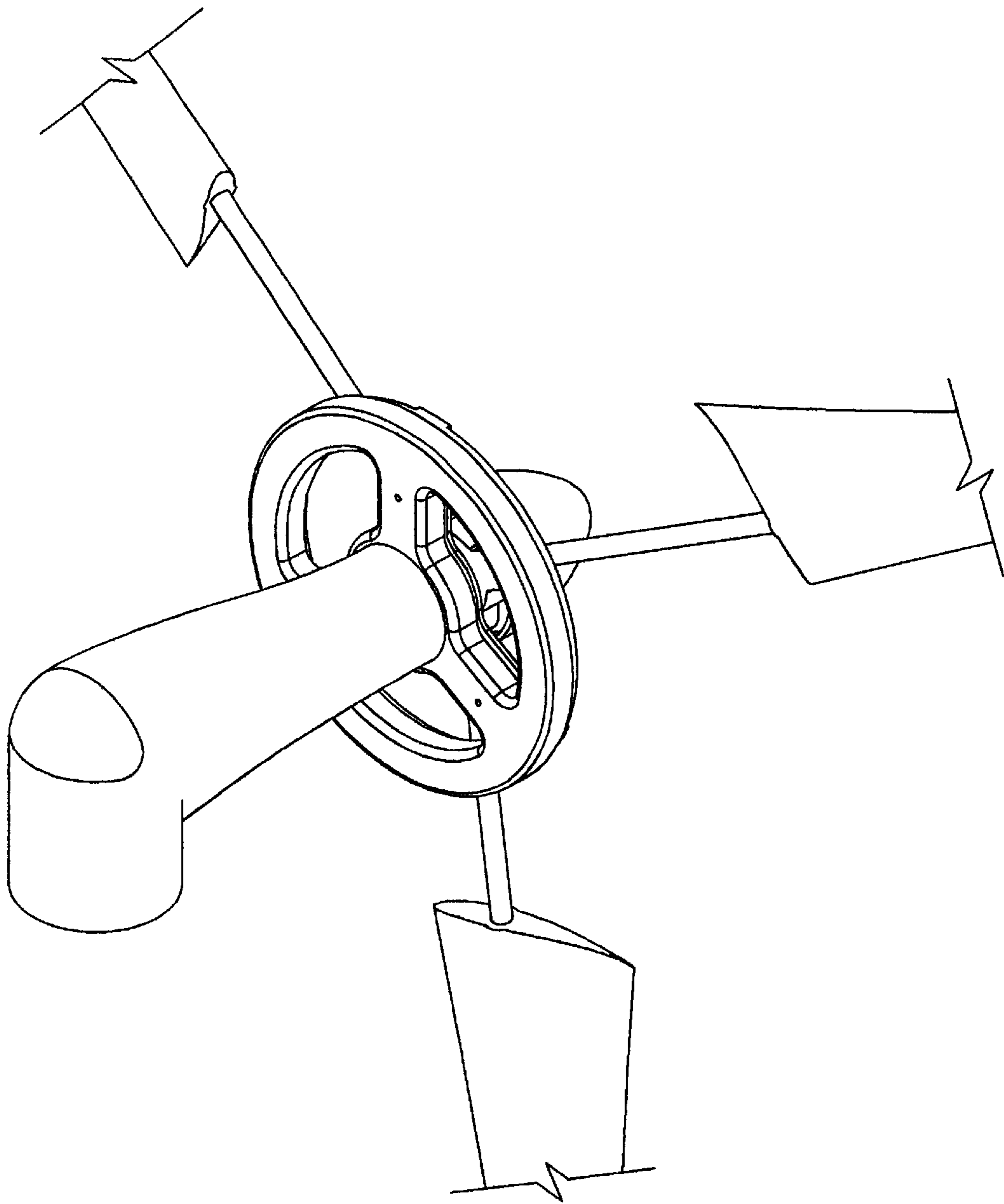


FIG. 9