



US00D480359S

(12) **United States Design Patent**  
**Yamada et al.**

(10) **Patent No.:** **US D480,359 S**

(45) **Date of Patent:** **\*\* Oct. 7, 2003**

(54) **ENGINE GENERATOR**

(75) Inventors: **Masao Yamada**, Mikata-gun (JP);  
**Susumu Torii**, Mikata-gun (JP)

(73) Assignee: **Denyo Co., Ltd.**, Tokyo (JP)

(\*\*) Term: **14 Years**

(21) Appl. No.: **29/158,926**

(22) Filed: **Apr. 11, 2002**

(51) **LOC (7) Cl.** ..... **13-01**

(52) **U.S. Cl.** ..... **D13/114**

(58) **Field of Search** ..... D13/110, 114,  
D13/116; D18/38-39, 53; 123/198 E, 2;  
290/1 B; 181/204

(56) **References Cited**

**U.S. PATENT DOCUMENTS**

4,495,901	A	*	1/1985	Nannini et al.	.....	123/2
D277,954	S	*	3/1985	Mizushima	.....	D13/114
5,899,174	A	*	5/1999	Anderson et al.	.....	123/2
D453,943	S	*	2/2002	Sasaki	.....	D18/39
2002/0000342	A1		1/2002	Yamada et al.	.....	181/204

\* cited by examiner

*Primary Examiner*—Holly Baynham

(74) *Attorney, Agent, or Firm*—Merchant & Gould P.C.

(57) **CLAIM**

The ornamental design for an engine generator, as shown.

**DESCRIPTION**

FIG. 1 is a front elevational view of an engine generator showing my new design;

FIG. 2 is a rear elevational view thereof;

FIG. 3 is a left side elevational view thereof;

FIG. 4 is a right side elevational view thereof;

FIG. 5 is a top plan view thereof;

FIG. 6 is a top plan view thereof showing the condition in which the door opened;

FIG. 7 is a front perspective view thereof;

FIG. 8 is a rear perspective view thereof; and,

FIG. 9 is a left side elevational view of reference indicating the transparent area thereof.

The claimed engine generator is a soundproof type engine generator, in which an engine driven type generator is accommodated in the condition of having stored in the bonnet. As shown in FIG. 3, a control panel is arranged at the front of the bonnet. In FIG. 9, Hatching is indicating the transparent area.

**1 Claim, 5 Drawing Sheets**

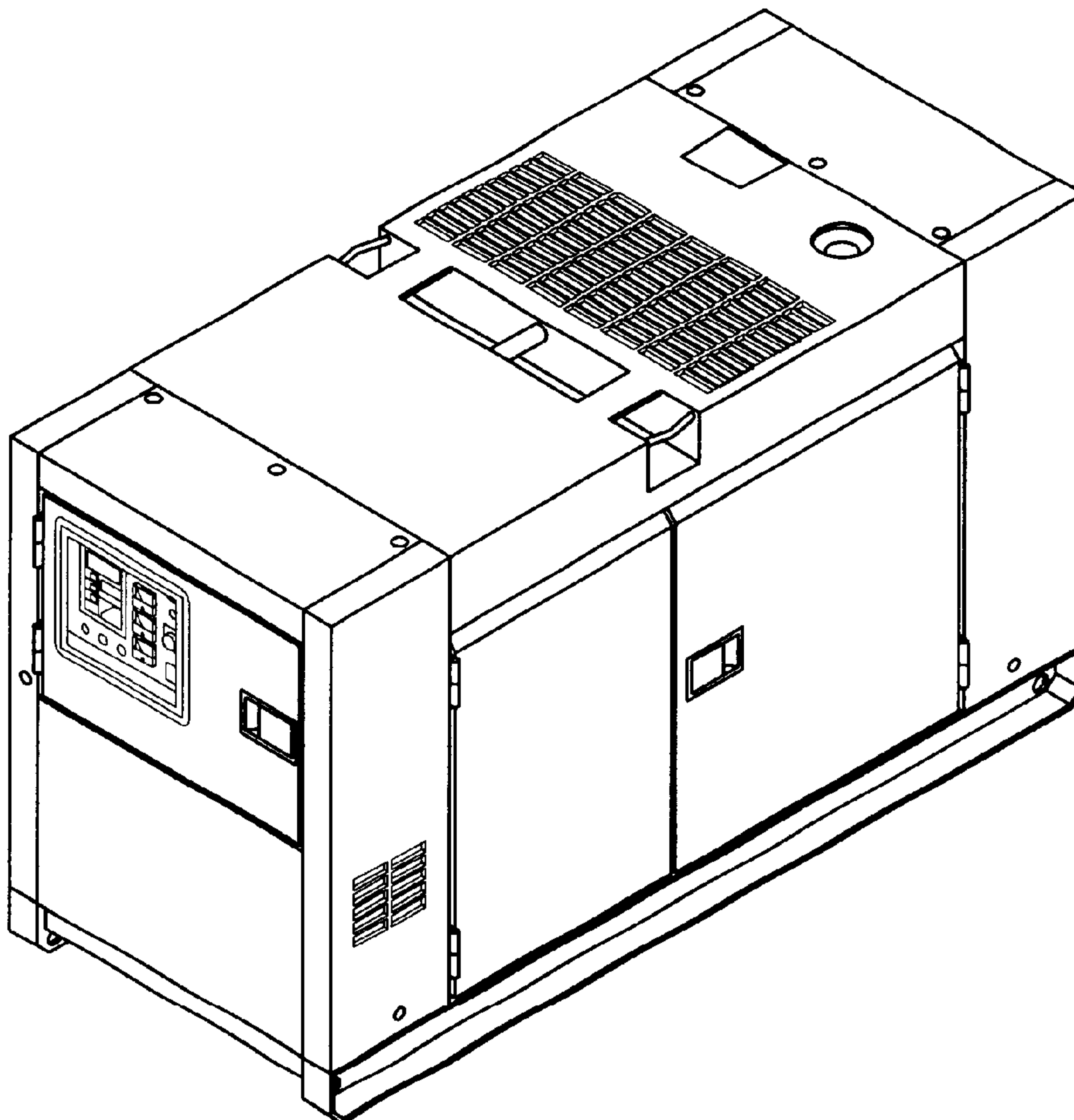


FIG.1

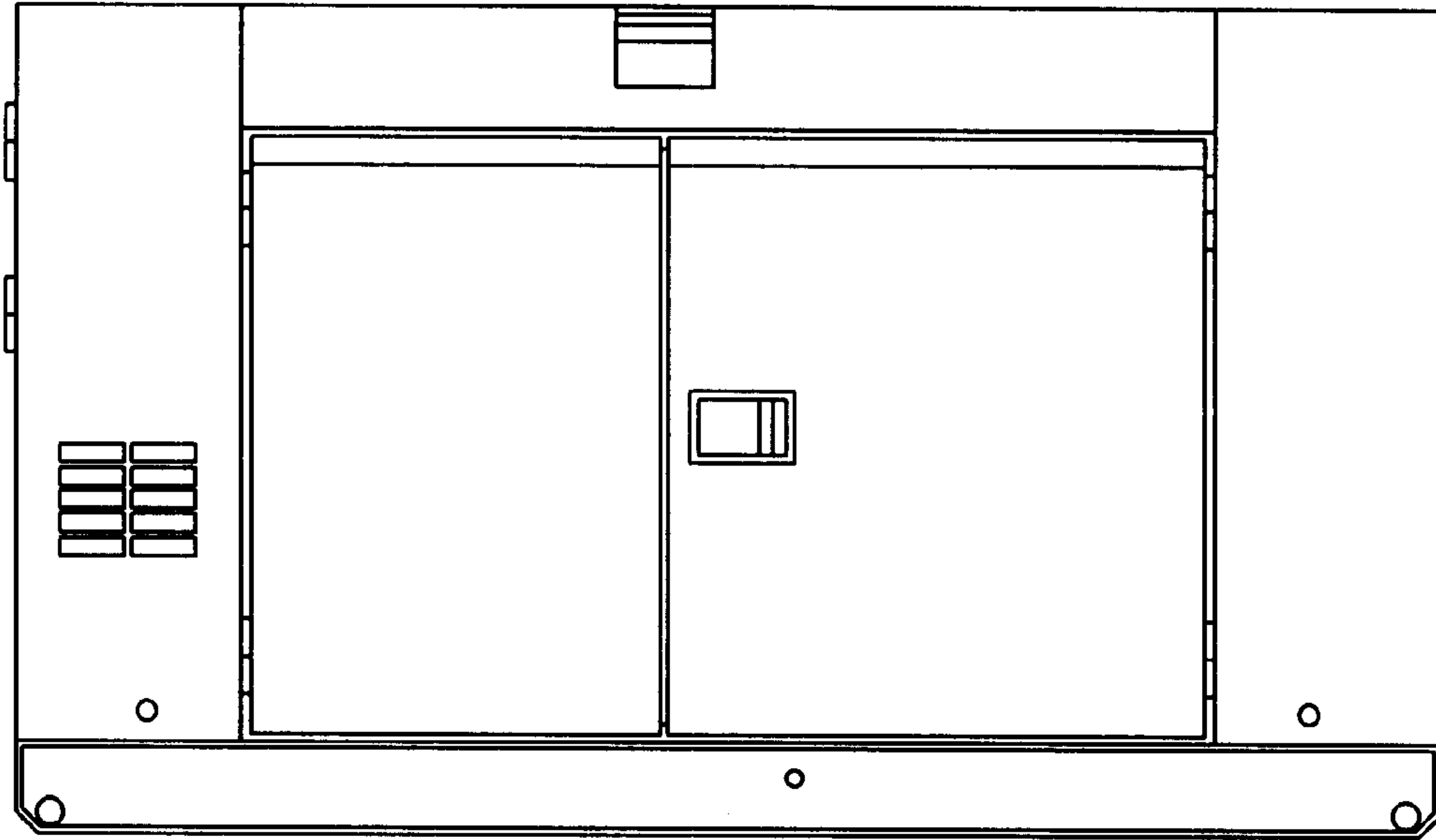


FIG.2

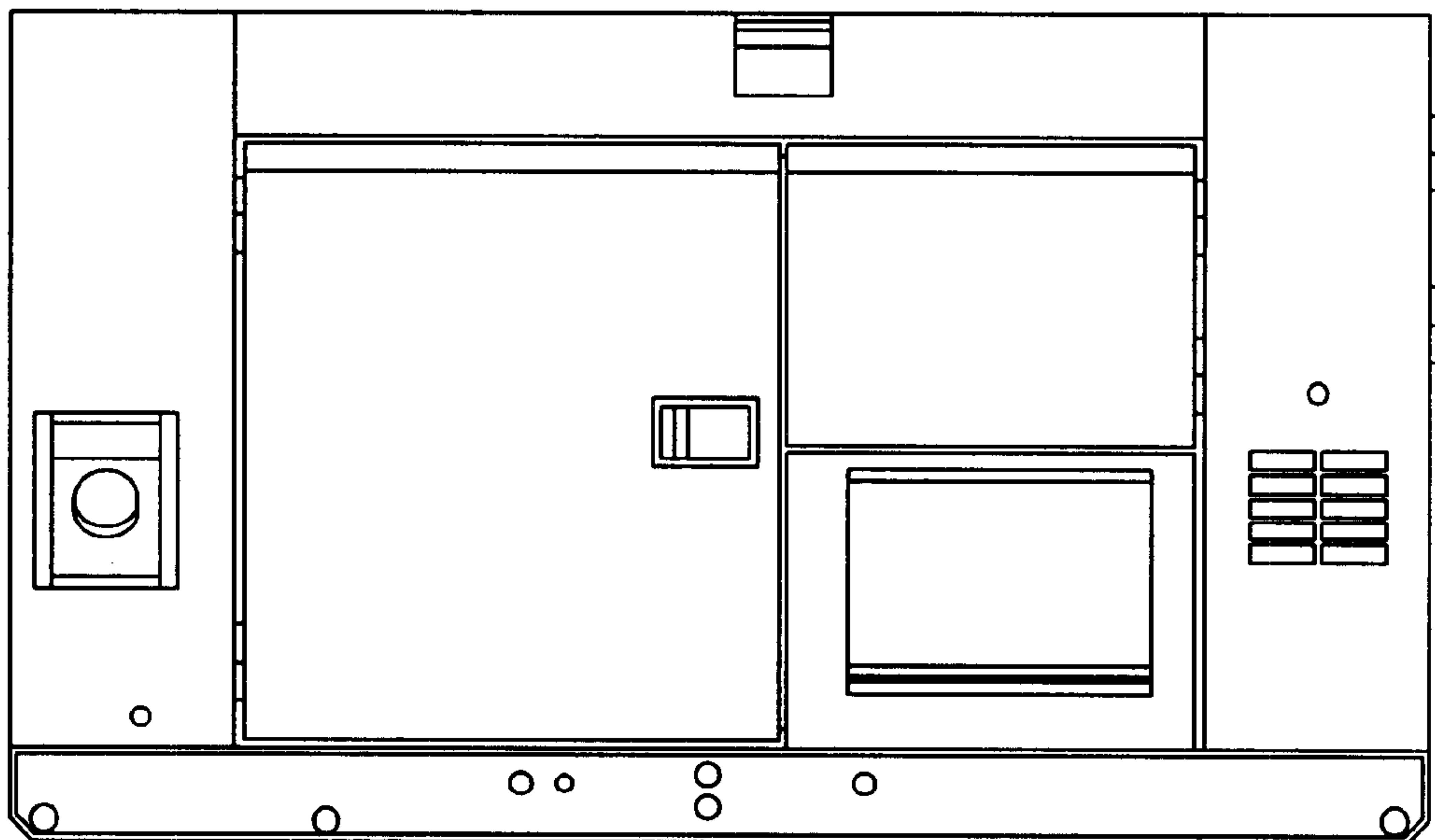


FIG. 3

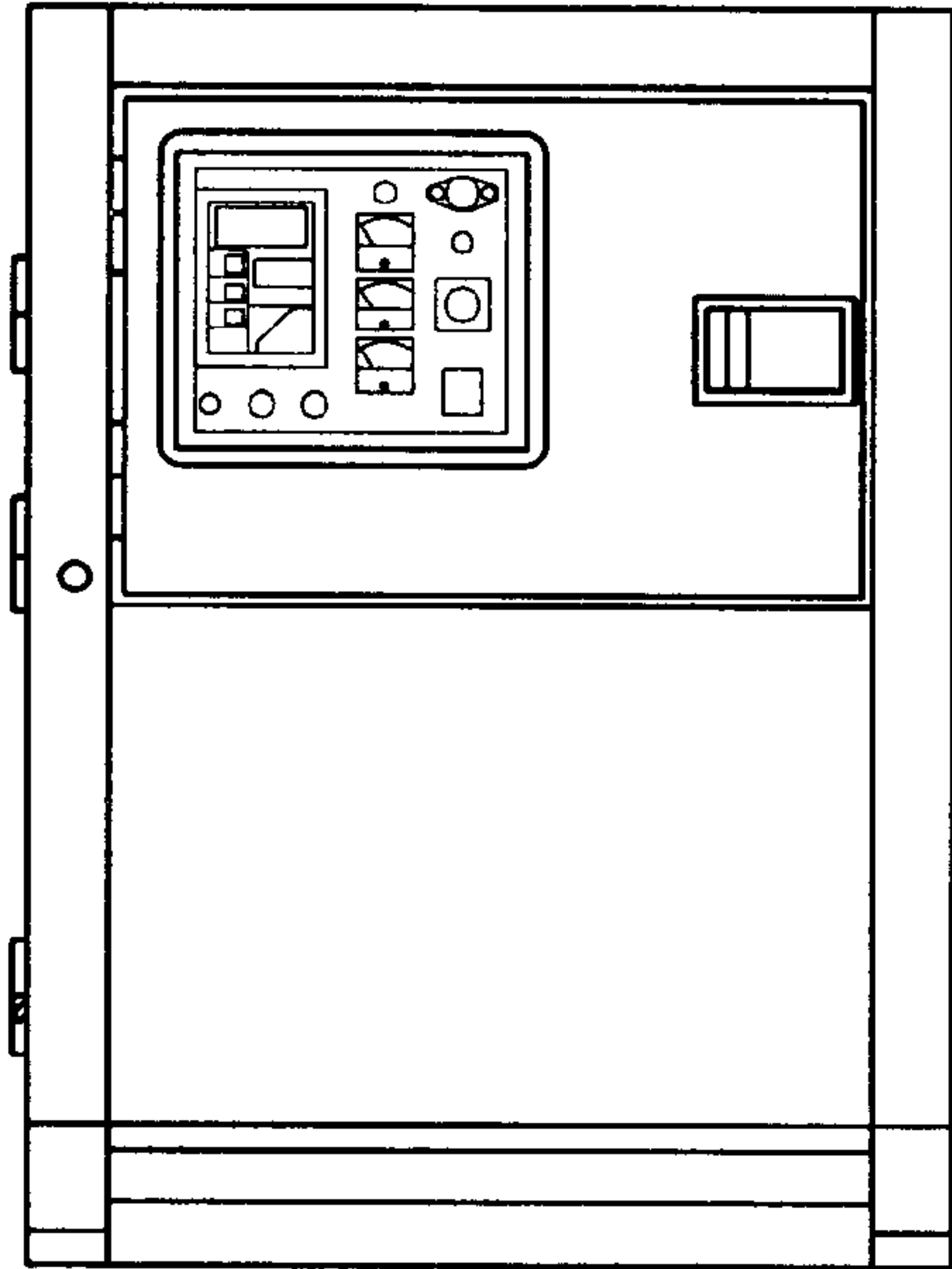


FIG. 4

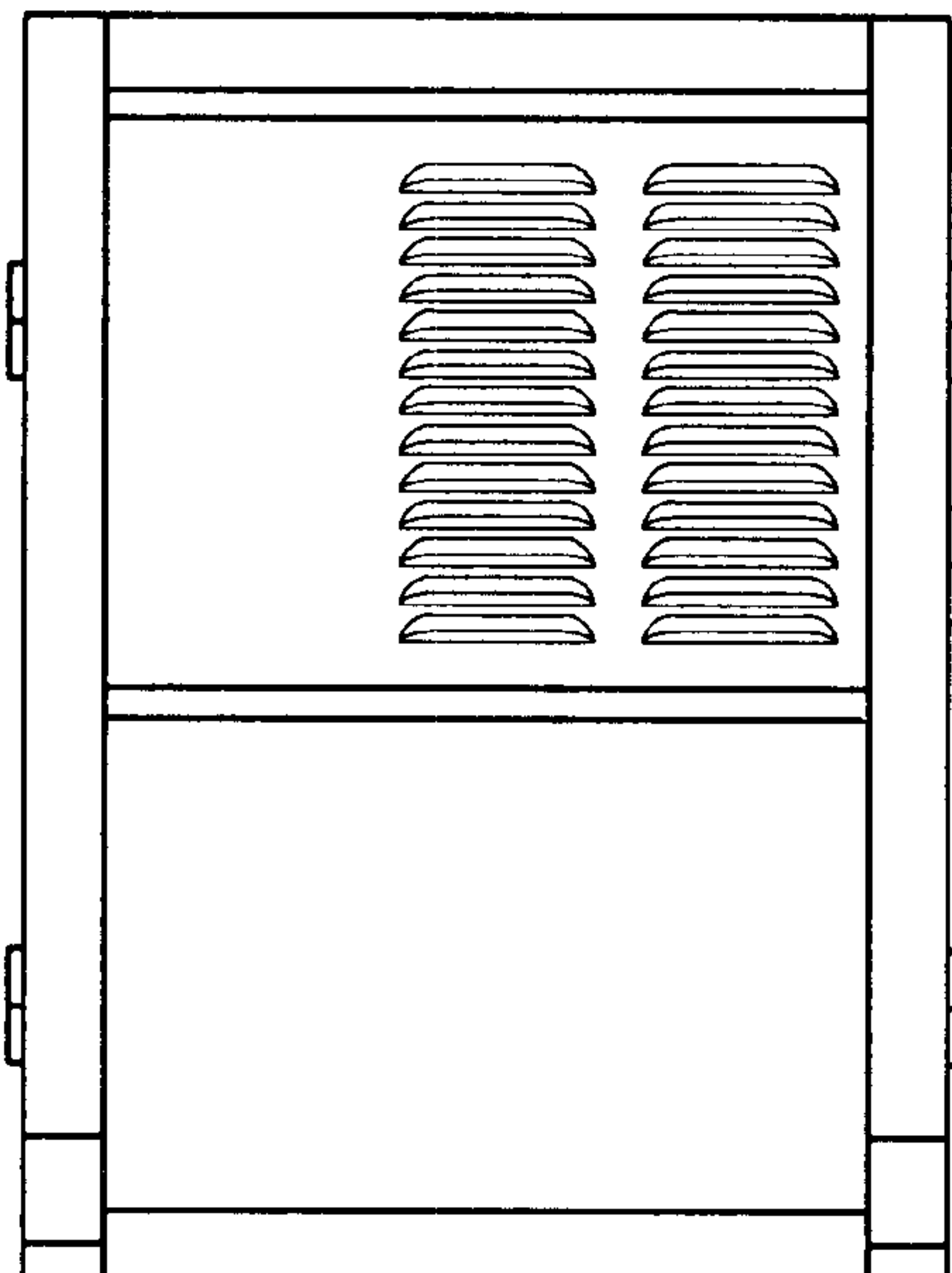


FIG. 5

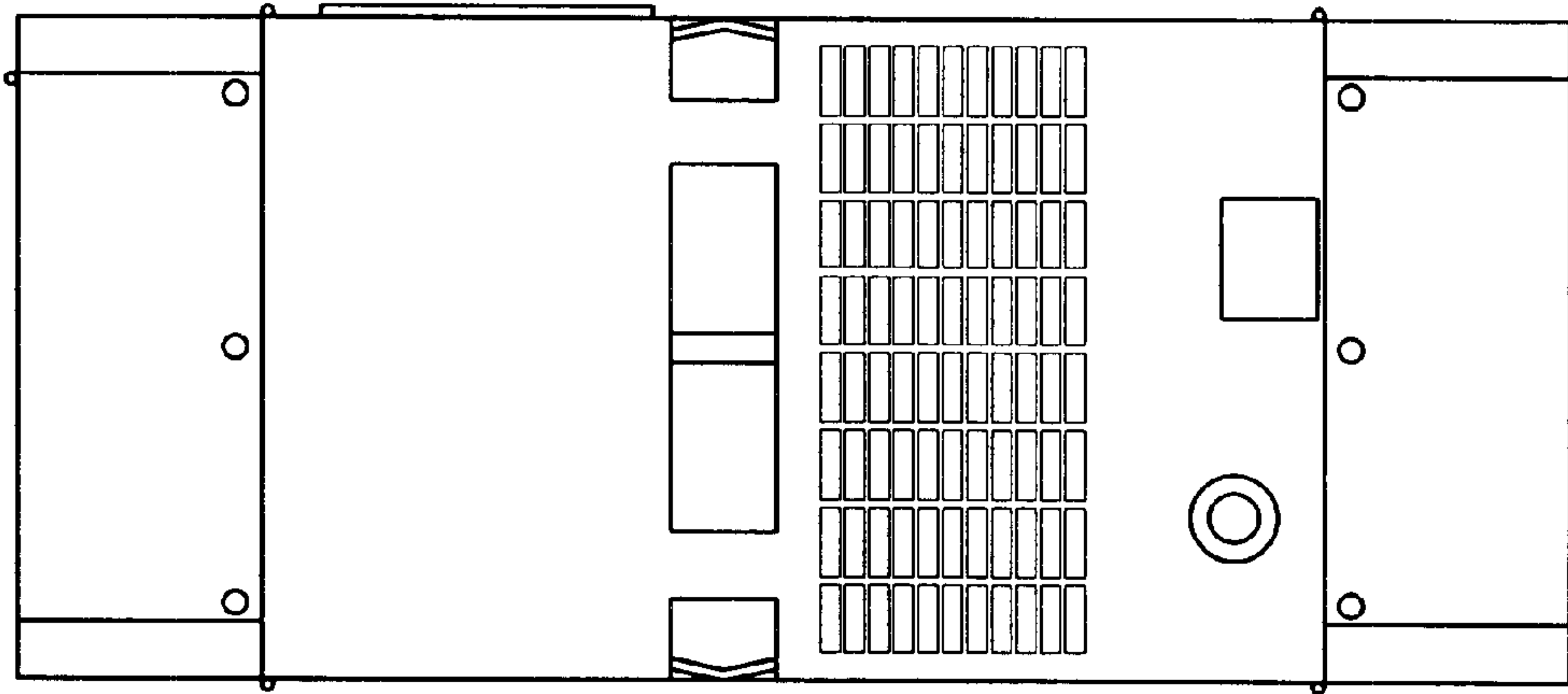


FIG. 6

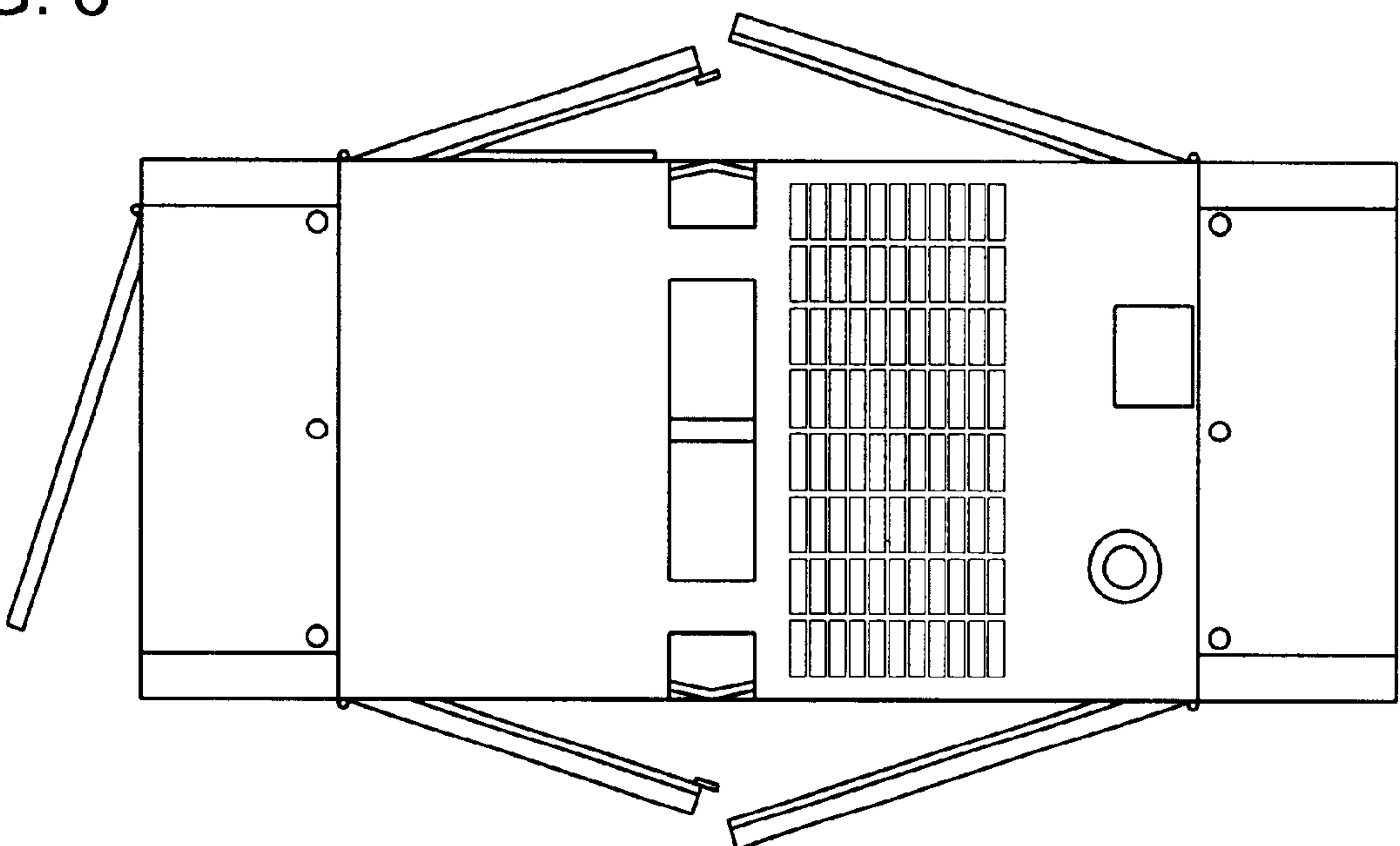


FIG. 7

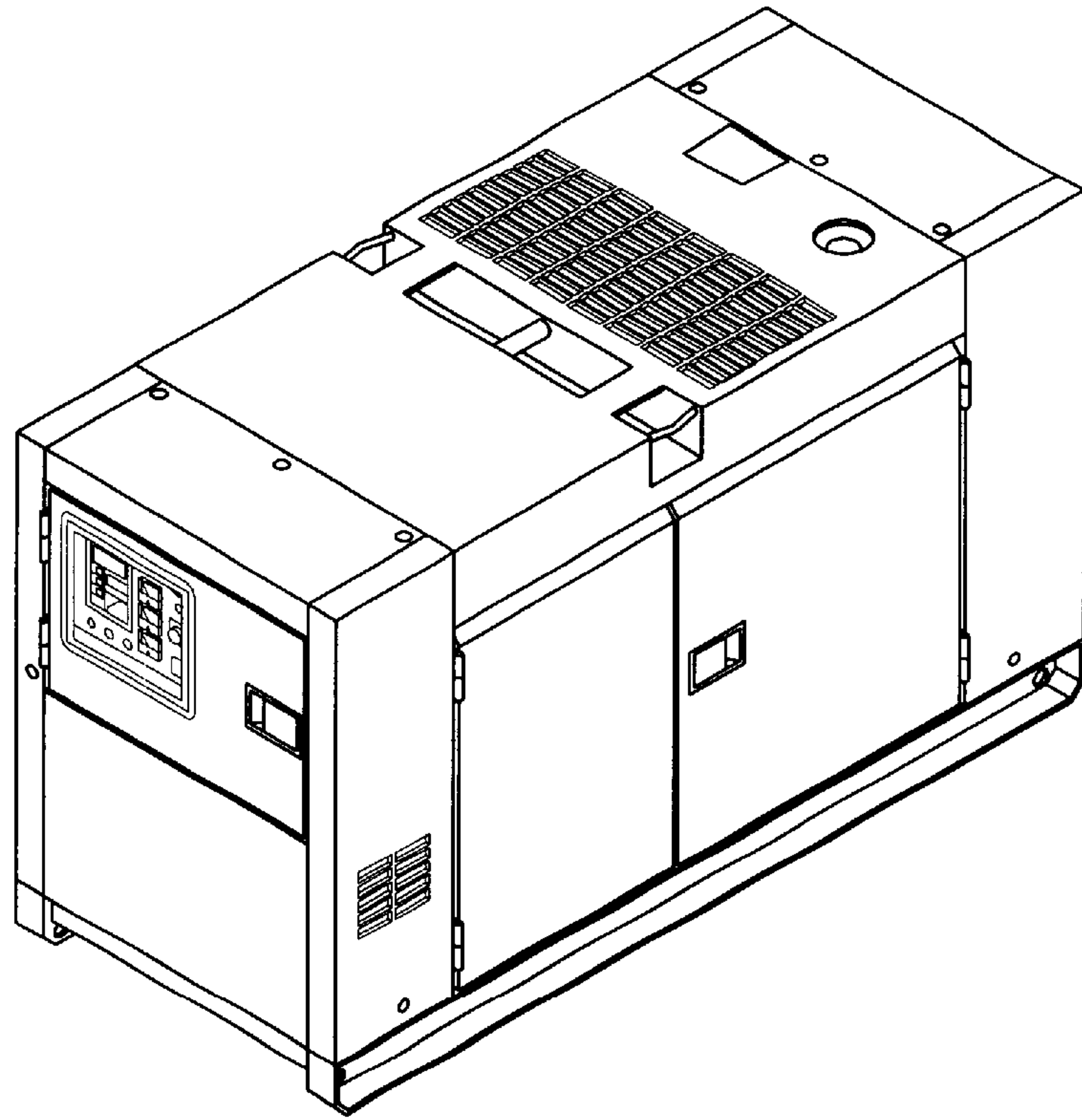


FIG. 8

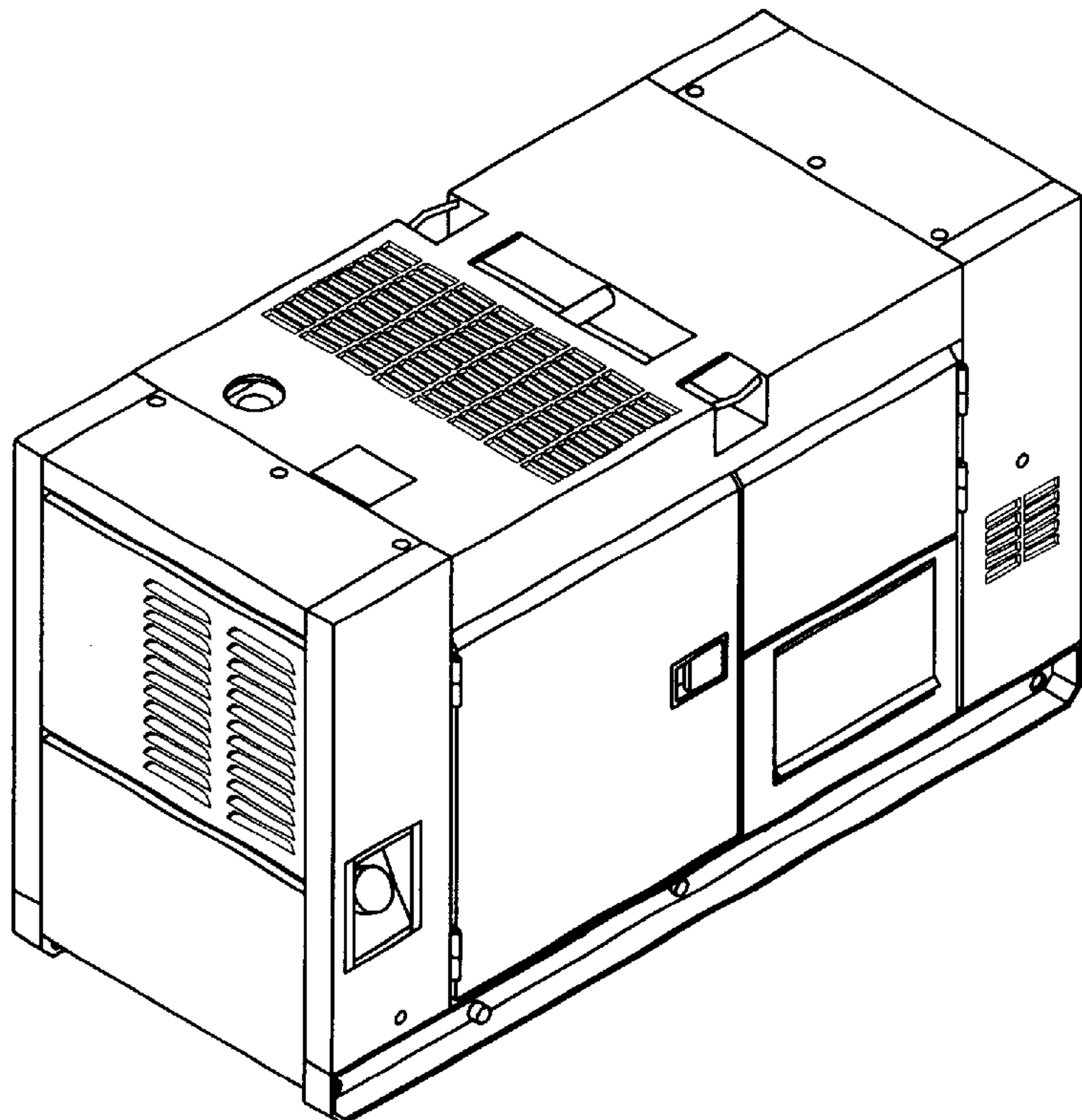




FIG. 9

